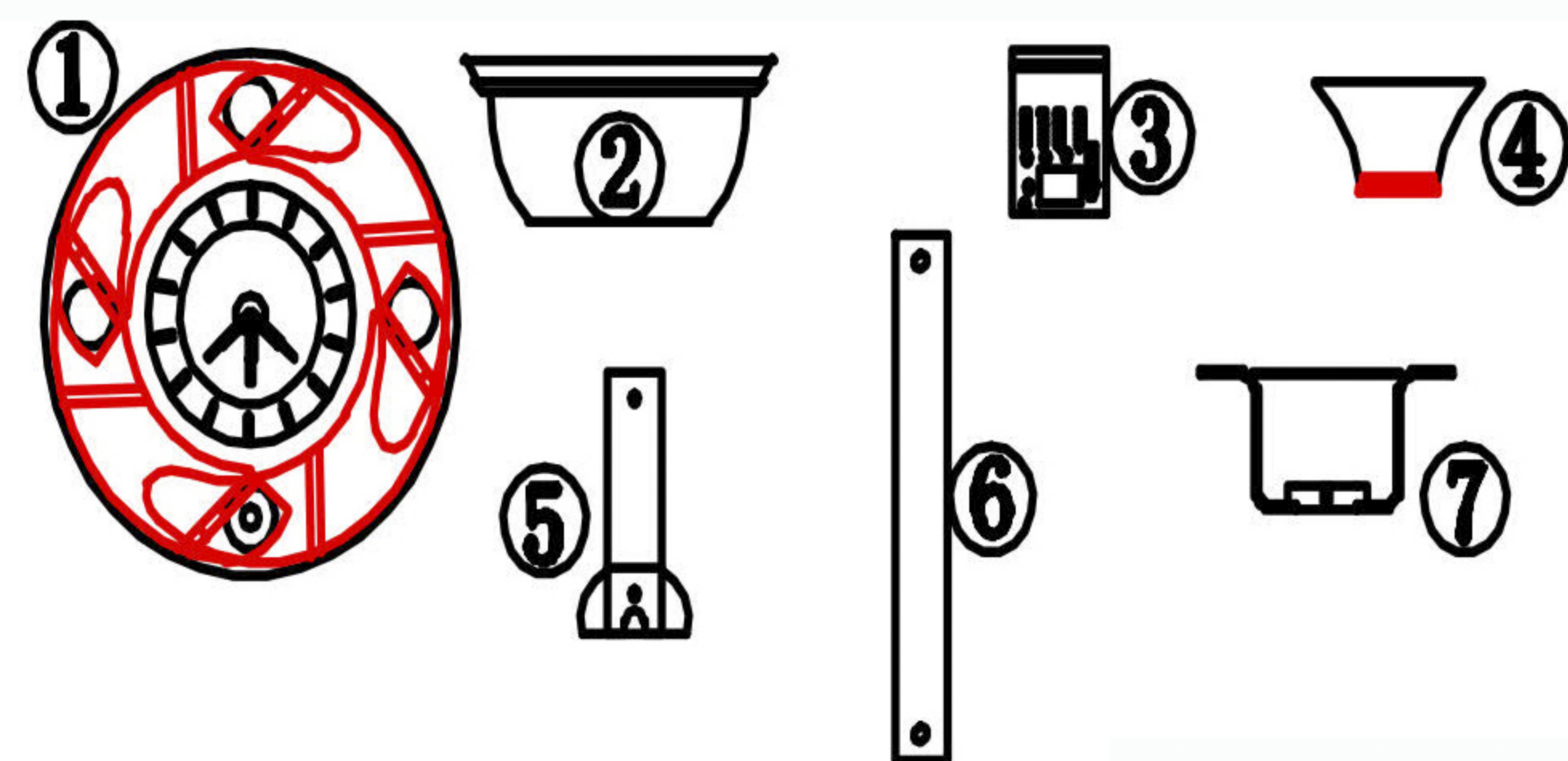
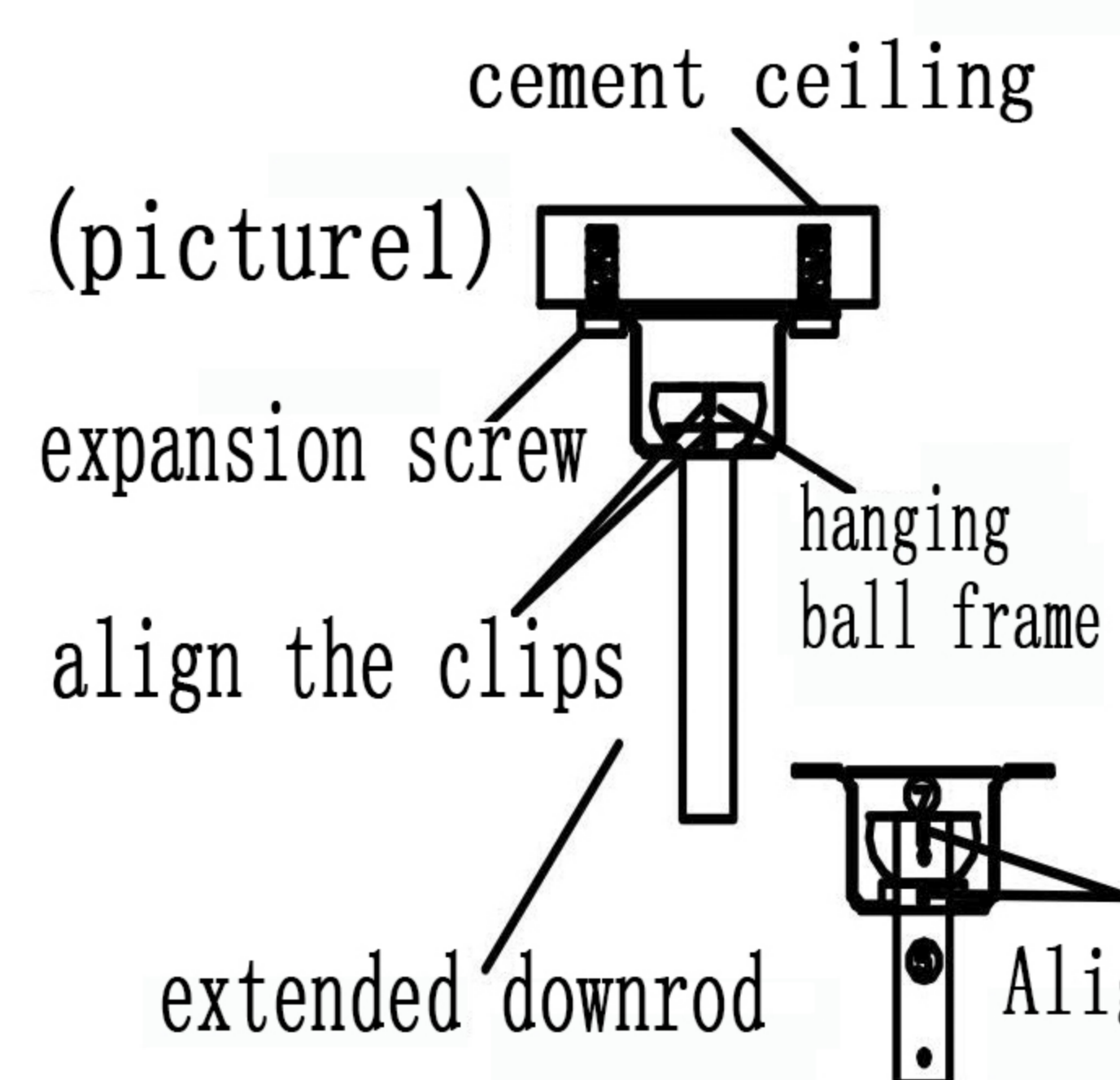


1. Components of ceiling fan

- ①the motor ②the canopy ③Package of screws
- ④Motor cover ⑤10cm downrod with components
- ⑥Downrod ⑦Mounting bracket



2. Fasten the mounting bracket



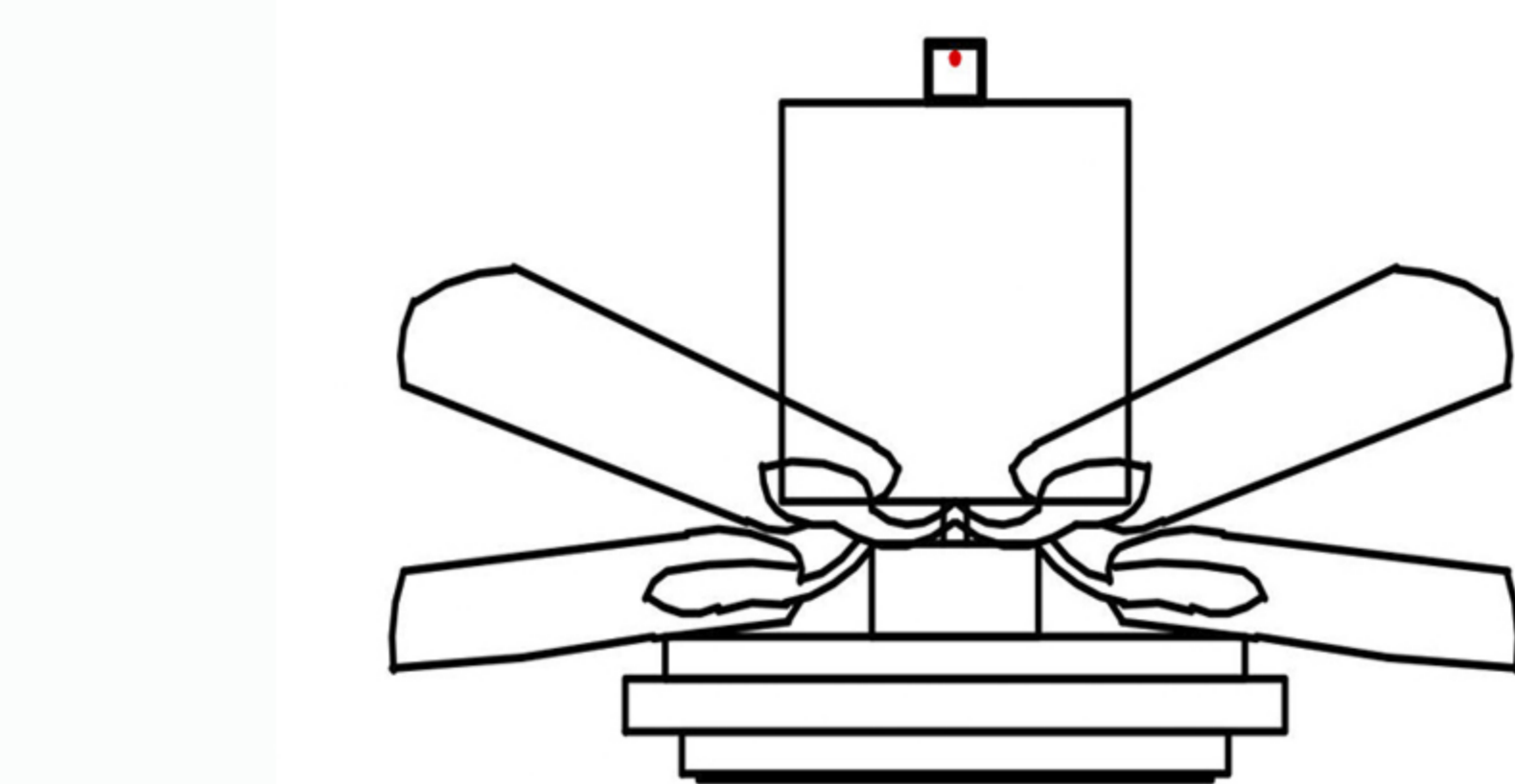
1. For concrete ceiling, please drill on the ceiling first, and then drill the expansion screws into the holes. lift the mounting bracket to the ceiling and align the holes and fasten it with the nuts. (see picture1)

2. For wooden ceiling, please lift the mounting bracket to the ceiling and fasten it with the self-tapping screws provided in the package of screws. (see picture2)

WARNING!
In order to avoid accident, only the mounting bracket matched with the ceiling fan shall be installed and used. When the installation is done, the mounting bracket shall withstand force more than 60kg.

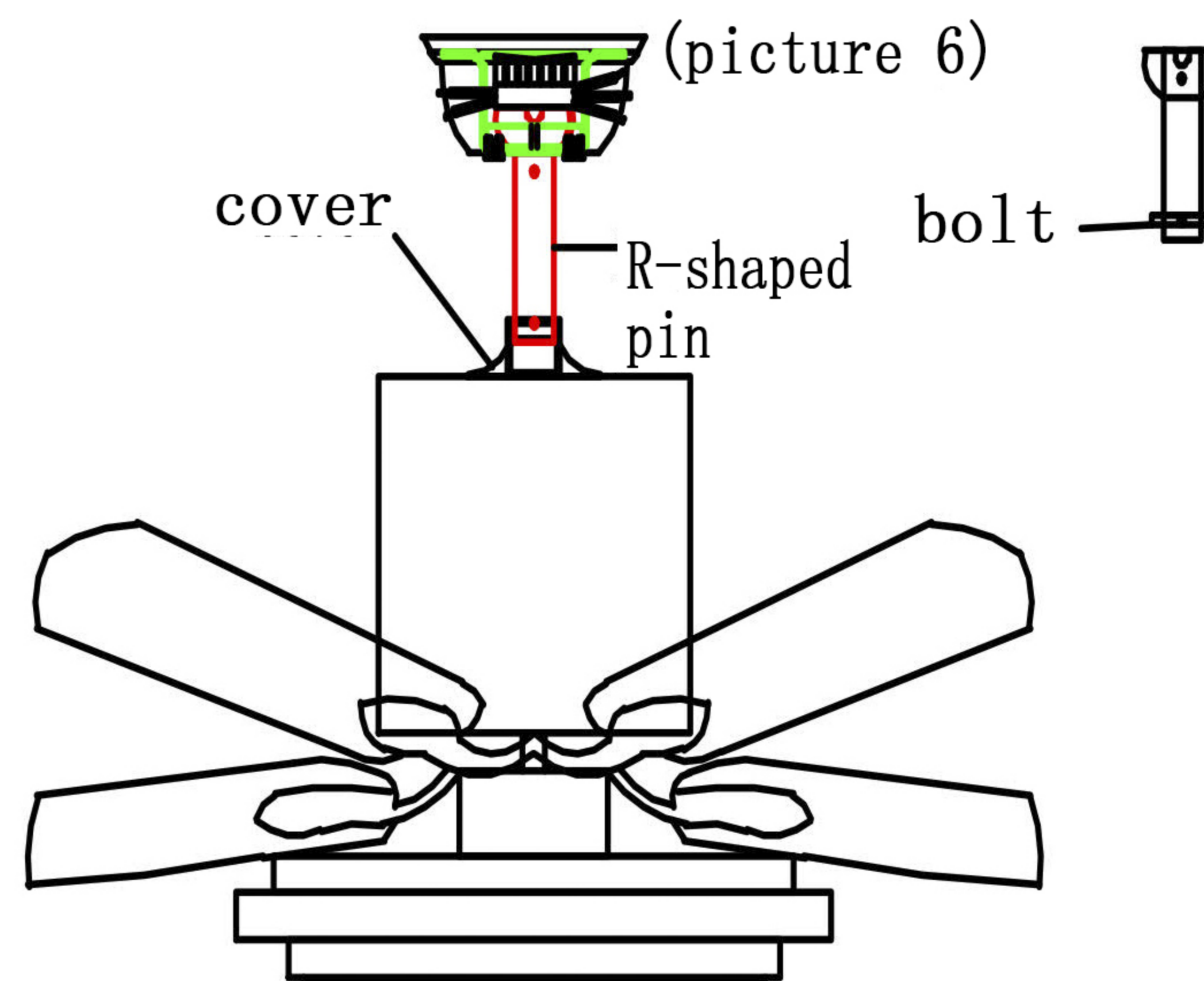
3. Installation of lamps

1. First, unscrew 5 screws and screw off 1 screw on the base of motor, then connect the lamps and the motor (4 screws of the motor shall be through 4 keyholes of the lamp), rotate counterclockwise until another hole is aligned with the screw hole. At last, fasten all the screws. (See picture & picture 5)

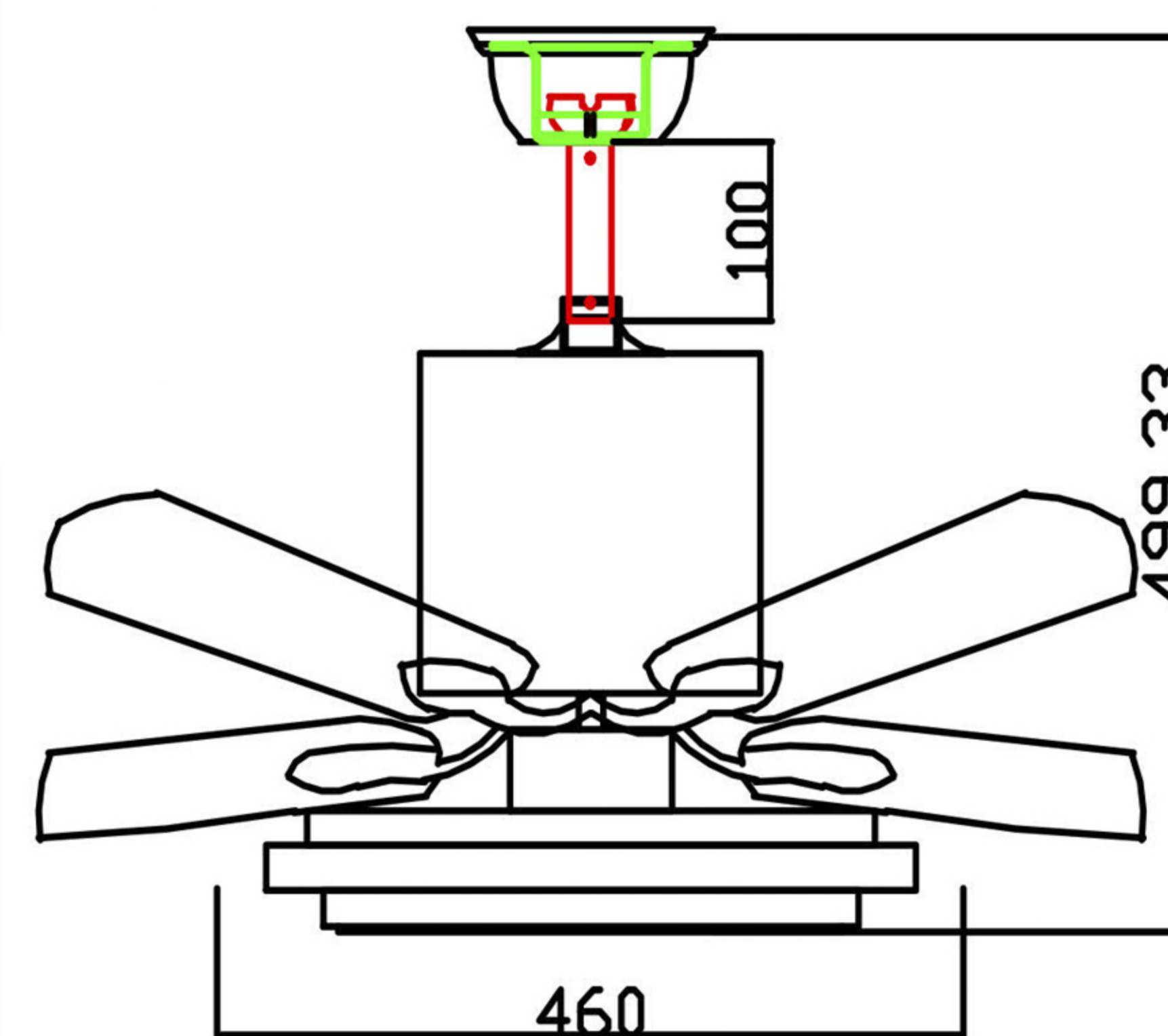
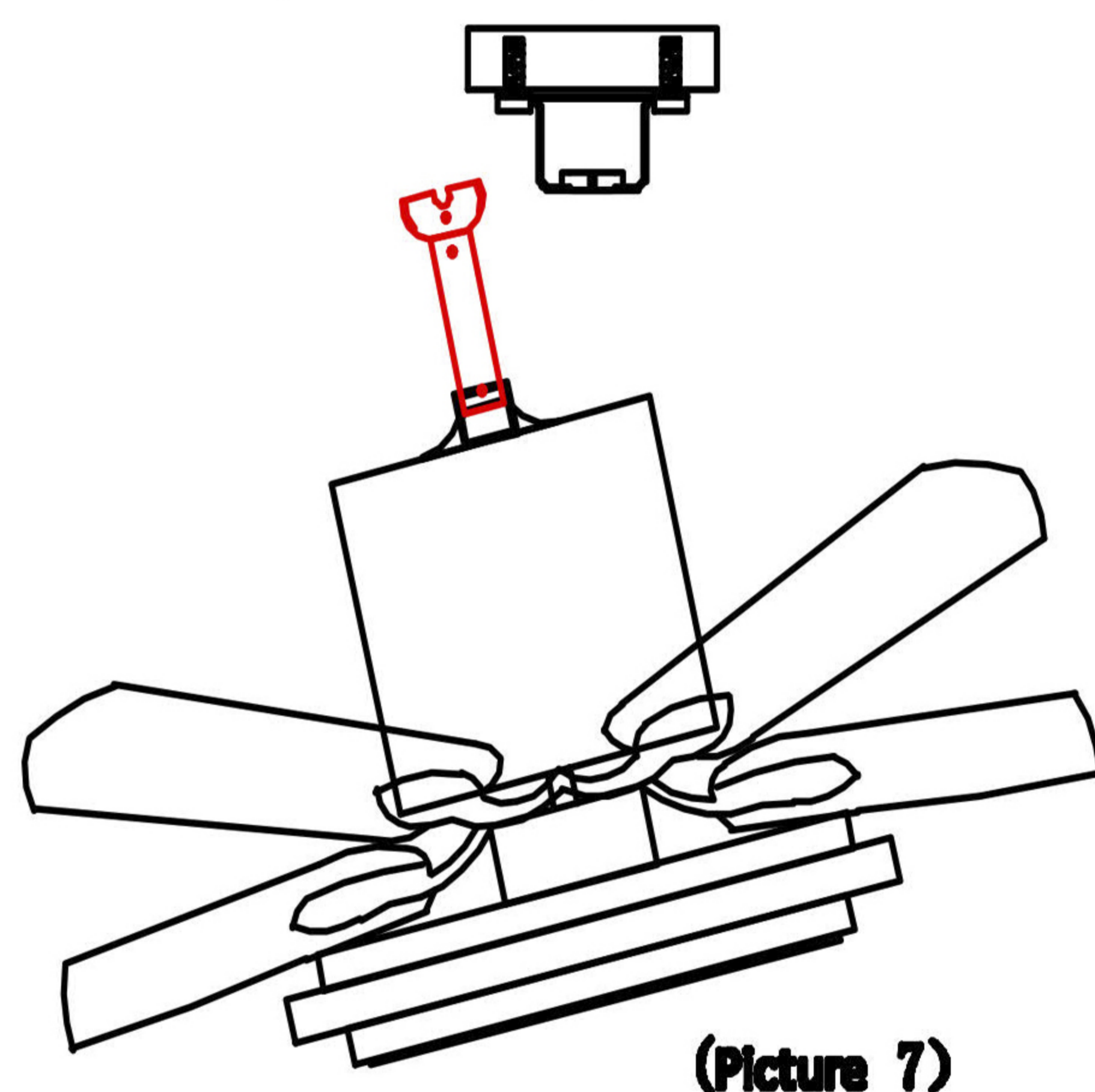


4. Installation of suspension system

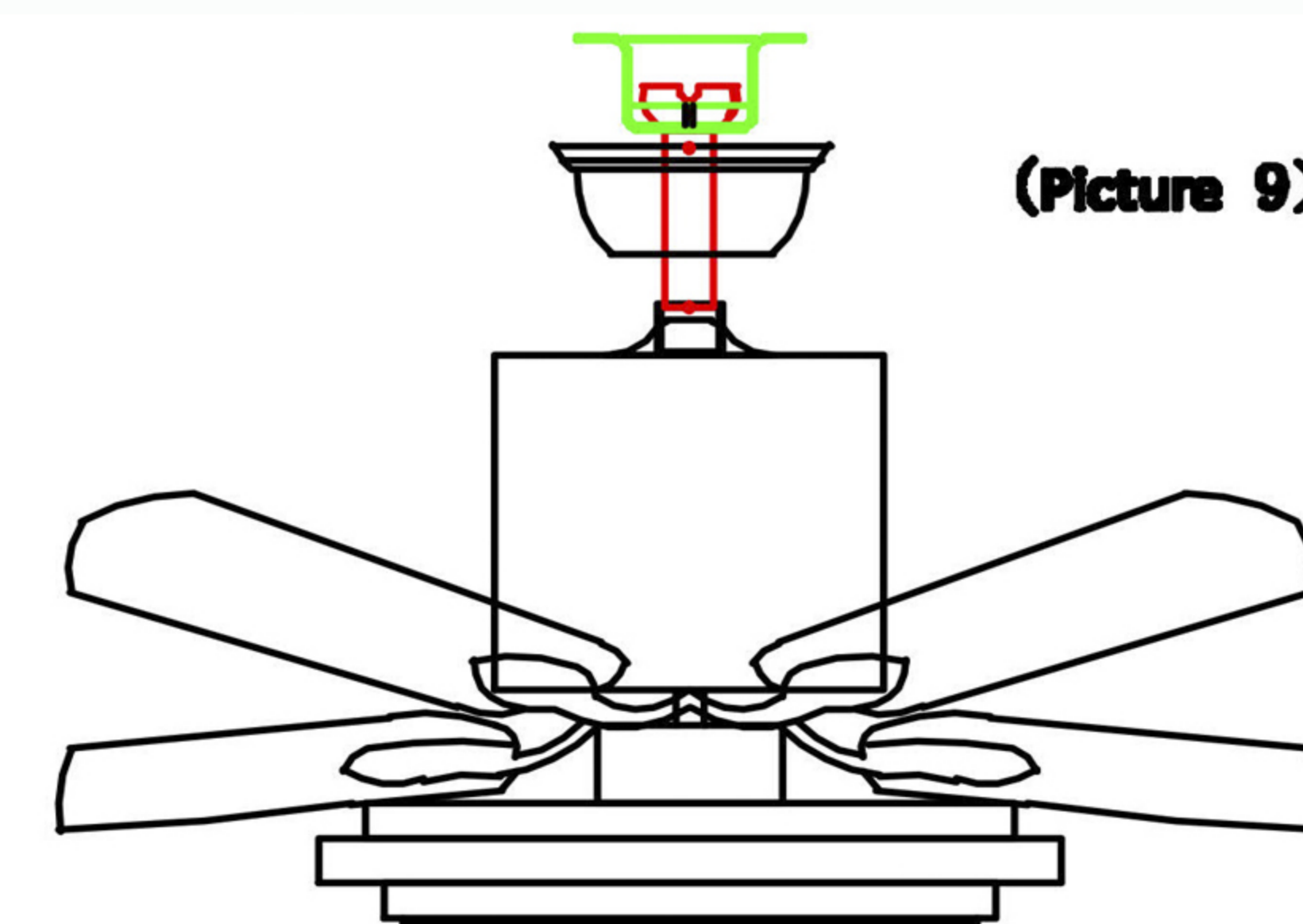
1. Put the downrod through the canopy and the cover. Then fix the downrod into the motor and align the holes, fix in the bolt and put R-shaped pin through the hole, and fasten the screws on the side of the motor. (see picture6)



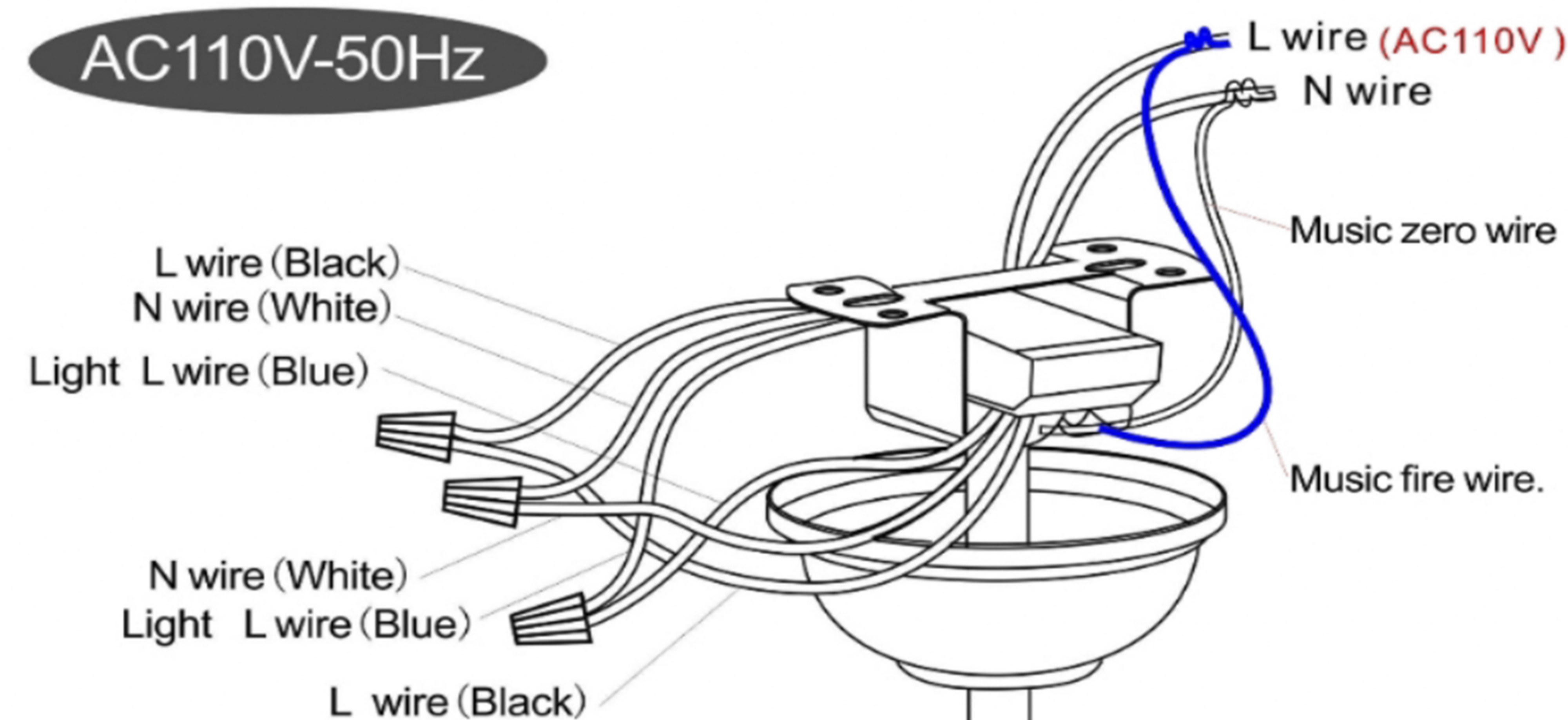
2. Put the ceiling fan on the mounting bracket and slowly rotate the ceiling fan until the slot position of hanging ball is at the correct place. (See picture 7&8)



3. Install the fan blades and lift the canopy (two screws of the mounting bracket shall be through the two keyholes of the canopy), rotate into place and fasten the screws. (See picture9)



AC110V-50Hz



After wiring, attach the canopy to the hanger bracket by pushing up and twisting to locate screws in key holes then tighten screws securely.

5. Installation of lamp cover

1. Screw off 4 screws on the lamp panel and align the holes of lamp cover and lamp panel, then fasten 4 screws. (See picture10)

