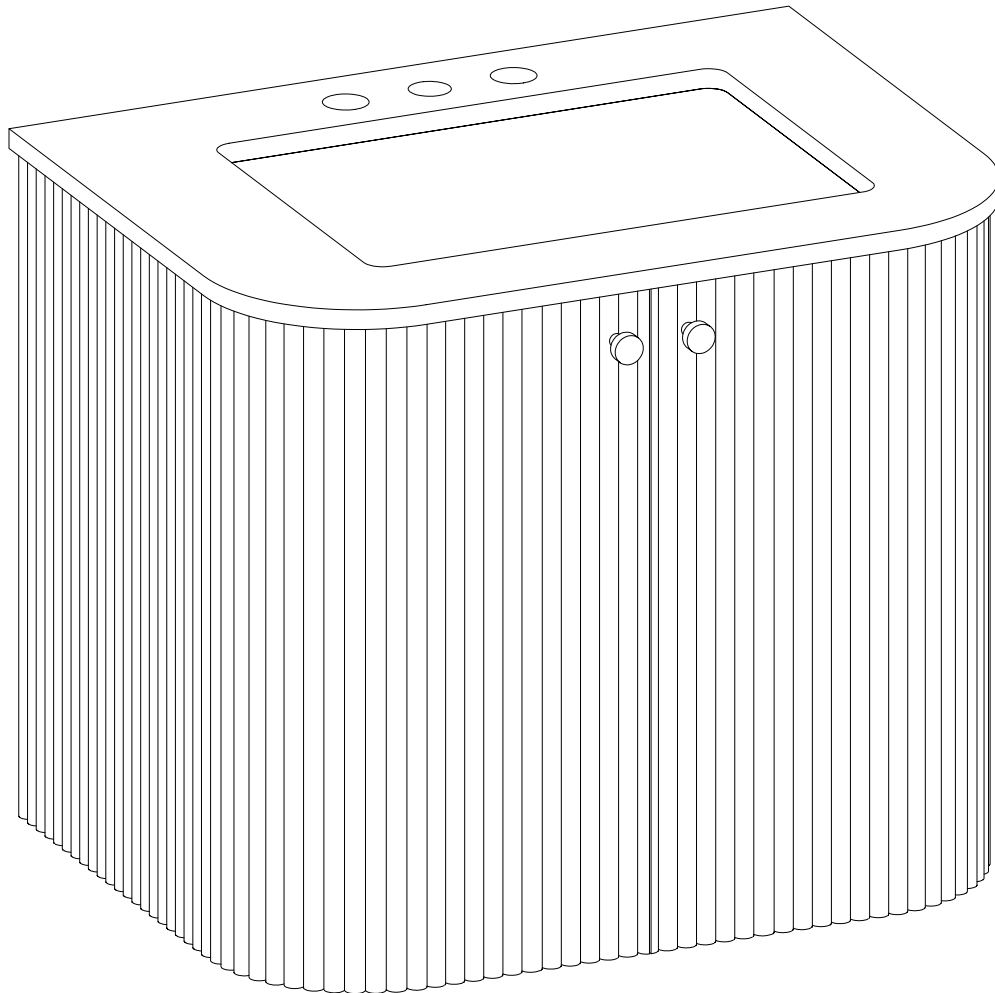


ASSEMBLY INSTRUCTIONS

EEI-7204/7205

V0.25.10.24



Questions? Contact us!

609.256.9000 • cs@modway.com
www.modway.com

***modway**

Let's get started!

*modway



Read through all of the instructions before starting



Care instructions are listed in the last step of this manual



Approx. 30 minutes assembly time



Make sure you have all parts and components before discarding any packing materials



2 people recommended for assembly

Only use hand tools to assemble this item. Do not use power tools. Do not tighten bolts or screws completely until all hardware is lined up and inserted into the holes.

Do not over-tighten screws and bolts to avoid stripping the hardware or cracking the item.

Assemble your item on a flat, carpeted area, with plenty of space to work. This will prevent damage and scratches to your floors or the item while you're assembling the product.

Keep all components and packaging out of reach of children or animals to avoid risk of choking or suffocation.

Furniture components:

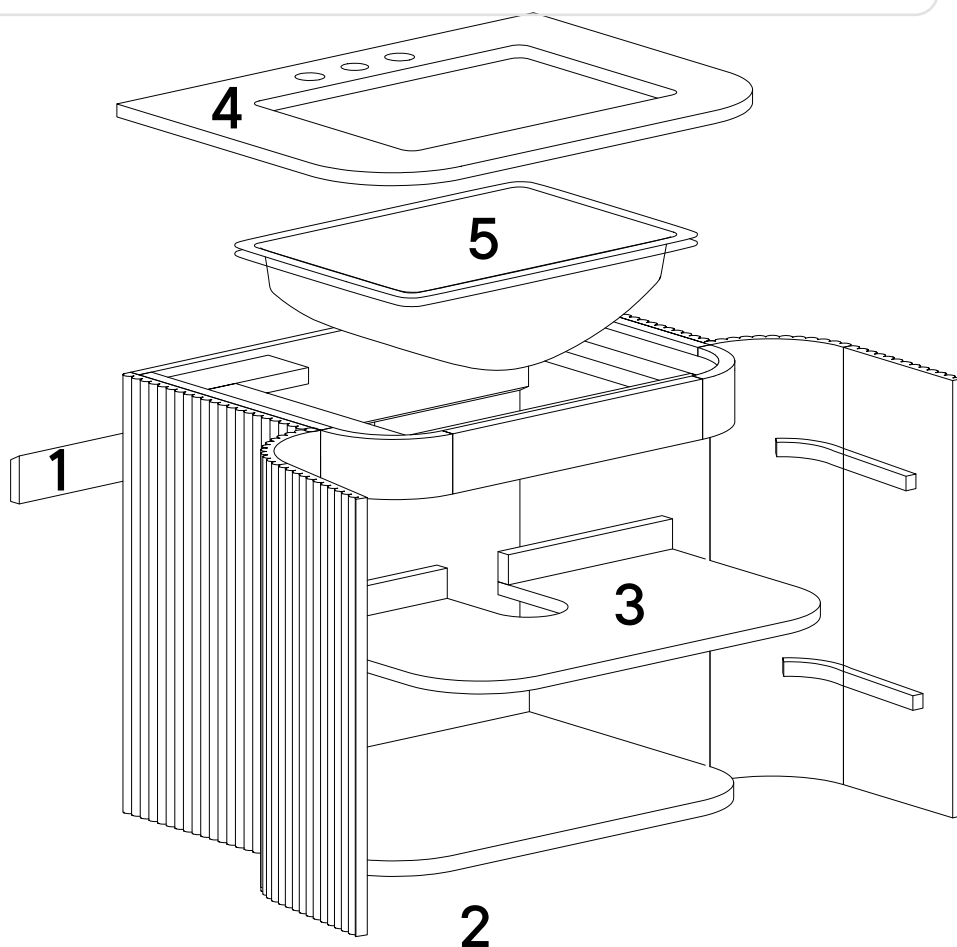
1	Wall mounting wooden cleat	x1
2	Vanity	x1
3	Shelf	x1
4	Top Marble	x1
5	Basin (Not Included)	x1

Provided hardware:

A	Plastic Anchor	x6
B	Screw M4 x 40mm	x6
C	Screw M4 x 25mm	x2
D	Shelf Pin	x4
E	Knob	x2

You may also need:

- + Power Drill
- + Level
- + Silicone Adhesive or caulk
- + Drywall Anchors and Screws
- + Other Wall-Mounting Hardware



Wait!

Missing parts or hardware? Need assistance?

Contact us before returning your item. We're here to help!
609.256.9000 • cs@modway.com

Step 1

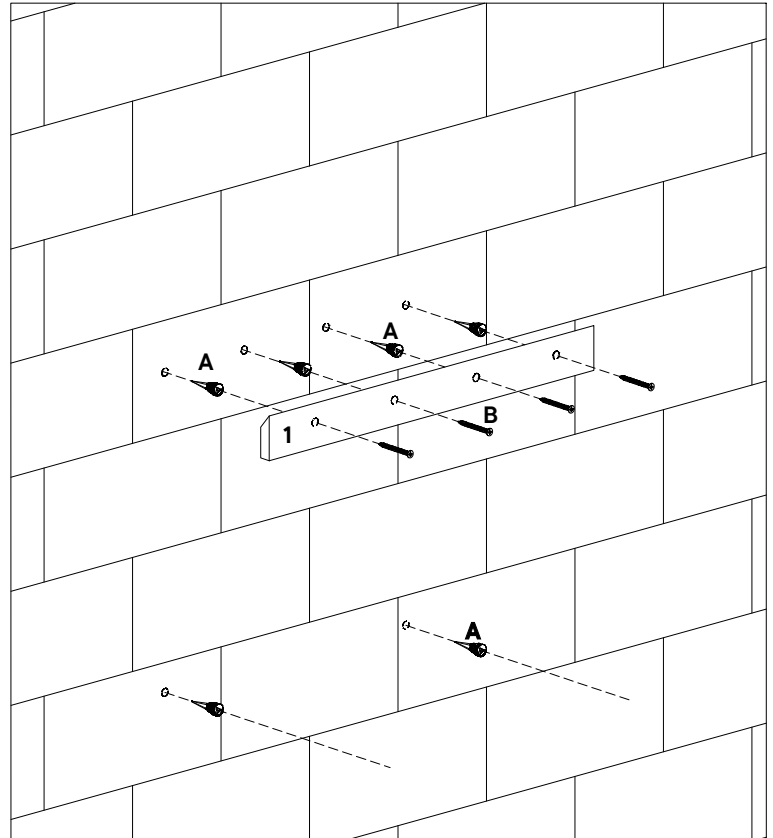
HARDWARE

- A** Plastic Anchor x6
- B** Screw M4 x 40mm x4

COMPONENTS

- 1** Wall mounting wooden cleat x1

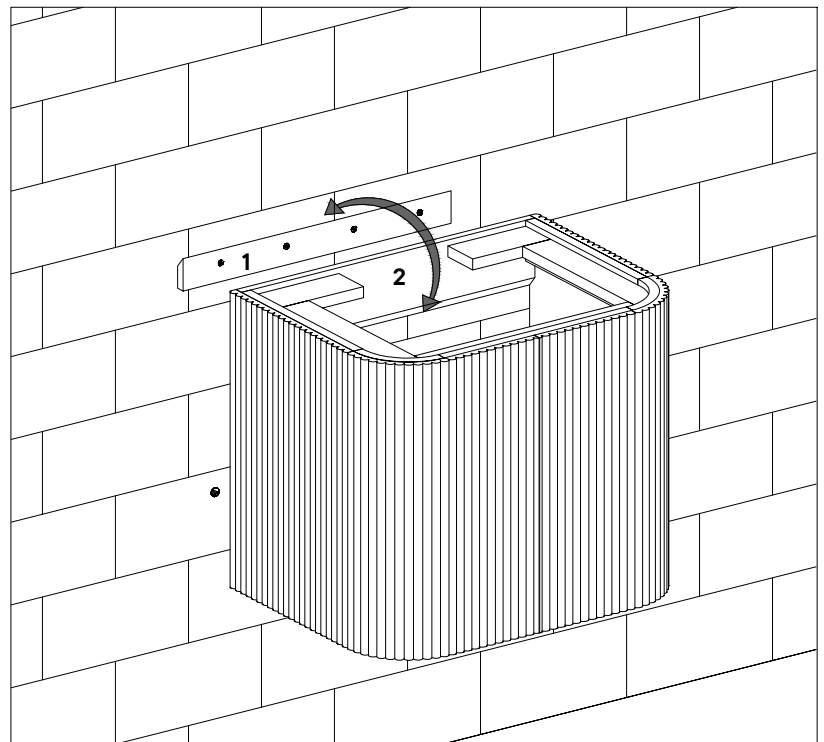
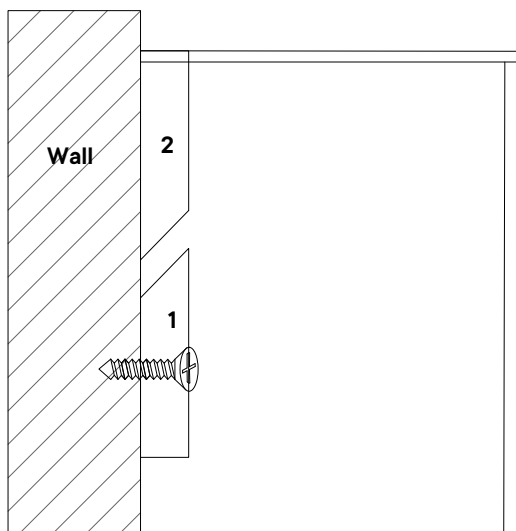
Note: Tools are not included.
MOUNTING THE CABINET TO THE WALL
 The cabinet may pose a danger if not properly mounted or secured to the wall.
 It is recommended to engage a professional installer.



Step 2

COMPONENTS

- 1** Wall mounting wooden cleat x1
- 2** Vanity x1



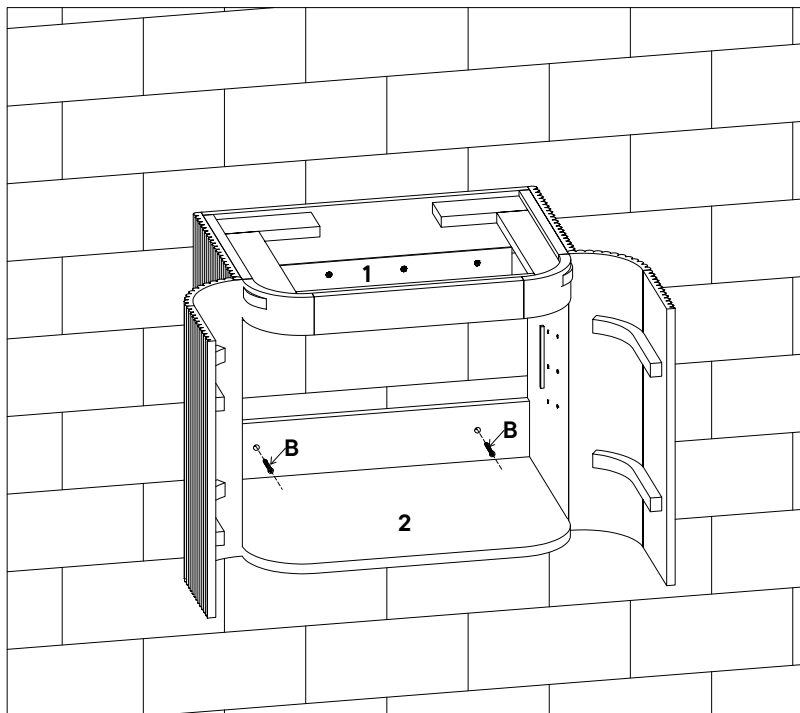
Step 3

HARDWARE

- B** Screw M4 x 40mm x2

COMPONENTS

- 1** Wall mounting wooden cleat x1
- 2** Vanity x1



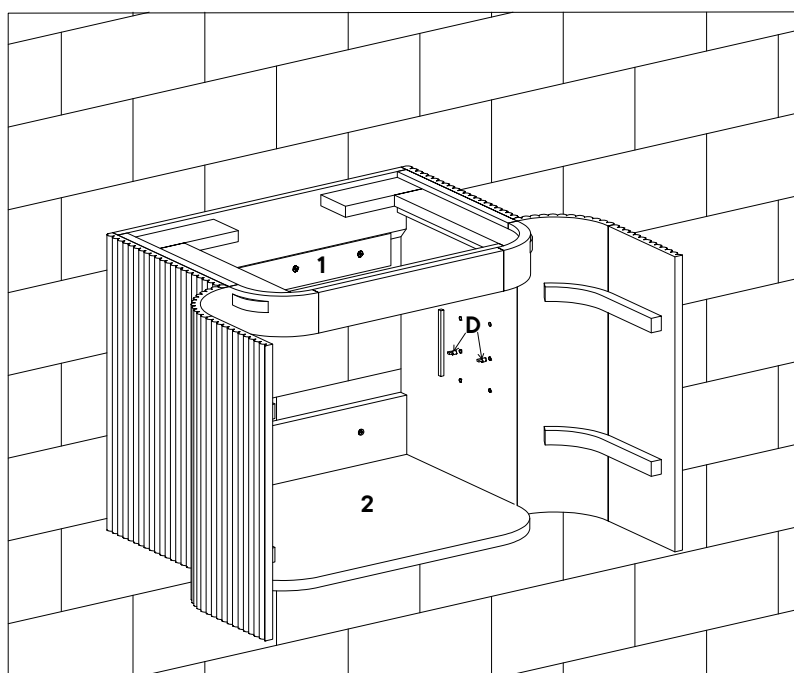
Step 4

HARDWARE

- D** Shelf Pin x4

COMPONENTS

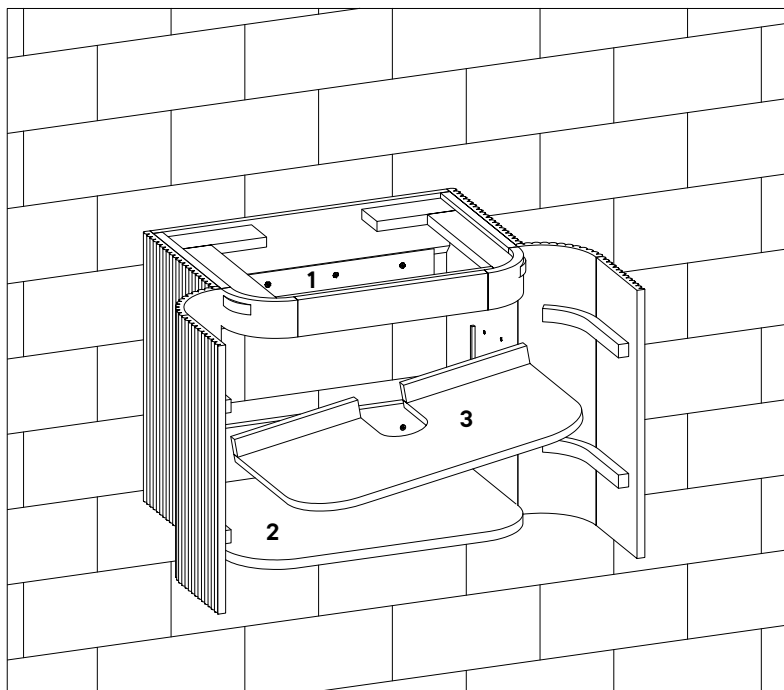
- 1** Wall mounting wooden cleat x1
- 2** Vanity x1



Step 5

COMPONENTS

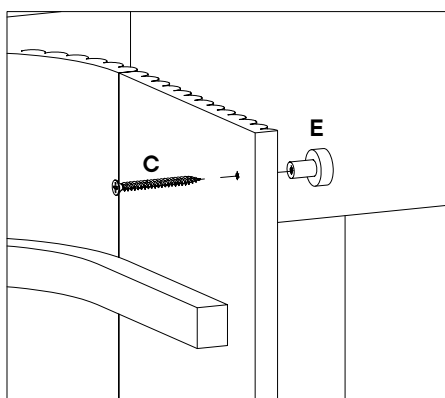
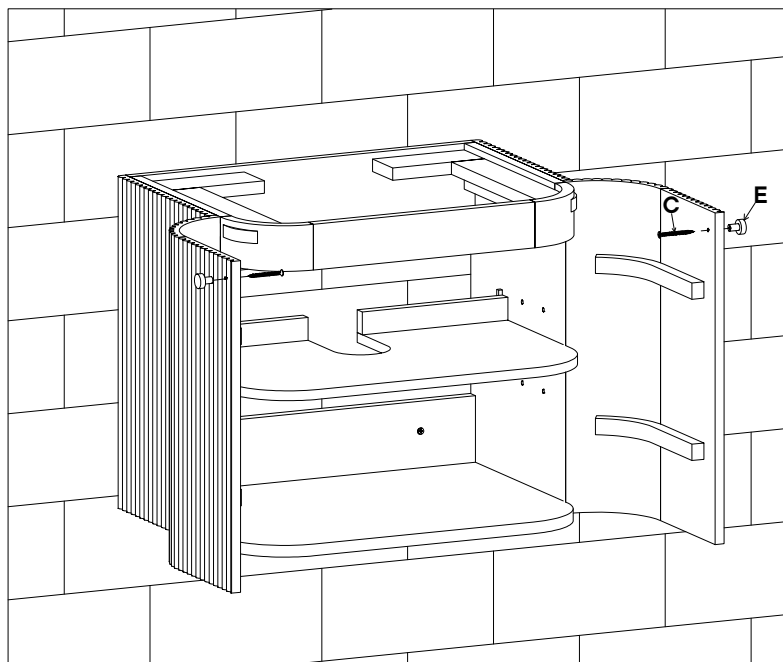
- ① Wall mounting wooden cleat x1
- ② Vanity x1
- ③ Shelf x1



Step 6

HARDWARE

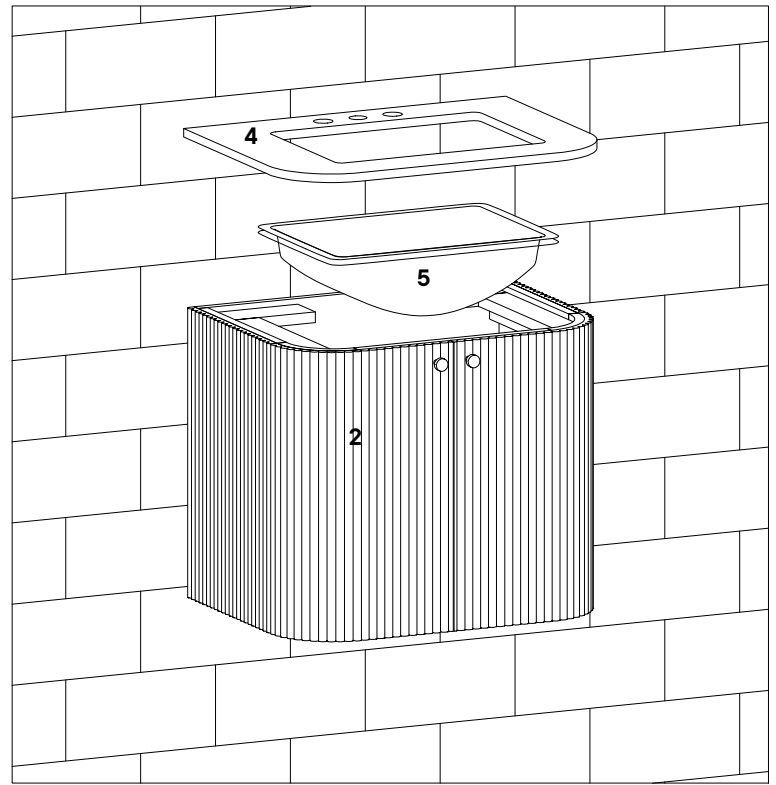
- Ⓔ Knob x2
- Ⓒ Screw M4 x 25mm x2



Step 7

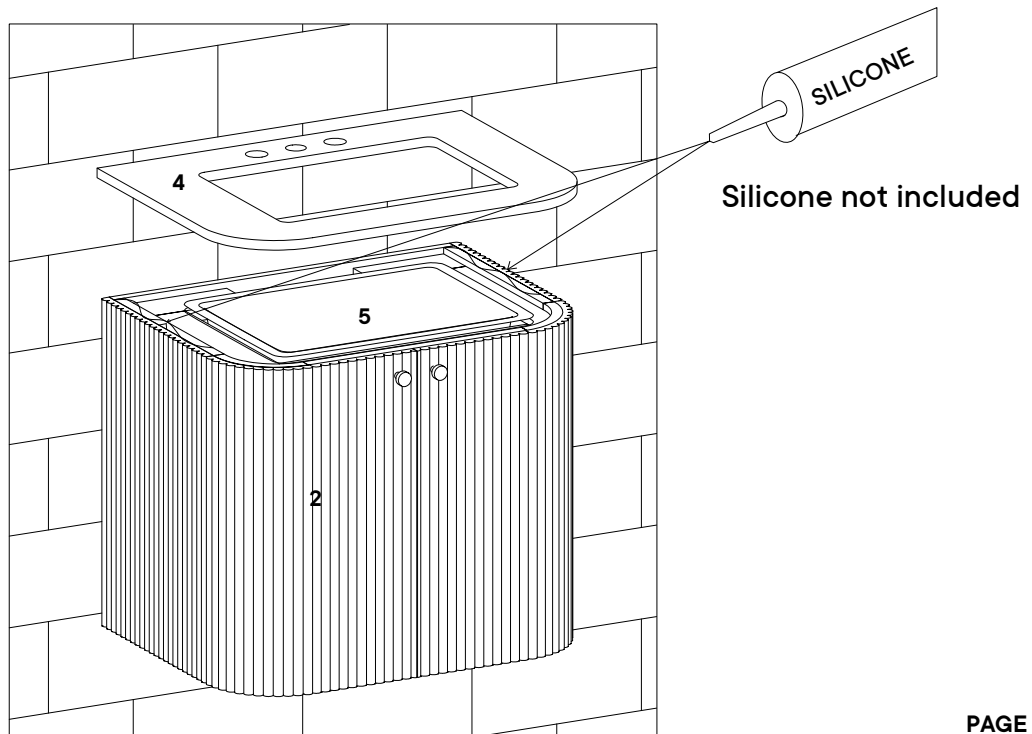
COMPONENTS

- 2 Vanity x1
- 4 Top Marble x1
- 5 Basin (Not Included) x1



Step 8

Apply a thin bead of silicone compound around the vanity base and set the vanity top carefully in place. Remove any excess silicone compound with a wet rag



Great job!

Vanity assembly is complete.

♥ CARING FOR YOUR ITEM

Depending on use, it may be necessary to tighten the hardware from time to time, so please save the tools that have been provided.

Not contract grade.

Clean using a non-abrasive cloth and a mild cleaner.

CONNECT WITH US!   

Tag us [@modway_furniture](#) and [#modway](#) for a chance to be featured.

