

# INSTRUCTION MANUAL




## **Attention :**

If you encounter any problems during installation or use, pls feel free to contact us on shopping platform. We will provide you with a satisfactory solution within 24 hours.

# Dining chair

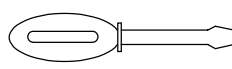
 1 - ITEMS DELIVERED-TECHNICAL DATA

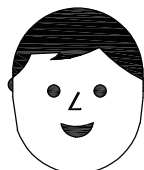
 2 - ASSEMBLY

 3 - CLEANING AND MAINTENANCE

 1 - ITEMS DELIVERED-TECHNICAL DATA


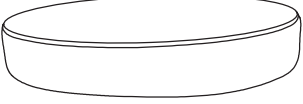

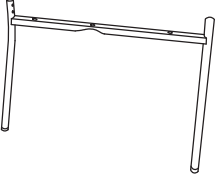

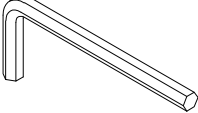
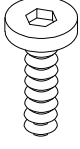
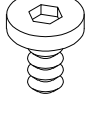
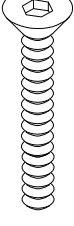
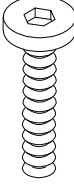

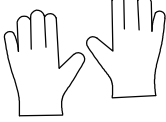


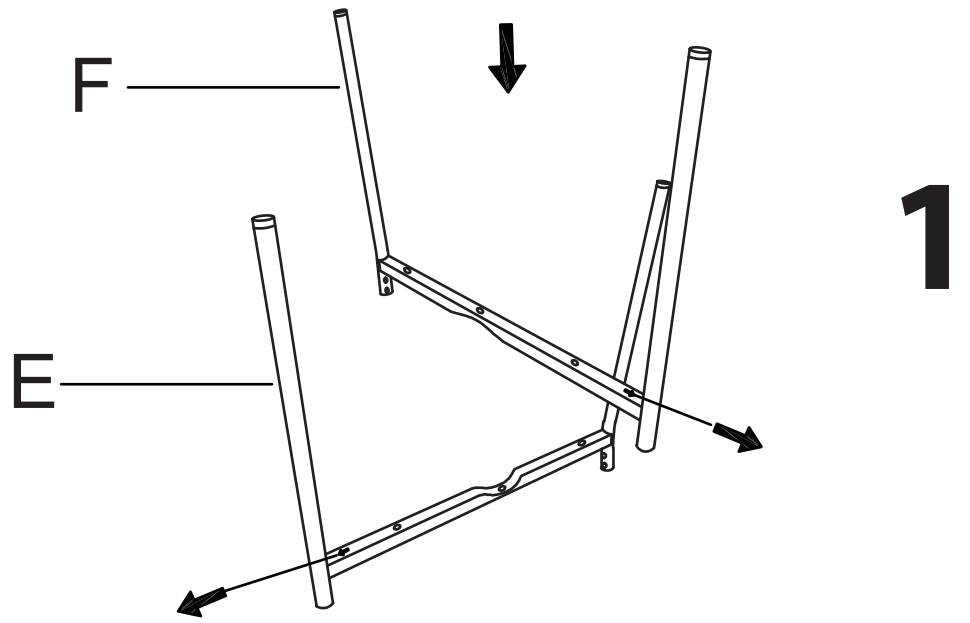
TO RISE  
  
YOURSELF

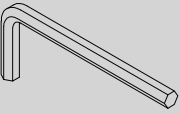
  
ASSEMBLY

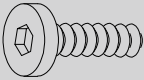


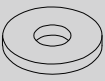
## 2 - ASSEMBLY

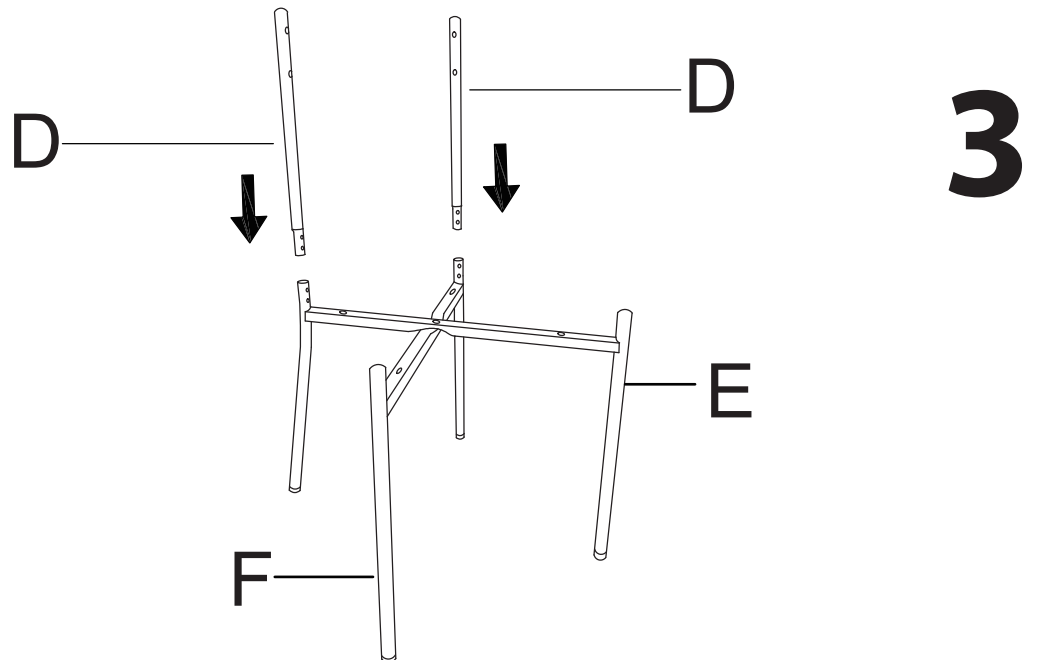
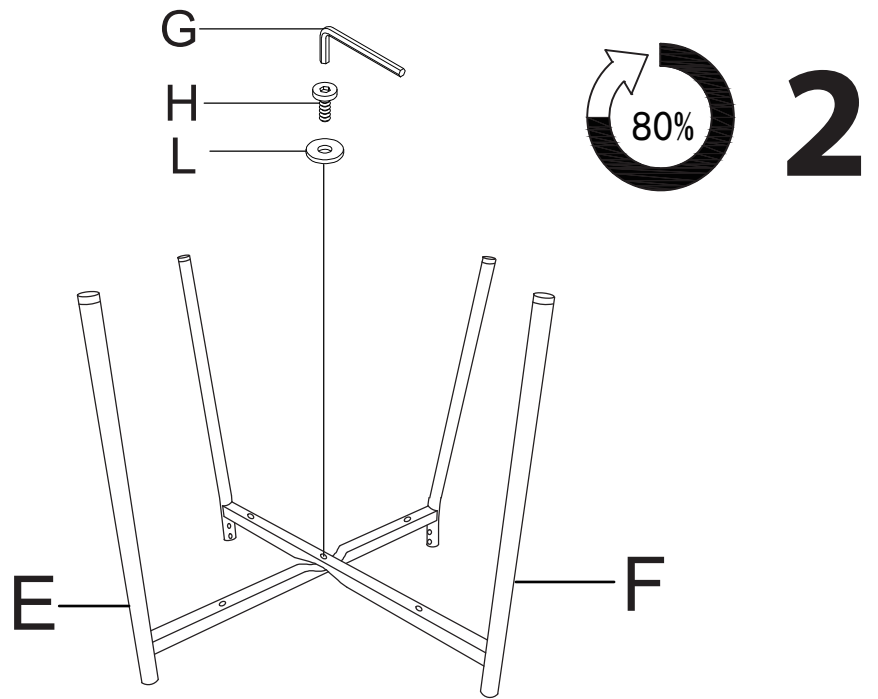
 <p>(A)*1</p>	 <p>(C)*1</p>
 <p>(D)*2</p>	 <p>(E)*1</p>
 <p>(F)*1</p>	 <p>(G)*1</p> <p>4#</p>
 <p>(H)*1</p> <p>M6*20</p>	 <p>(I)*4</p> <p>M6*13</p>
 <p>(J)*4</p> <p>M6*45</p>	 <p>(K)*4</p> <p>M6*35</p>
 <p>(L)*5</p> <p>ø6*ø16*1.5</p>	 <p>(M)*1</p>

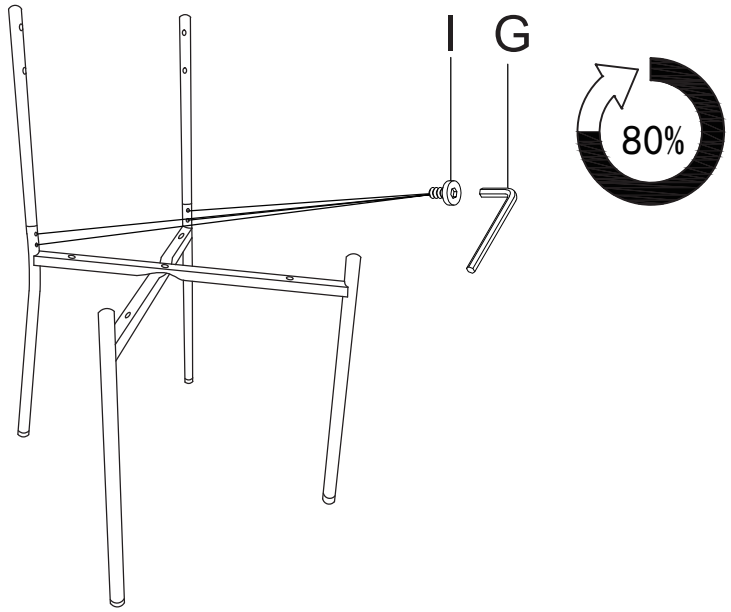
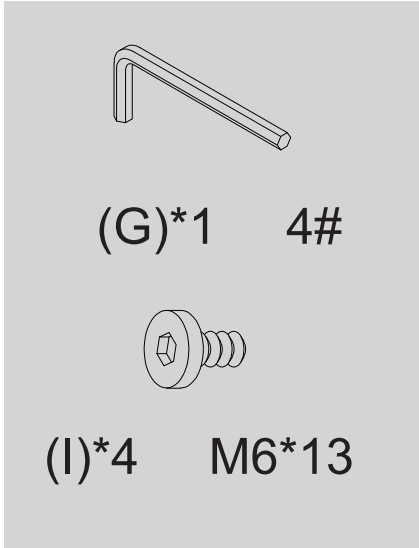


  
**(G)\*1 4#**

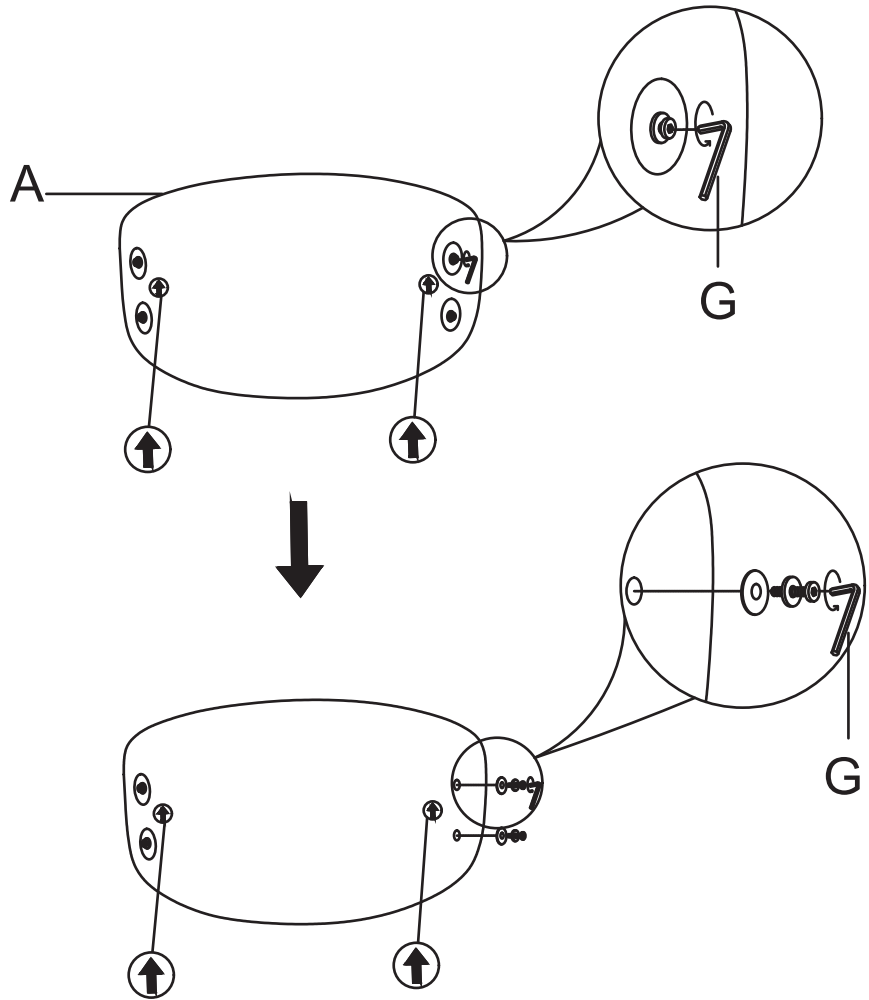
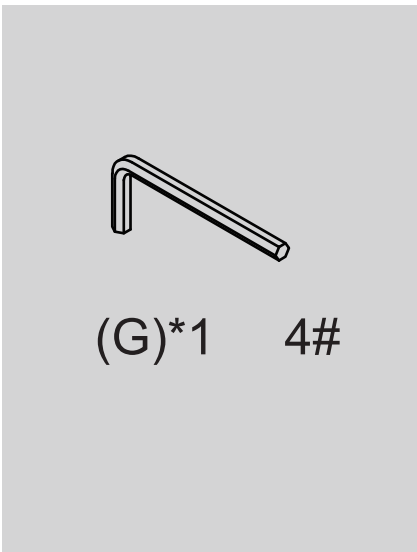
  
**(H)\*1 M6\*20**

  
**(L)\*1  $\varnothing 6 \times \varnothing 16 \times 1.5$**



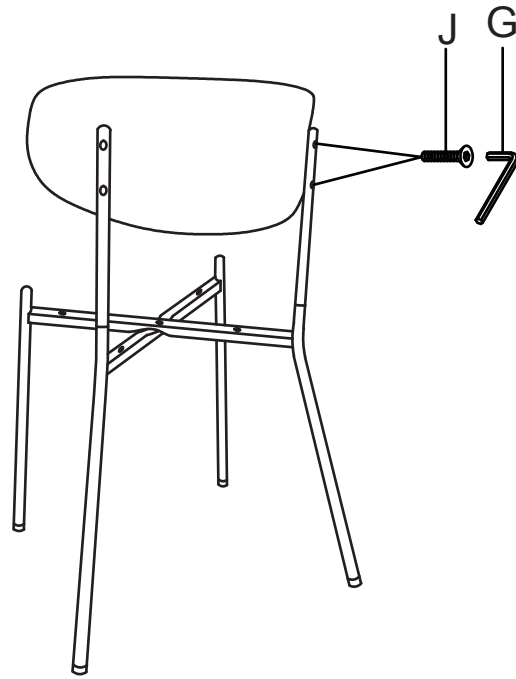
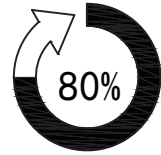


4

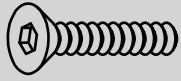


5

6

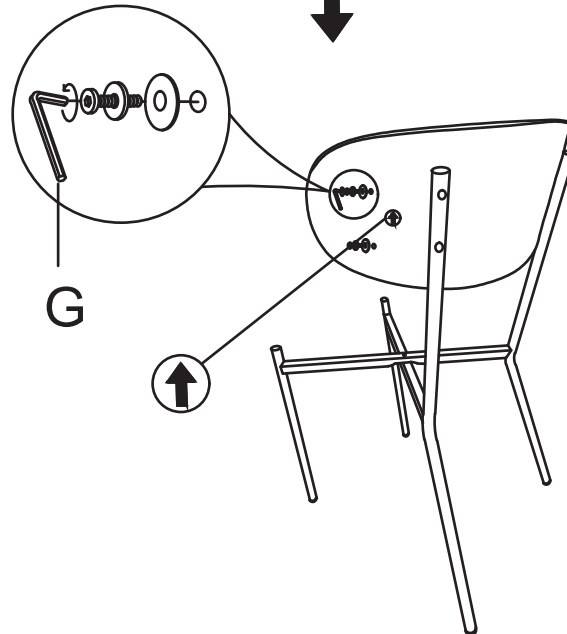
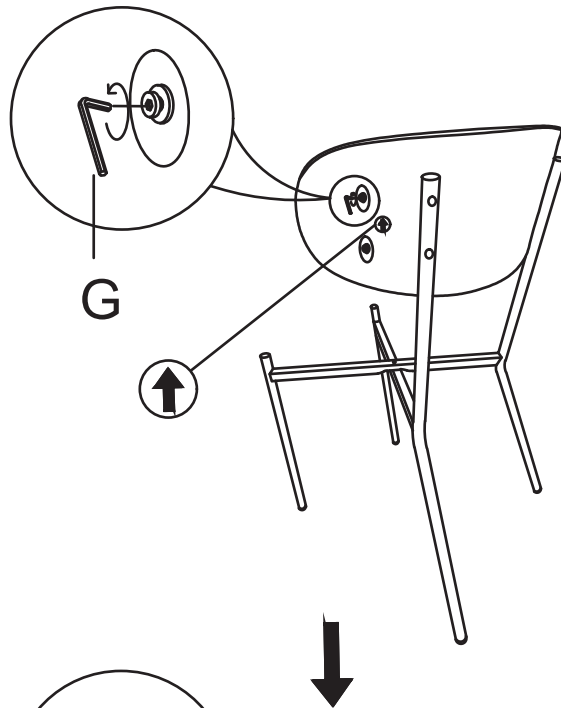


(G)\*1 4#



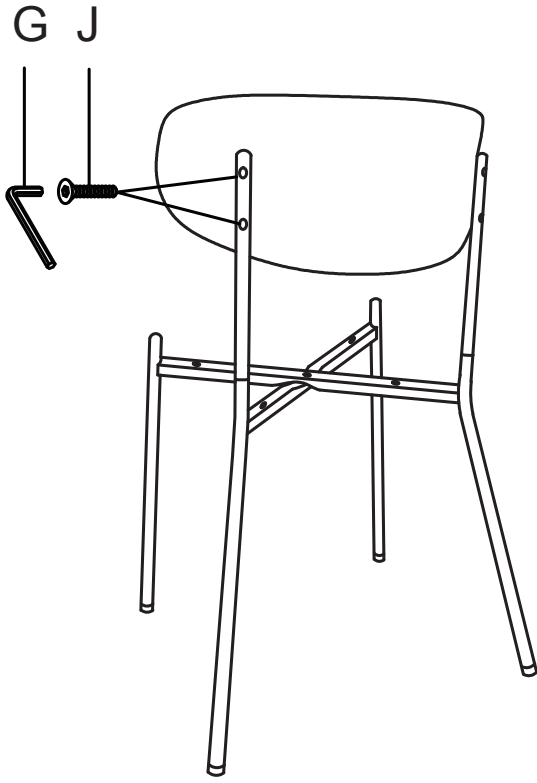
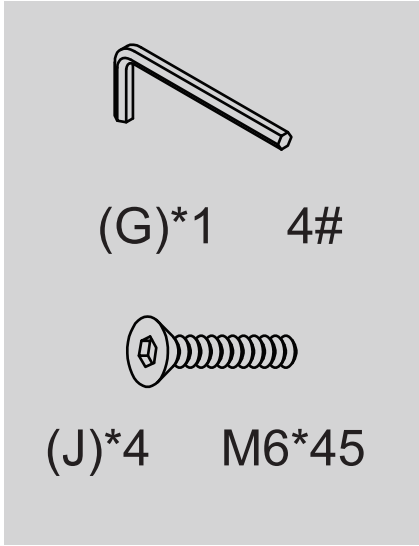
(J)\*4 M6\*45

7

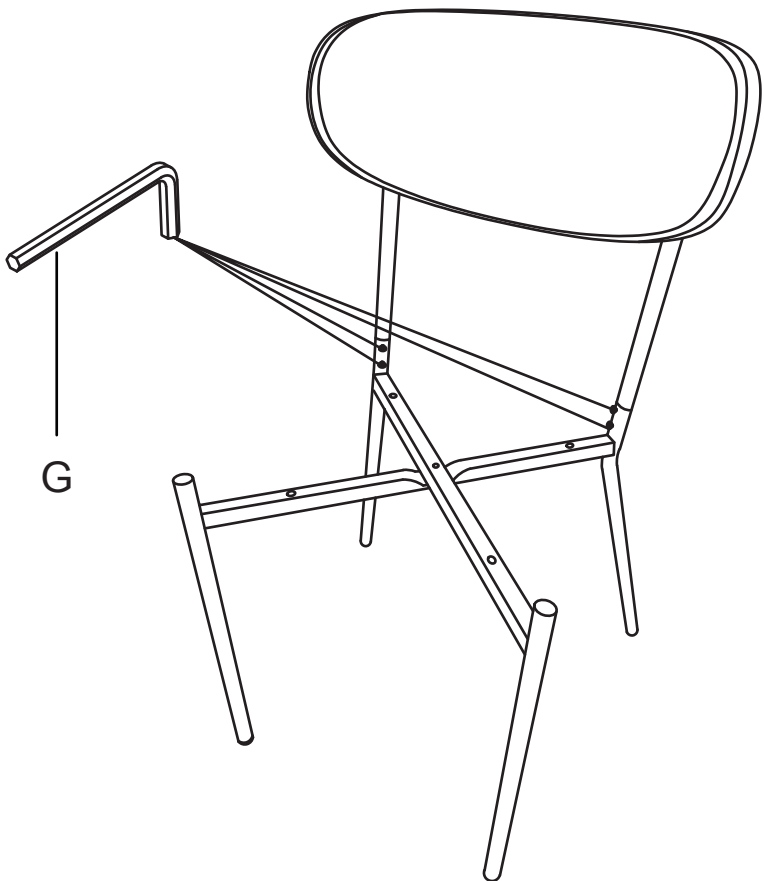
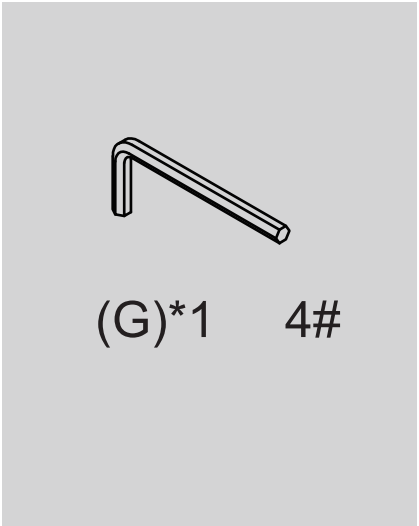


(G)\*1 4#

5



8

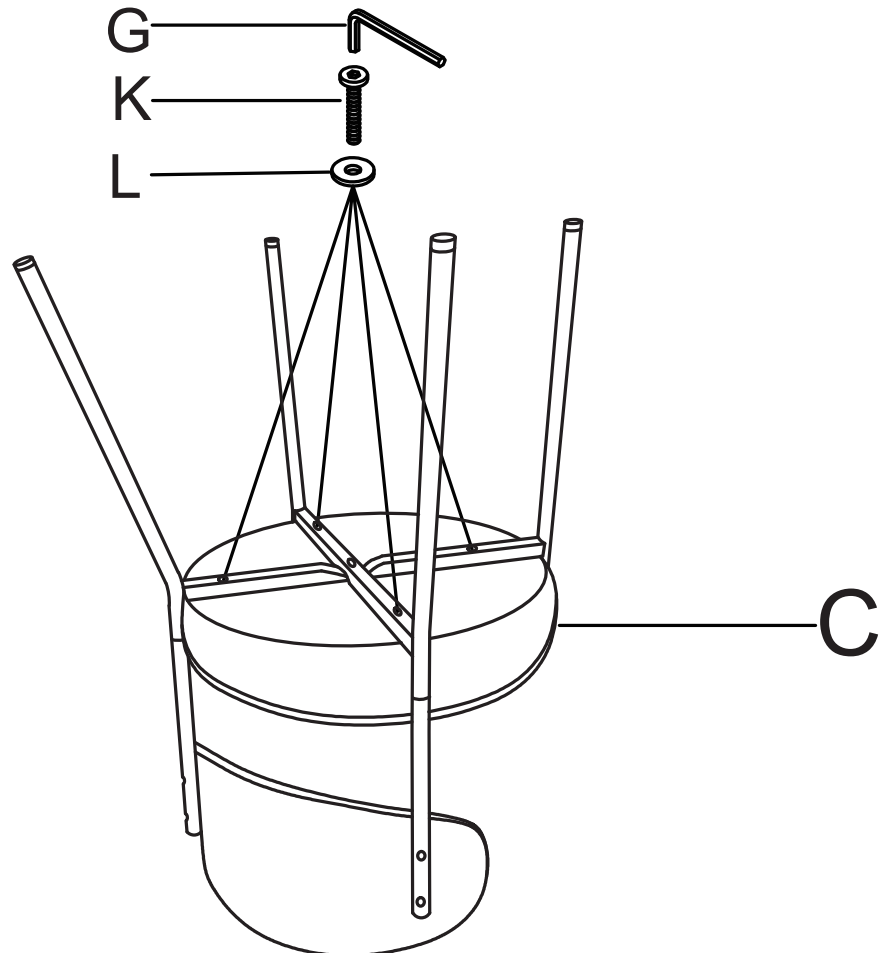
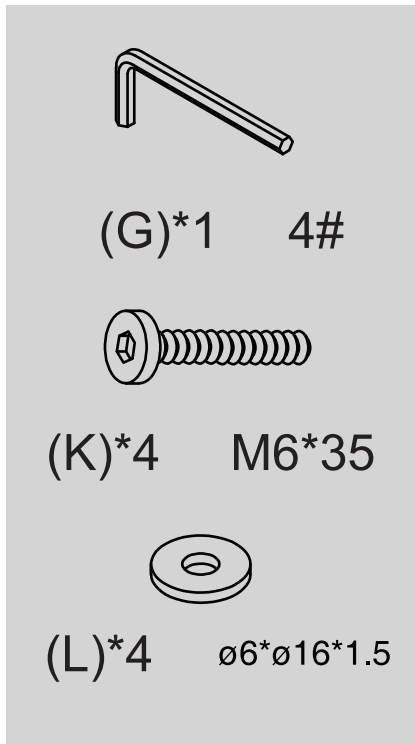


9



# 10

The final step is to assemble all screws 100%



### 3 - CLEANING AND MAINTENANCE

- Do not use corrosive or abrasive for cleaning products.
- Clean with a soft cloth
- Don't interfere with metal objects in a mechanism, so that they are threatened with serious deterioration.