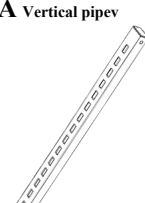

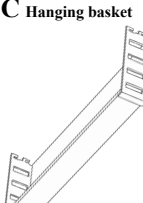

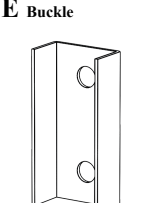
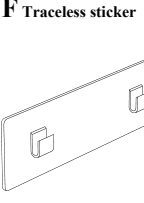
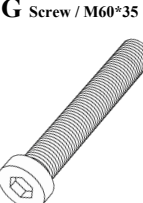
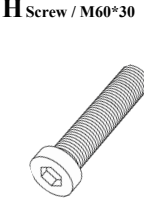
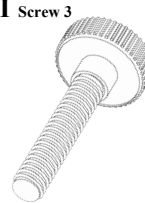
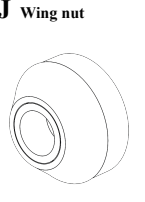
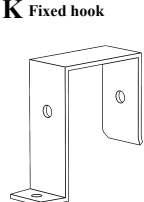
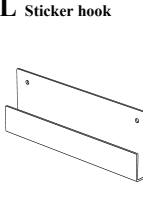
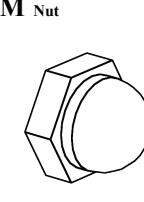
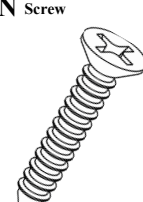
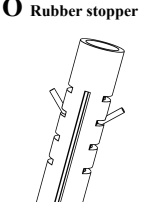
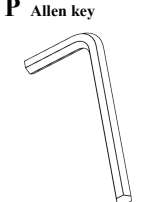



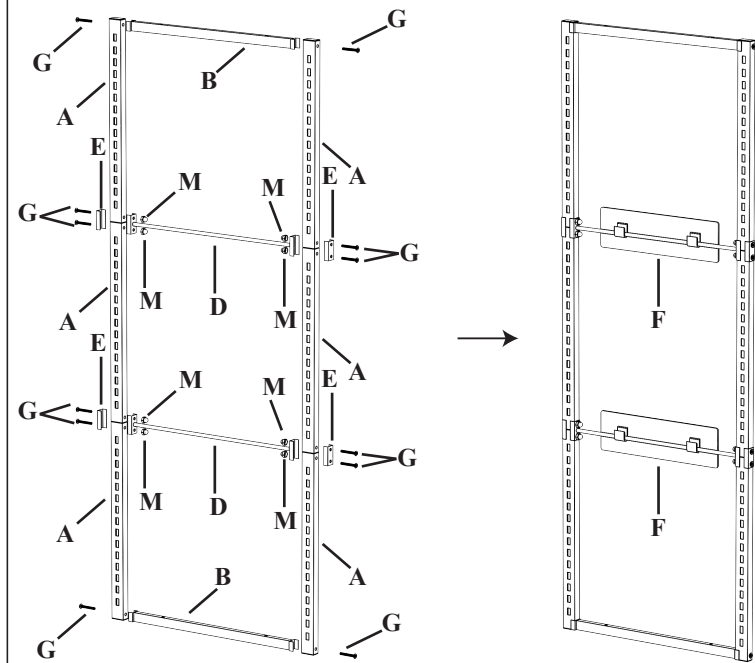
Accessories Details

A Vertical pipev  6 pcs	B Crossbar  2 pcs	C Hanging basket  6 pcs	D Fixed crossbar  2 pcs	E Buckle  4 pcs	F Traceless sticker  2 pcs	G Screw / M60*35  12 pcs	H Screw / M60*30  2 pcs	I Screw 3  2 pcs
J Wing nut  2 pcs	K Fixed hook  2 pcs	L Sticker hook  1 pcs	M Nut  10 pcs	N Screw  2 pcs	O Rubber stopper  2 pcs	P Allen key  1 pcs	Q Wrench  1 pcs	

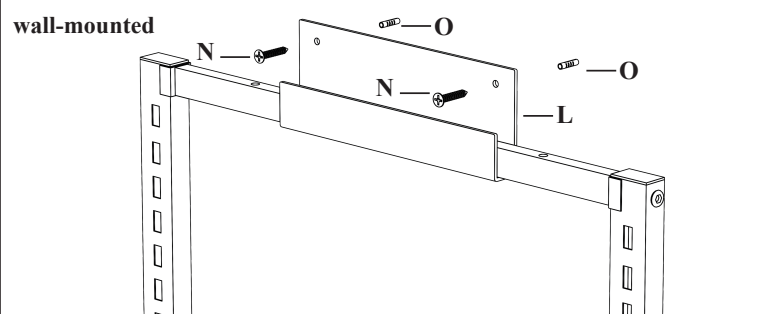
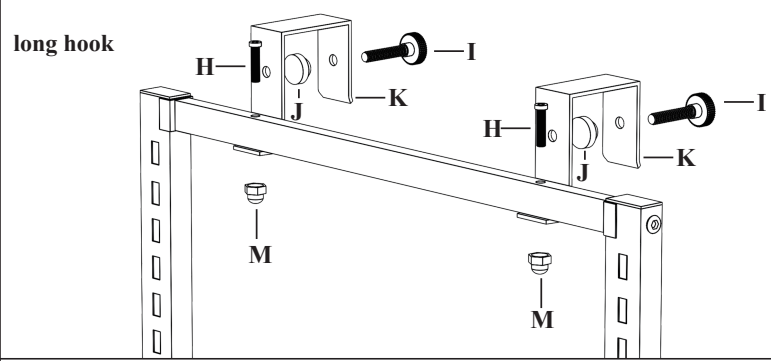
Installation steps

1 pcs

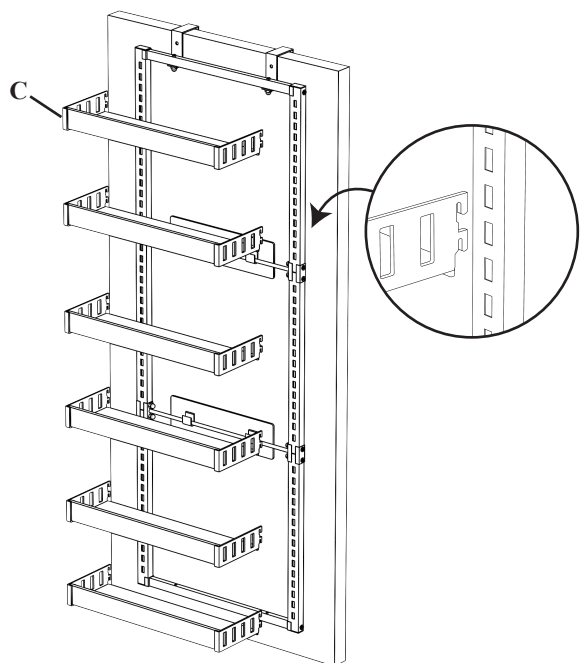
Step 1 Install the left and right brackets (A), connect them with (B) and (D), and lock them with (G), (E), and (M)



Step 2 Install (K) on (B) and lock and tighten (I)/(J) with (H)/(M)



Step 3 Install the hanging basket C on A



Step 4 Two installation methods, installation completed

