

how to set up

metal platform bed : 16"/18"

Full, Queen, King, Cal King

We are a global design company committed to bringing delight & ease to your everyday by creating fine quality home furnishing essentials that are user-centric in principle, innovative in function, conscious in sourcing and approachable in prices.

Whether you're a fresh graduate graduating the dorm life, a couple figuring out how to combine two homes, a work-from-homer or a 'home is exclusively for rest' kind of person, cares about you and is focused on making your moments at home just right.

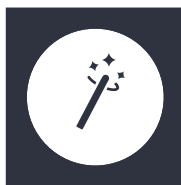
We travel around the world in search of ingenious industry experts and fine quality materials so that we can get you those thoughtfully-designed and consciously-made products essential to keeping it

MISSION

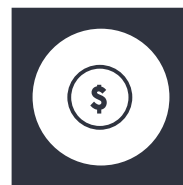
HOME DESIGNS MADE EASY



**free shipping
always**

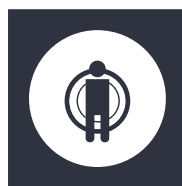


**ready & easy
to set up**

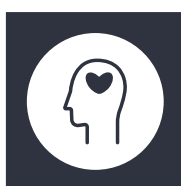


**accessible
price range**

DESIGNS MADE WITH YOU IN MIND



**human-centered
design**

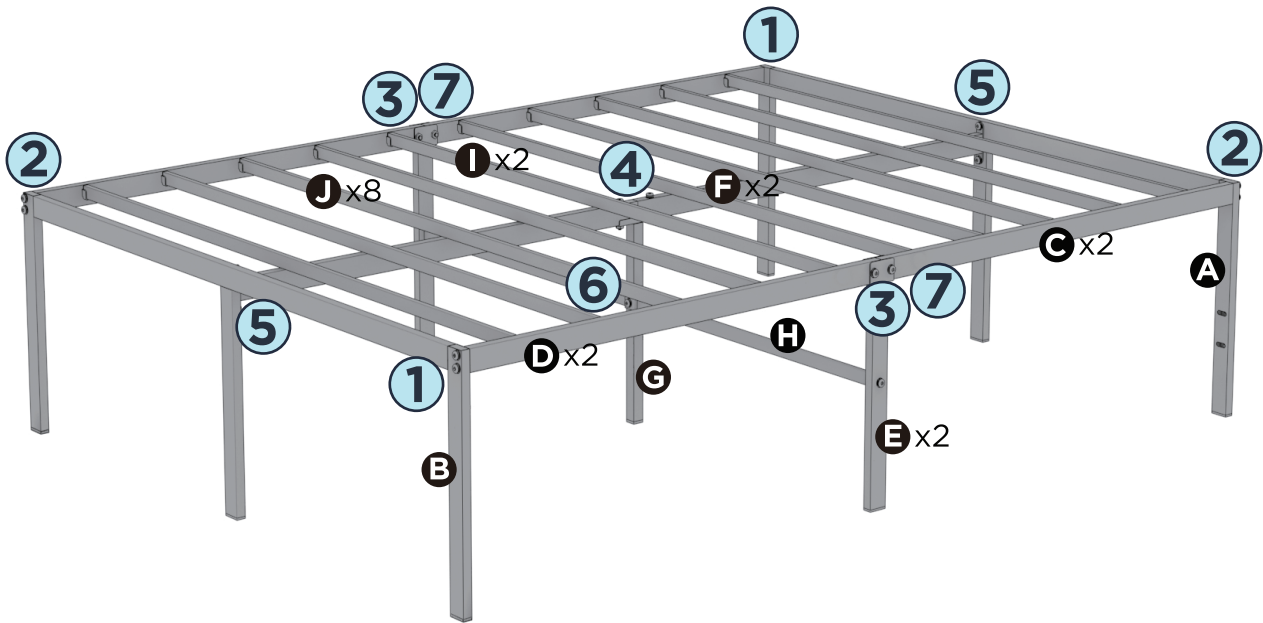


**functions that
delight**



**safe sourcing
practices**

MATCH THE NUMBERS
- easy assembly by matching
numbered parts



metal platform bed : 16"/18"

- Full, Queen, King, Cal King



A x 1 pc



H x 1 pc



B x 1 pc



I x 2 pcs



C x 2 pcs



J x 8 pcs



D x 2 pcs



x 2 pcs



L x 2 pcs



E x 2 pcs



x 1 pc



M x 14 pcs



F x 2 pcs

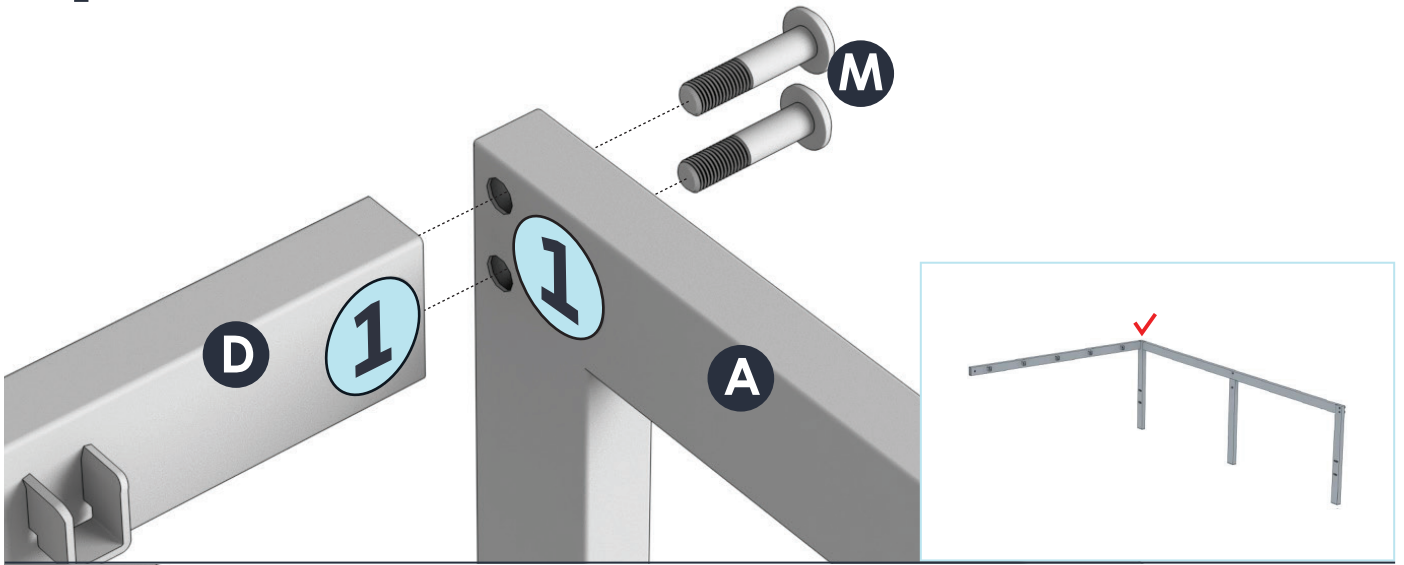


S x 5 pcs

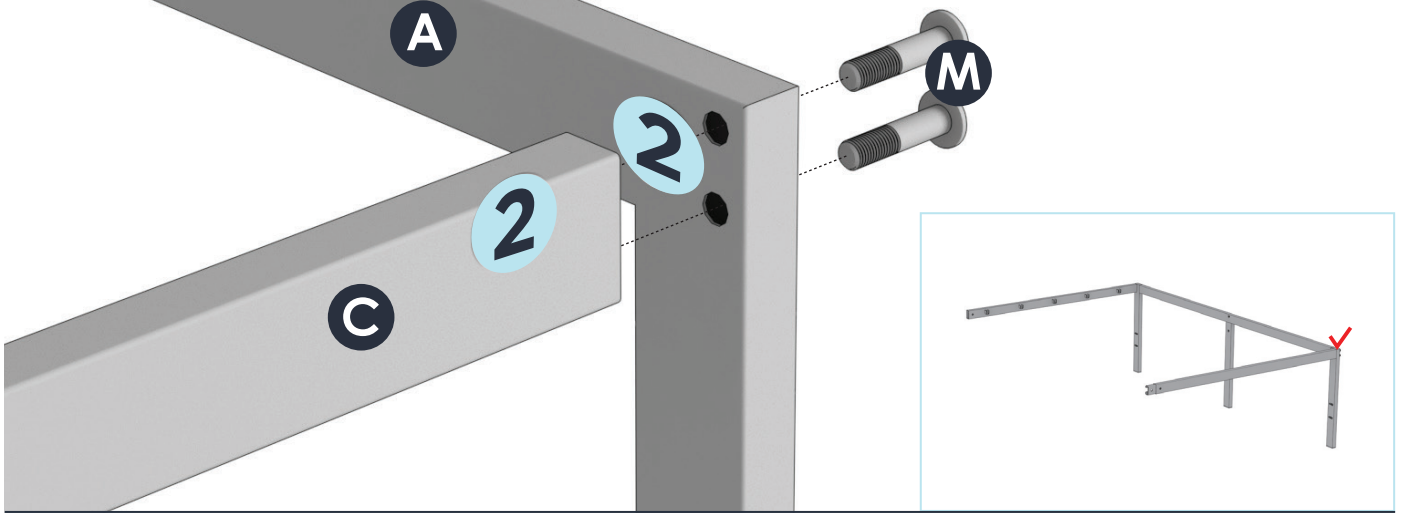


G x 1 pc

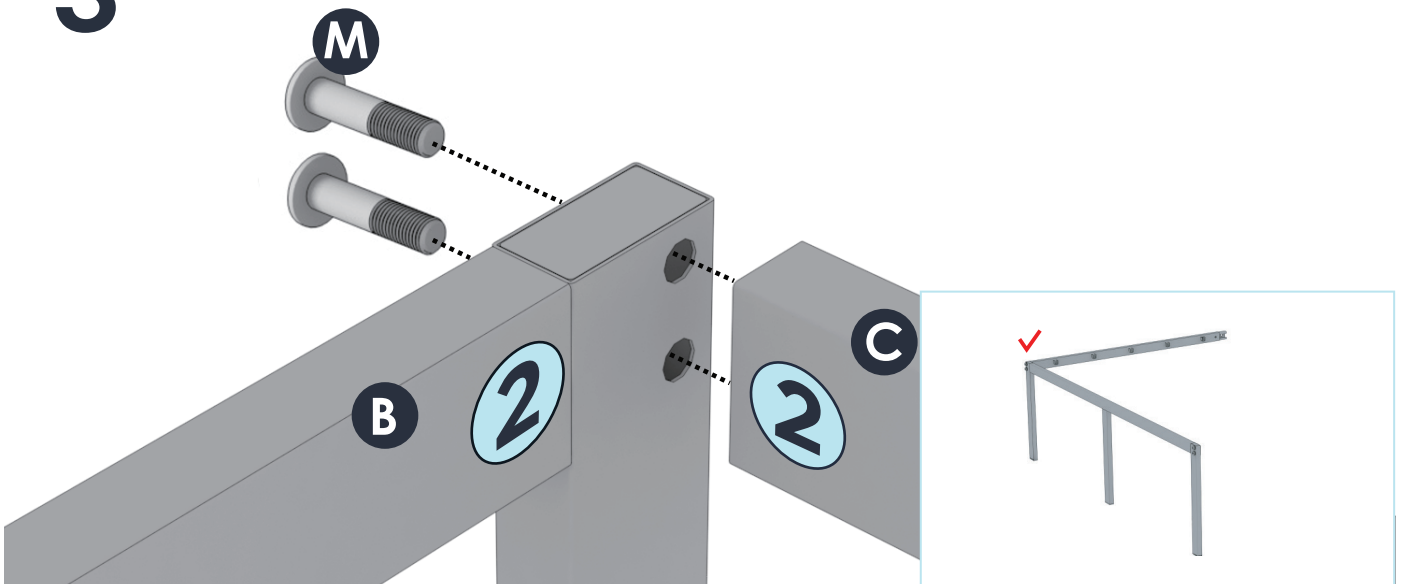
1



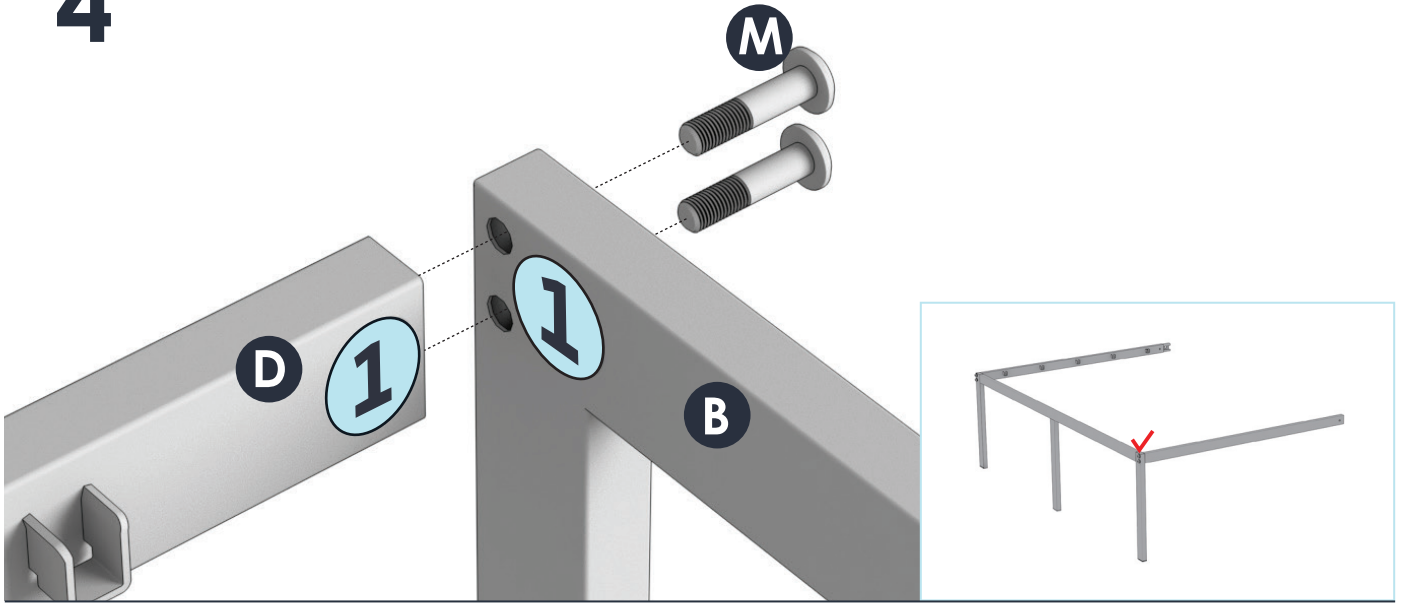
2



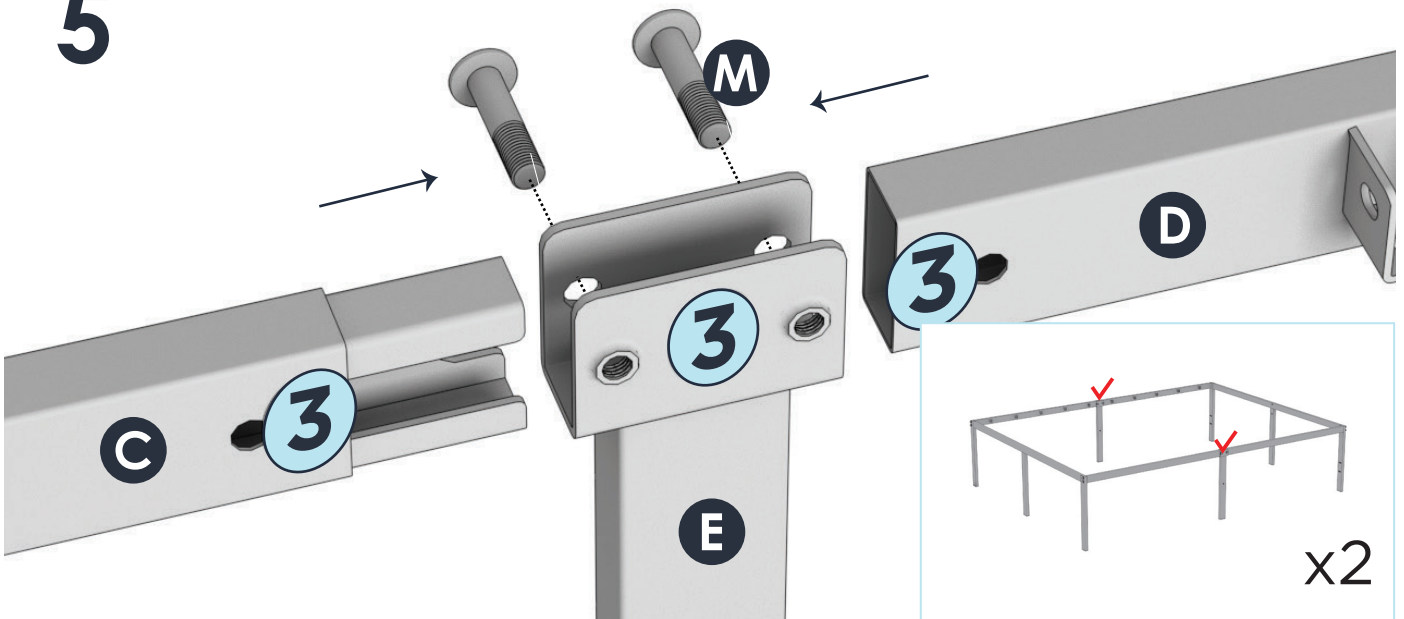
3



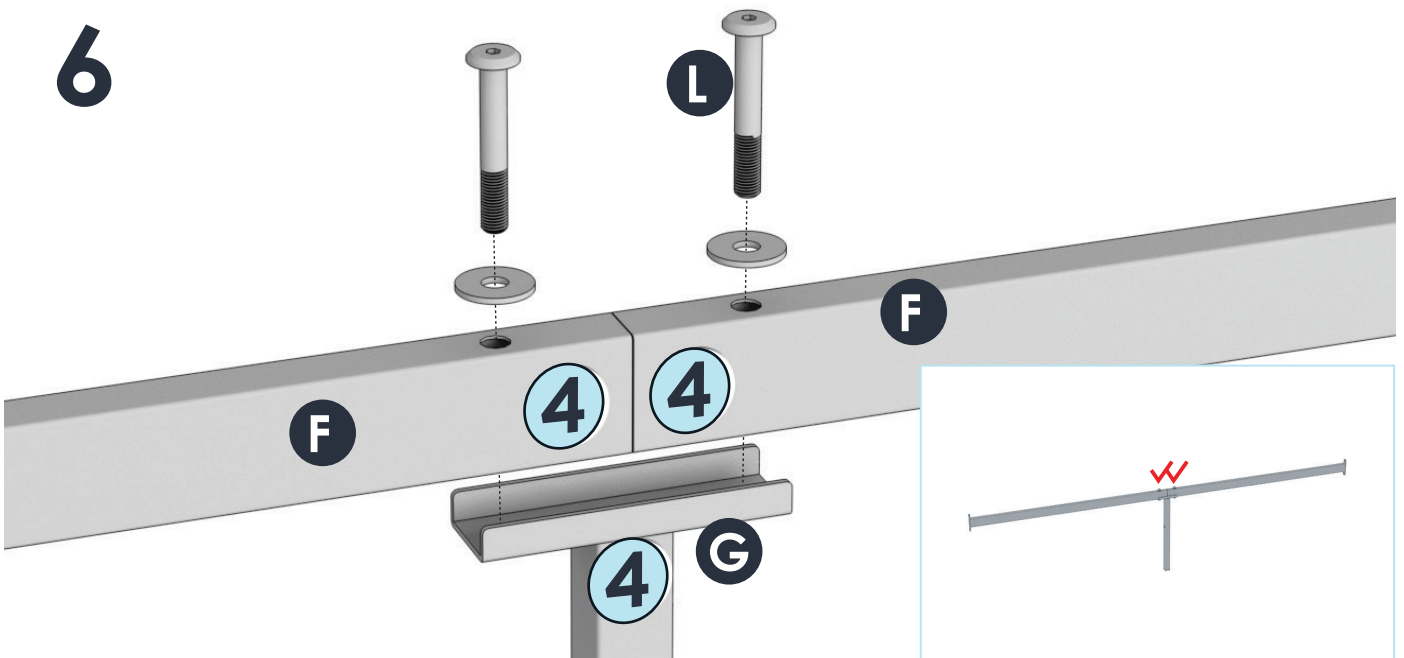
4

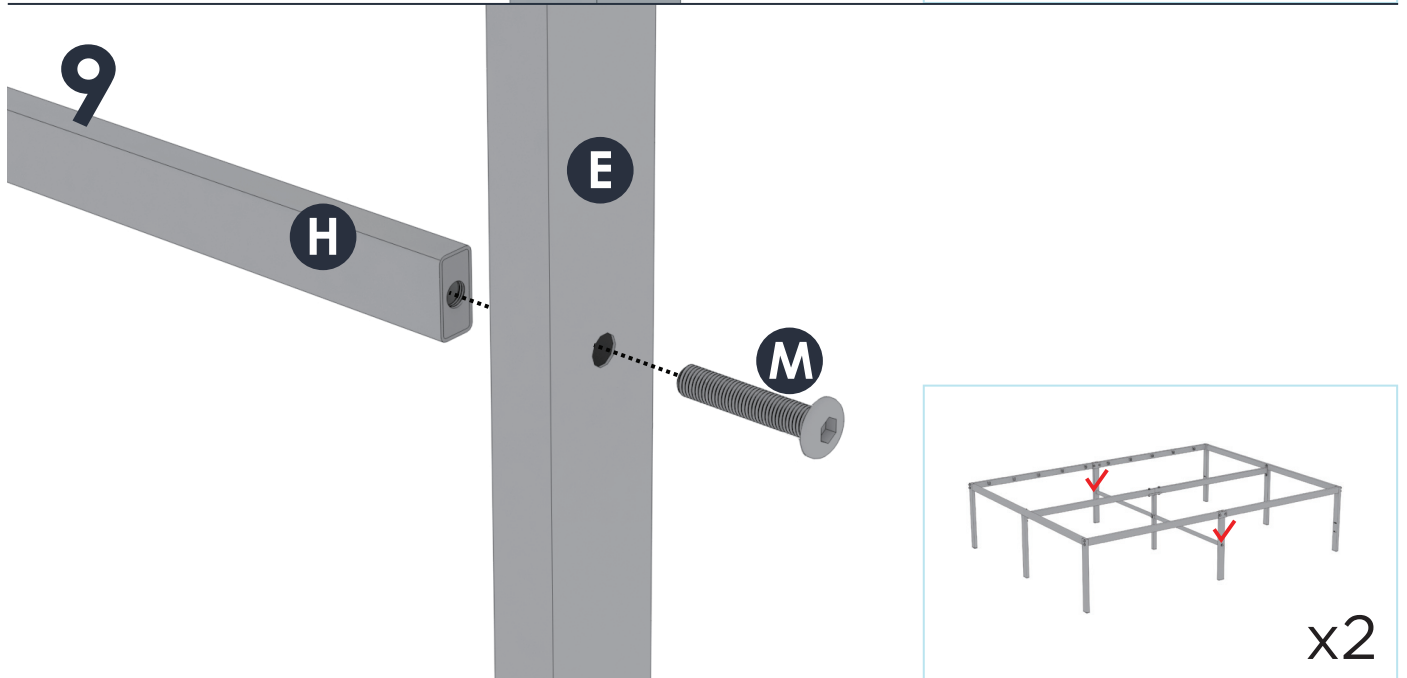
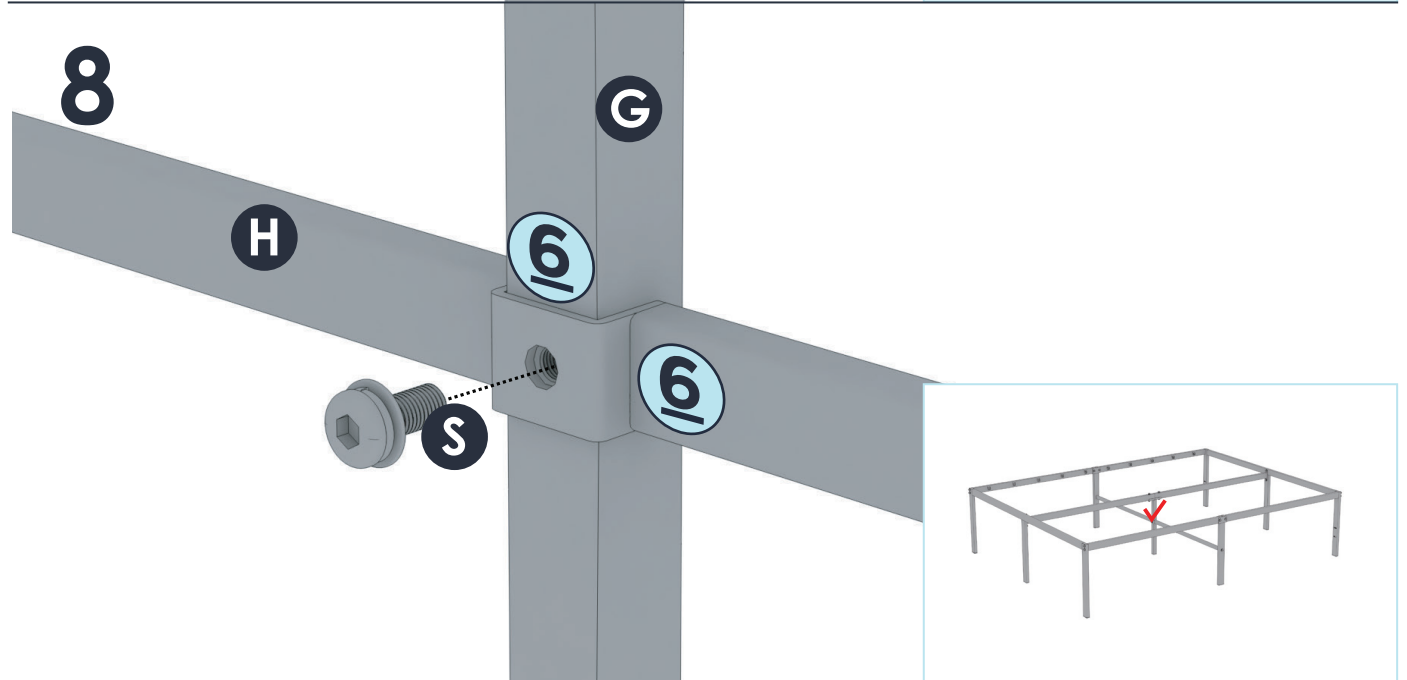
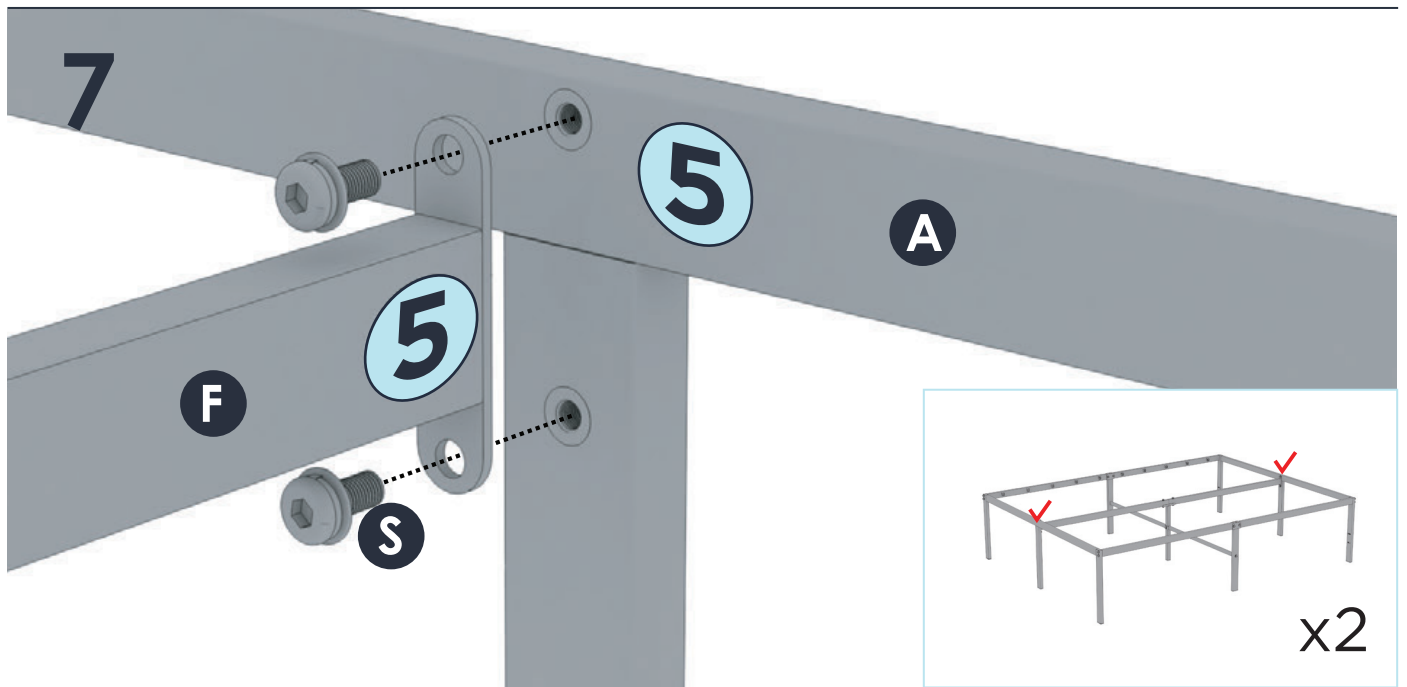


5

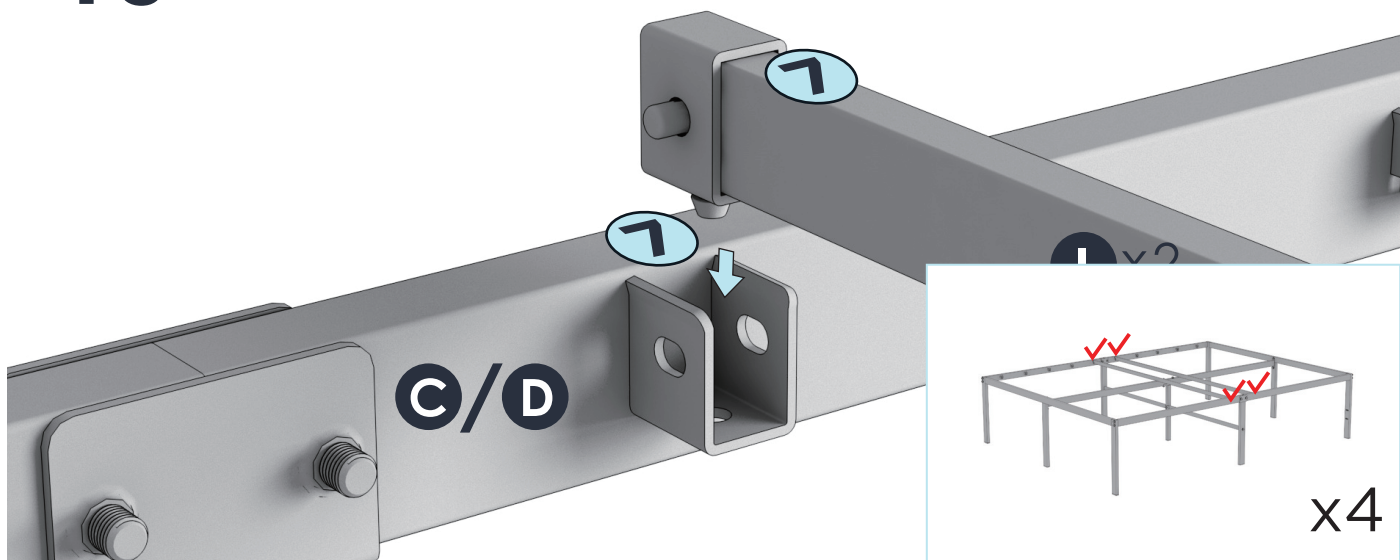


6

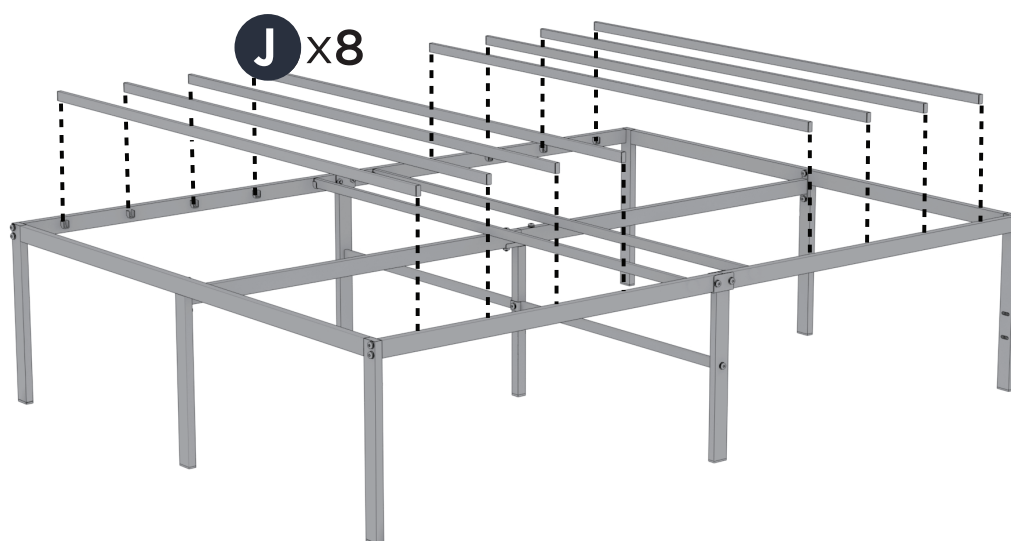




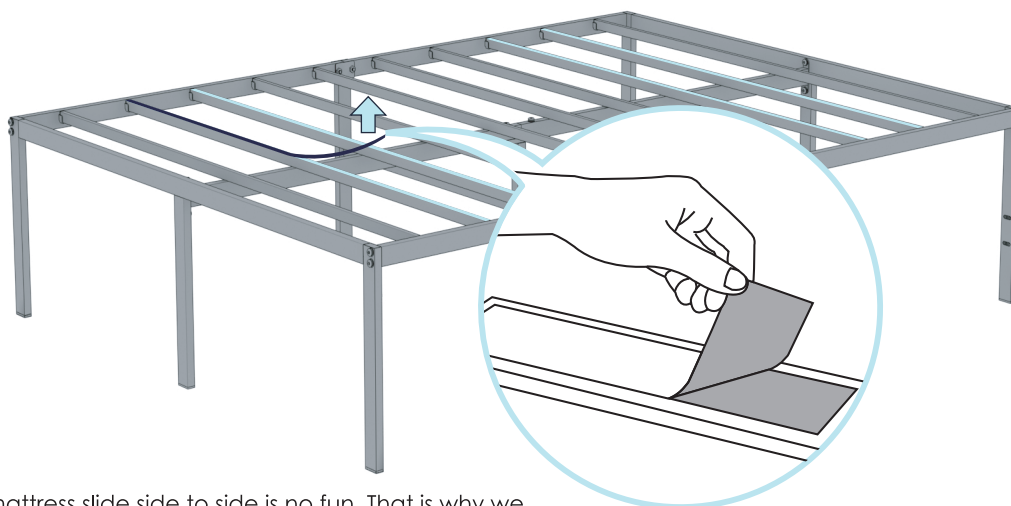
10



11



12



*Having the mattress slide side to side is no fun. That is why we include two non-slip taped slats to ease your bedtime routine.

*Please make sure to only remove **the top vinyl strip** and not the whole tape!

13



EN THIS PRODUCT REQUIRES ADULT ASSEMBLY

If any part is missing or if you have any questions regarding this product, please contact our customer service team by phone or email with this assembly manual open to the components list, ready to provide the model name and component number.



WARNING

Remove mattress and all other objects while moving the assembled unit.



CHOKING HAZARD

Small parts.
Not intended for children.



PREVENT HAND INJURIES

Please use caution when assembling. Avoid placing fingers between frame structure while unfolding.