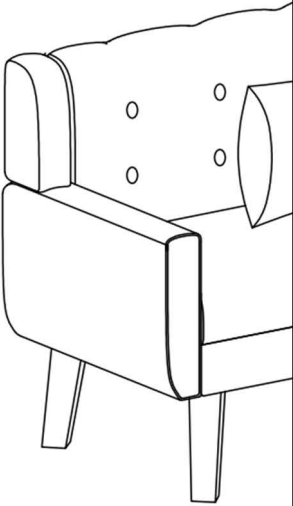


Owner Manual



WARRANTY

We strive to offer high quality product and we also try our best to satisfy each customer that order from us, no matter on products or services as needed. Each customer receives a record of their order, such as the order number or item receipt. For any items that are out of warranty period, you may still be able to purchase the replacement parts from our company if they are available.



MAINTENANCE AND WARNING

Please read the manual thoroughly before you start installing.

Please keep the product away from sharp object.

Packaging and small parts may have choking hazard, please keep them away from children and pets.

Please clean the product according to each clean code, check the product description for more information.

Please keep the product away from fire.

If you have any other questions, please contact us, we will be glad to help you out.

If the product is placed under direct sunlight, the pattern or color might fade away overtime.

Check the product periodically to make sure everything is secured and tightened.

Always use proper tools for installation.

Do not jump on the product.



Around 45 min



PRODUCT DESCRIPTION

You don't have to worry about its durability! Our small couch with a sturdy wooden frame and high-quality springs can easily support the weight of 400 lbs.

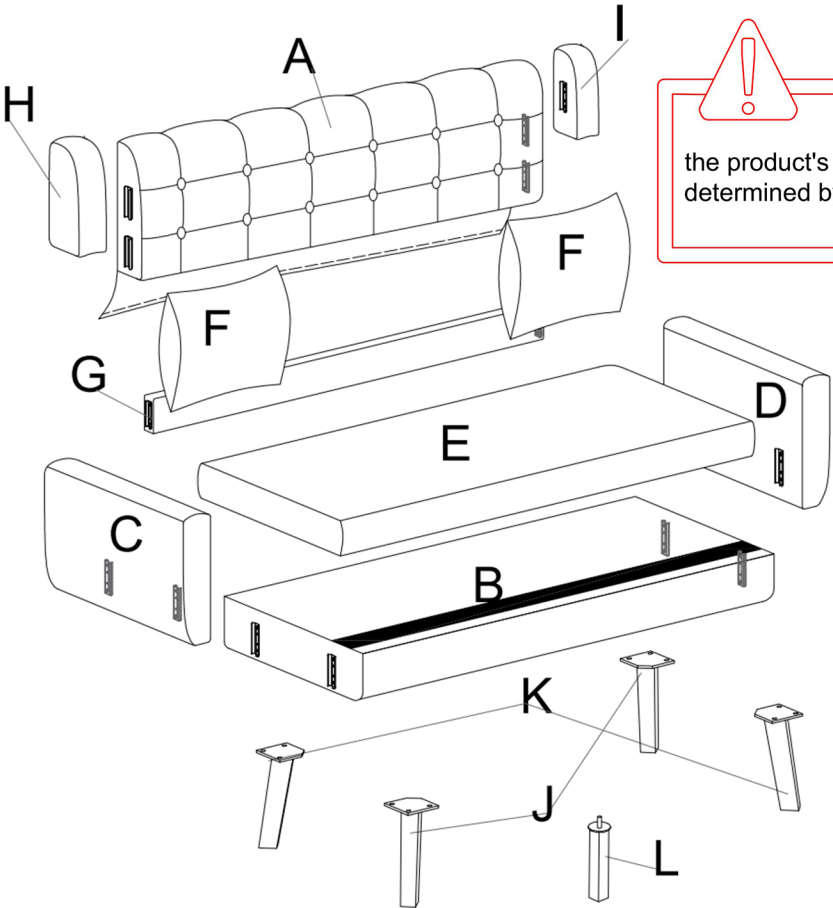
This mid-century modern couch lights up your whole home with modern craftsmanship and classic aesthetics.

Stylish tufted linen upholstery with a mid-century low-profile design, adds more features to your living room.

Whether plopping down after a long day at work, settling in with a steaming cup of coffee, or delving deep into conversation with friends, our loveseats are a welcome presence in your home.

Our couches assembly is very simple, just need to install a cushion and seat from the top down, and 5 chair legs using screws to fix them. It can be installed in less than 15 minutes.

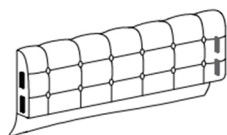
EXPLODED VIEW




the product's left and right are determined by sitting posture

PARTS

A*1



Backrest

B*1



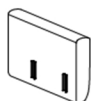
Seat frame

C*1



Right armrest

D*1



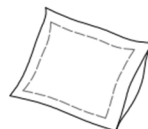
Left armrest

E*1



Seat cushion

F*2



Pillows

G*1



Back rail

H*1



Right wing

I*1



Left wing

J*2



Legs

K*2



Legs

L*1



Middle Leg

HARDWARE

TOOL LIST

NOTE: Designated with (★) We provide additional spare parts in the hardware package

①*12



★ M6*20mm
Bolt

②*12



★ Flat washer

③*1



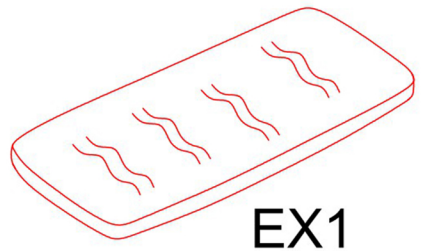
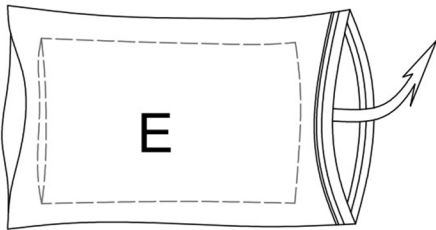
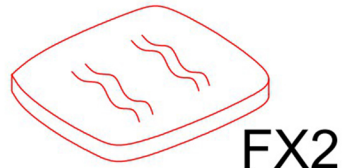
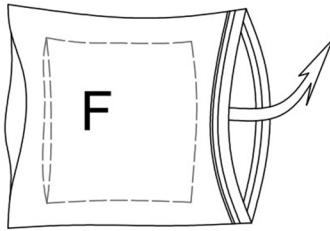
Allen key

Please make sure all hardware & packing material fitting the list. Especially some small accessories may be missing during transportation. Please contact us if you have any question.

step 1

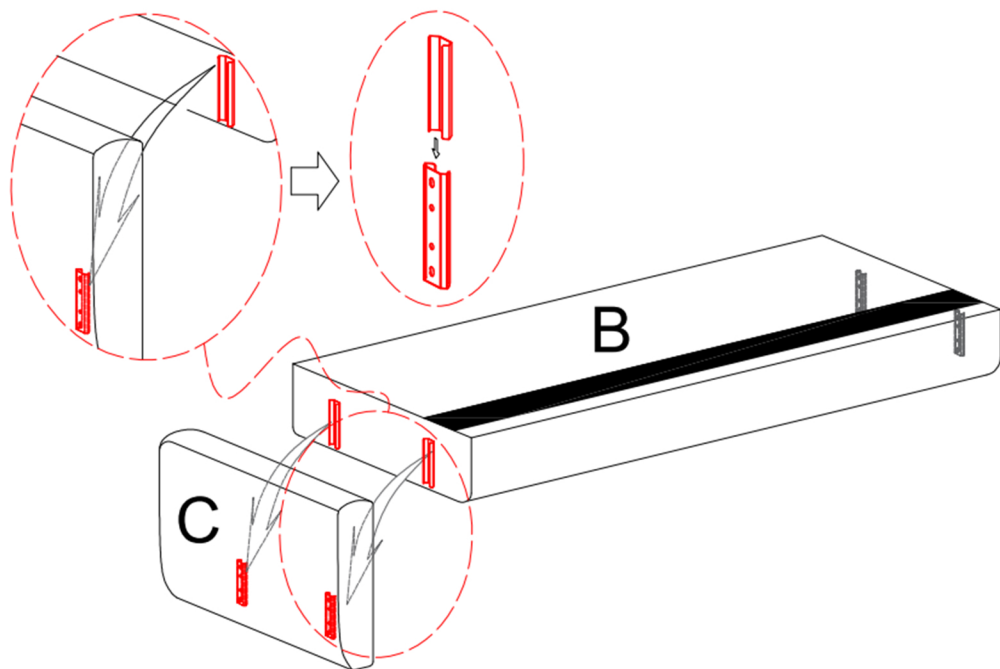
Take out all cushions (E & F) from the air compression bags, after taking out, please allow them to recover to their original shape.

Notice: the recovery process might take up to 48 hours, you may gently slap on them to speed up the process.



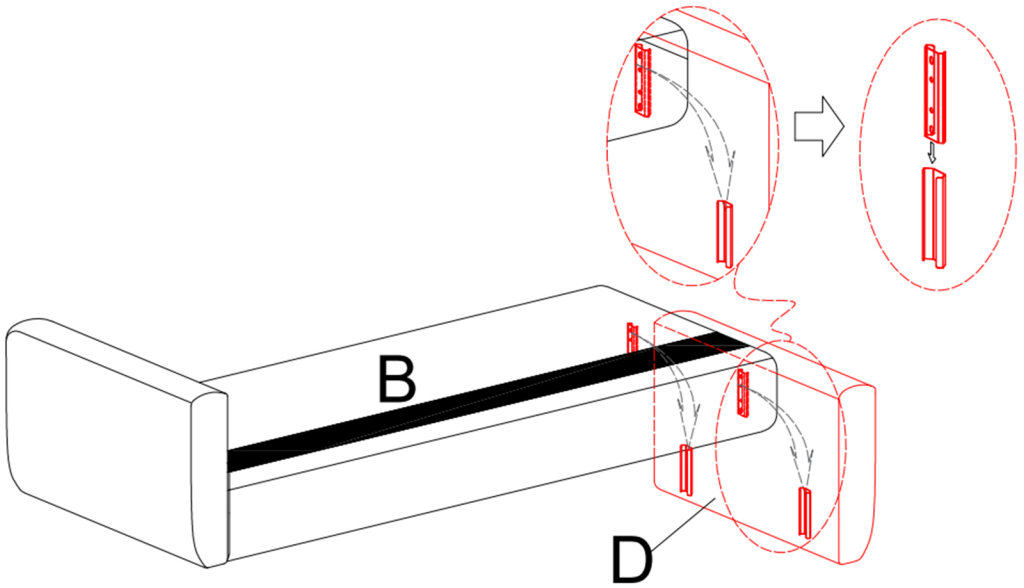
step 2

Connect the armrest (C) with the seat frame (B) by inserting the connectors on the side of the frame into the slots on the armrest, as shown. Make sure both of the connectors are aligned correctly.



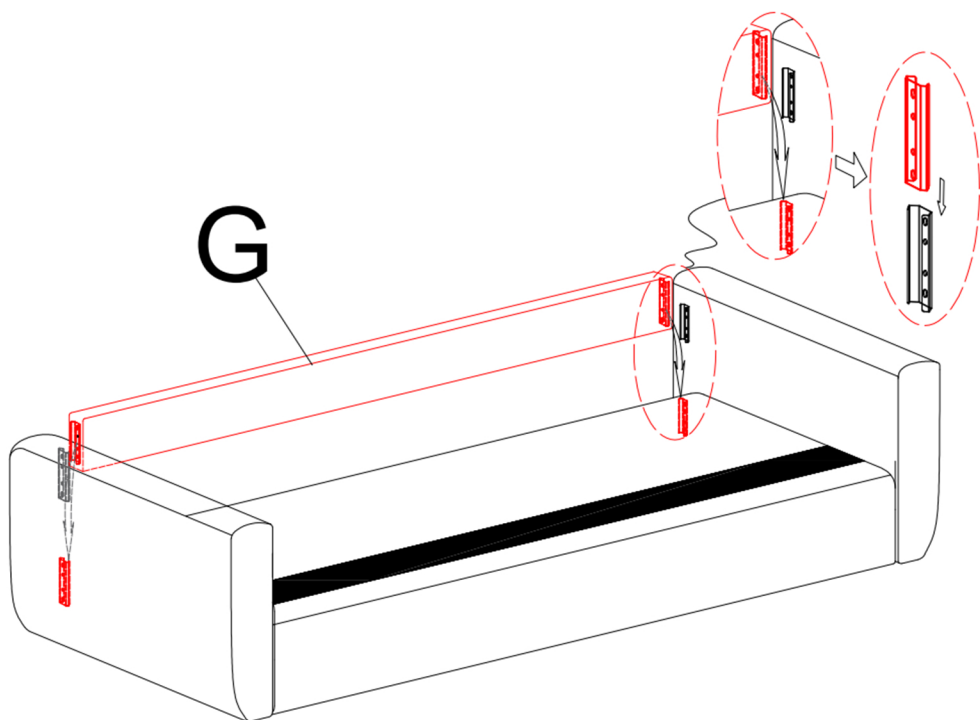
step 3

Connect the armrest (D) with the seat frame (B) by inserting the connectors on the side of the frame into the slots on the armrest, as shown. Make sure both of the connectors are aligned correctly.



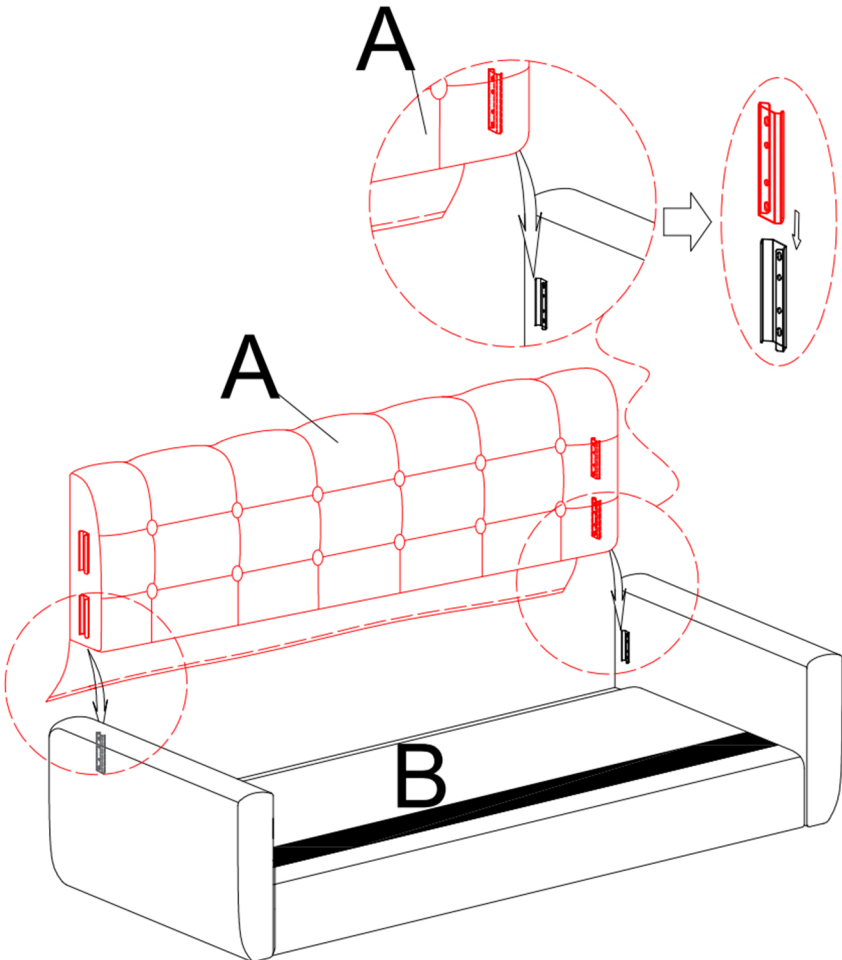
step 4

Insert the back rail (G) into both armrests (C & D), make sure the connectors on both sides are correctly aligned before pushing down.



step 5

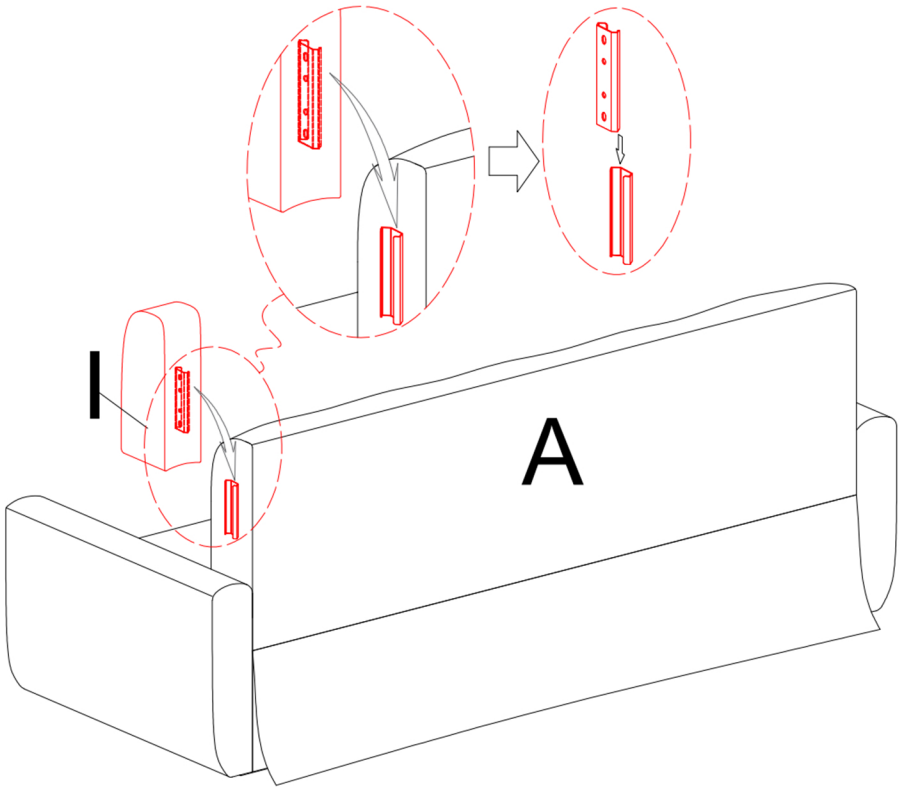
Install the backrest (A) onto the seat frame (B) by inserting the connectors on the sides of the backrest into the slots on the armrests, as shown. Make sure all the connectors are correctly aligned before pushing down.



step 6

Install the left wing (I) to the backrest (A) by sliding the connector into the slot on back as shown, simultaneously press down from the top of wing until it is fully assembled.

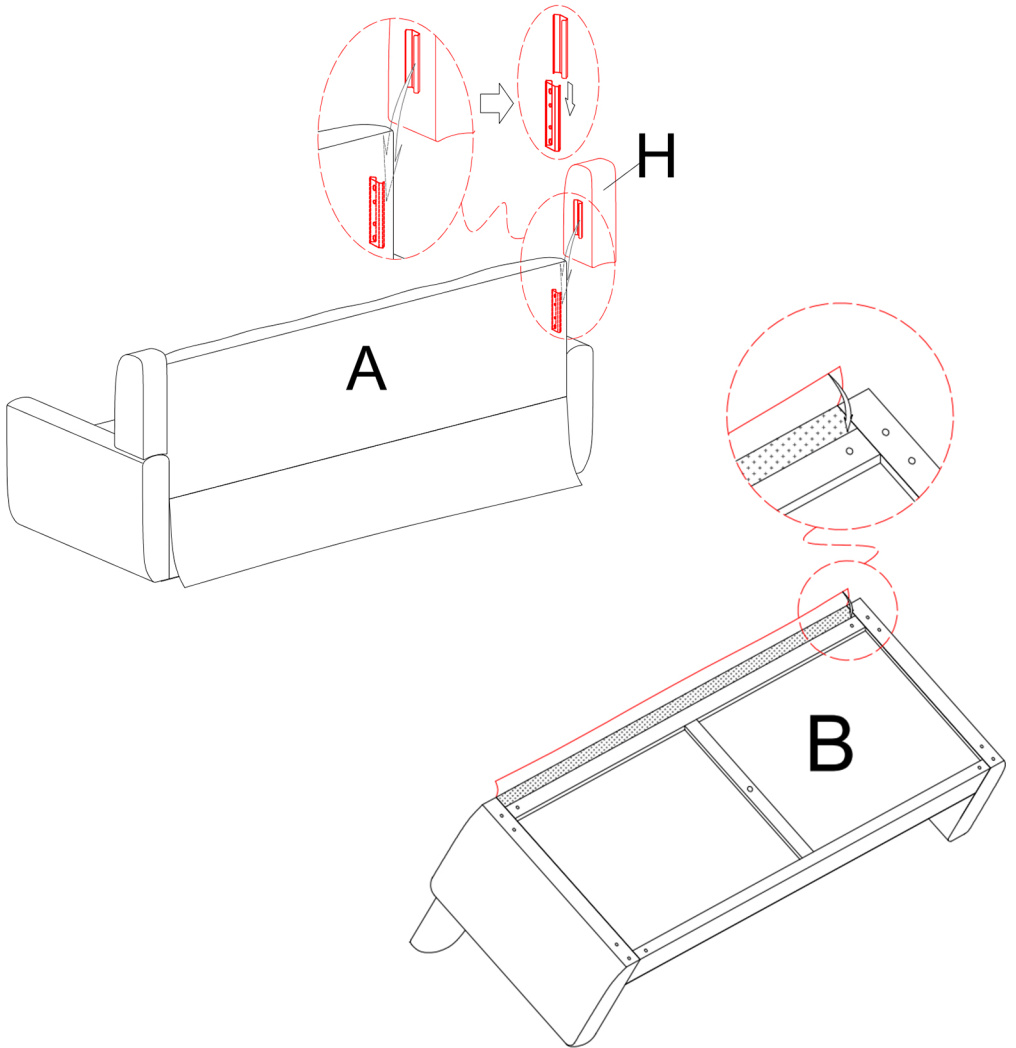
NOTE: The connect parts are metal,caution should be taken during use to avoid cutting the fabric or other materials.



step 7

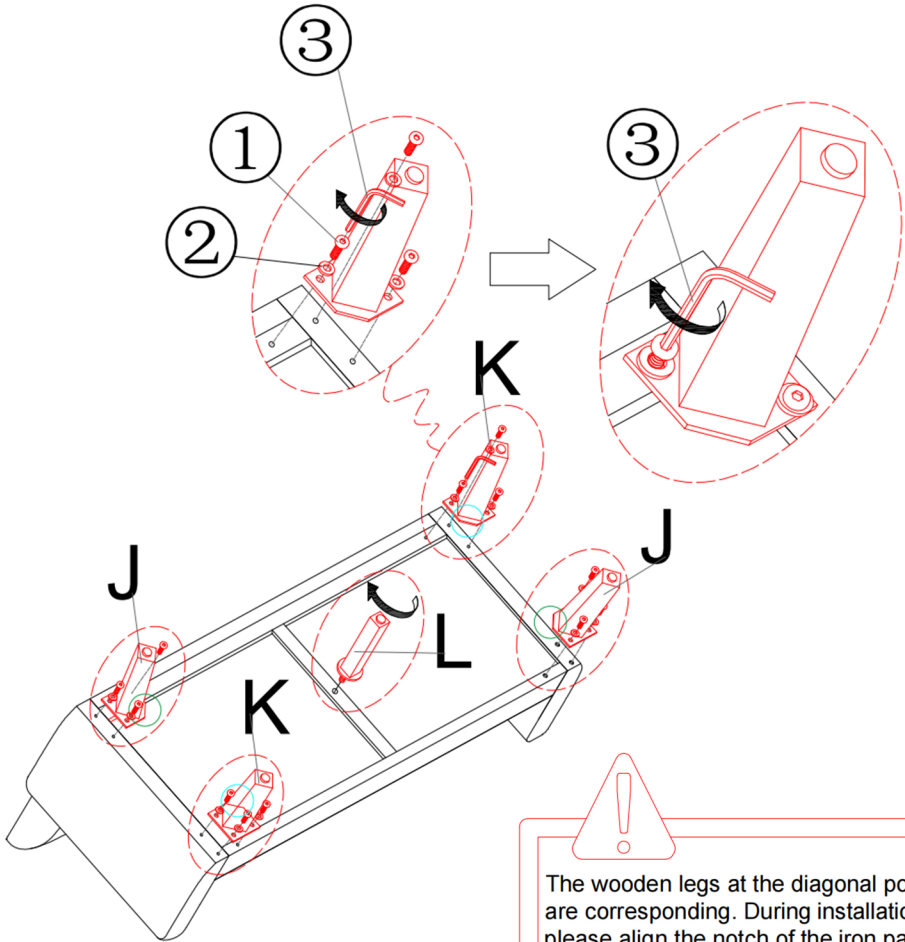
Install the right wing (H) to the backrest (A) by sliding the connector into the slot on back as shown, simultaneously press down from the top of wing until it is fully assembled.

Stick on the Velcro cover on the back of the seat frame (B) as shown.



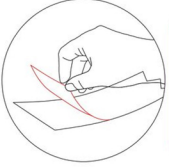
step 8

Install all the legs (J& K & L) onto the seat frame, place one flat washer (2) on each bolt first, then using the allen key (3) provided to tighten the bolts (1). Do not forget to twist on the middle leg (L).

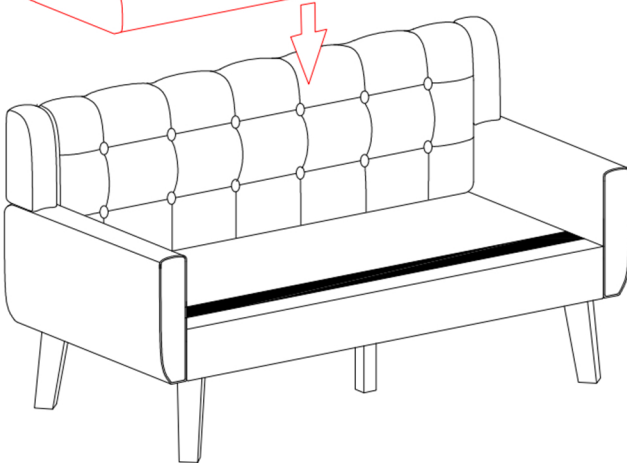
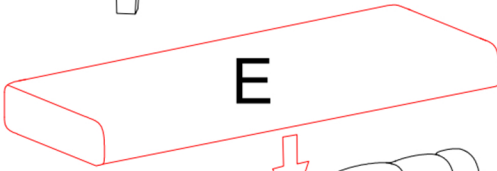
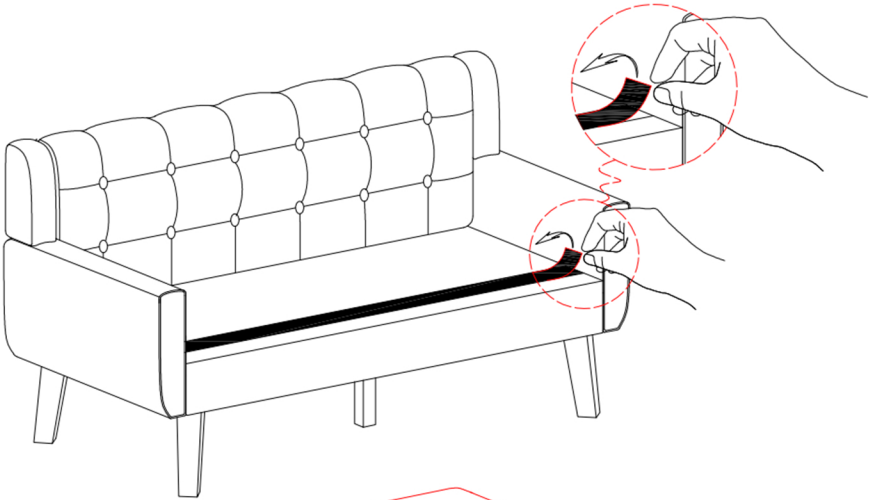


step 9

Place the seat cushions (E) onto the sofa.

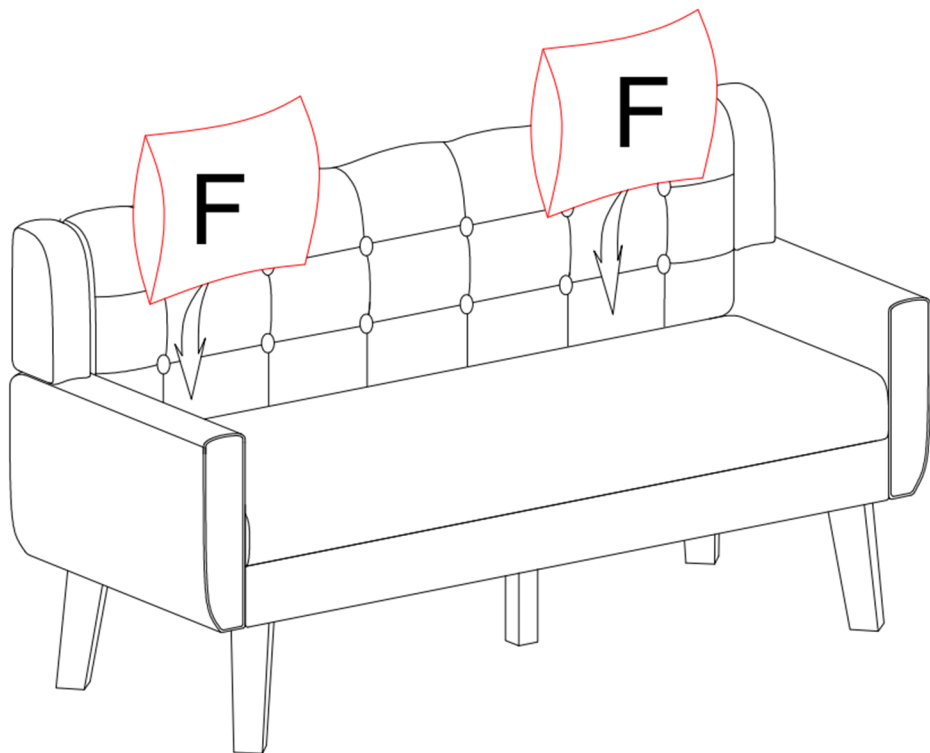



Tear off the Velcro strip cover before pasting.



step 10

Place the back cushions (F) onto the sofa. The assembly is complete! Thank you for choosing our product.



step 11

Please notice, the front legs of the sofa can be adjusted by twisting the leveler to adapt the sofa onto rough ground. Please check before use it.

