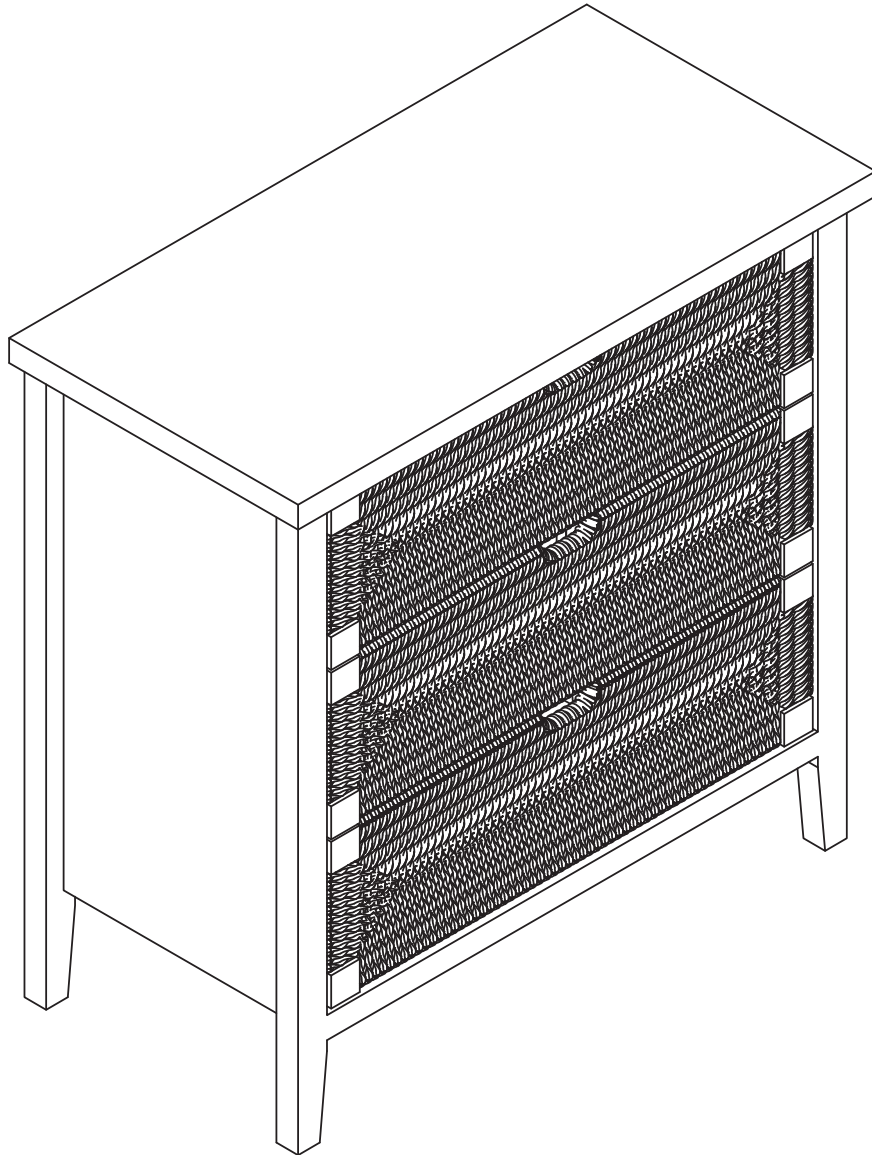


Installation Instruction



Product name

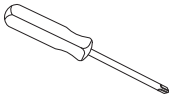
3 Drawer Cabinet

Ver.1.0 20240826

Assembling

What you need

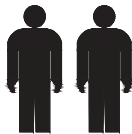
- Use the packaging carton as a working surface to prevent product damage during assembly
- Phillips head screwdriver



Weight Limitation



50 | 11
lbs table top | lbs per drawer

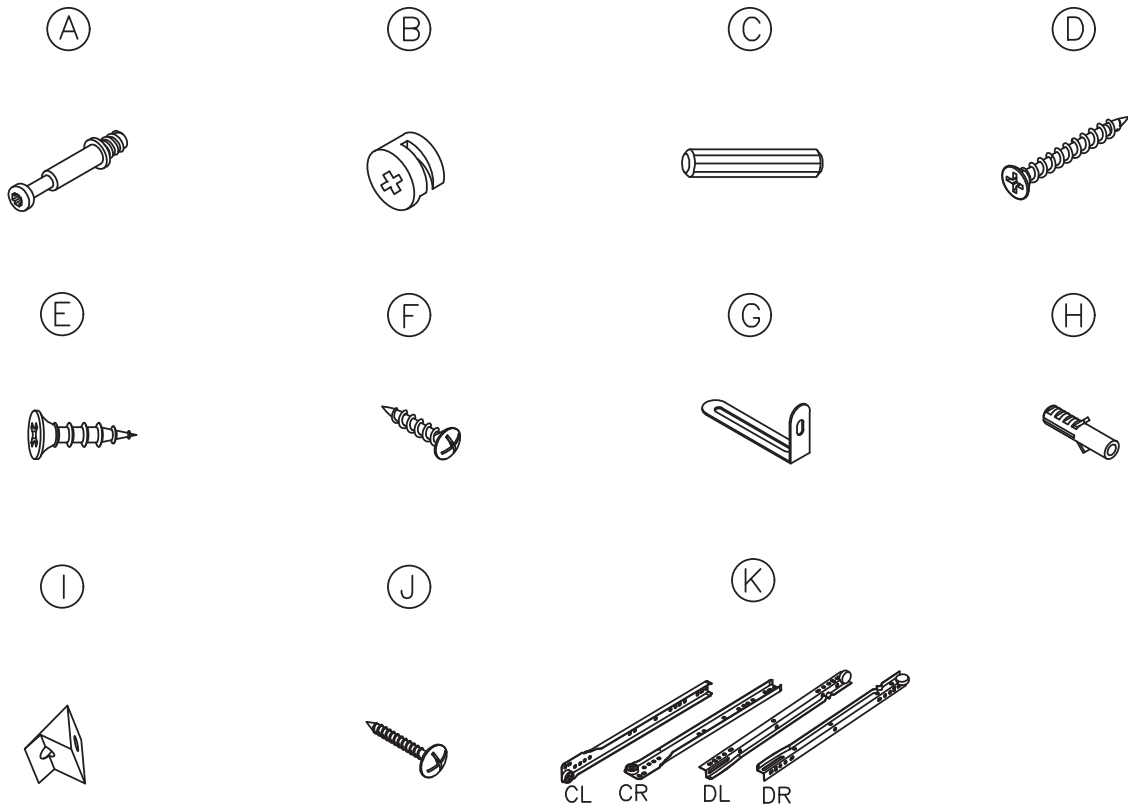


2 PERSONS

What ' s included

Code	Description	Qty
A	Cam Bolt M6X35MM	46
B	Cam Lock 15X10MM	46
C	Wooden Dowel M6X30MM	16
D	Screw M4X35MM	19
E	Screw M3X12MM	36
F	Screw M4X14MM	2
G	Metal Plate	2
H	Anchor M6x30mm	2
I	Plastic Corner Support	8
J	Screw M3X16MM	8
K	Slide Sets	3

The hardware



IMPORTANT:

1. Do not tighten bolts / screws completely until all bolts / screws are lined up and inserted into holes.
2. Do not over tighten screws and bolts to avoid stripping.
3. Please use hand tools to assemble this product. Do not use power tools.
4. Must need 2 people to assemble this product.

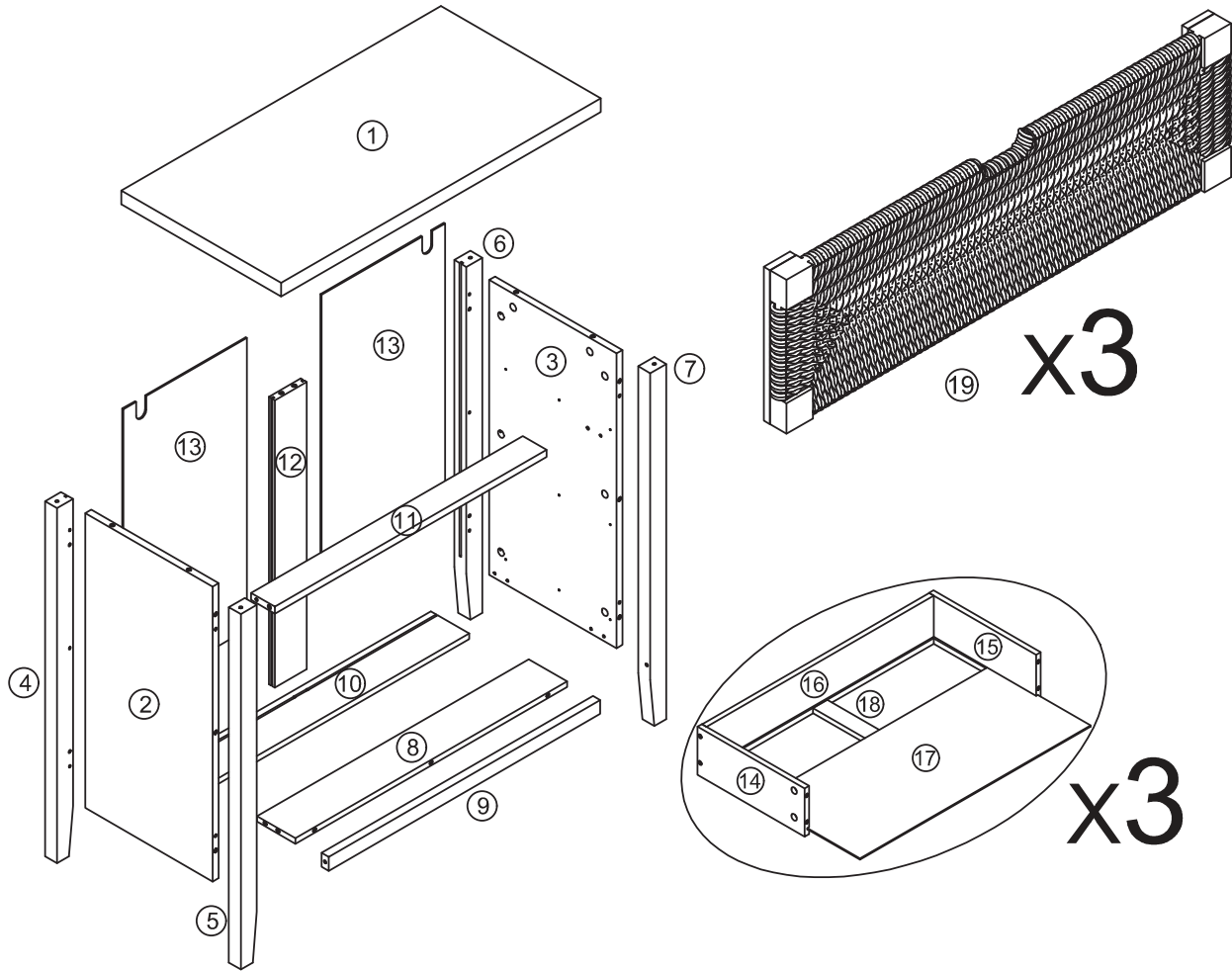


2 PERSONS

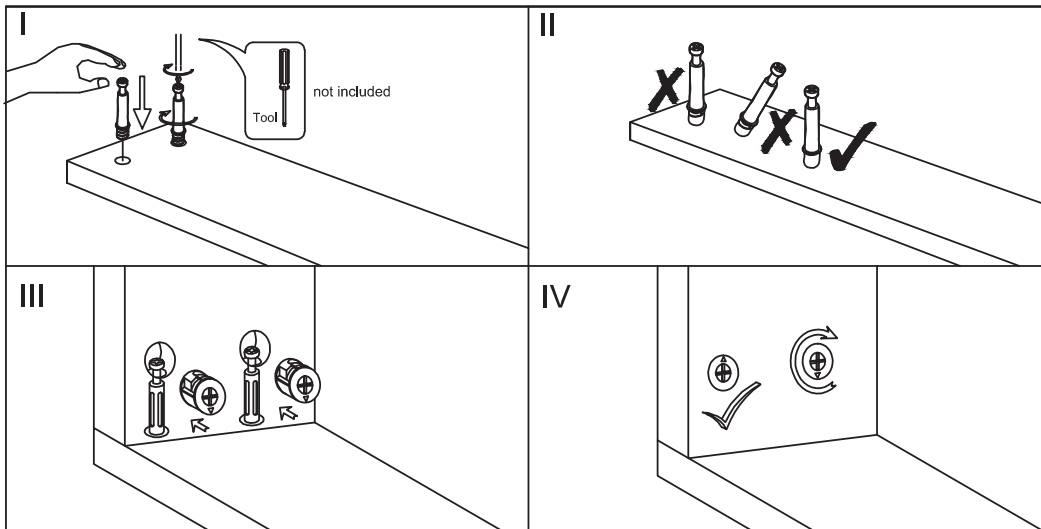
Included Accessories

Code	Description	Qty
1	Cabinet Top	1
2	Left Side Panel	1
3	Right Side Panel	1
4	Left Back Leg	1
5	Left Front Leg	1
6	Right Back Leg	1
7	Right Front Leg	1
8	Front Bottom Panel	1
9	Front Stretcher	1
10	Latter Bottom Panel	1
11	Front Support Panel	1
12	Vertical Back Stretcher	1
13	Back Panel	2
14	Drawer Left Side Panel	3
15	Drawer Right Side Panel	3
16	Drawer Back Panel	3
17	Drawer Bottom Panel	3
18	Drawer Bottom Support Panel	3
19	Drawer Front Panel	3

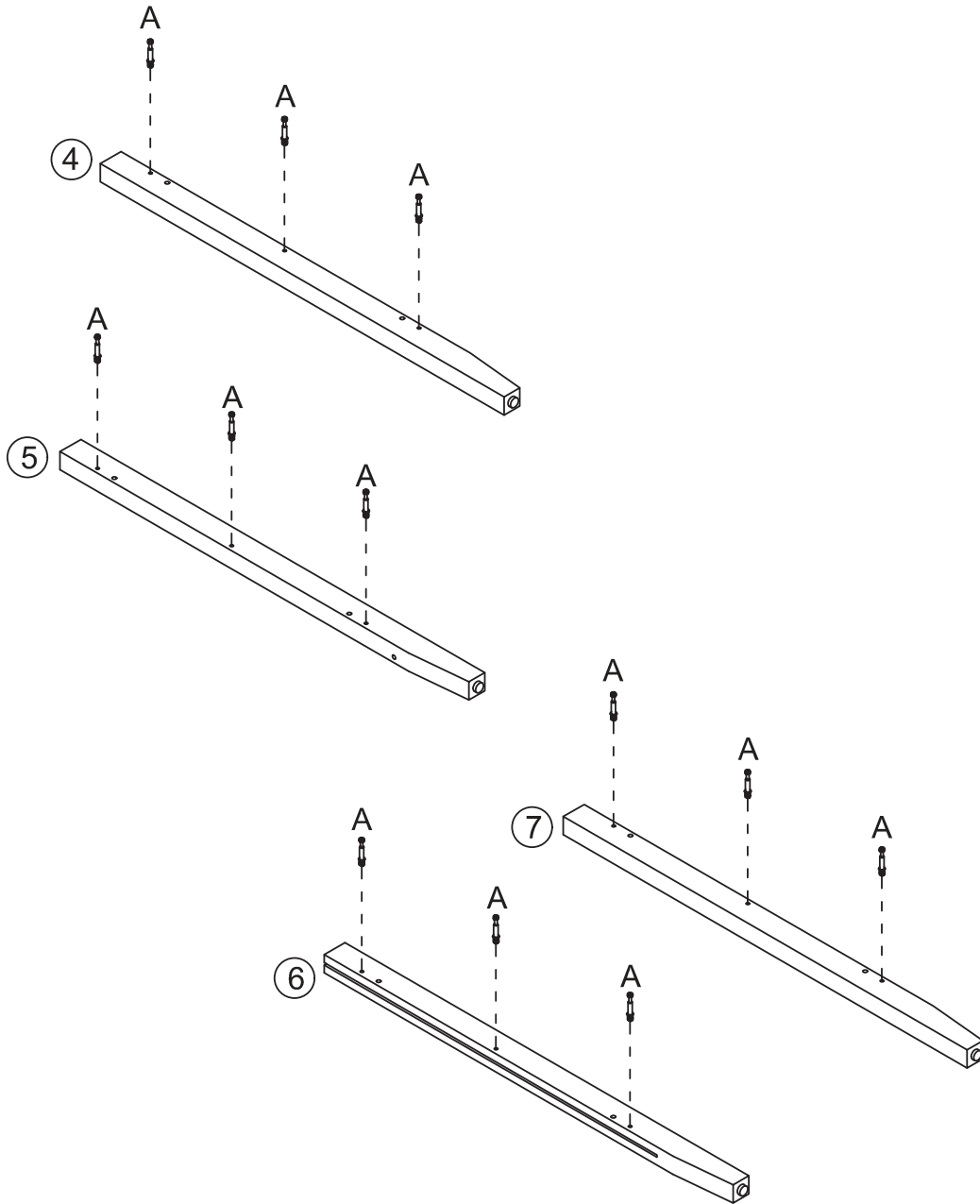
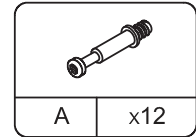
The Accessories





NOTED:

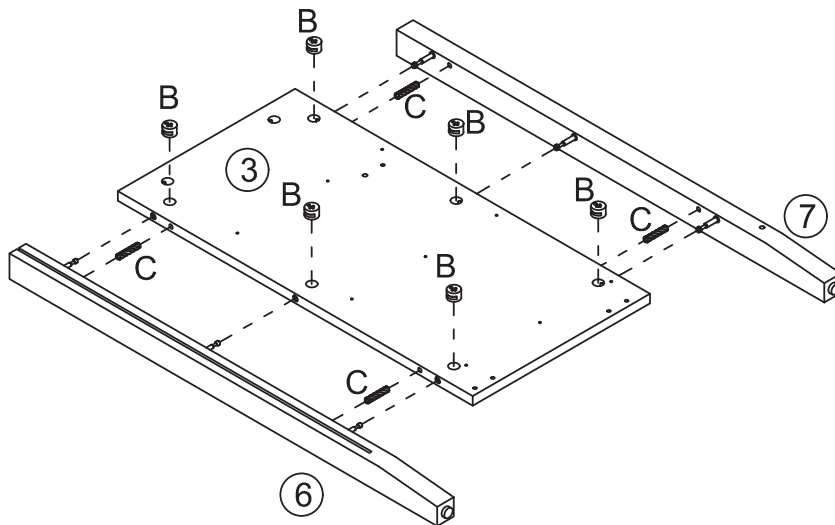
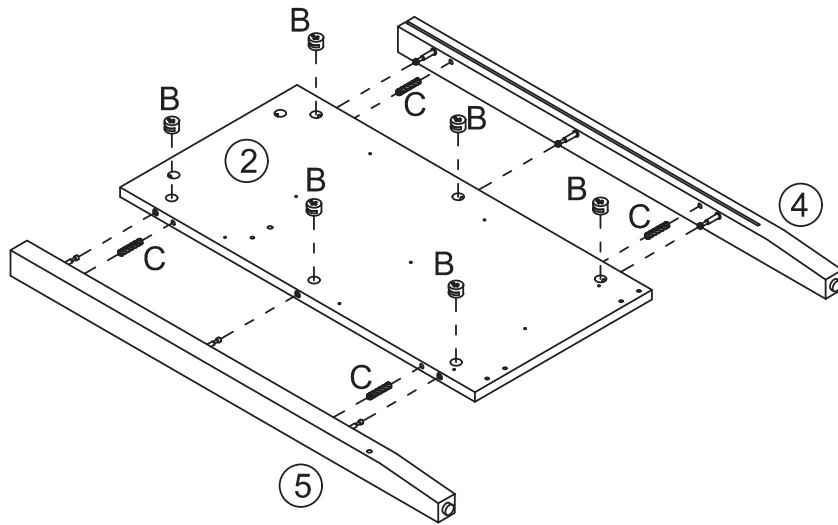


Step 1


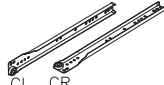


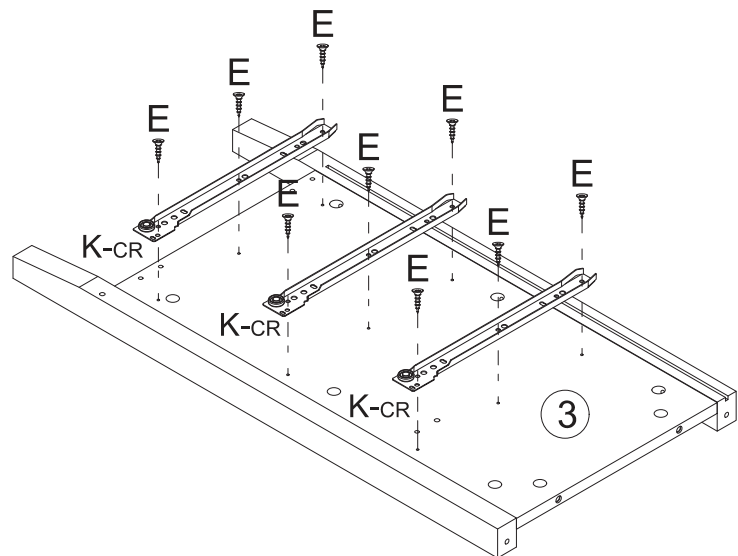
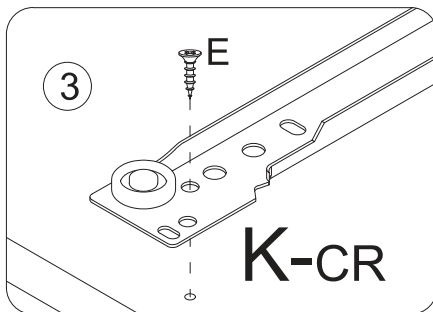
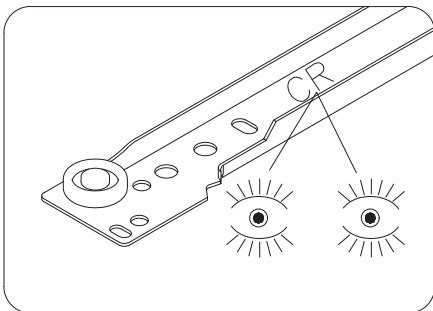
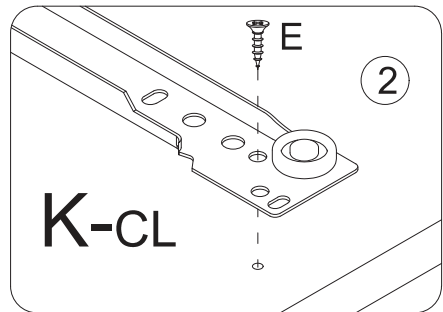
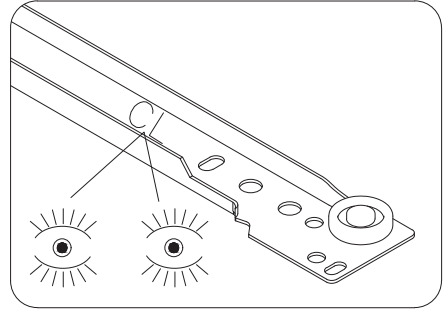
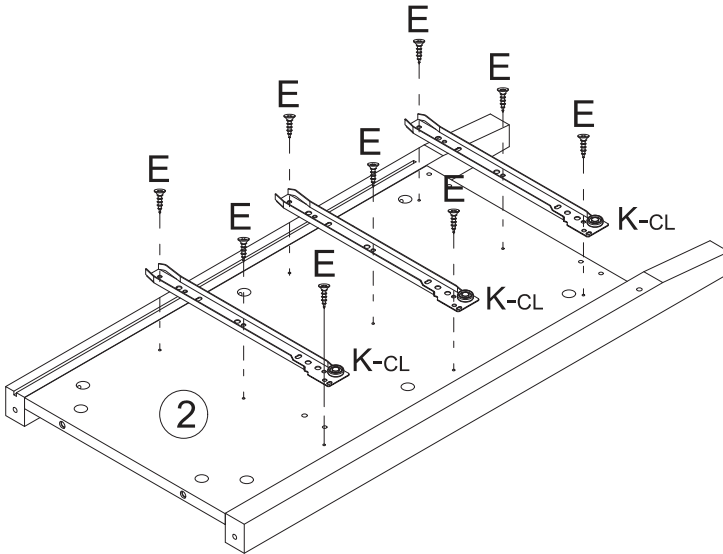
Step 2

	
B	x12
C	x8

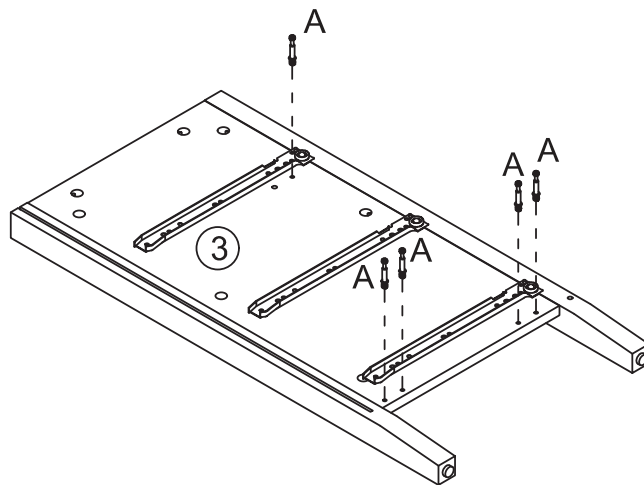
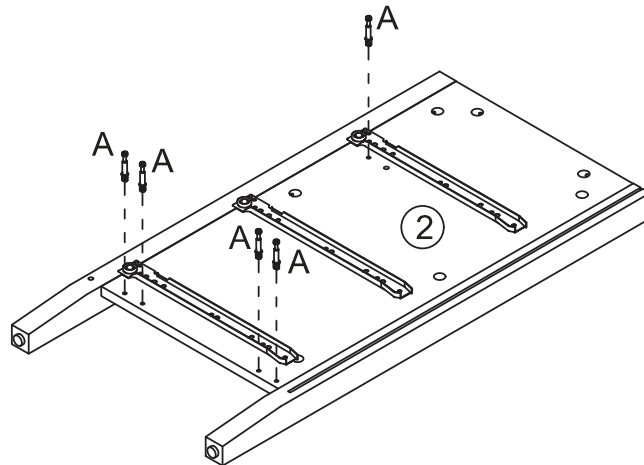
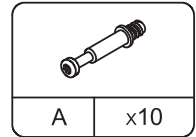


Step 3




			
E	x18	K	x3

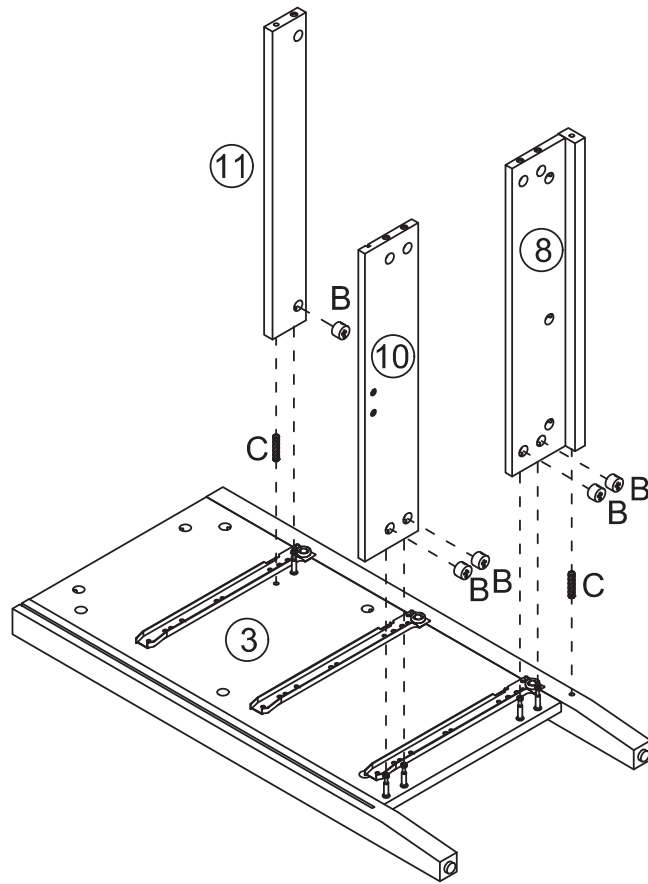
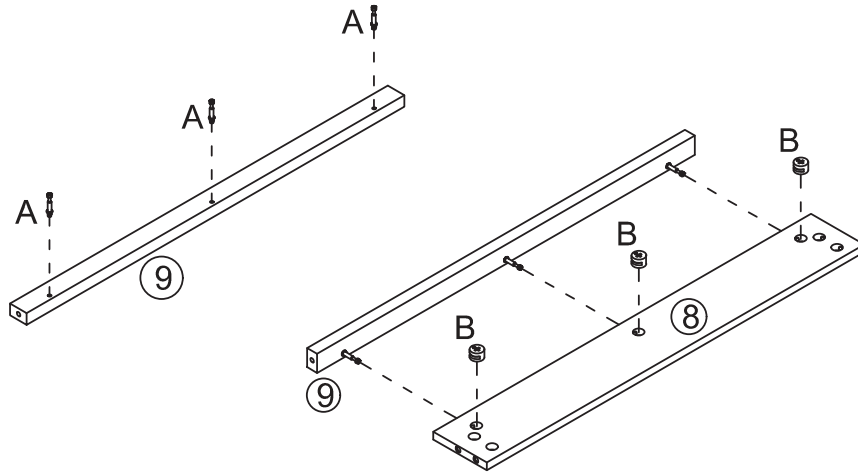


Step 4





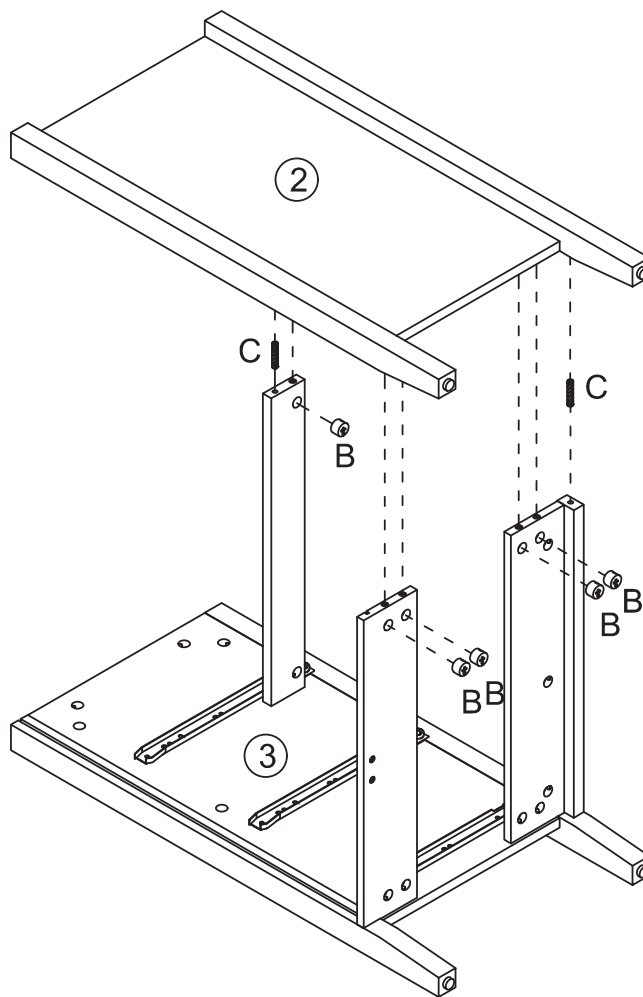
Step 5

					
A	x3	B	x8	C	x2

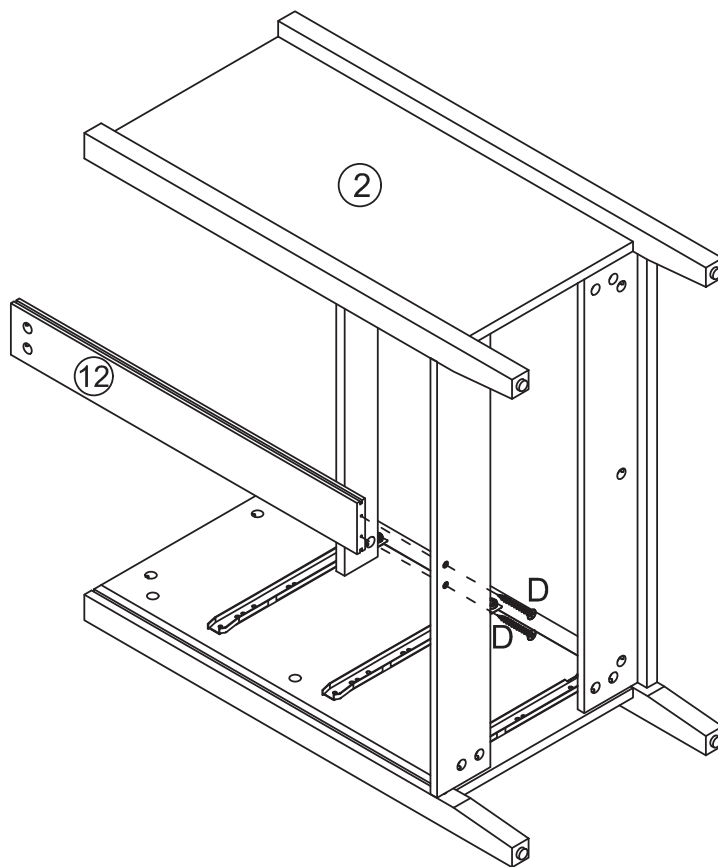
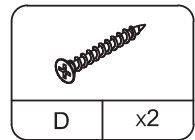


Step 6

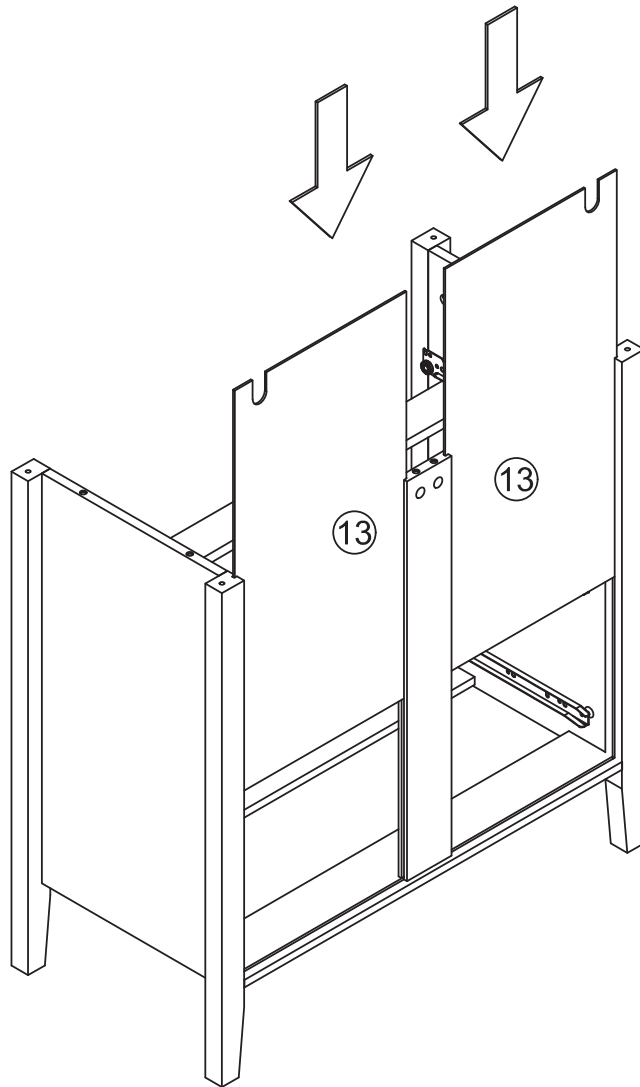
	
B	x5
C	x2








Step 7

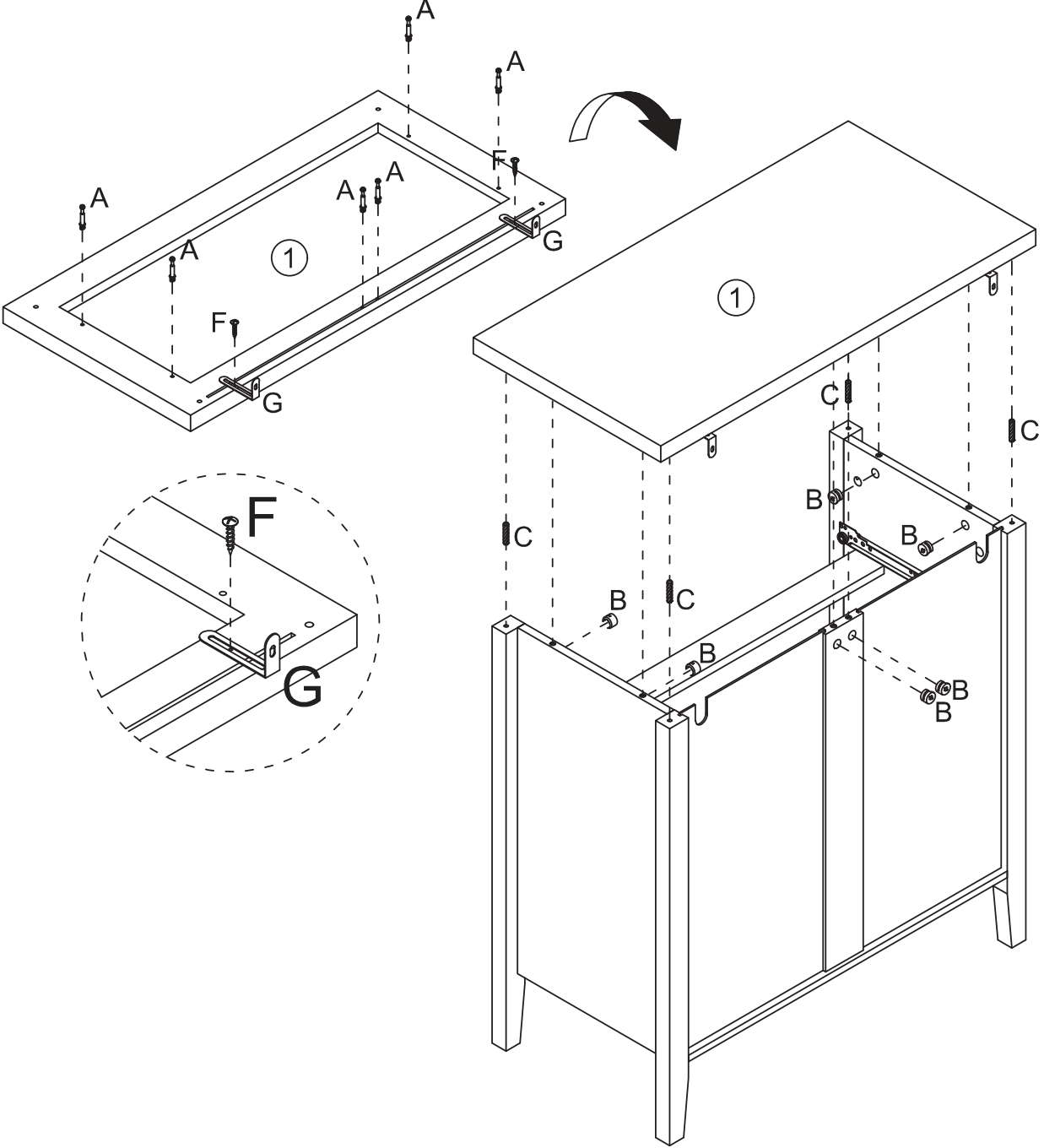


Step 8

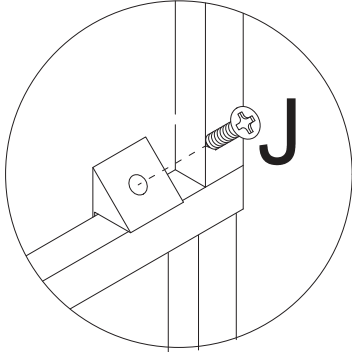
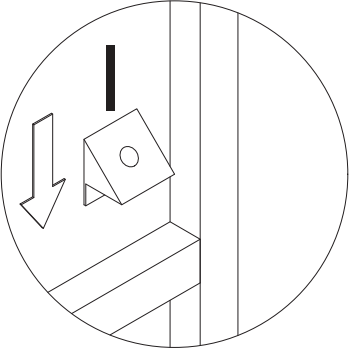
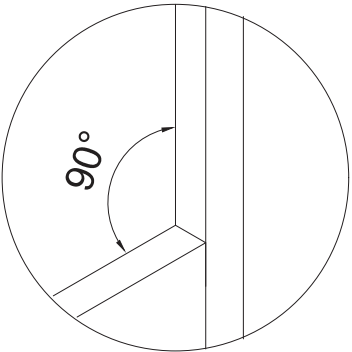
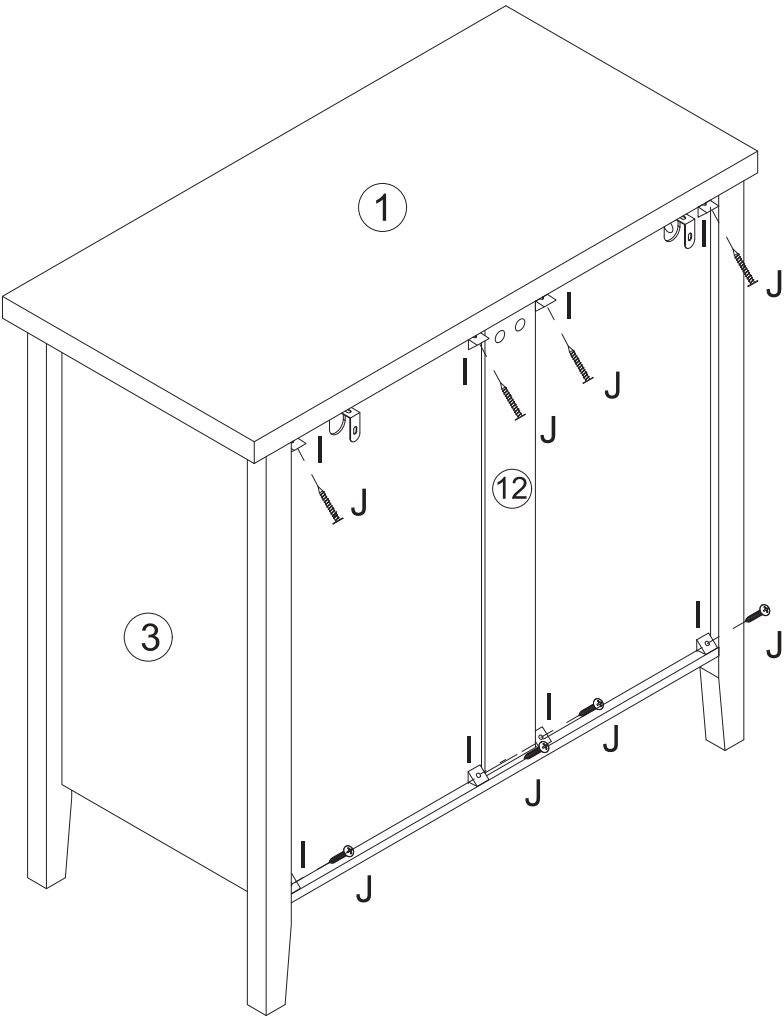
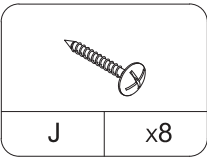
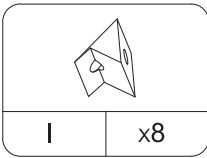


Step 9

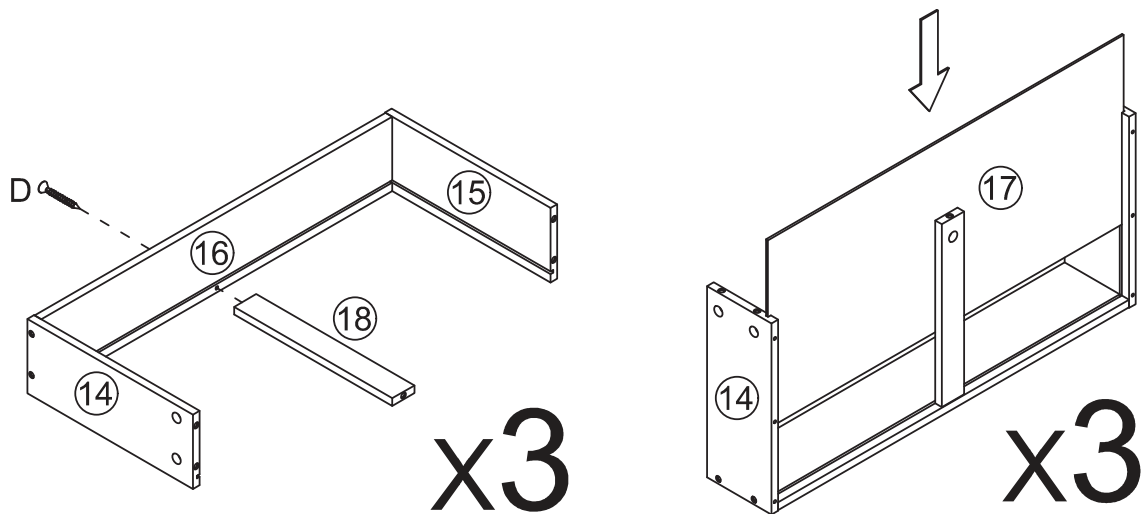
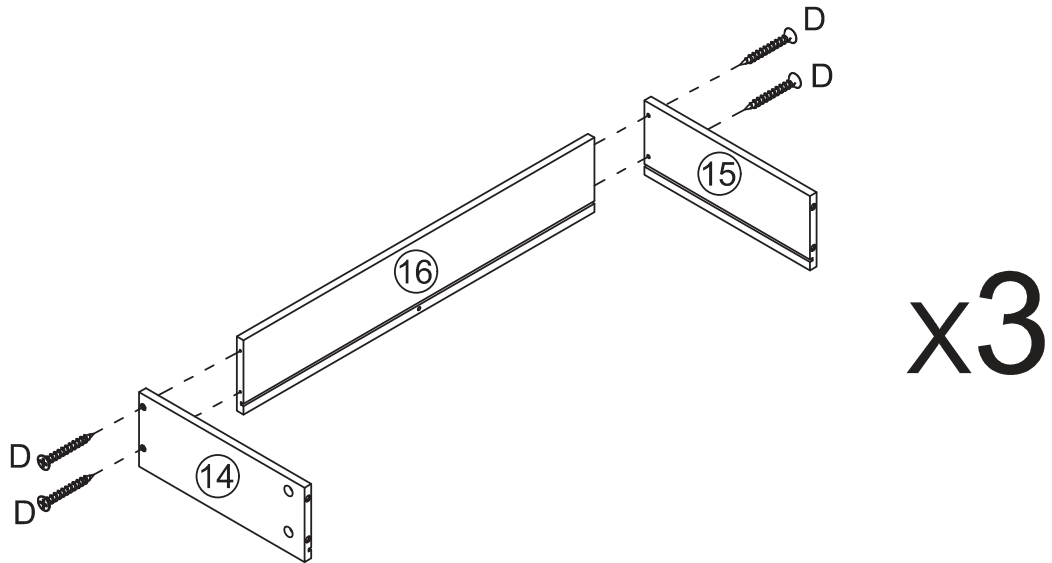
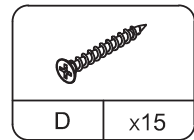
		
A x6	B x6	C x4
		
F x2	G x2	





Step 10

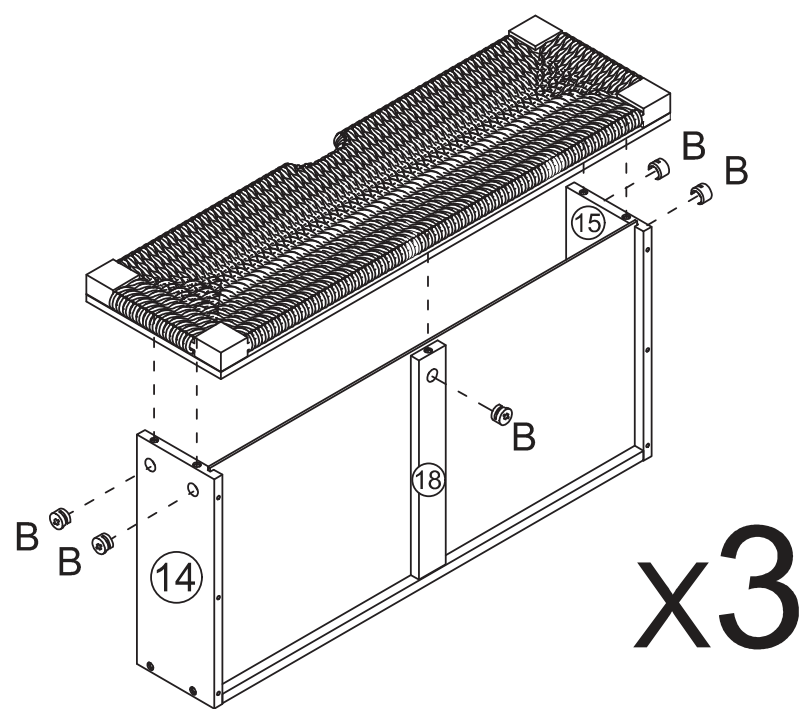
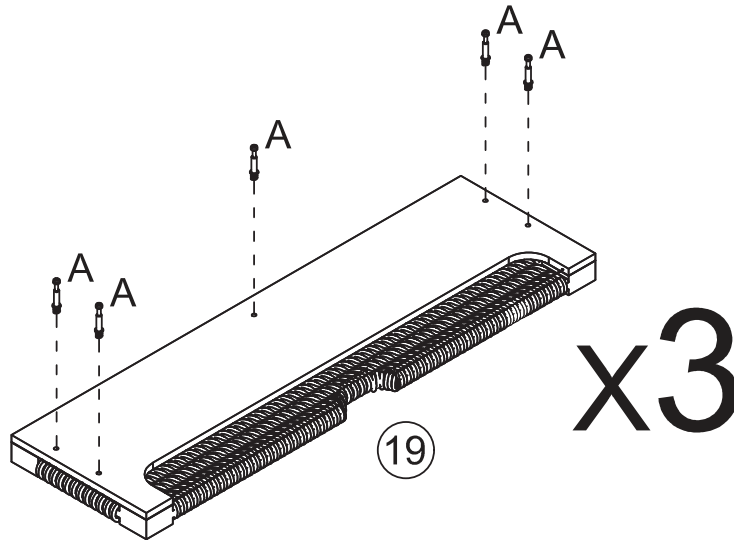


Step 11





Step 12

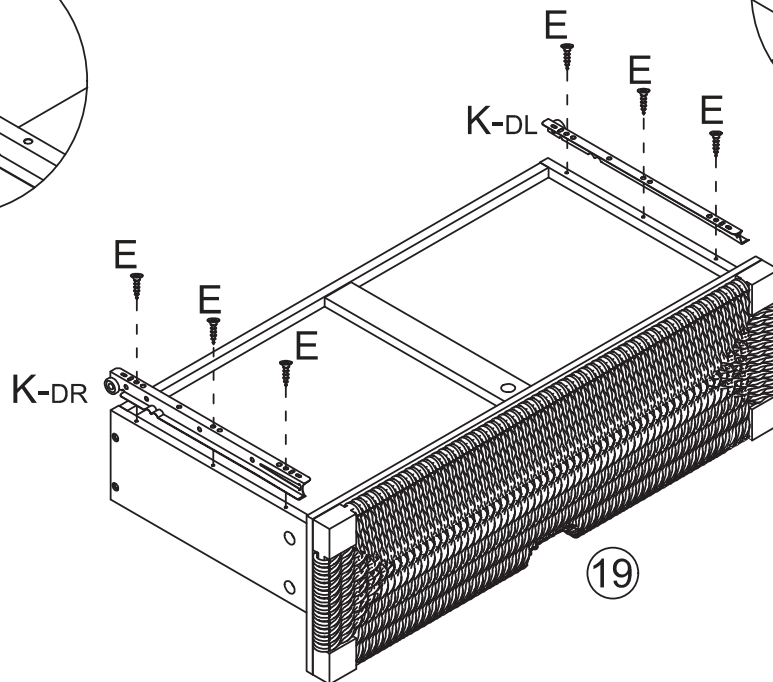
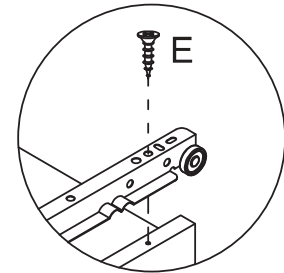
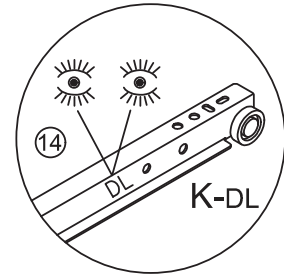
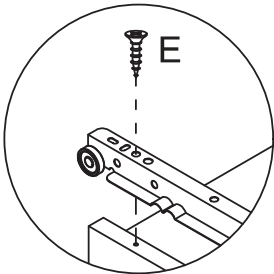
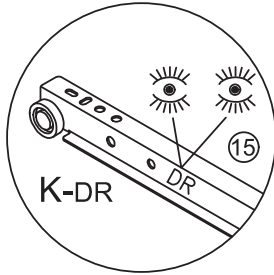
	
A	x15
B	x15



Step 13

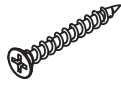

	
E	x18

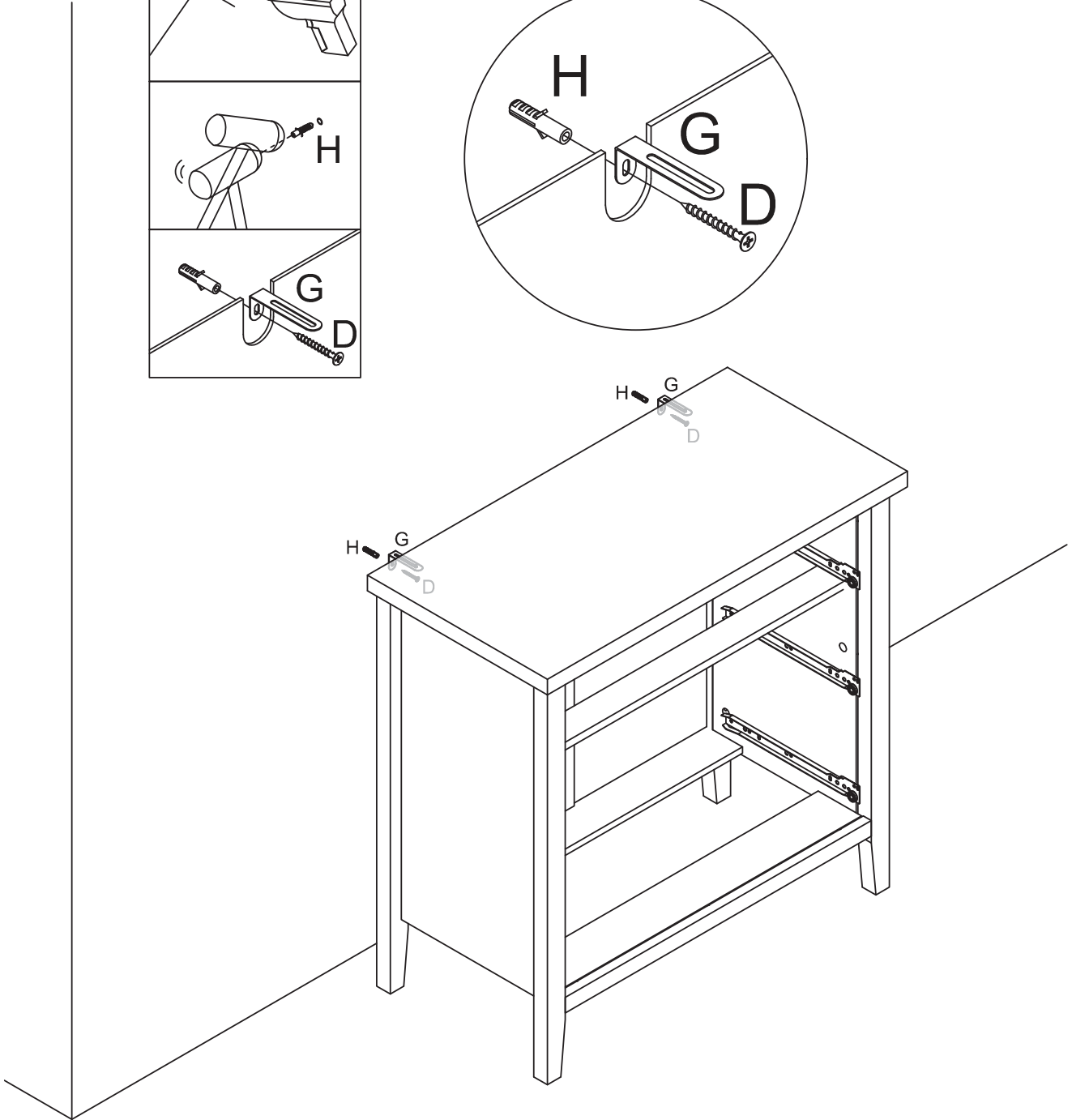
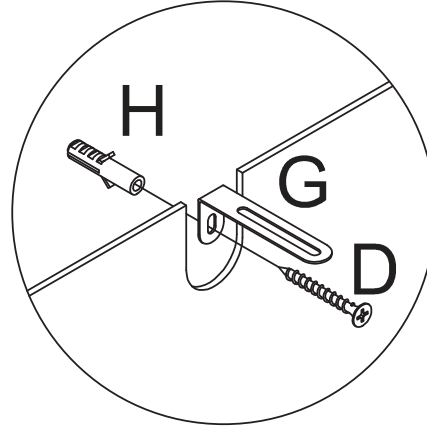
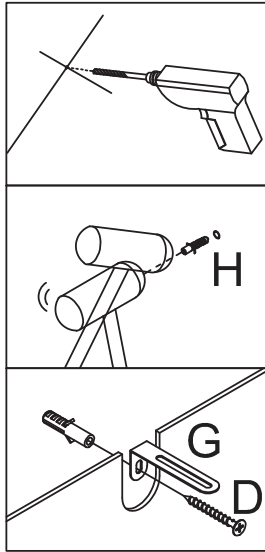
	
DL DR	
K	x3



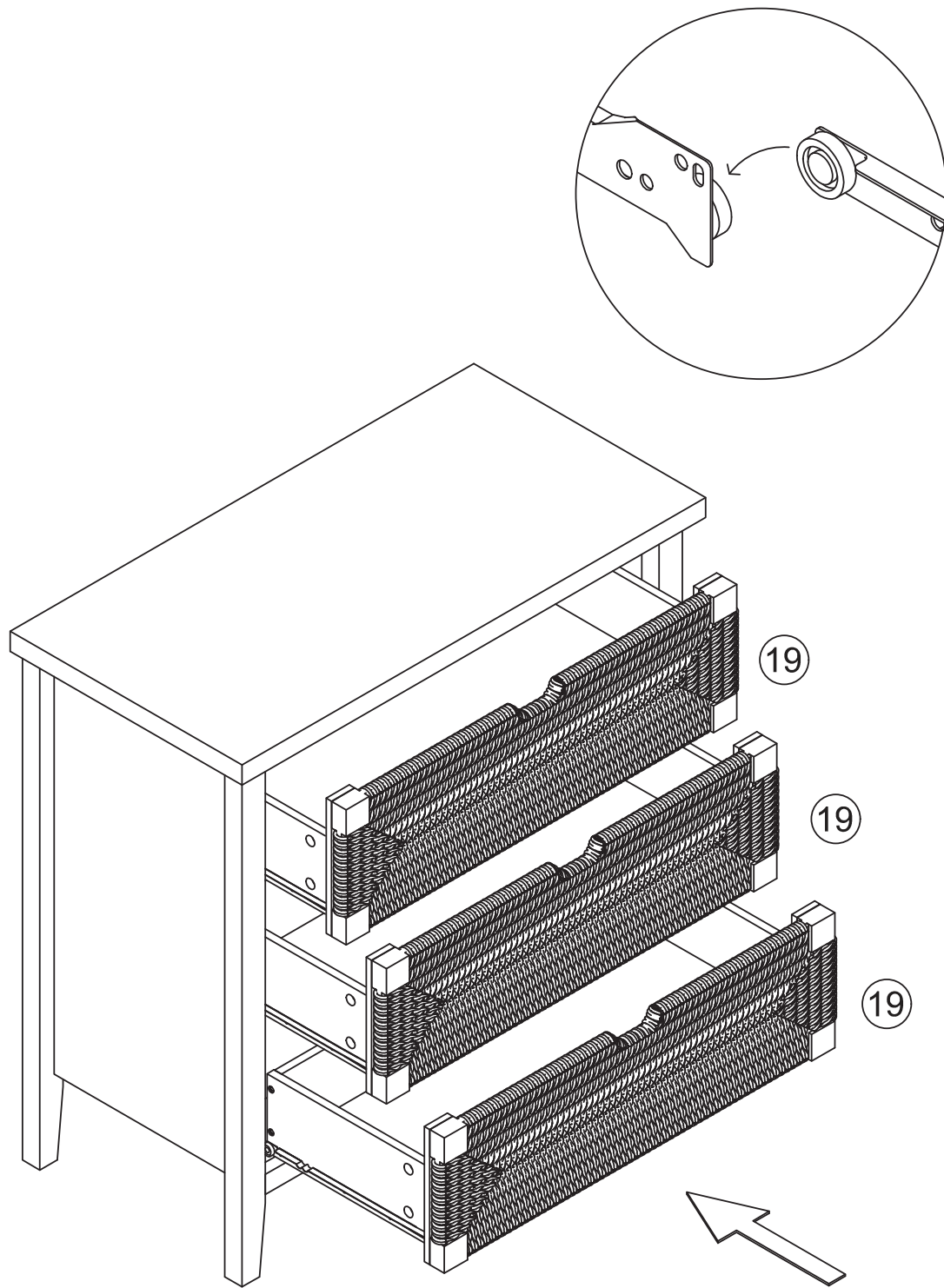
x3

Step 14

	
D	x2
H	x2



Step 15



Proper Use

- DO NOT use for commercial purposes
- DO NOT use as a step stool or stand on table
- DO NOT put hot serving liquid directly on the table top
- DO NOT leave spilled liquid on the table top
- DO NOT use table if damaged
- DO NOT exceed weight limit
- DO NOT make temporary repairs
- DO NOT use outdoor

Dear Customer :

Thank you for purchasing our product,we wish you satisfy our service,if you have any further questions or any quality issues, please show the belows number and don't hesitate to contact our Customer Service People