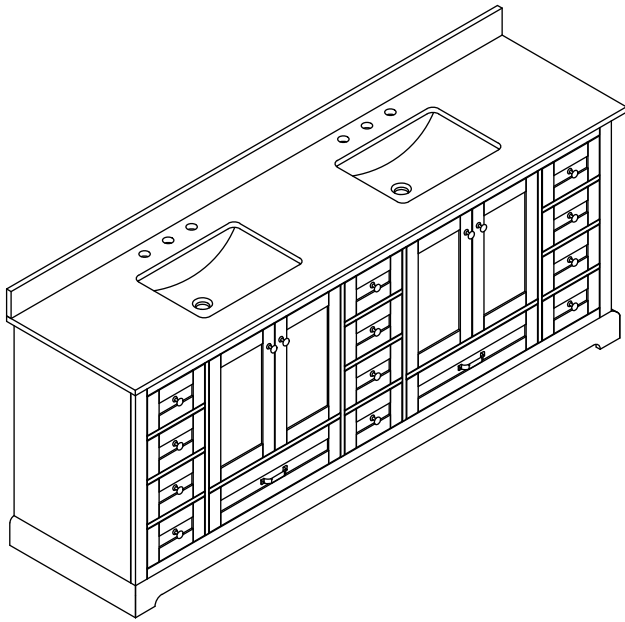


# BATHROOM VANITY SET

Colors/Finishes: OAK

Nominal Dimension:84W\*22D\*34 1/8H inches

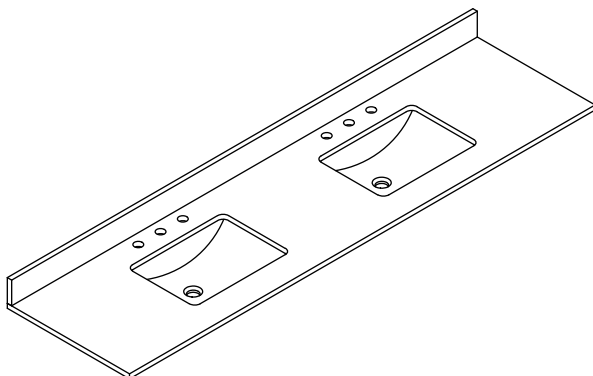


## VANITY FEATURES:

- 1.Material: OAK wood frame, high-quality plywood with OAK venner.
- 2.Doors: 4 soft-close doors, Soft-close hinges system.
- 3.Drawers: 14 soft-close drawers,concealed soft-close sliders.
- 4.Hardware: Metal Alloy
- 5.Installation Type: Freestanding
- 6.Built-in Adjusters: Adjustable height levelers
- 7.Vanity Top: Cultured Marble with 2 under mount sinks
- 8.Assemble required: No
- 9.Vanity top Included: Yes
- 10.Mirror Included: Optional
- 11.Medicine Cabinet Included: Optional

## Contents

- 84"Vanity.....PAGE2
- 84"Vanity Top.....PAGE3
- Vanity Installation.....PAGE4



## VANITY TOP FEATURES:

- 1.Material: Cultured Marble
- 2.Top Color: white
- 3.Sink: 2\*20"under mount rectangle sink
- 4.Faucet Holes: Top pre-drilled for 8"widespread faucet holes
- 5.Sink Certified: CUPC certified
- 6.Backsplash: 4"backsplash included
- 7.Faucet Included: No
- 8.Nominal Dimension(W\*D\*H): 84W\*22D\*0.79H inches

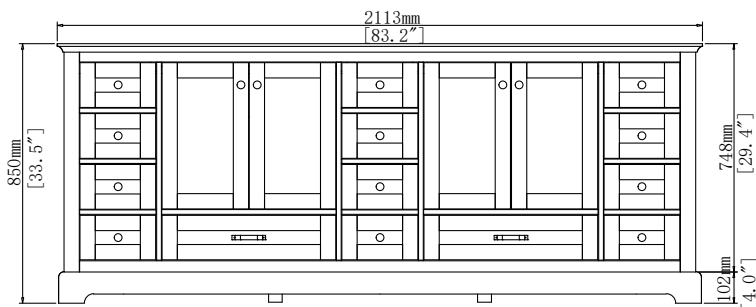
# BATHROOM VANITY SET

## COMPONENTS:

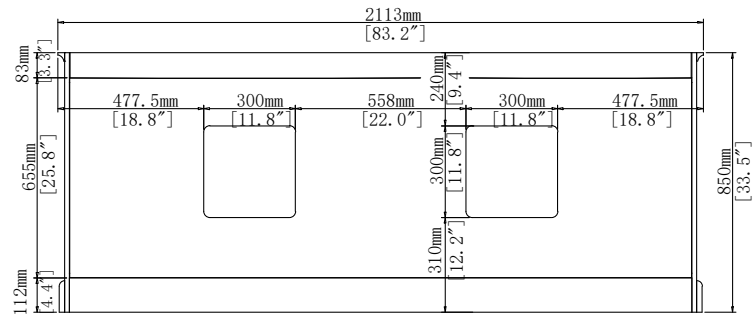
Vanity	1
Vanity Top	2

## PRODUCT DIAGRAMS:

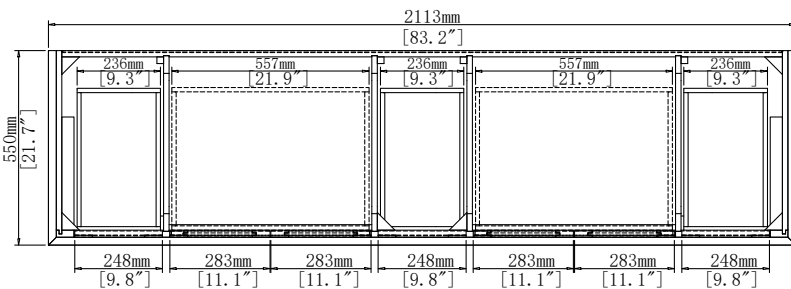
Front



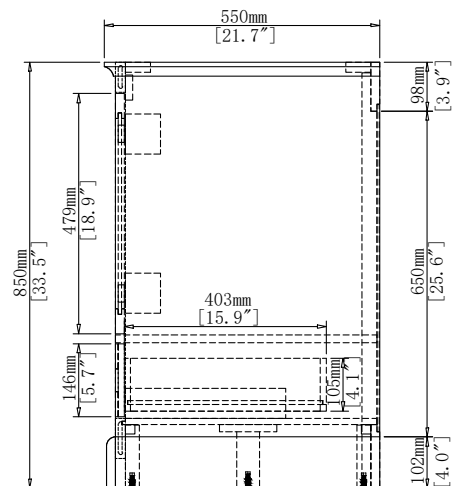
Back



Top



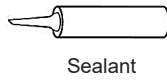
Side





# Vanity Installation

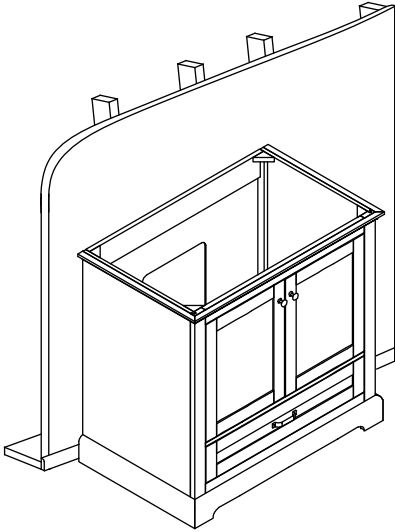
## SUGGESTED TOOLS AND MATERIALS:



## INSTALLATION INSTRUCTLONS

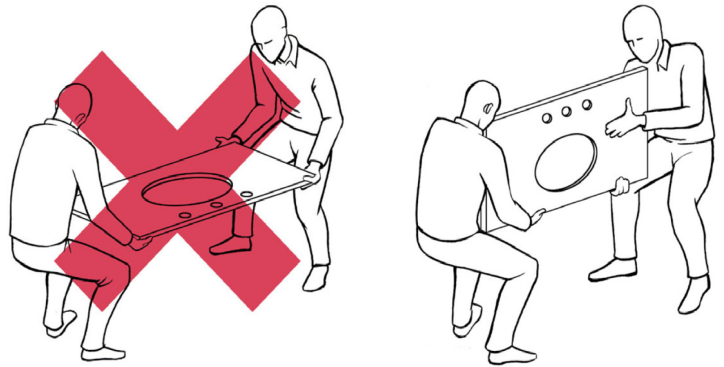
We recommend consulting a professional if you are unfamiliar with installing bathroom fixtures and plumbing .We accept no liability for any damage to the floor,plumbing, vanity cabinet,sink,counter top,or personal injury during installation.

**1**



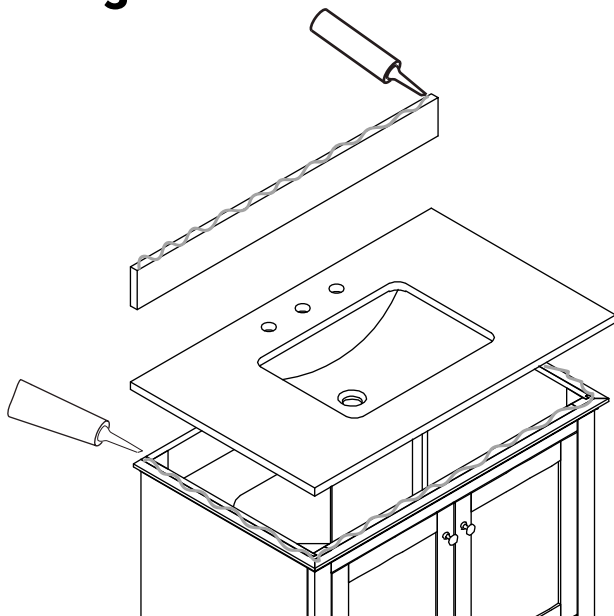
Remove vanity from box and examine vanity for any defects or damage.Carefully place vanity against wall.

**2**



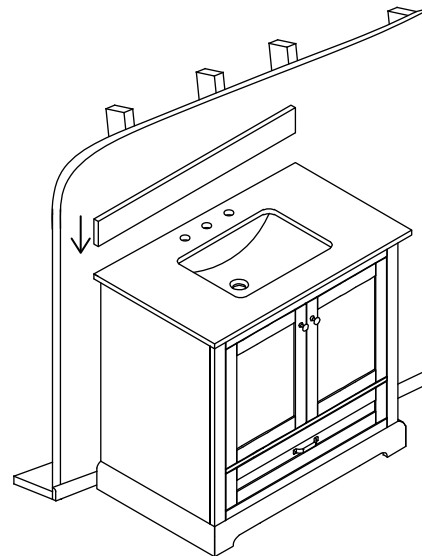
Always use a two man crew,a single person crew is much more likely to break or chip the stone top.

**3**



Apply bead of quality sealant evenly along the bottom of back splash and the top of the vanity.

**4**



Finally,place the bottom side of back splash with sealant onto the counter top and check alignment of back splash.