

THIS INSTRUCTION BOOKLET CONTAINS **IMPORTANT** SAFETY INFORMATION. PLEASE READ AND KEEP FOR FUTURE REFERENCE.

EN

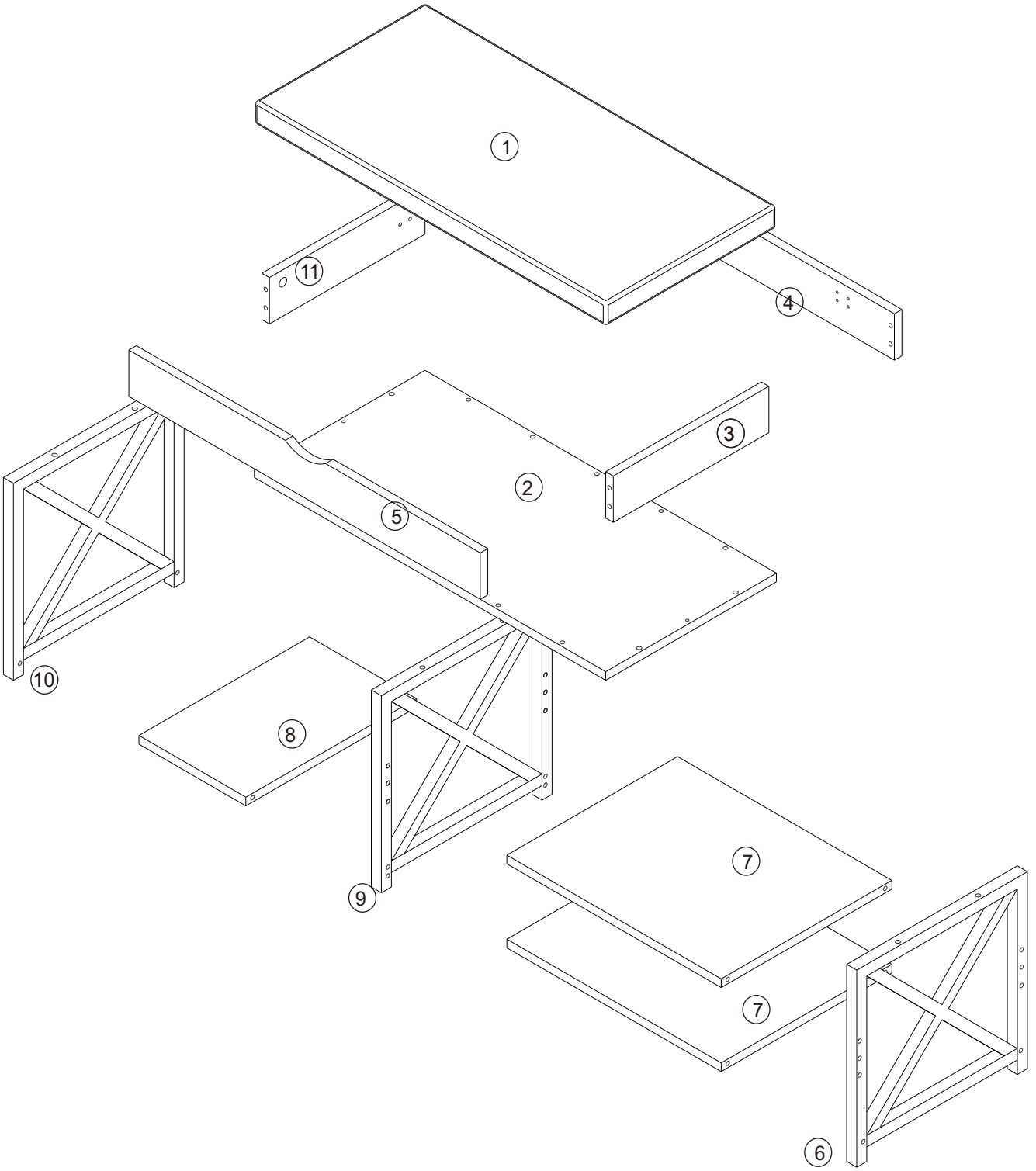


Before You Start

- ⚠ Please read all instructions carefully.
- ⚠ Retain instructions for future reference.
- ⚠ Separate and count all parts and hardware.
- ⚠ Read through each step carefully and follow the proper order.
- ⚠ We recommend that, where possible, all items are assembled near to the area in which they will be placed in use, to avoid moving the product unnecessarily once assembled.
- ⚠ Always place the product on a flat, steady and stable surface.
- ⚠ Keep all small parts and packaging materials for this product away from babies and children as they potentially pose a serious choking hazard.

If you're having difficulty, our friendly customer team is always here to help.





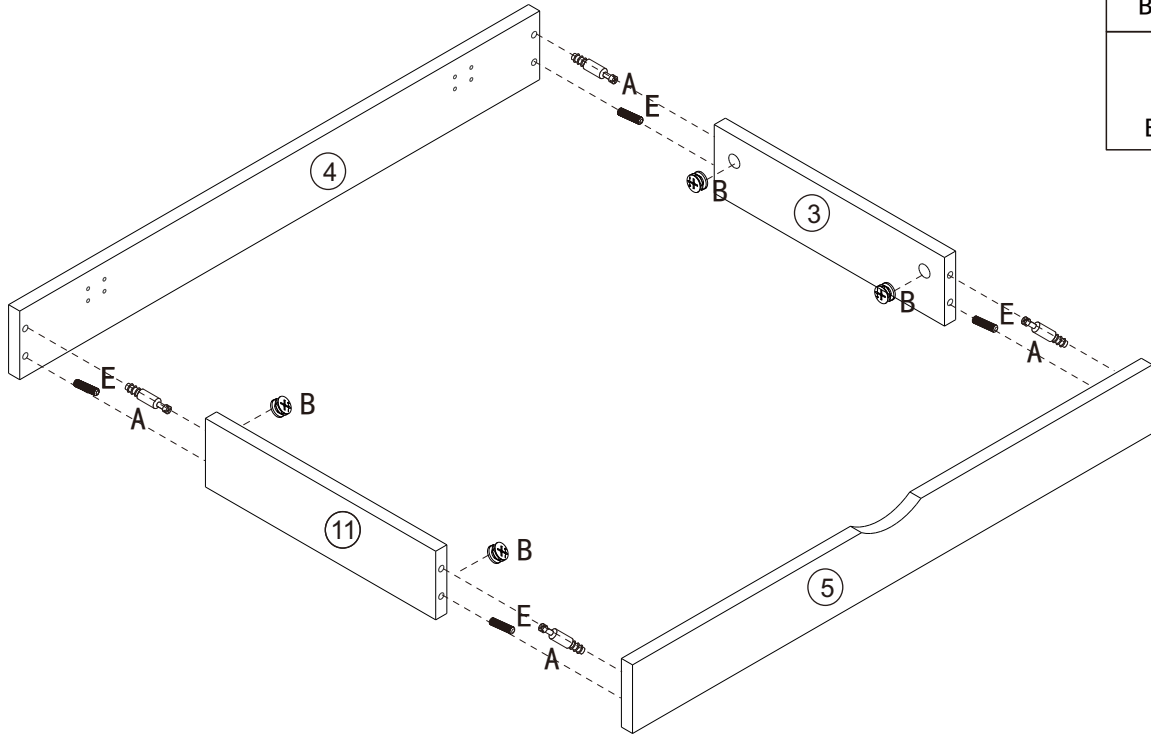
Parts and Operation Elements

① 1 pc	② 1 pc	③ 1 pc	④ 1 pc
⑤ 1 pc	⑥ 1 pcs	⑦ 2 pcs	⑧ 1 pc
⑨ 1 pc	⑩ 1 pc	⑪ 1 pc	

A 4 pcs	B 4 pcs	C 16 pcs	D 2 pcs	E 10 pcs	F 12 pcs
G 10 pcs	H 6 pcs	I 1 pc	K 1 pc		

Gently screw cam bolt into the threaded anchor.	Insert the wood dowel halfway into hole.	Arrow must face hole	Screw the camlock firmly into locked position.

1



A 4 pcs

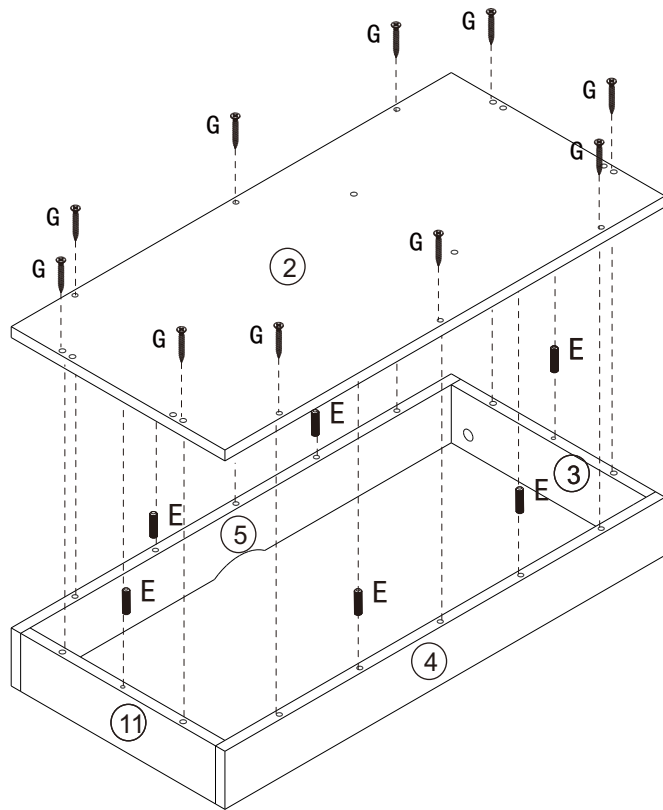


B 4 pcs



E 4 pcs

2

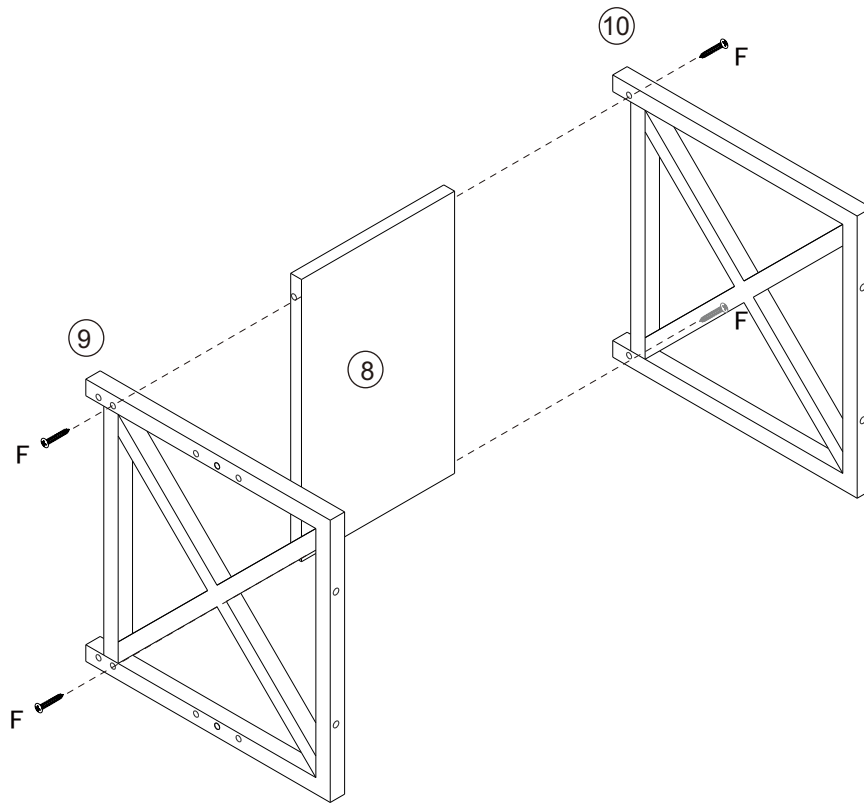
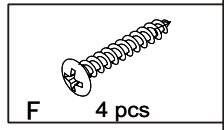


G 10 pcs

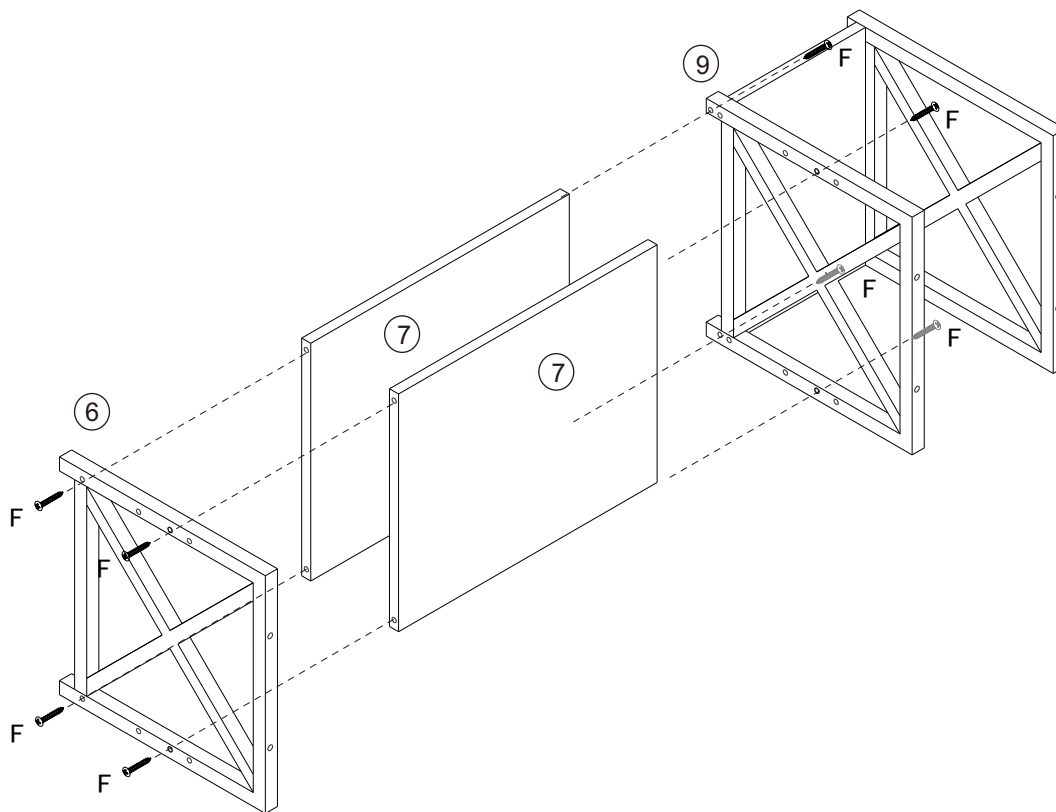
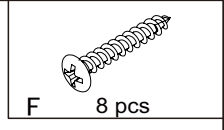


E 6 pcs

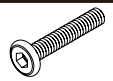
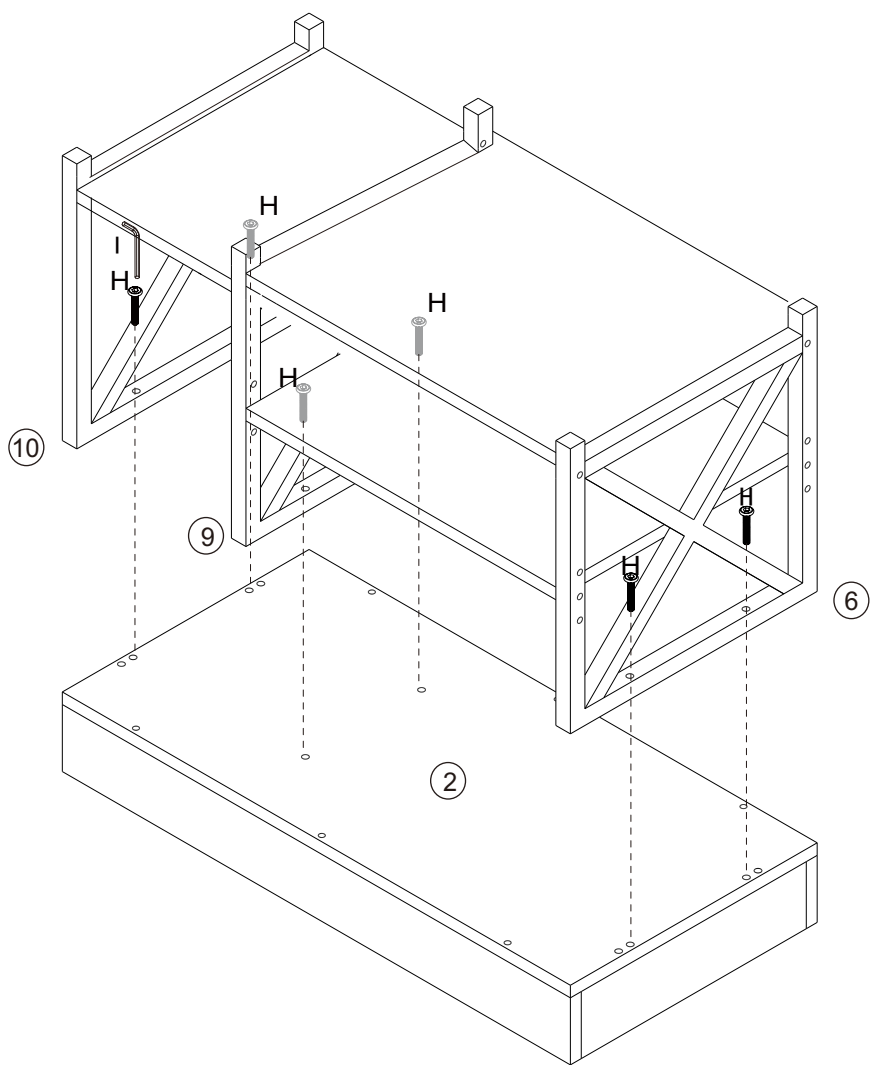
3



4



5

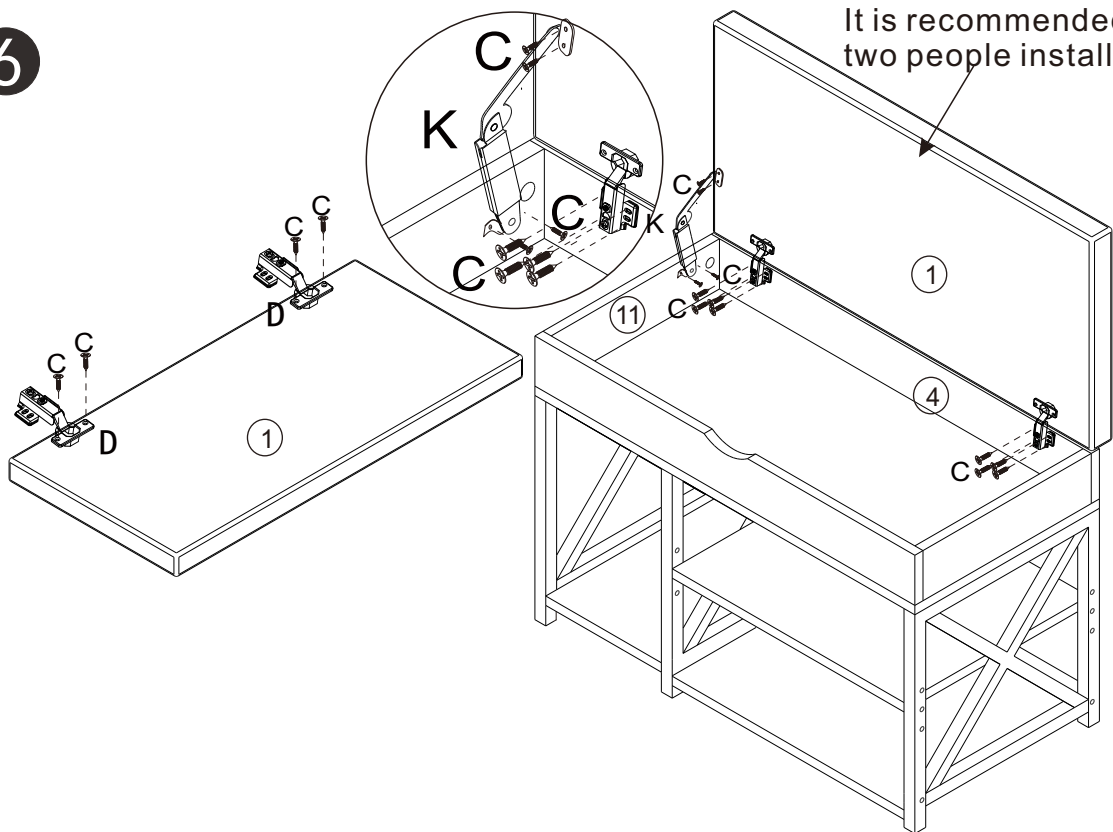


H 6 pcs

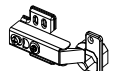


I 1 pc

6



C 16 pcs



D 2 pcs



K 1 pc