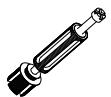


A



24PCS

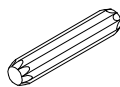
B



24PCS

C

8\*40



9PCS

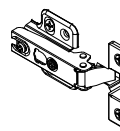
D

3.5\*14



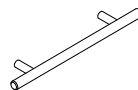
16PCS

E



4PCS

F



1PCS

G

4\*18



2PCS

H



8PCS

I

3\*12



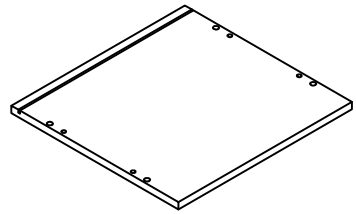
10PCS

J



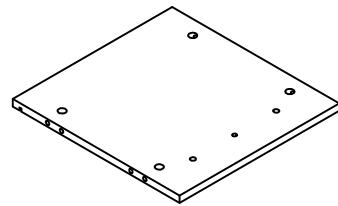
10PCS

1



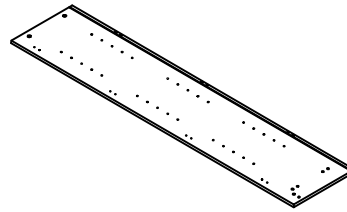
400\*385 1PS

2



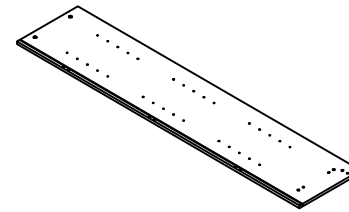
368\*385 1PS

3



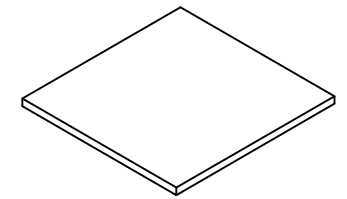
1785\*385 1PS

4



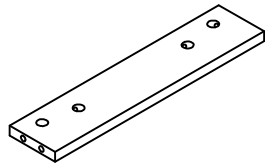
1785\*385 1PS

5



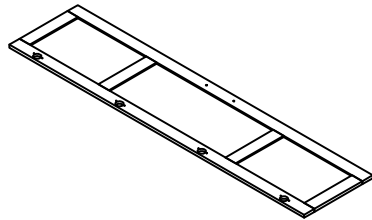
365\*335 2PS

6



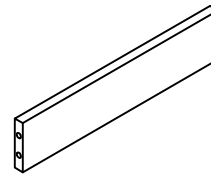
386\*80 1PS

7



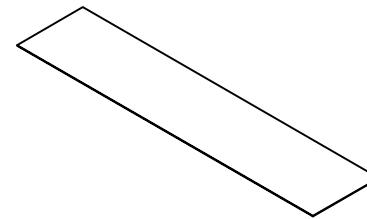
1720\*400 1PS

8



386\*80 1PS

9



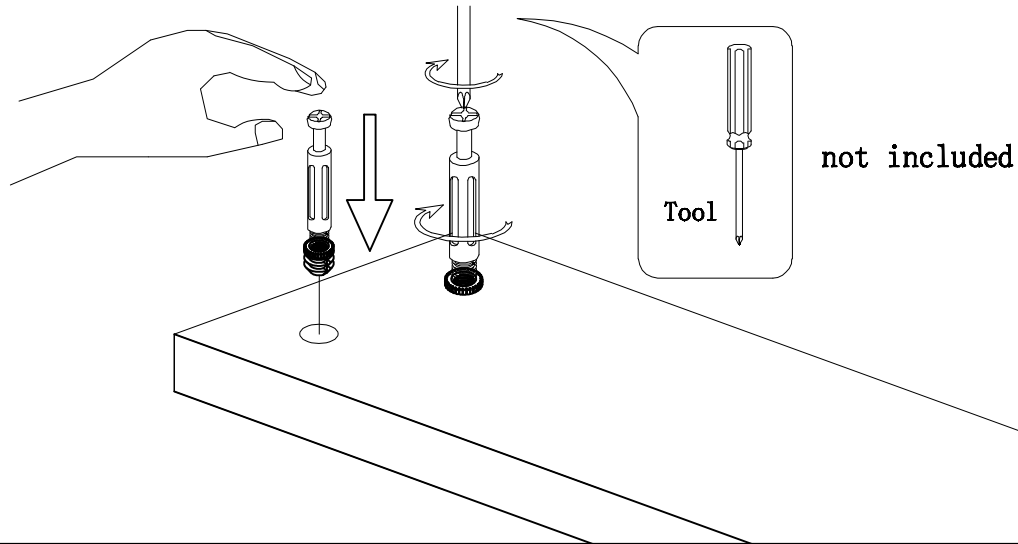
1700\*378 1PS



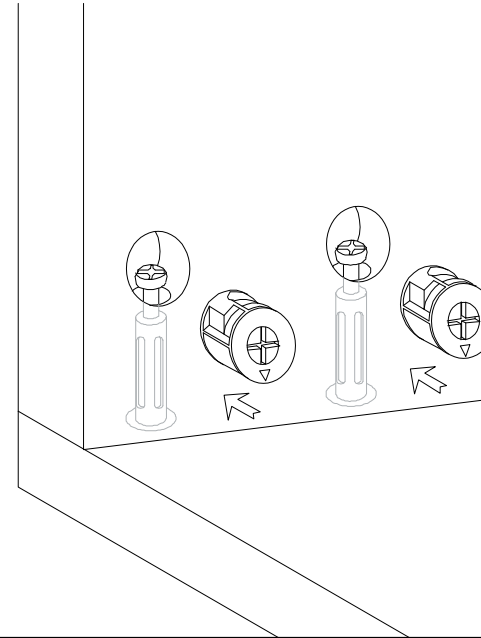
# Hardware installation demonstration

NOTE: Please make sure "A" hardware tightened and can't be pulled out!

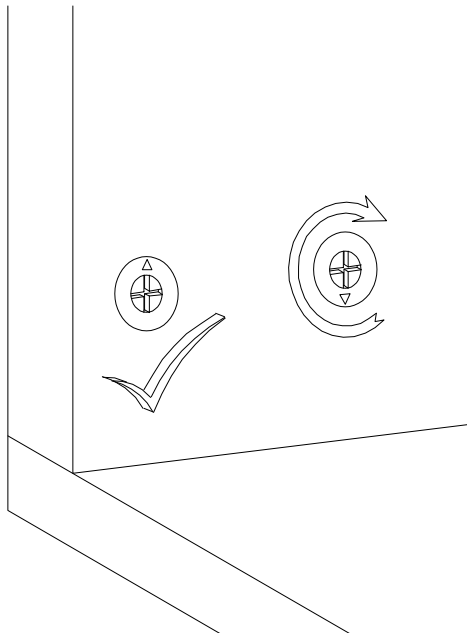
I



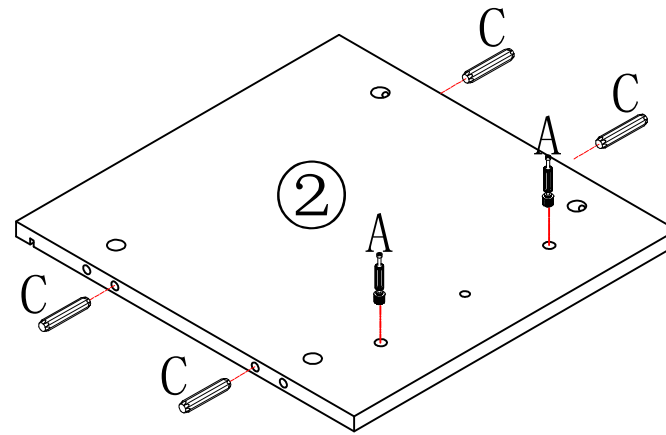
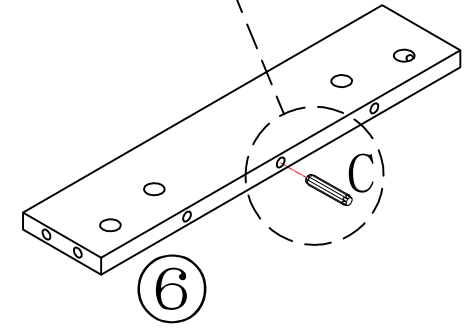
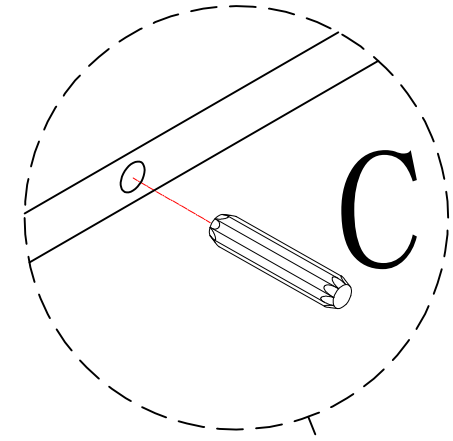
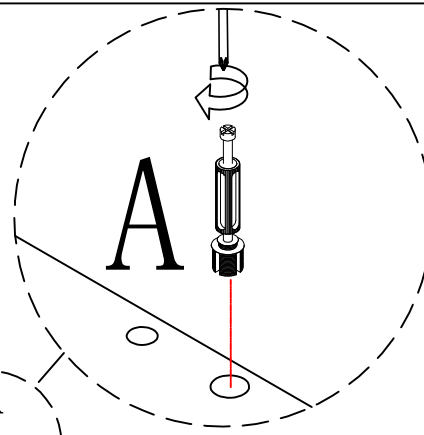
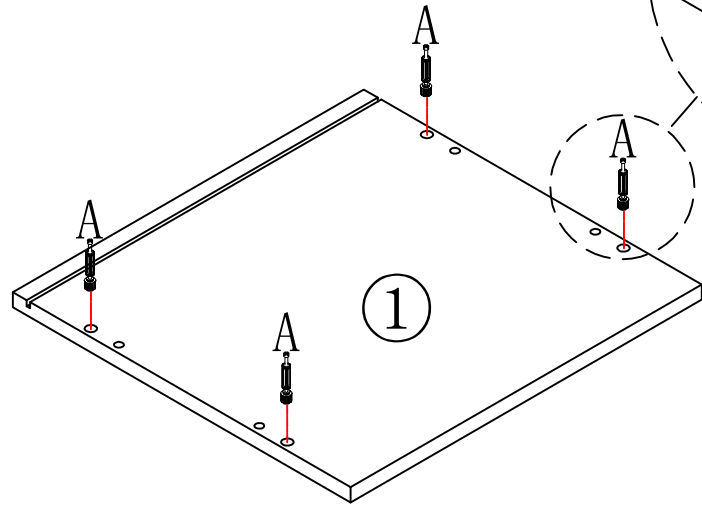
II



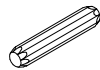
III



①



A\*6

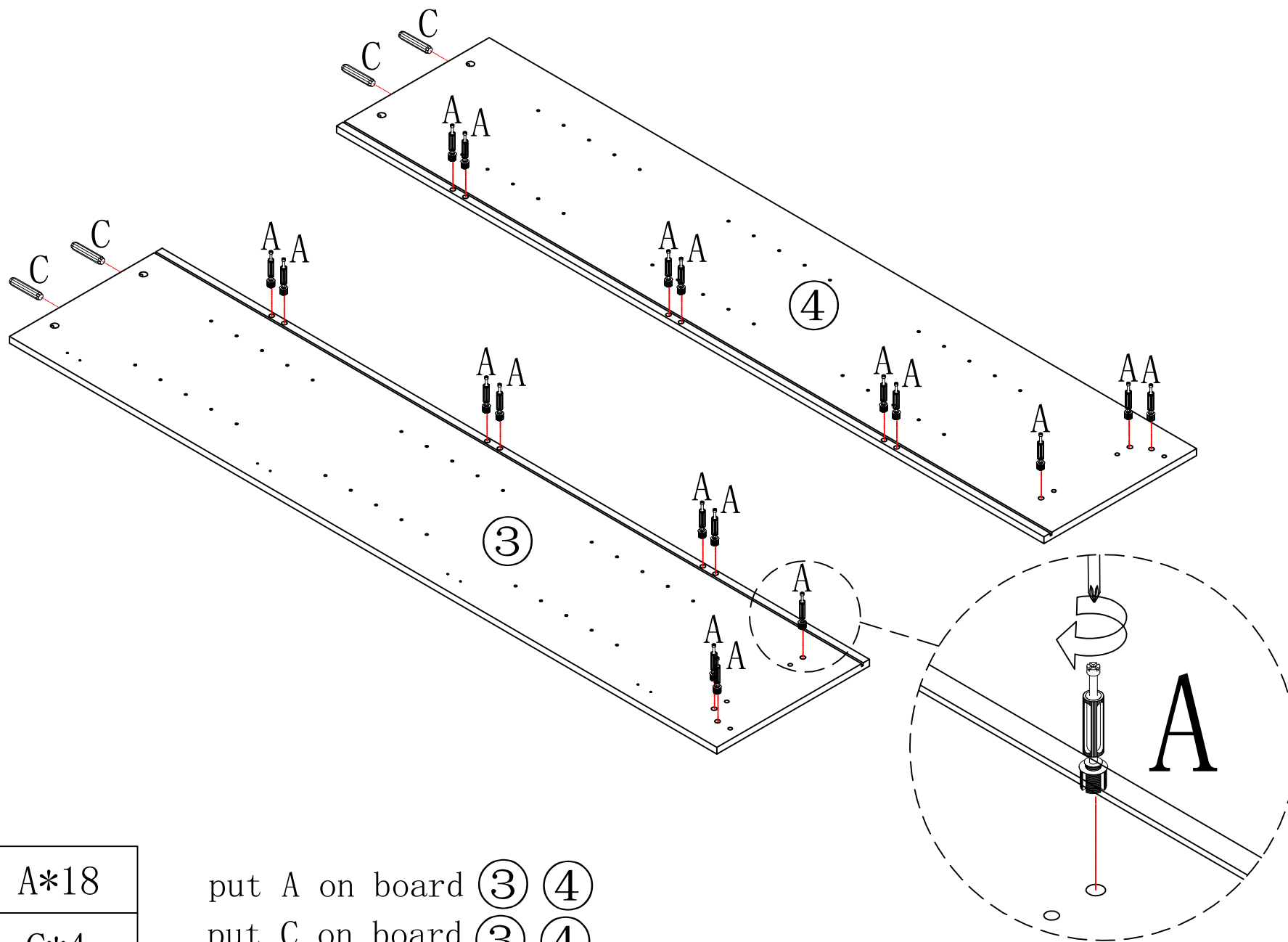



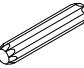
C\*5

put A on board ① ②

put C on board ⑥

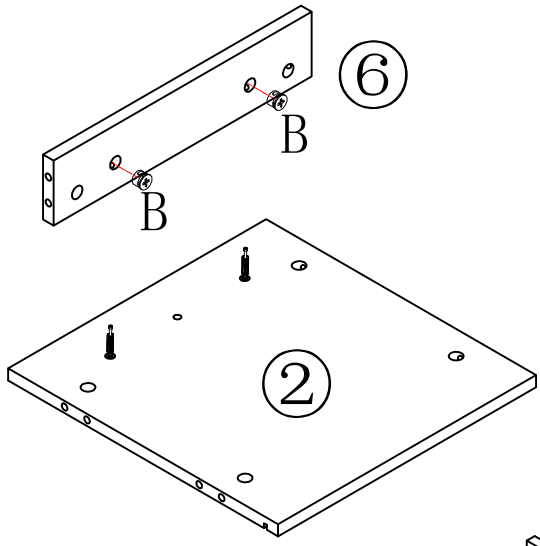
2



	A*18
	C*4

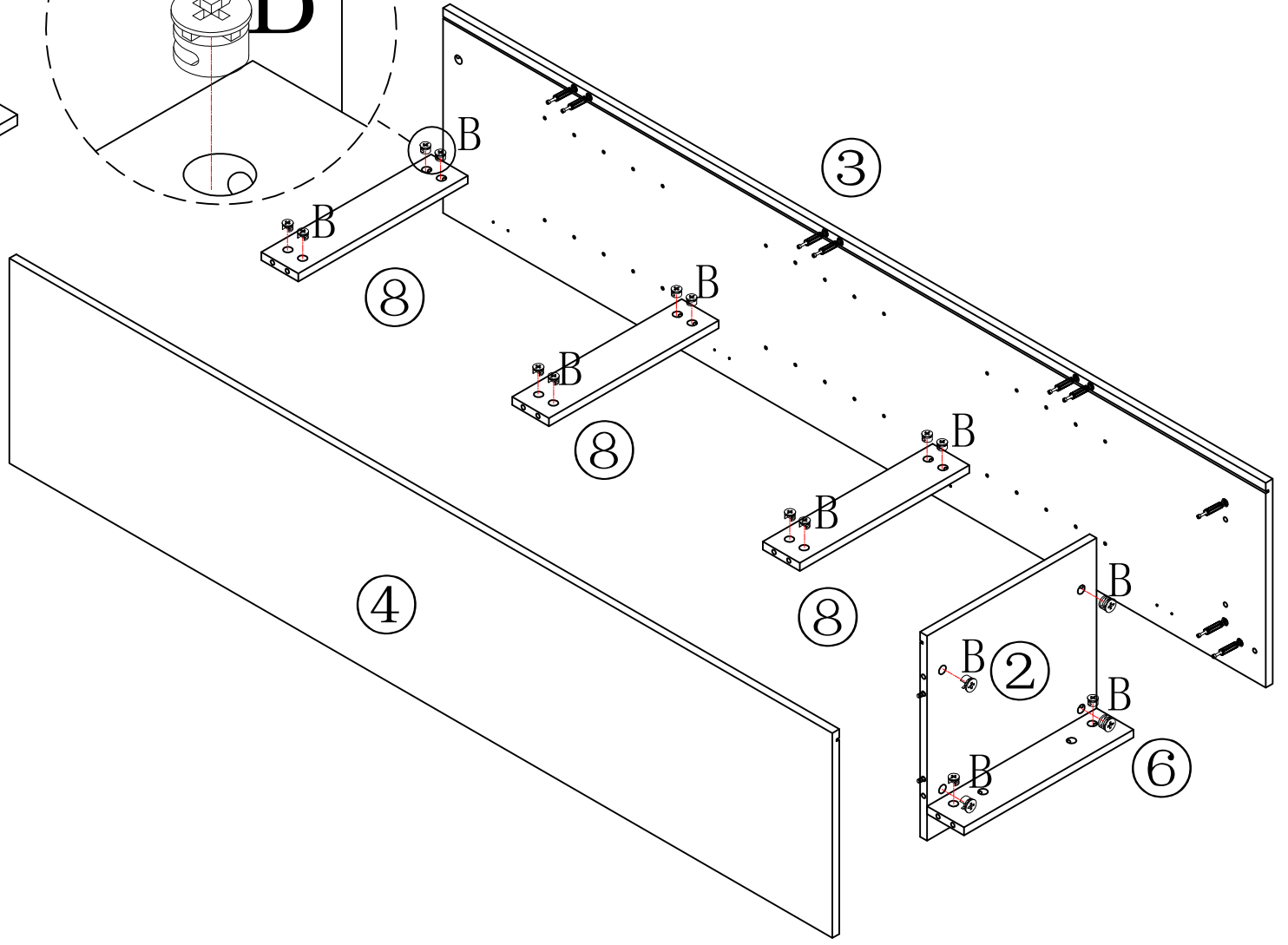
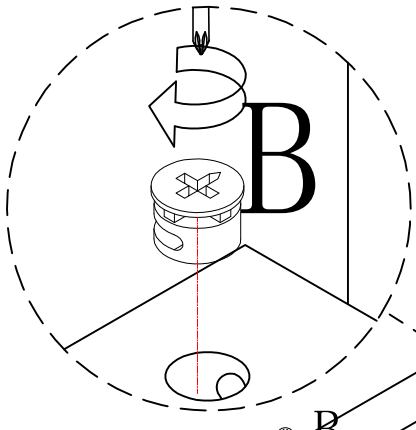
put A on board (3) (4)  
put C on board (3) (4)

3



6

Make sure the arrow on the screw align to the hole on the side



8

3

8

8

4

2

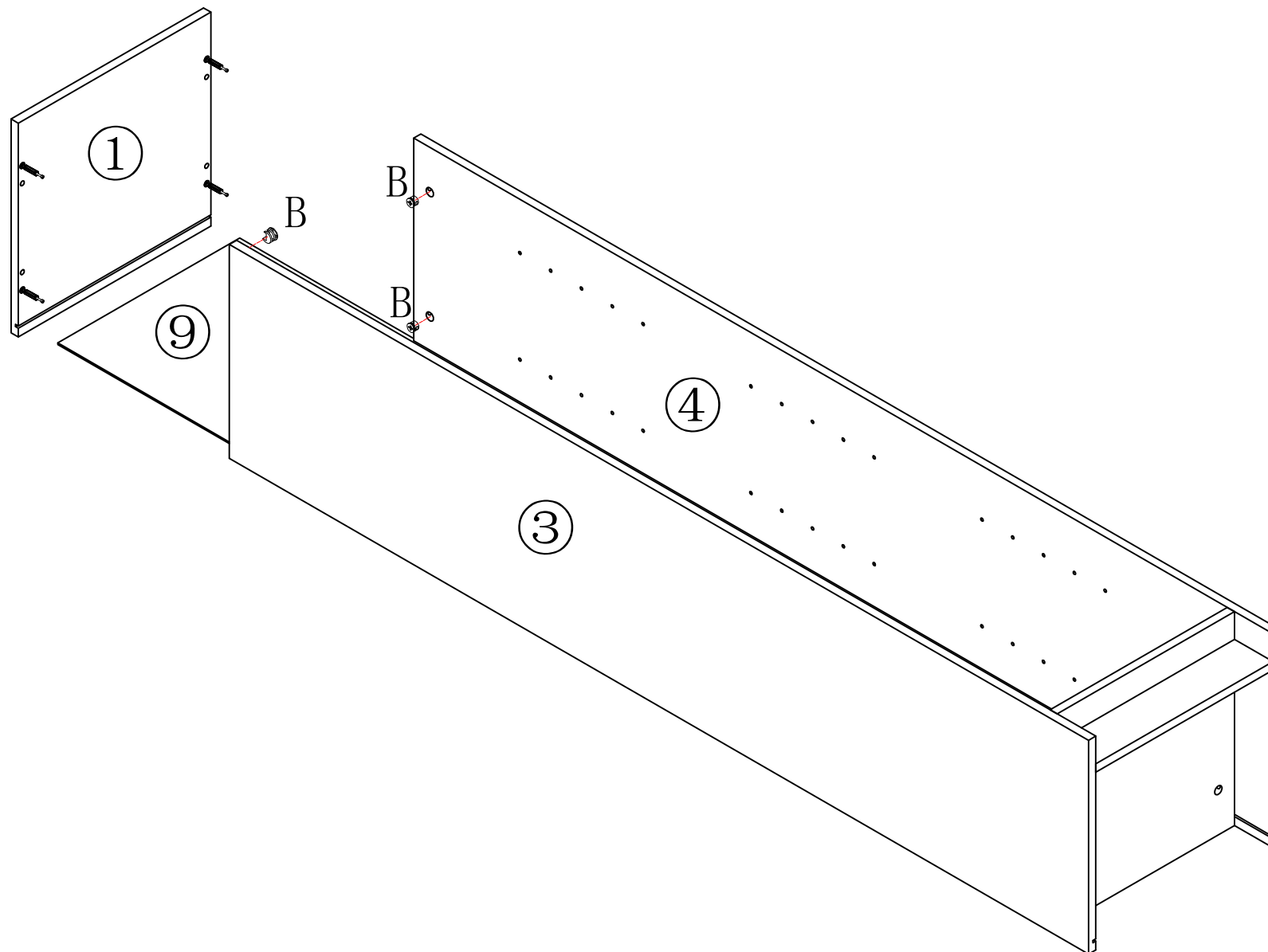
6



B\*20

put B on board 2 6 8

④

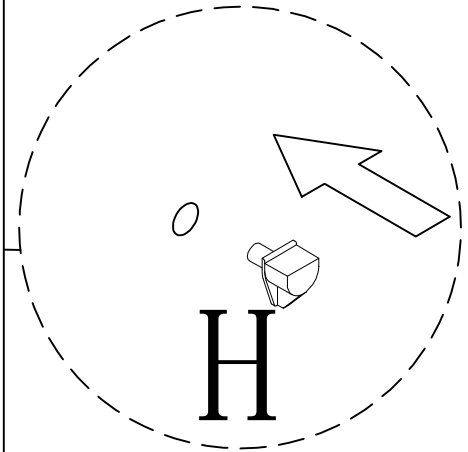
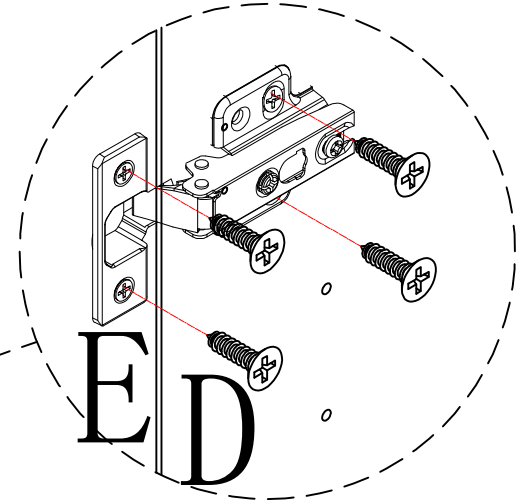
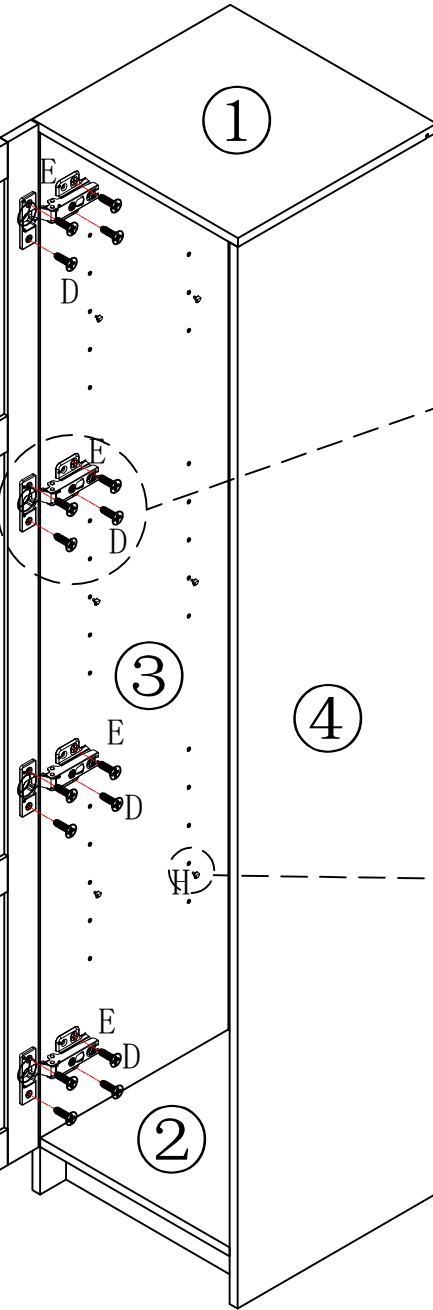
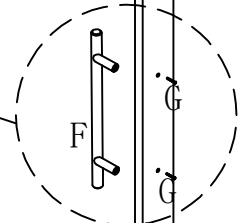
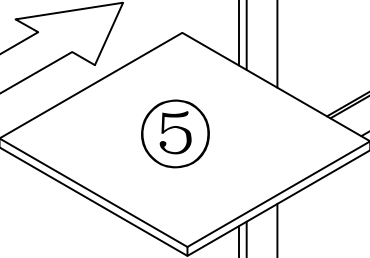
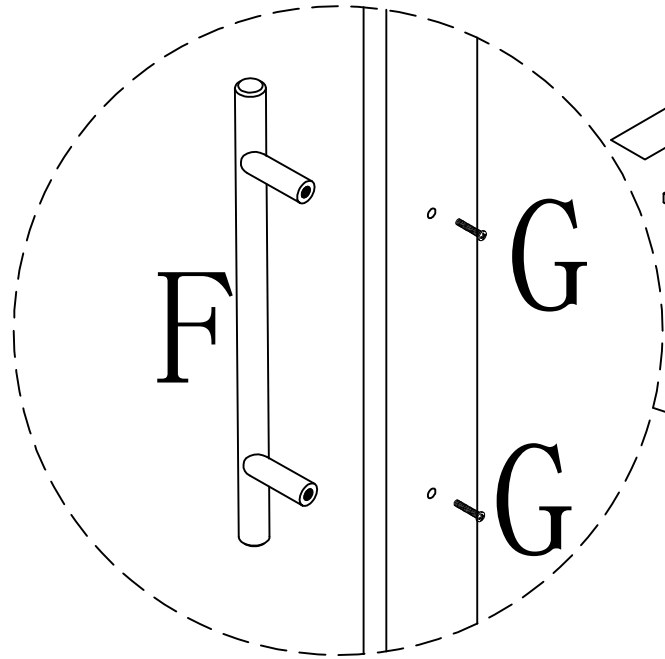




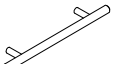
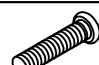
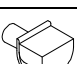
put B on board ③ ④



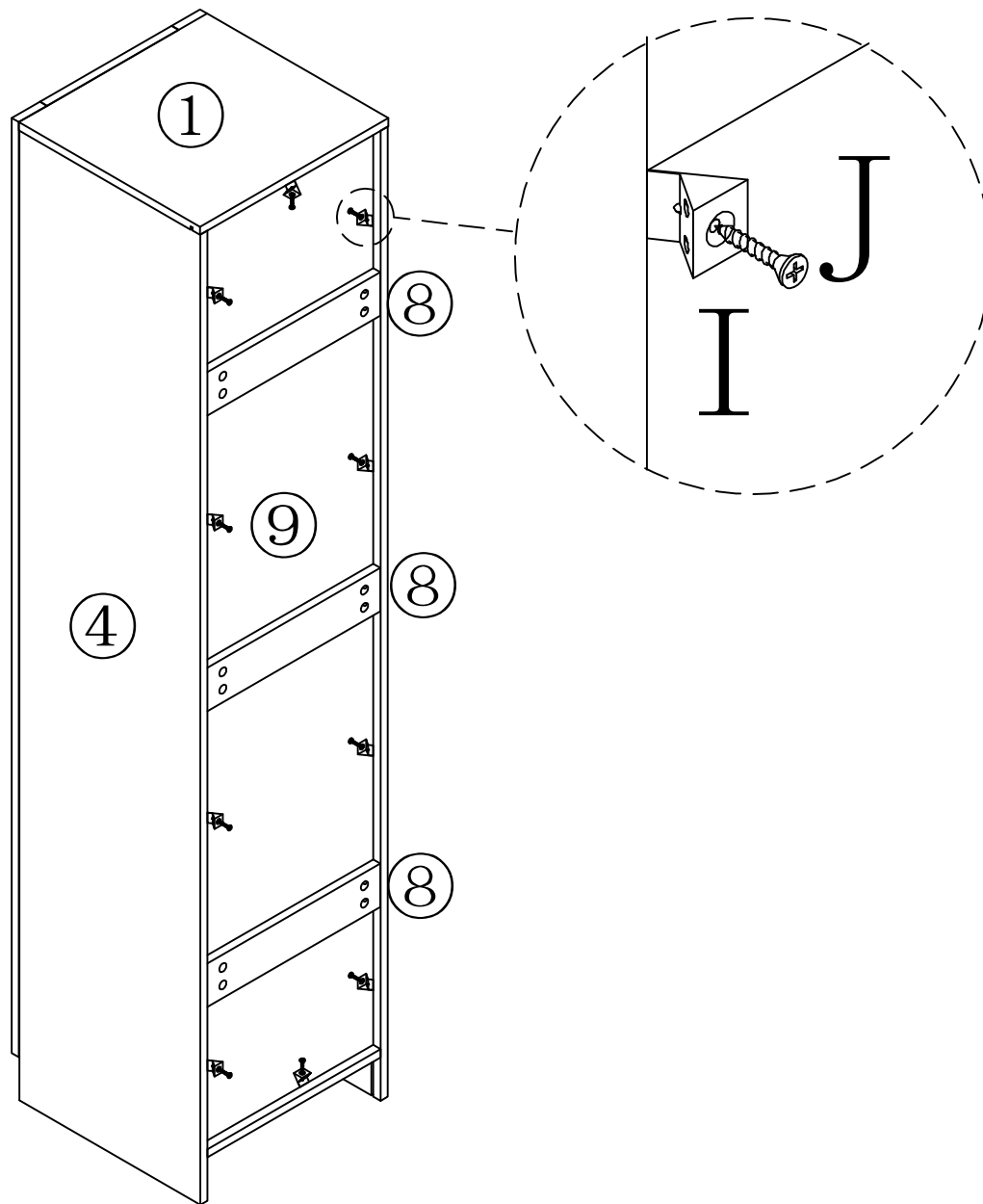
B\*4

5



	D*16
	E*4
	F*1
	G*2
	H*8

6

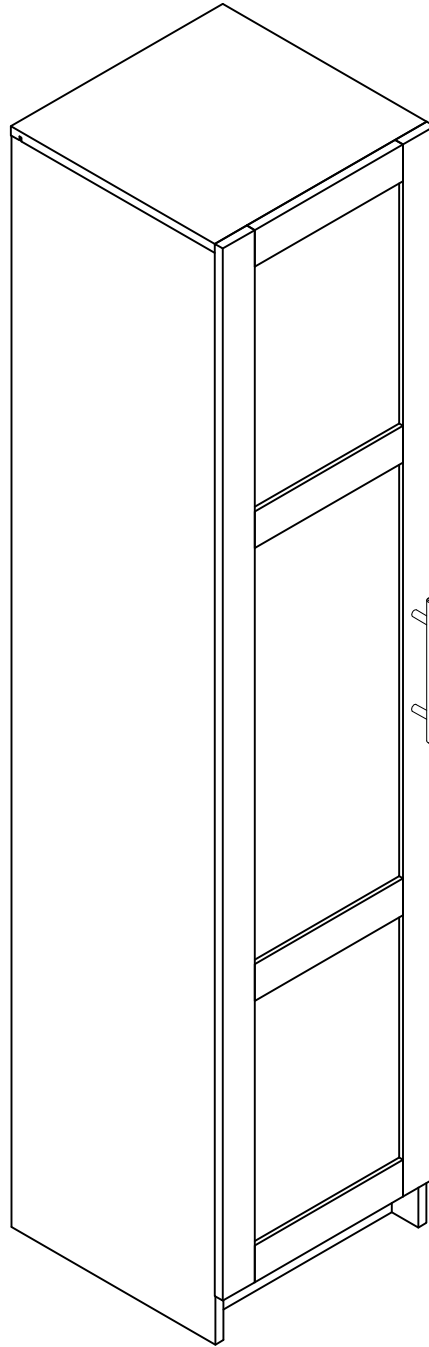


I\*10



J\*10

7



END