

ASSEMBLY INSTRUCTIONS



REVISED 0: 12/12/2024

SOFA

ASSEMBLY INSTRUCTIONS

ASSEMBLY TIPS:

1. Remove hardware from box and sort by size.
2. Please check to see that all hardware and parts are present prior to start of assembly.
3. Please follow attached instructions in the same sequence as numbered to assure fast and easy assembly.



WARNING!

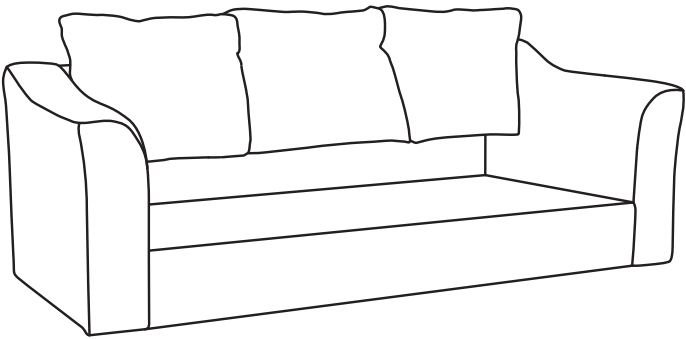
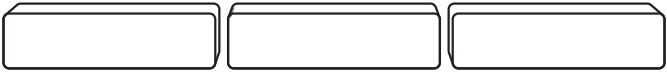


1. Don't attempt to repair or modify parts that are broken or defective. Please contact the store immediately.
2. This product is for home use only and not intended for commercial establishments.



ASSEMBLY TIME

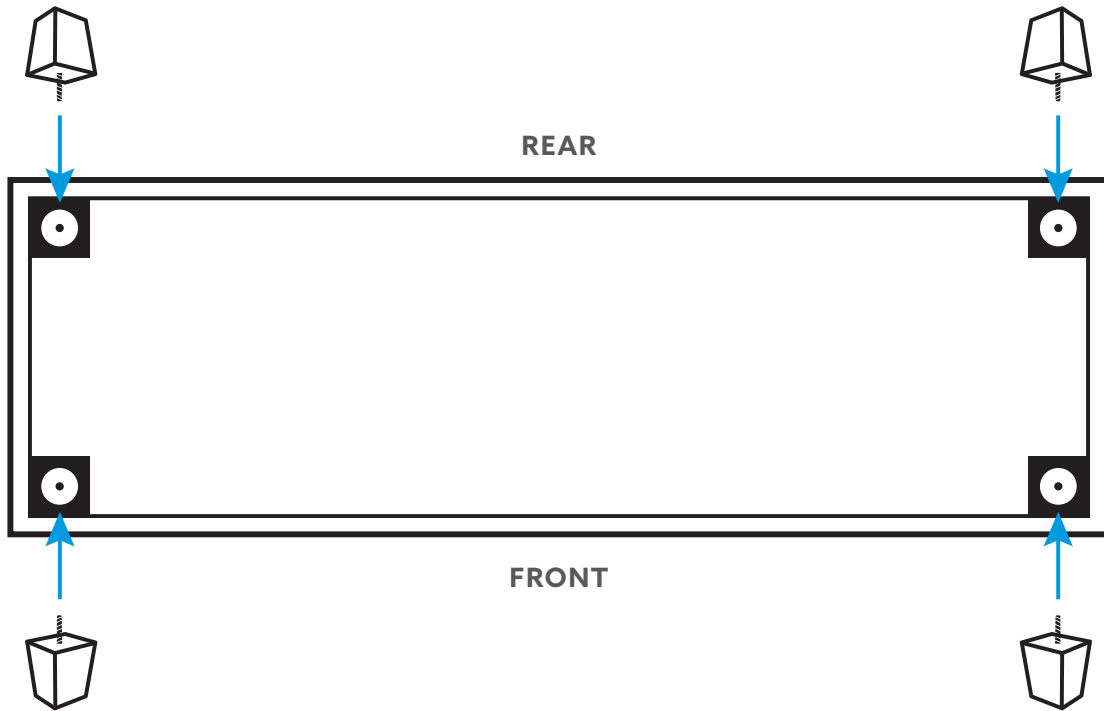
15
MINUTES

PARTS IDENTIFICATION

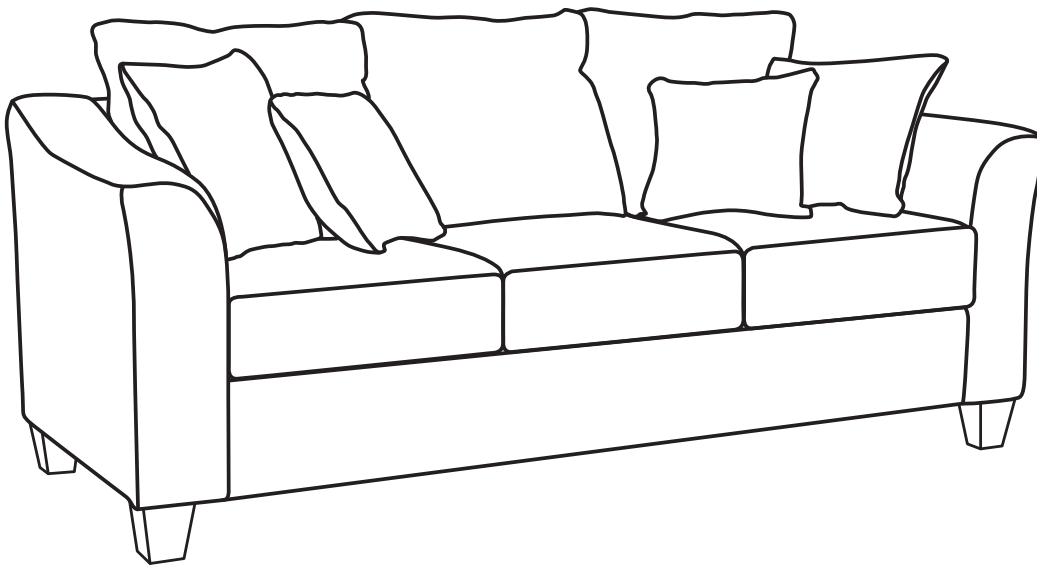
	PART NAME	FIGURE	QUANTITY
A	SOFA BASE	 <p><i>Please note back cushions should already be attached to sofa base.</i></p>	1 PC
B	SEAT CUSHION		3 PCS
C	ACCENT PILLOW		4 PCS
F	LEG		4 PCS

ASSEMBLY INSTRUCTIONS

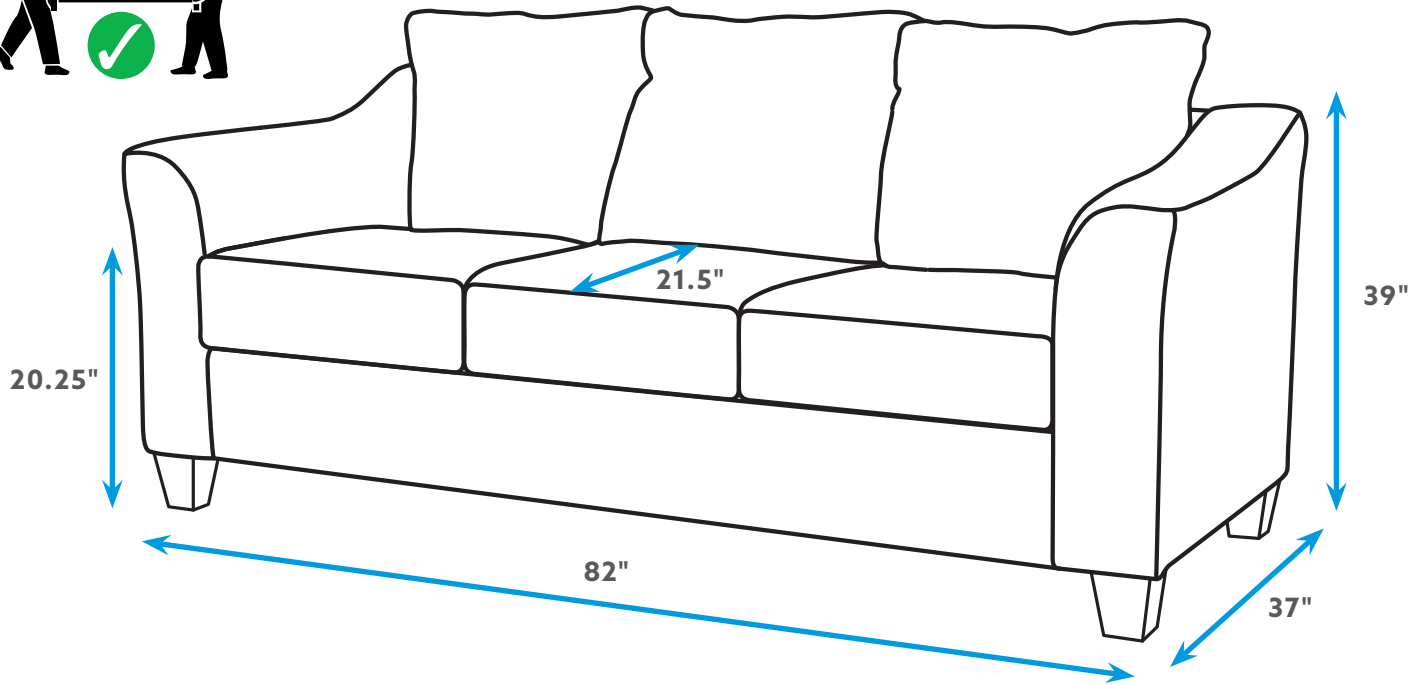
STEP 1 *Install front and rear legs on underside of sofa base.*



STEP 2 COMPLETE



DIMENSIONS



NOTE: Dimension tolerance $\pm 5\%$

ASSEMBLY INSTRUCTIONS



REVISED 0: 12/12/2024

LOVESEAT

ASSEMBLY INSTRUCTIONS

ASSEMBLY TIPS:

1. Remove hardware from box and sort by size.
2. Please check to see that all hardware and parts are present prior to start of assembly.
3. Please follow attached instructions in the same sequence as numbered to assure fast and easy assembly.



WARNING!

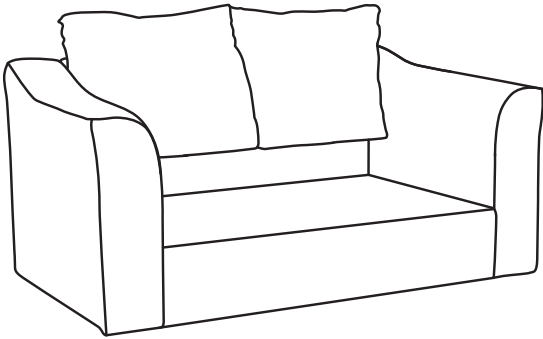



1. Don't attempt to repair or modify parts that are broken or defective. Please contact the store immediately.
2. This product is for home use only and not intended for commercial establishments.



ASSEMBLY TIME

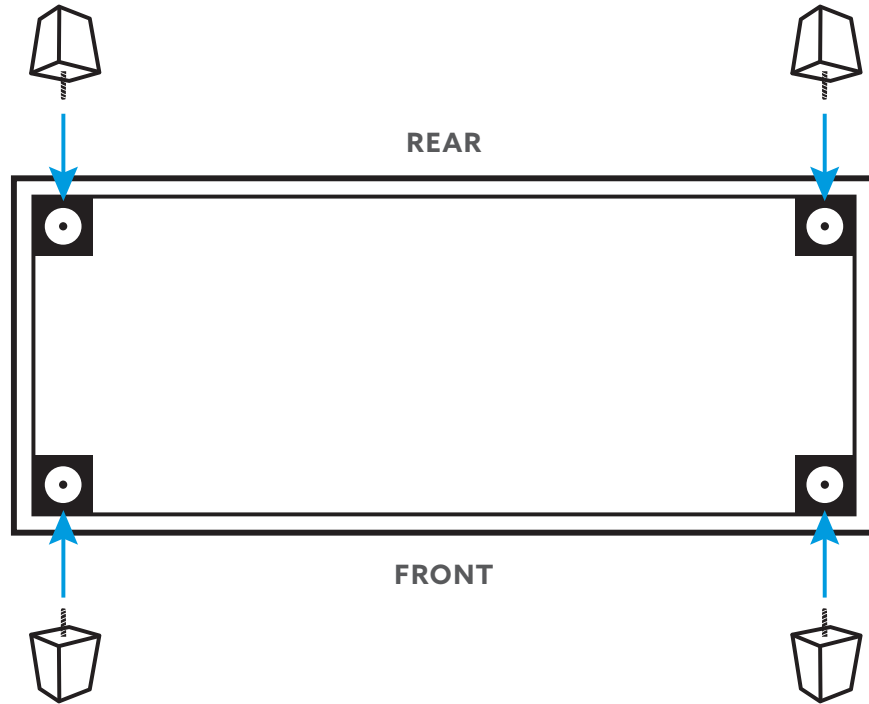
15
MINUTES

PARTS IDENTIFICATION

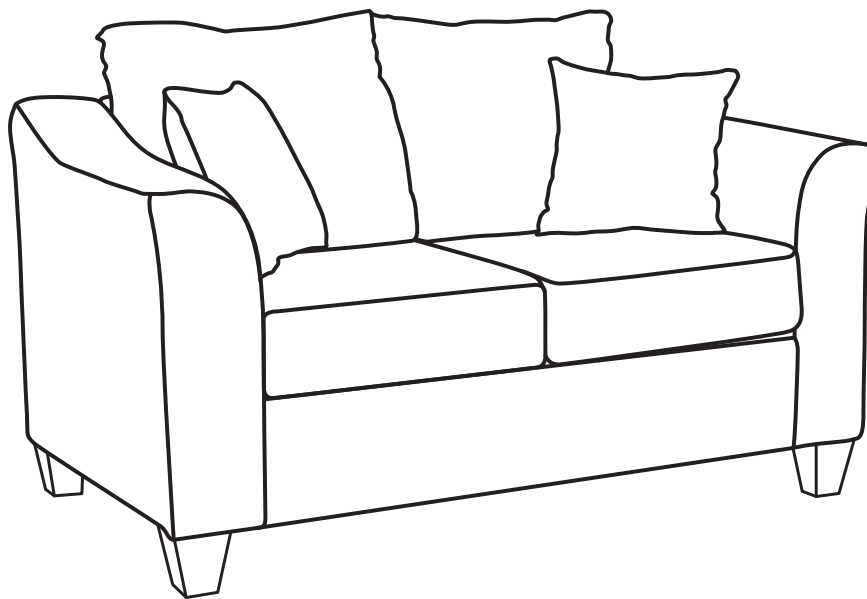
	PART NAME	FIGURE	QUANTITY
A	LOVESEAT BASE	 <p><i>Please note back cushions should already be attached to loveseat base.</i></p>	1 PC
B	SEAT CUSHION		2 PCS
C	ACCENT PILLOW		2 PCS
F	LEG		4 PCS

ASSEMBLY INSTRUCTIONS

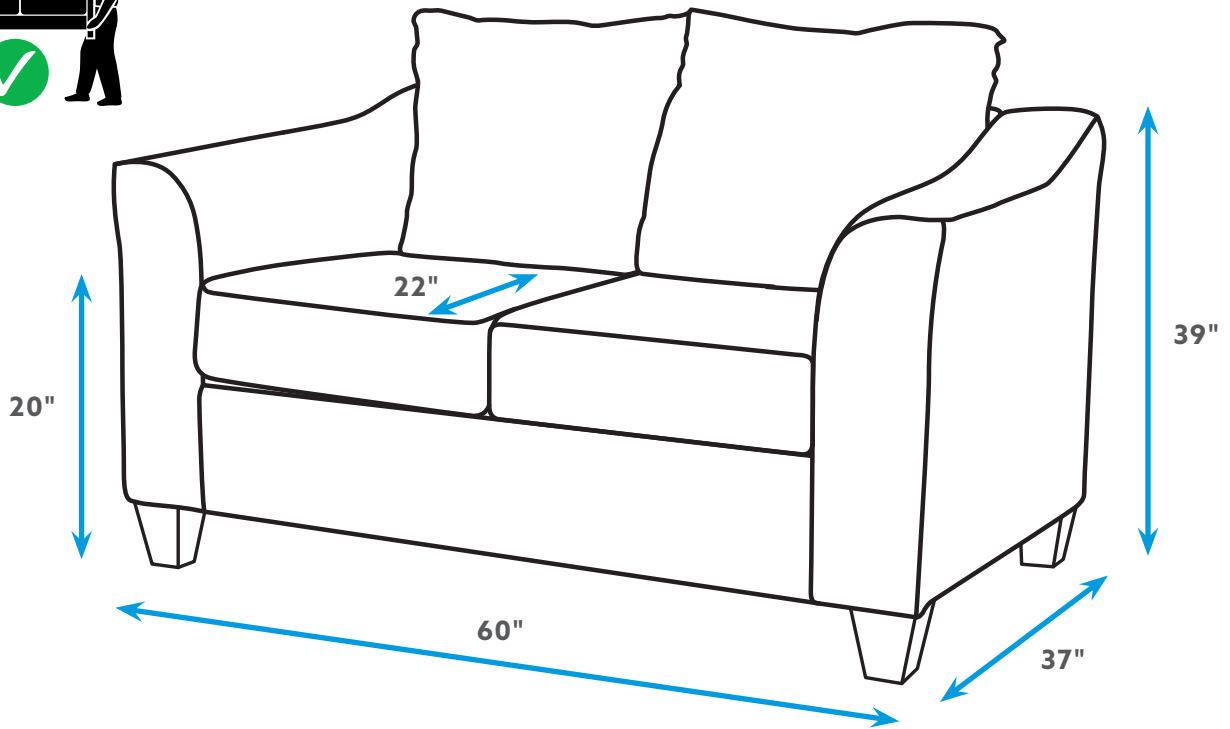
STEP 1 *Install front and rear legs on underside of loveseat base.*



STEP 2 COMPLETE



DIMENSIONS



NOTE: Dimension tolerance $\pm 5\%$

ASSEMBLY INSTRUCTIONS



REVISED 0: 12/12/2024

ACCENT CHAIR

coasterfurniture.com

ASSEMBLY INSTRUCTIONS

ASSEMBLY TIPS:

1. Remove hardware from box and sort by size.
2. Please check to see that all hardware and parts are present prior to start of assembly.
3. Please follow attached instructions in the same sequence as numbered to assure fast and easy assembly.



WARNING!

1. Don't attempt to repair or modify parts that are broken or defective. Please contact the store immediately.
2. This product is for home use only and not intended for commercial establishments.

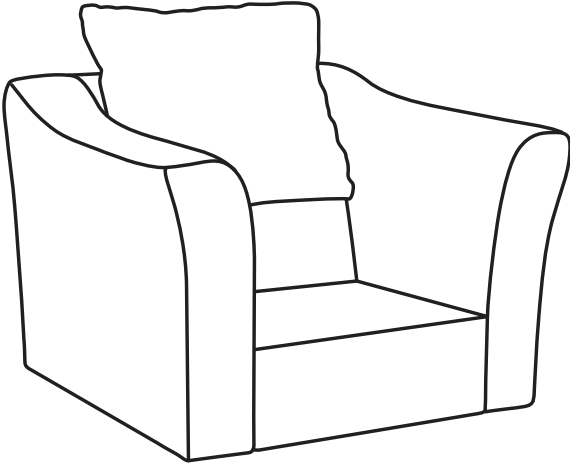
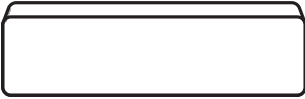



ASSEMBLY TIME

8

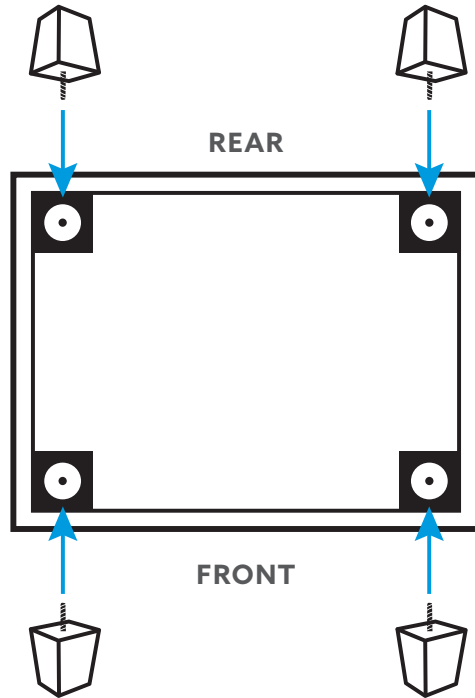
MINUTES

PARTS IDENTIFICATION

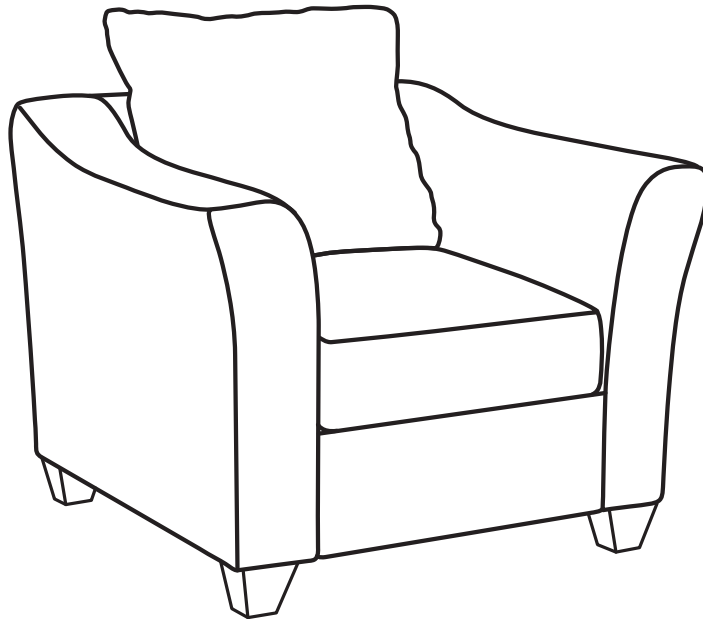
	PART NAME	FIGURE	QUANTITY
A	CHAIR BASE	 <p><i>Please note back cushion should already be attached to chair base.</i></p>	1 PC
B	SEAT CUSHION		1 PC
C	LEG		4 PCS

ASSEMBLY INSTRUCTIONS

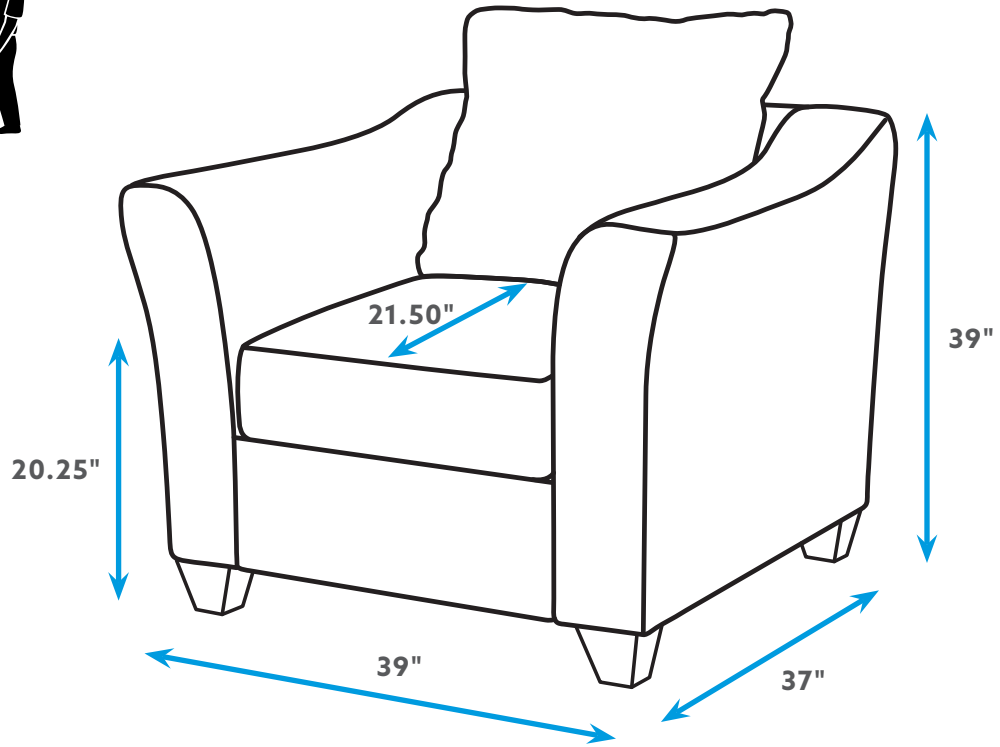
STEP 1 *Install front and rear legs on underside of chair base.*



STEP 2 COMPLETE



DIMENSIONS



NOTE: Dimension tolerance $\pm 5\%$