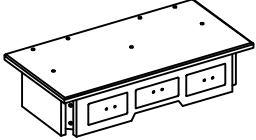


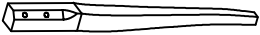


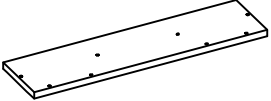


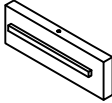



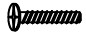
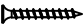
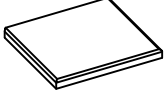

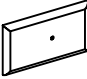
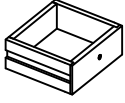
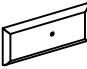

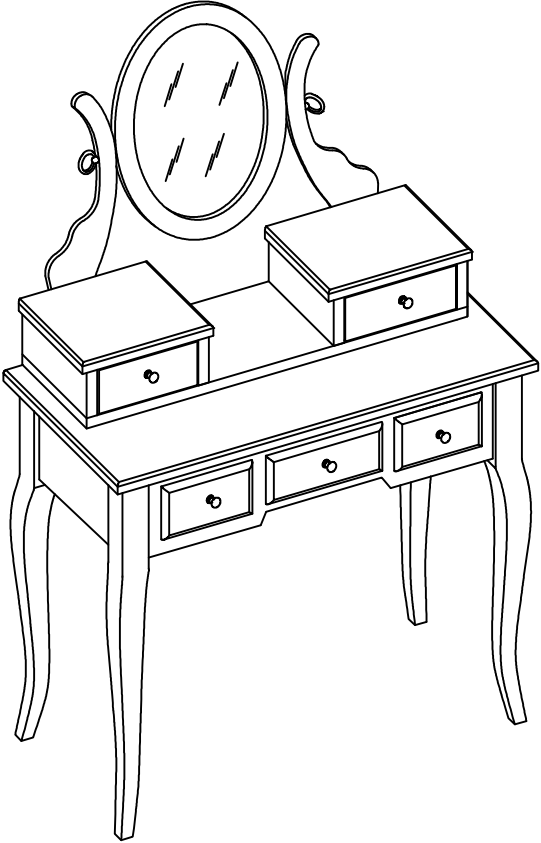


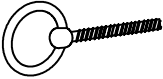




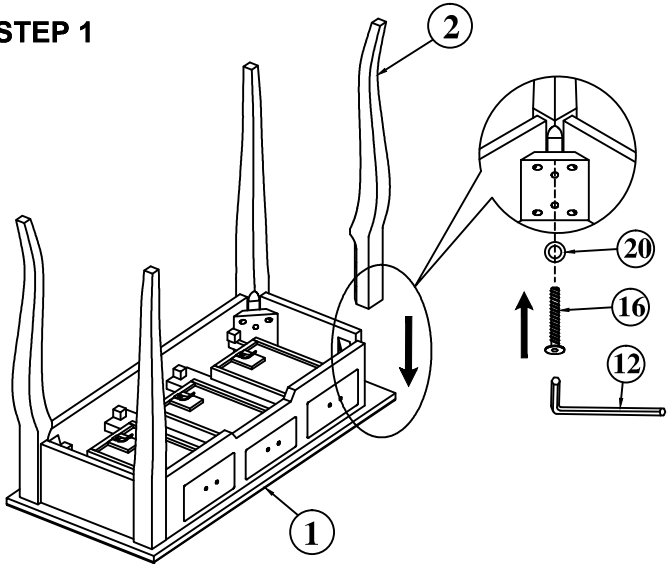
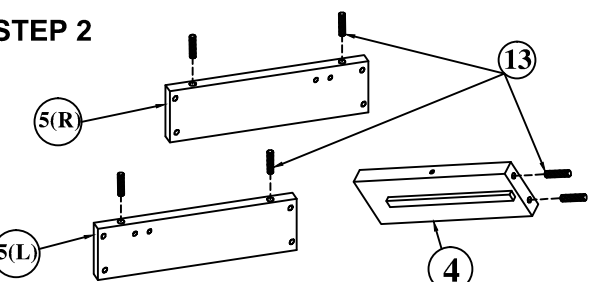
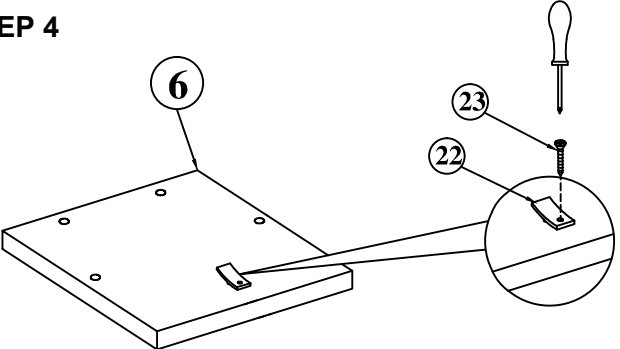
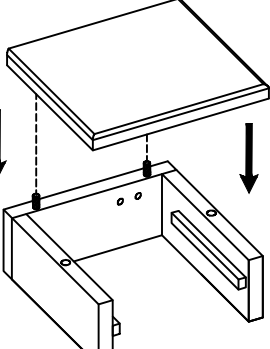
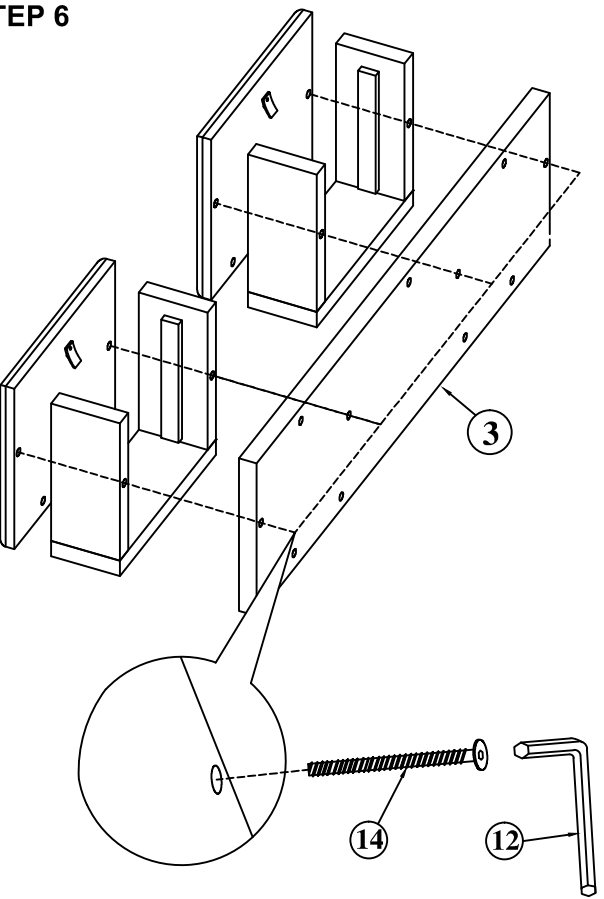
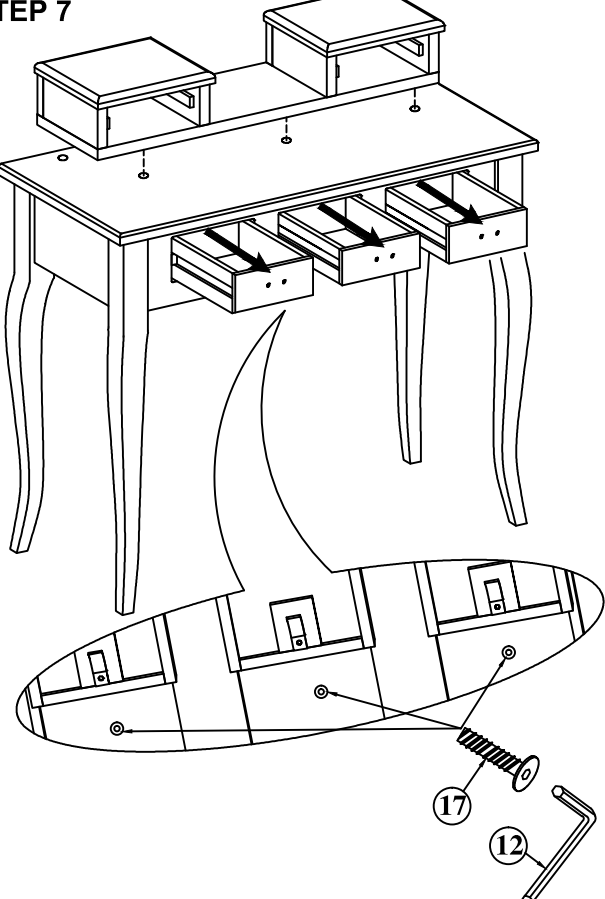
# ASSEMBLY INSTRUCTION SHEET VANITY

PAGE 1 OF 3

<p>1. TABLE TOP 1 piece</p> 	<p>14. BOLT (A) 4 pieces</p> 	<p>20. LARGE WASHER 8 pieces</p> 
<p>2. TABLE LEG 4 pieces</p> 	<p>15. BOLT (B) 4 pieces</p> 	<p>21. SMALL WASHER 4 pieces</p> 
<p>3. SHELF BOTTOM 1 piece</p> 	<p>16. BOLT (C) 8 pieces</p> 	<p>22. BLOCK DRAWERS 2 pieces</p> 
<p>4. SIDE PANEL 4 pieces</p> 	<p>17. BOLT (D) 7 pieces</p> 	<p>23. SMALL SCREW 2 pieces</p> 
<p>5. SOLE (L+R) 2 pieces</p> 	<p>18. BOLT HANDLE 5 pieces</p> 	<p>24. LARGE SCREW 6 pieces</p> 
<p>6. SHELF TOP 2 pieces</p> 	<p>19. BARREL NUT 4 pieces</p> 	<p>25. FRONT DRAWERS (A) 2 pieces</p> 
<p>7. DRAWERS 2 pieces</p> 		<p>26. FRONT DRAWERS (B) 1 piece</p> 
<p>8. SUPPORT (L+R) 2 pieces</p> 		
<p>9. MIRROR 1 piece</p> 		
<p>10. HANDLE 5 pieces</p> 		
<p>11. TYPE BOLT 2 pieces</p> 		
<p>12. ALLEN KEY 1 piece</p> 		
<p>13. WOODEN PEGS 12 pieces</p> 		

ASSEMBLY INSTRUCTION SHEET  
VANITY

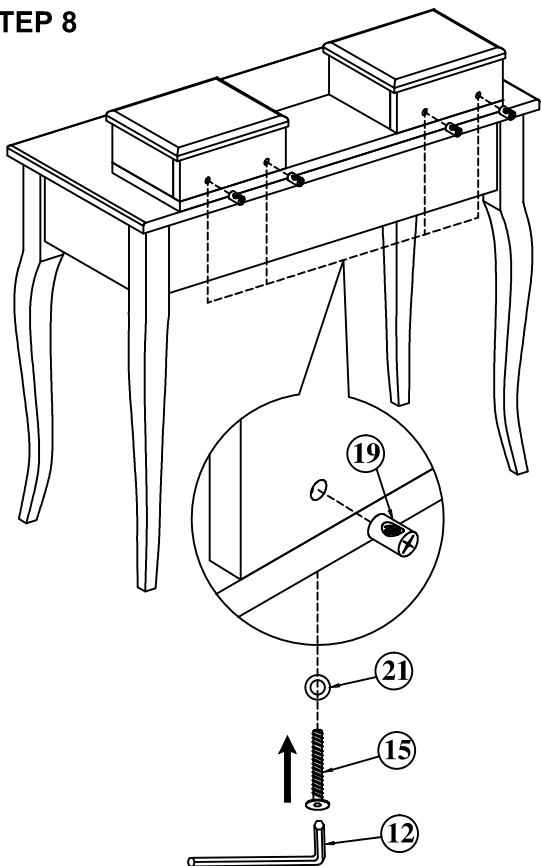
PAGE 2 OF 3

<p><b>STEP 1</b></p> 	<p><b>STEP 2</b></p> 
<p><b>STEP 4</b></p> 	<p><b>STEP 5</b></p> 
<p><b>STEP 6</b></p> 	<p><b>STEP 7</b></p> 

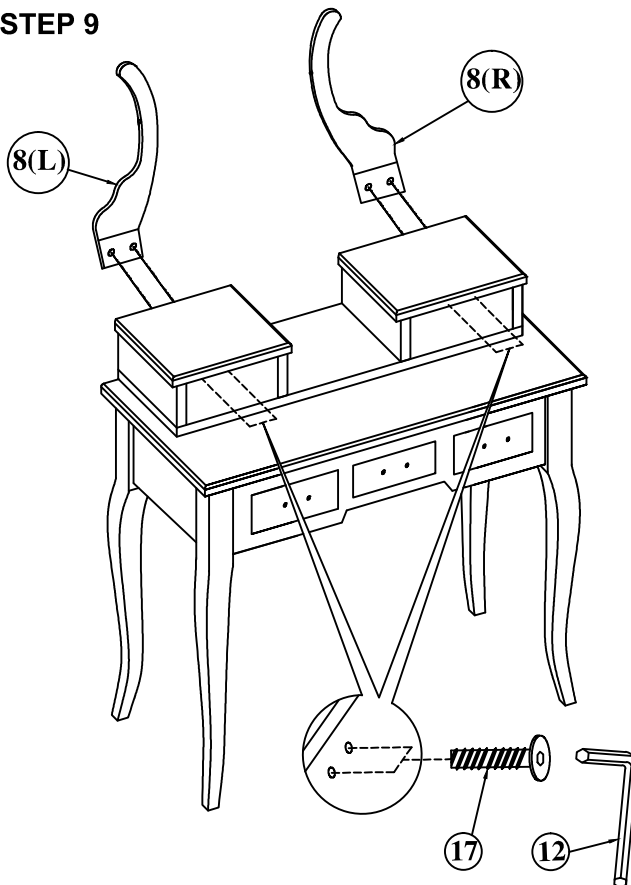
ASSEMBLY INSTRUCTION SHEET  
VANITY

PAGE 3 OF 3

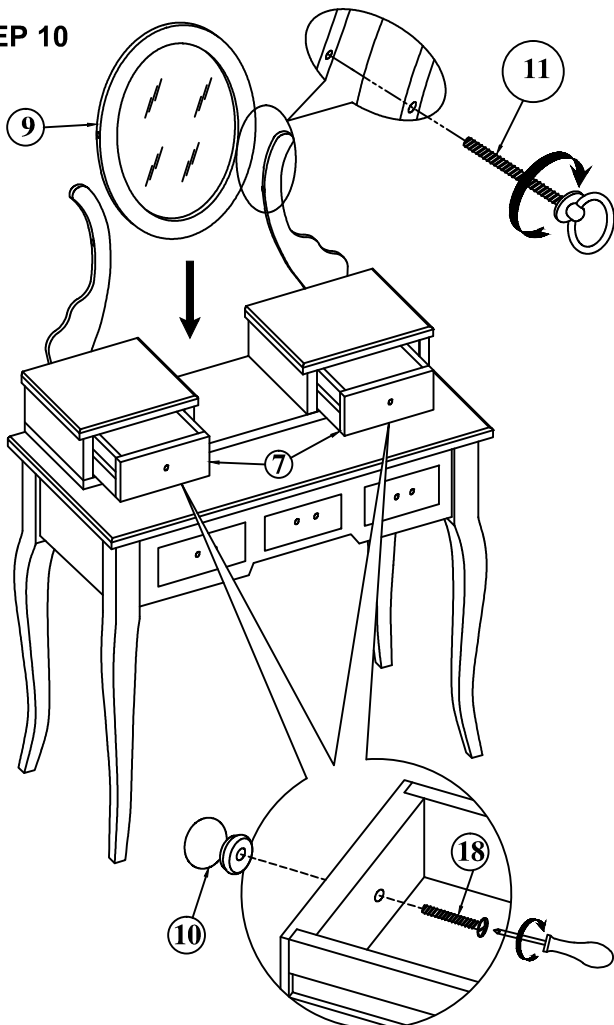
STEP 8



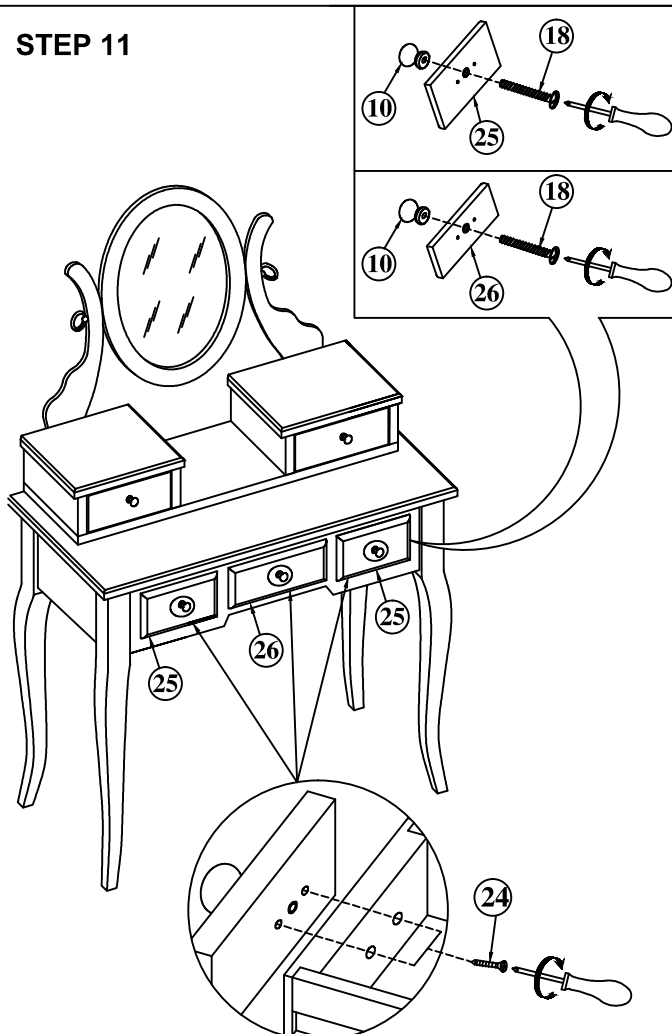
STEP 9



STEP 10

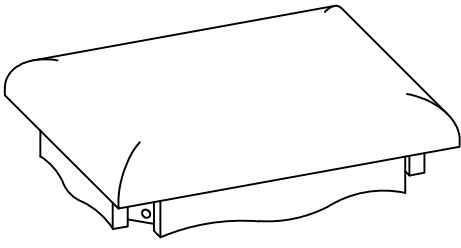

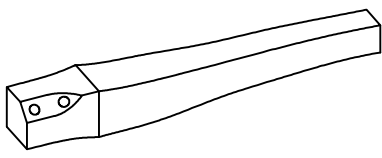
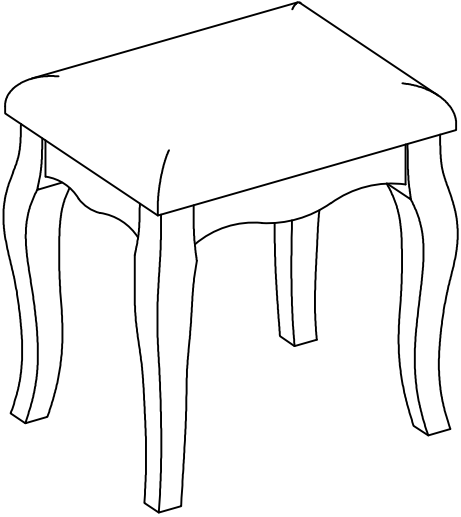
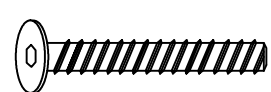


STEP 11



ASSEMBLY INSTRUCTION SHEET  
VANITY

PAGE 1 OF 1

<p>1. SEAT 1 piece</p> 	<p>5. ALLEN KEY 1 piece</p> 
<p>2. LEG 4 pieces</p> 	
<p>3. BOLT 8 pieces</p> 	
<p>4. WASHER 8 pieces</p> 