

## Professional Range 36"

SPR36UGGAN  
 Anthracite  
 Full gas



Compact- design range with gas oven and gas cooktop: efficient and responsive, the visible heat source allows total control and choice of the right intensity.

### Features

**Gas hob** - Gas provides permanent control of the heat source and the temperature change is immediate

**Touch control** - Easy and intuitive timer setting with a single touch

**Tangential cooling** - New cooling system with tangential fan and airflow from the door to the splashback

**Soft close** - The door is equipped with a specific system for silent closing

### Cooktop technical features

Cooking zones	6
Front-left - 18000 BTU	
Rear-left - 10000 BTU	
Front-center - 10000 BTU	
Rear-center - 10000 BTU	
Front-right - 5270 W	
Rear-right - 2930 W	
Automatic gas ignition	Yes
Gas safety valves	Yes

### Aesthetic

Color	Anthracite
Series	Professional

### General information

Range size	36"
Range type	Full gas

### Programs / Functions

No. of cooking functions	3
--------------------------	---

### Main oven options

Minimum Temperature	250 °F
Maximum temperature	500 °F

### Main Oven Technical Features

Volume	4.45 cu. ft.
Cavity material	EverClean enamel
No. of shelves	5
Removable inner door	Yes
Total no. of door glasses	3
Soft Close system	Yes

### Included accessories

Oven wire rack	2
----------------	---

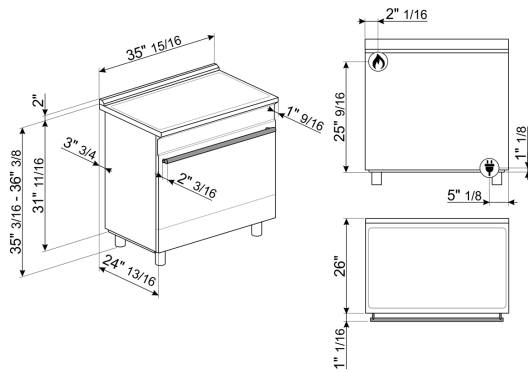
### Electrical Connection

Circuit breaker	15 A
Voltage	120 V
Frequency	60 Hz

## Logistic Information

Width	35 15/16 "
Depth	26 "
Height	35 3/16 "
Net weight	230 lbs

## Product dimension drawing



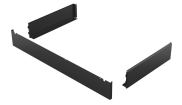
## Accessories



GRM  
Coffee machine support



GT3T  
Total-extraction telescopic guides



KITTKSPR36  
Plinth, 3 sides, 900mm, SPR cookers 30", black



PALPZ  
Pizza shovel with fold away handle



WOKGHU  
Cast-iron wok support

## Color option



SPR36UGGX