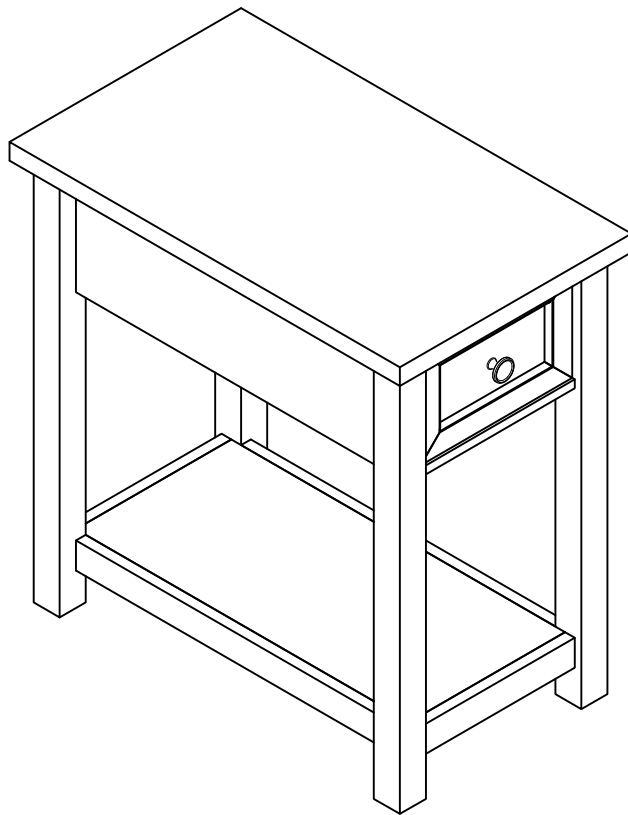
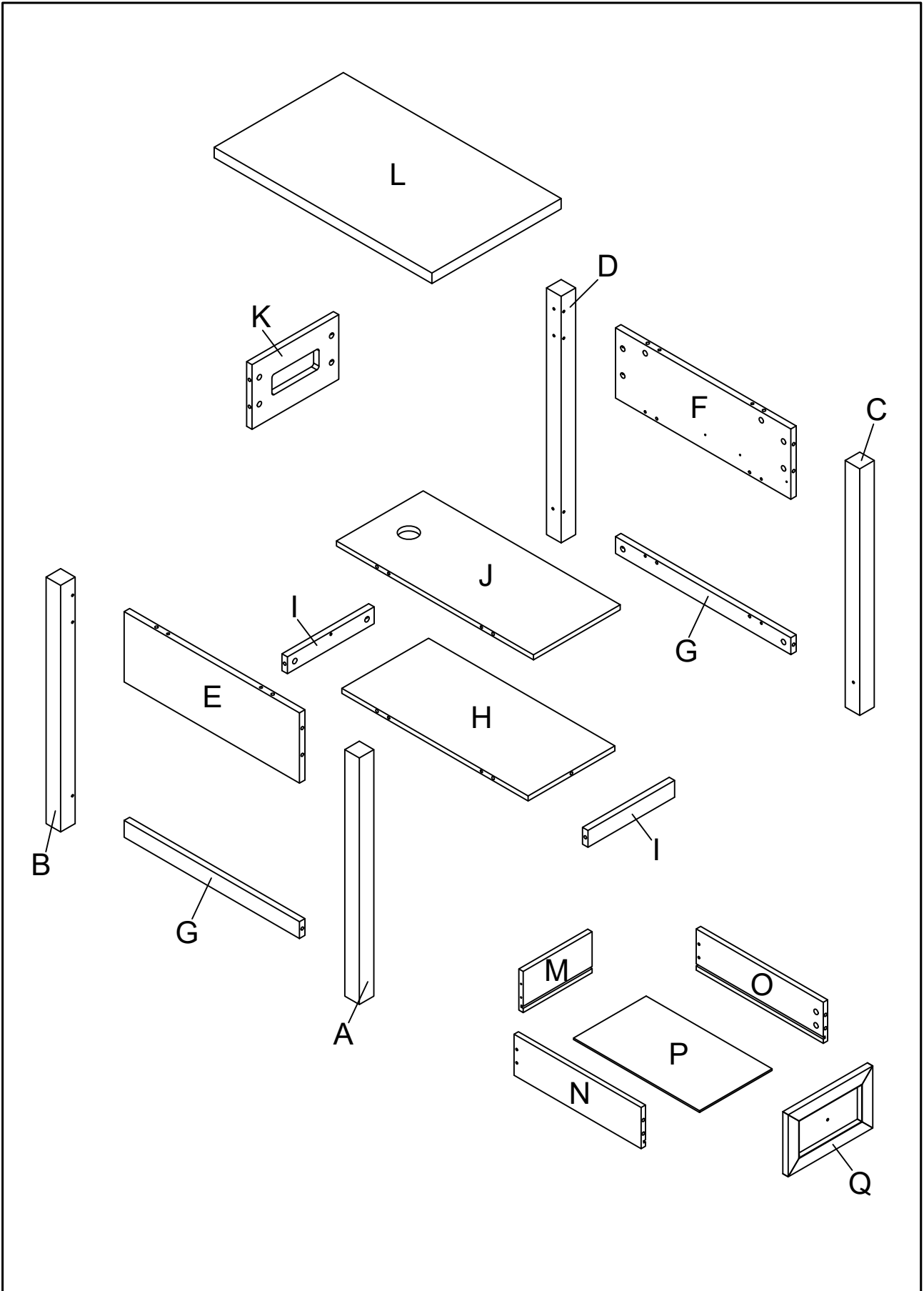


Assembly Instructions

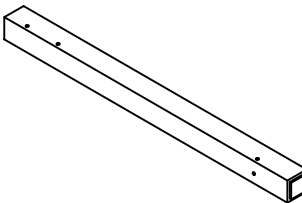
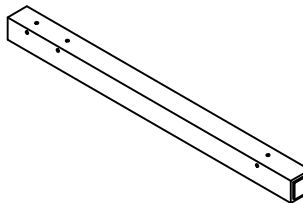
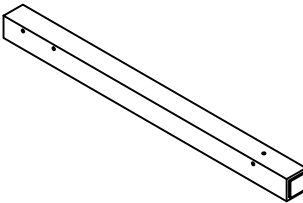
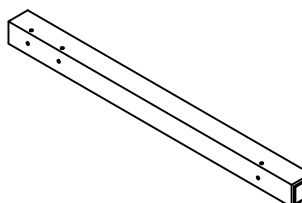
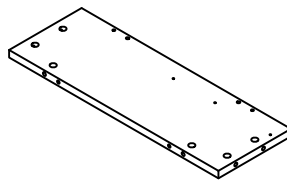
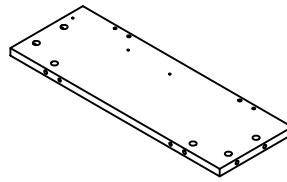
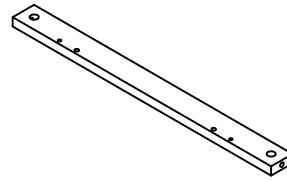
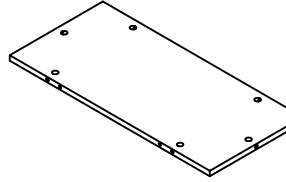
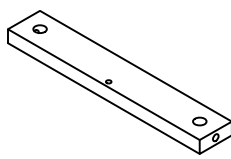
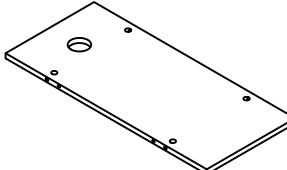
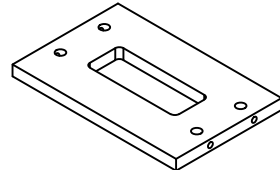
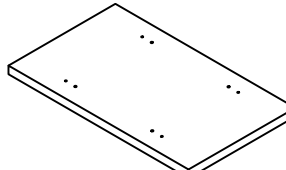
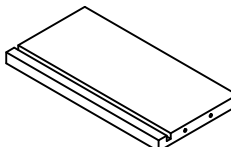
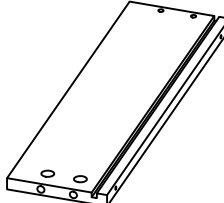
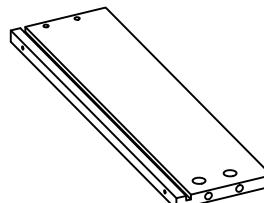
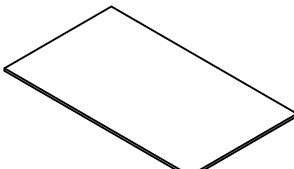
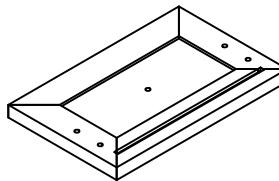


Attention: Please ensure you have all parts before commencing assembly.
Please read all the instructions before commencing.

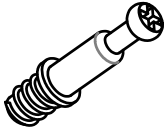


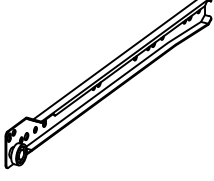
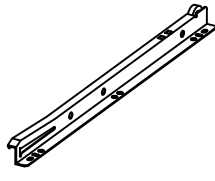
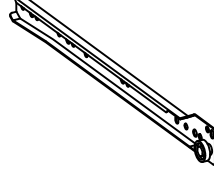
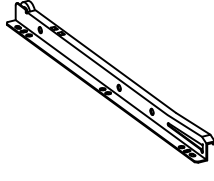

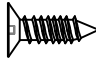

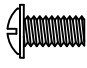
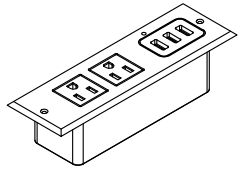
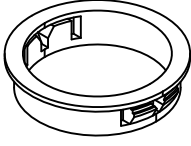
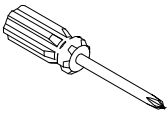
PART LIST



PART LIST

| | | | |
|--|--|---|--|
| <p>A x 1pcs</p>  | <p>B x 1pcs</p>  | <p>C x 1pcs</p>  | <p>D x 1pcs</p>  |
| <p>E x 1pcs</p>  | <p>F x 1pcs</p>  | <p>G x 2pcs</p>  | <p>H x 1pcs</p>  |
| <p>I x 2pcs</p>  | <p>J x 1pcs</p>  | <p>K x 1pcs</p>  | <p>L x 1pcs</p>  |
| <p>M x 1pcs</p>  | <p>N x 1pcs</p>  | <p>O x 1pcs</p>  | <p>P x 1pcs</p>  |
| <p>Q x 1pcs</p>  | | | |

HARDWARE LIST

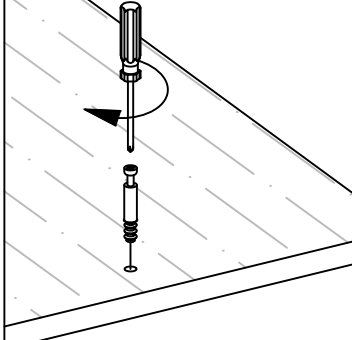
| | | |
|---|--|--|
| <p>①</p>  <p>M6x28</p> <p style="text-align: right;">38 pcs</p> | <p>②</p>  <p>Φ12</p> <p style="text-align: right;">38 pcs</p> | <p>③</p>  <p>Φ6x30</p> <p style="text-align: right;">12 pcs</p> |
| <p>④</p>  <p>350L</p> <p style="text-align: right;">1 pcs</p> | <p>⑤</p>  <p>350L</p> <p style="text-align: right;">1 pcs</p> | <p>⑥</p>  <p>350L</p> <p style="text-align: right;">1 pcs</p> |
| <p>⑦</p>  <p>350L</p> <p style="text-align: right;">1 pcs</p> | <p>⑧</p>  <p>M4x30</p> <p style="text-align: right;">4 pcs</p> | <p>⑨</p>  <p>M3x12</p> <p style="text-align: right;">14 pcs</p> |
| <p>⑩</p>  <p>1 pcs</p> | <p>⑪</p>  <p>M4x8</p> <p style="text-align: right;">1 pcs</p> | <p>⑫</p>  <p>1 pcs</p> |
| <p>⑬</p>  <p>Ø45mm</p> <p style="text-align: right;">1 pcs</p> | <p>⑭</p>  <p>1 pcs</p> | |

Please count and verify all parts before assembly.

How to install Camlocks

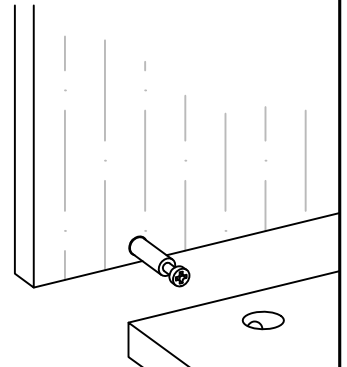
Connect the male camlock as directed in the assembly instructions with a screwdriver.

1 DO NOT OVER TIGHTEN



Put the male camlock into the entry hole.

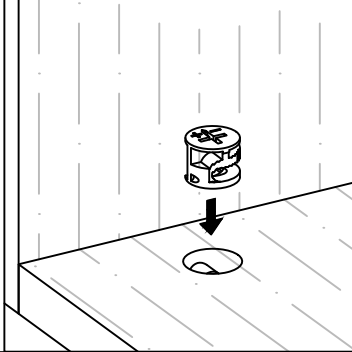
2



Insert the female camlock as shown in the instruction.

Note: ensure that the arrow on the top of the camlock points toward the entry hole for the male camlock.

3

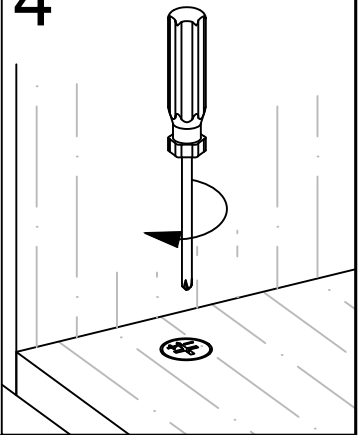


Screw the female camlock clockwise with a screwdriver.

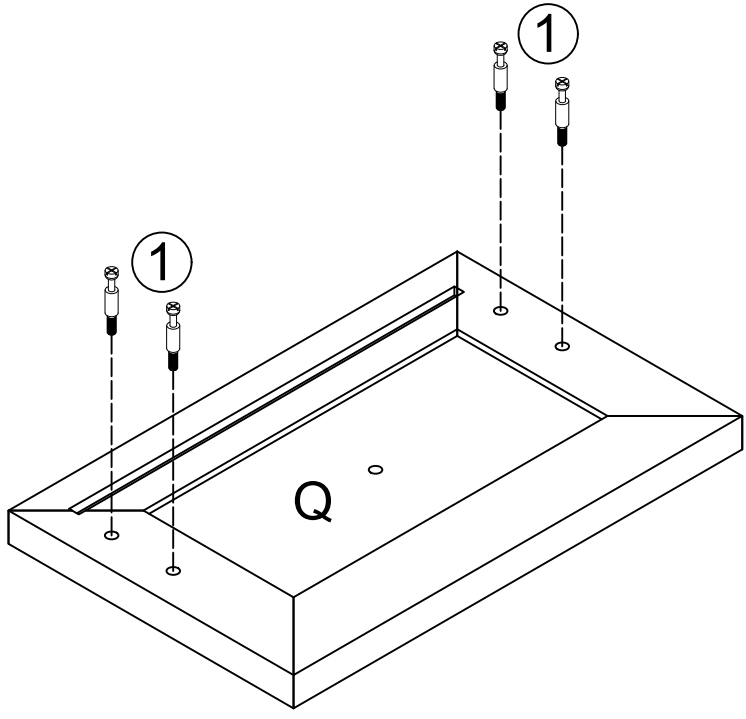
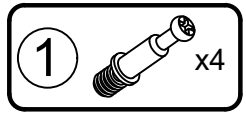
You will feel a click when the camlock is locked in place.

The camlock is now completed.

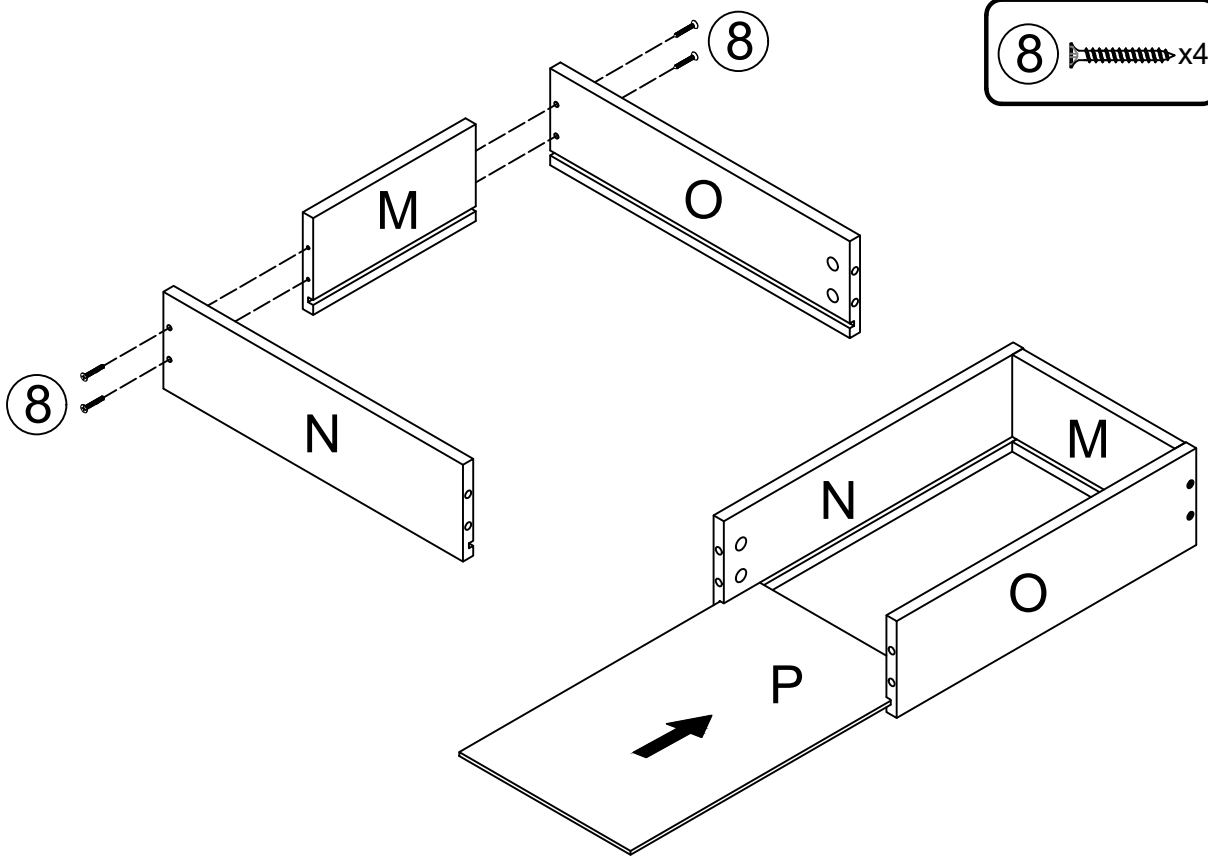
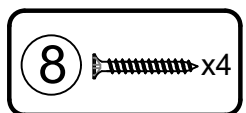
4



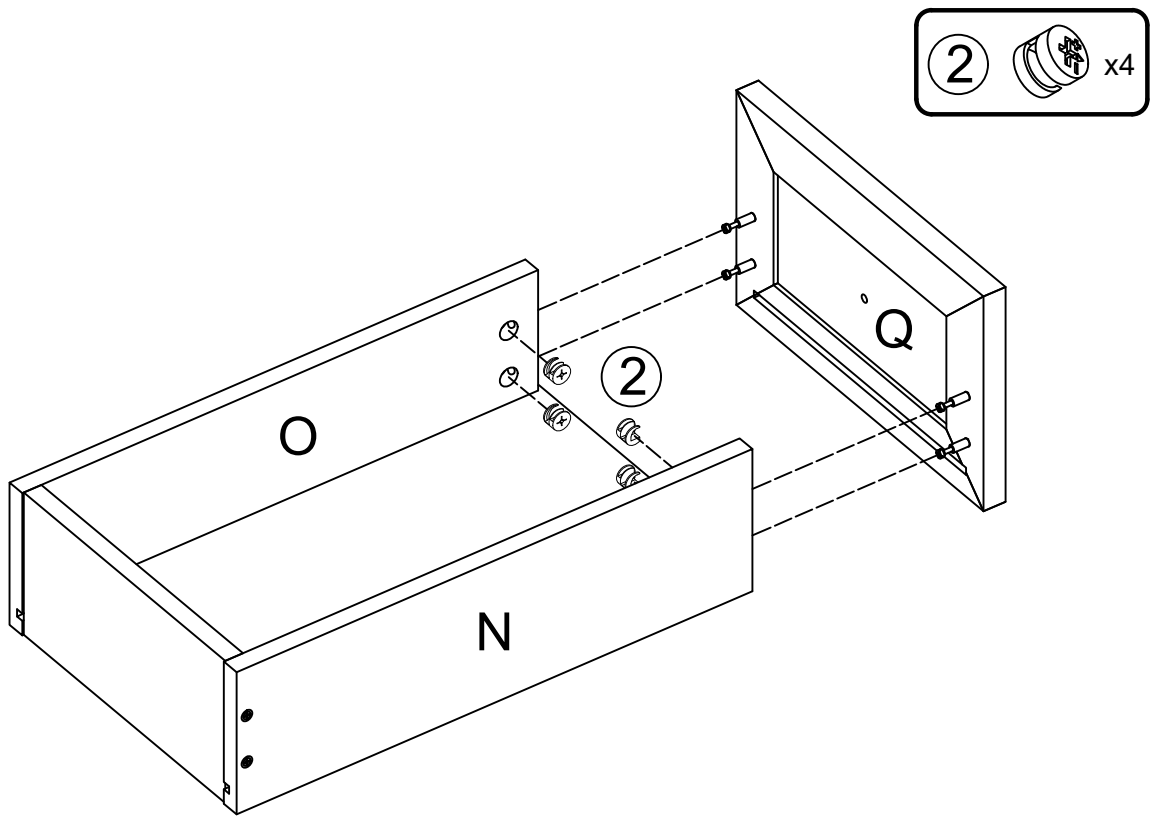
STEP 1



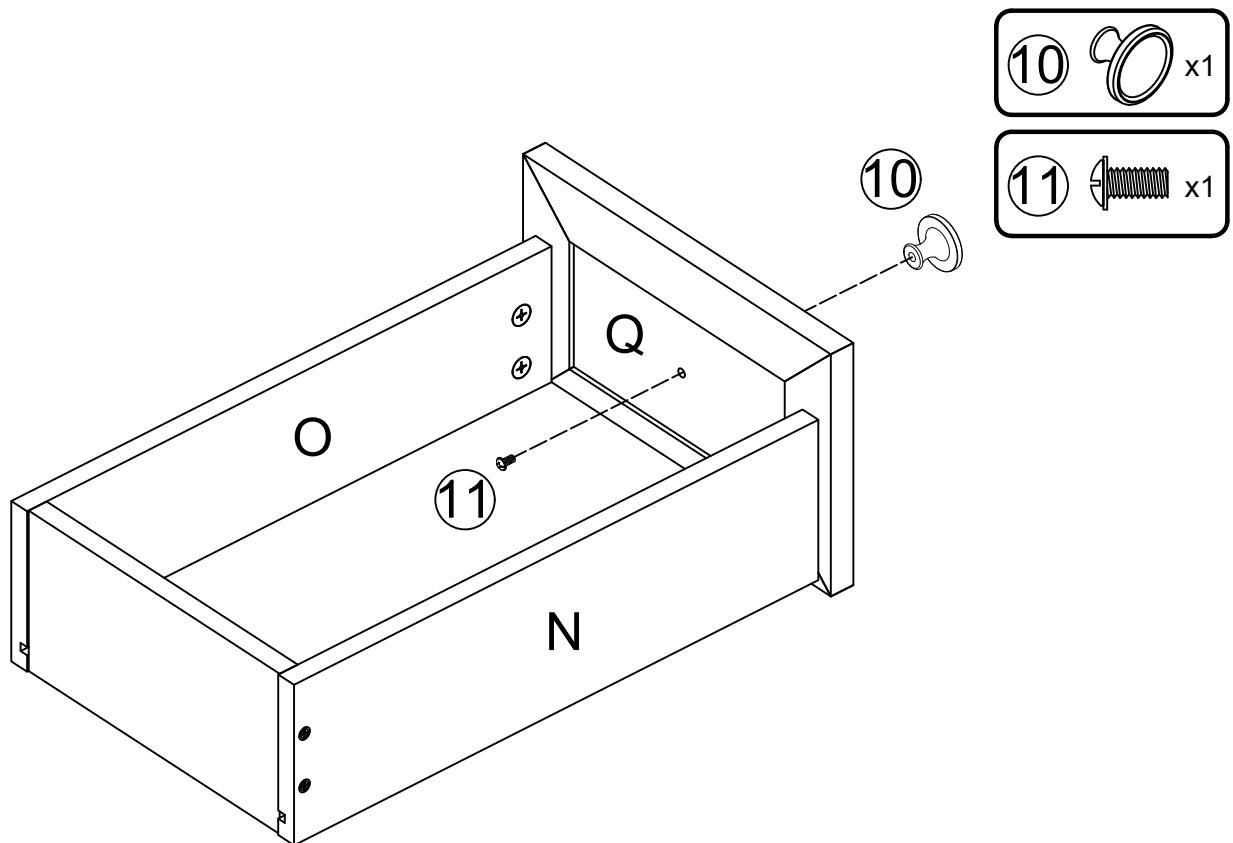
STEP 2



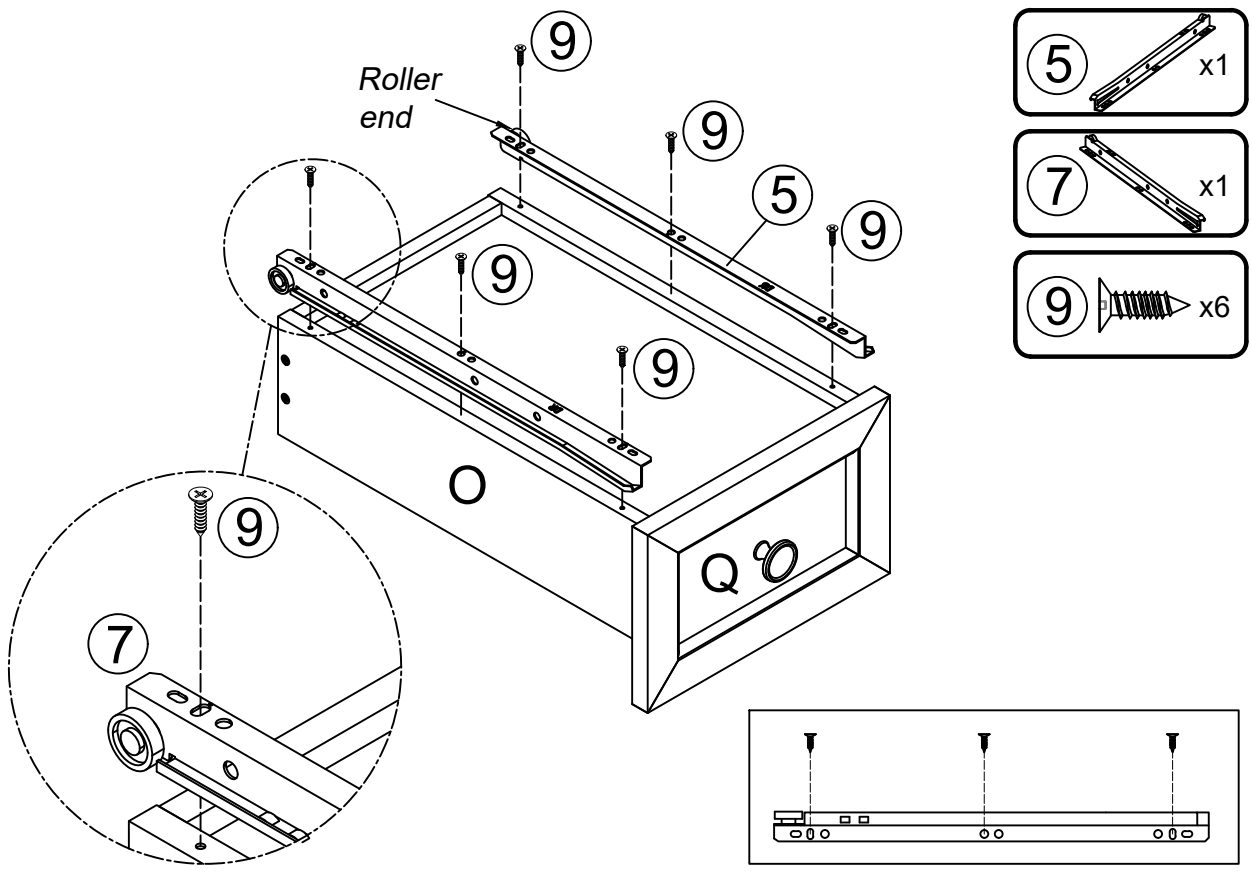
STEP 3



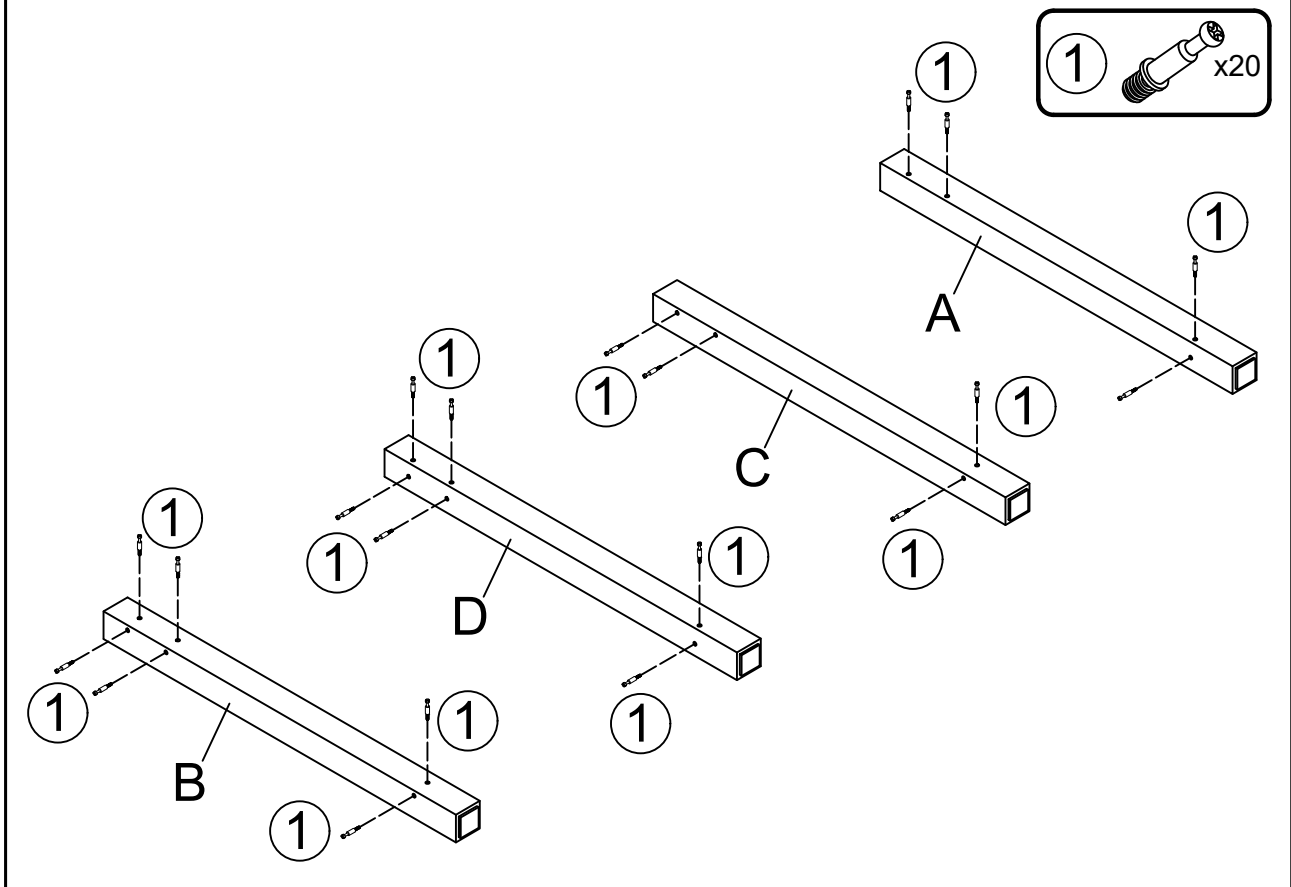
STEP 4



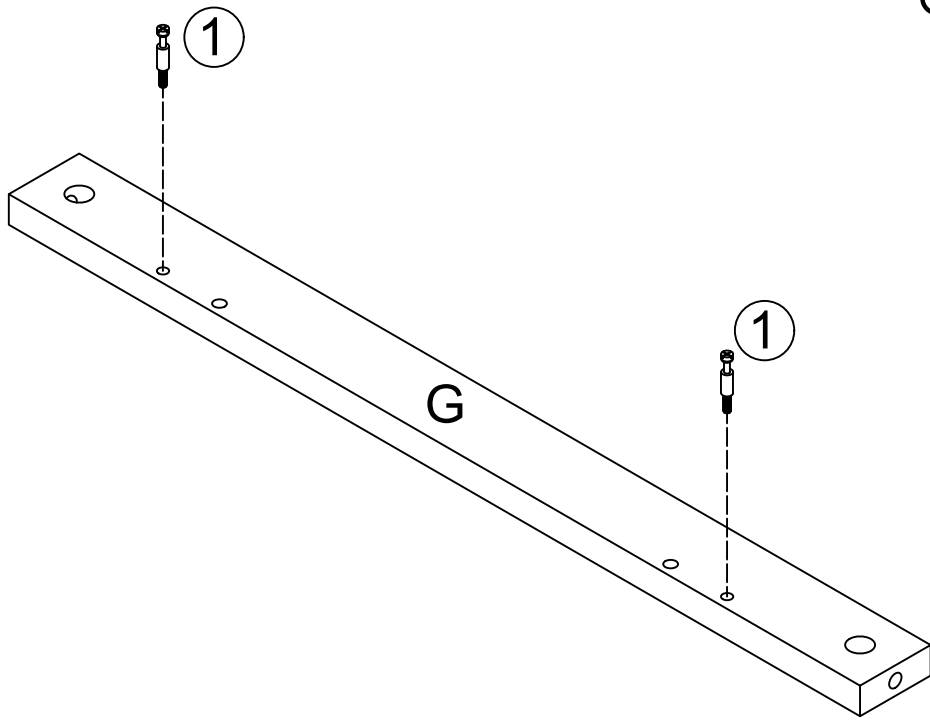
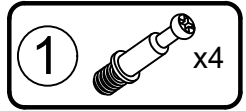
STEP 5



STEP 6

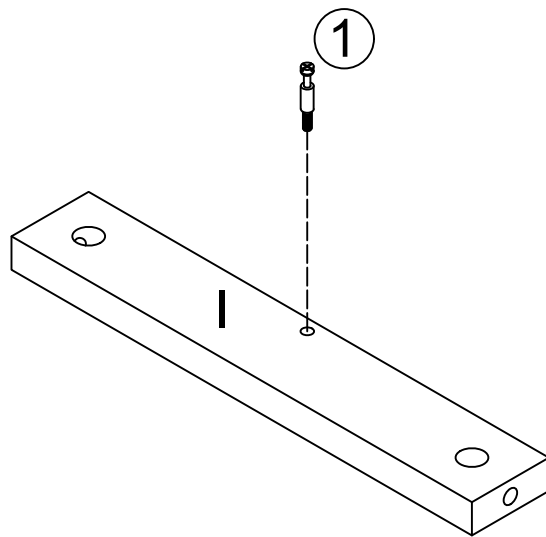
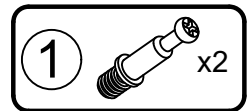


STEP 7



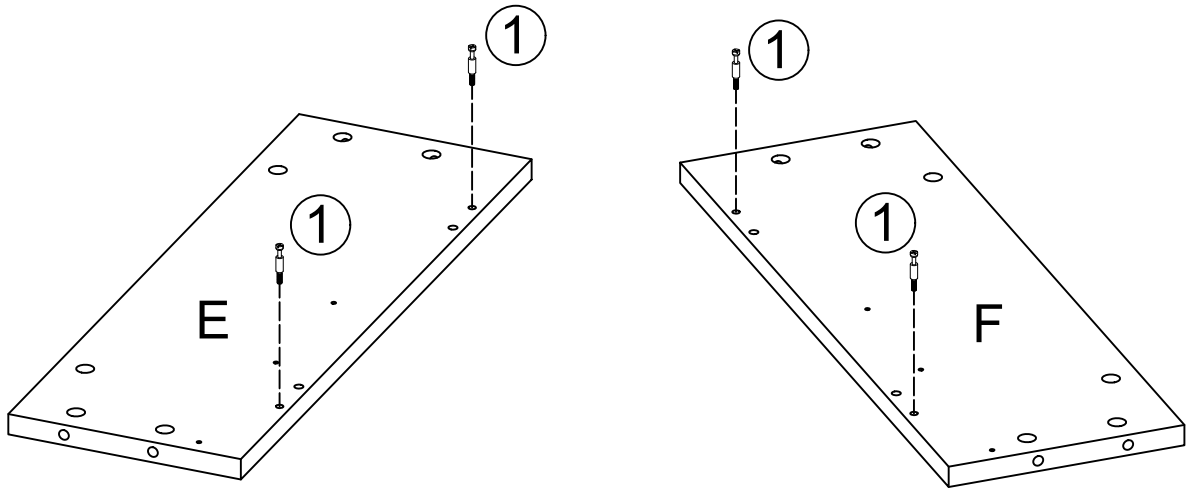
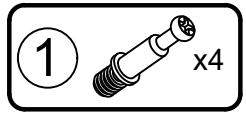
X 2

STEP 8



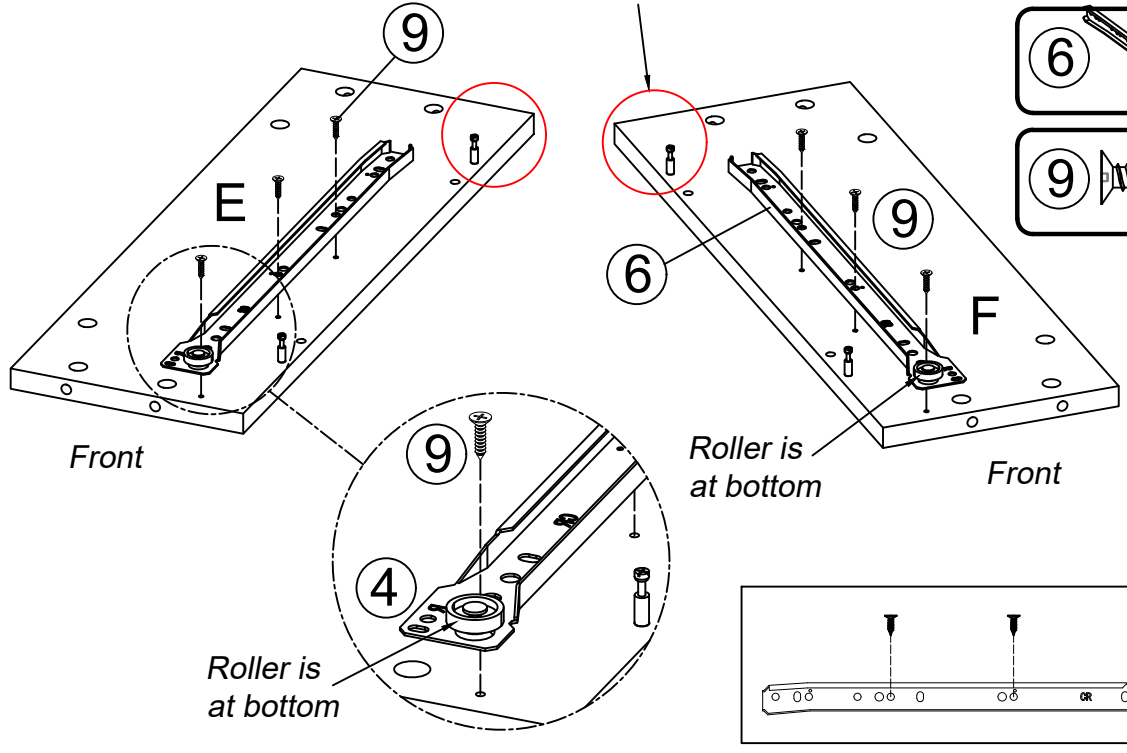
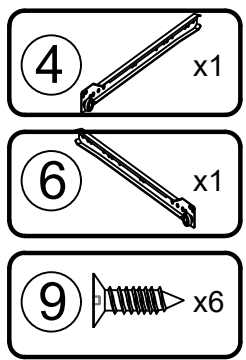
X 2

STEP 9

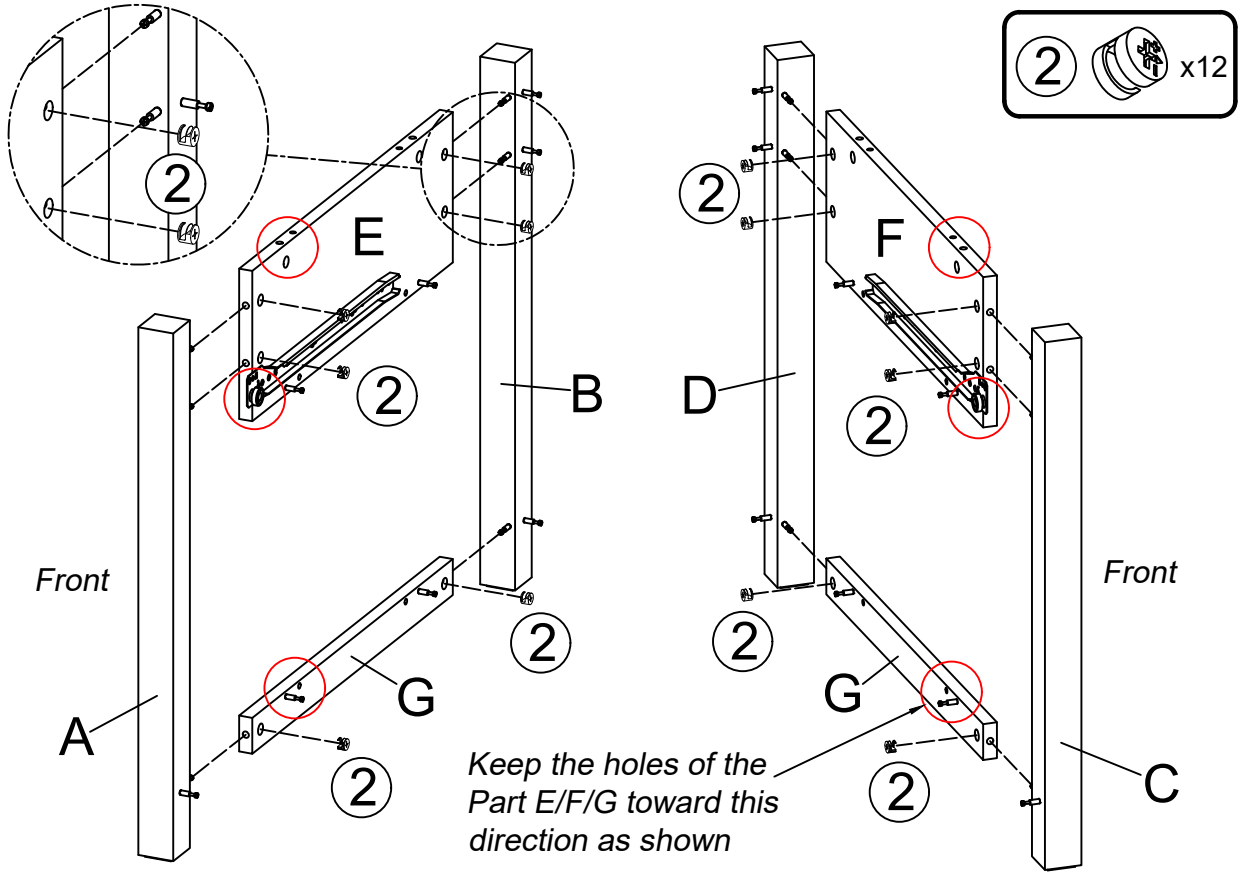


STEP 10

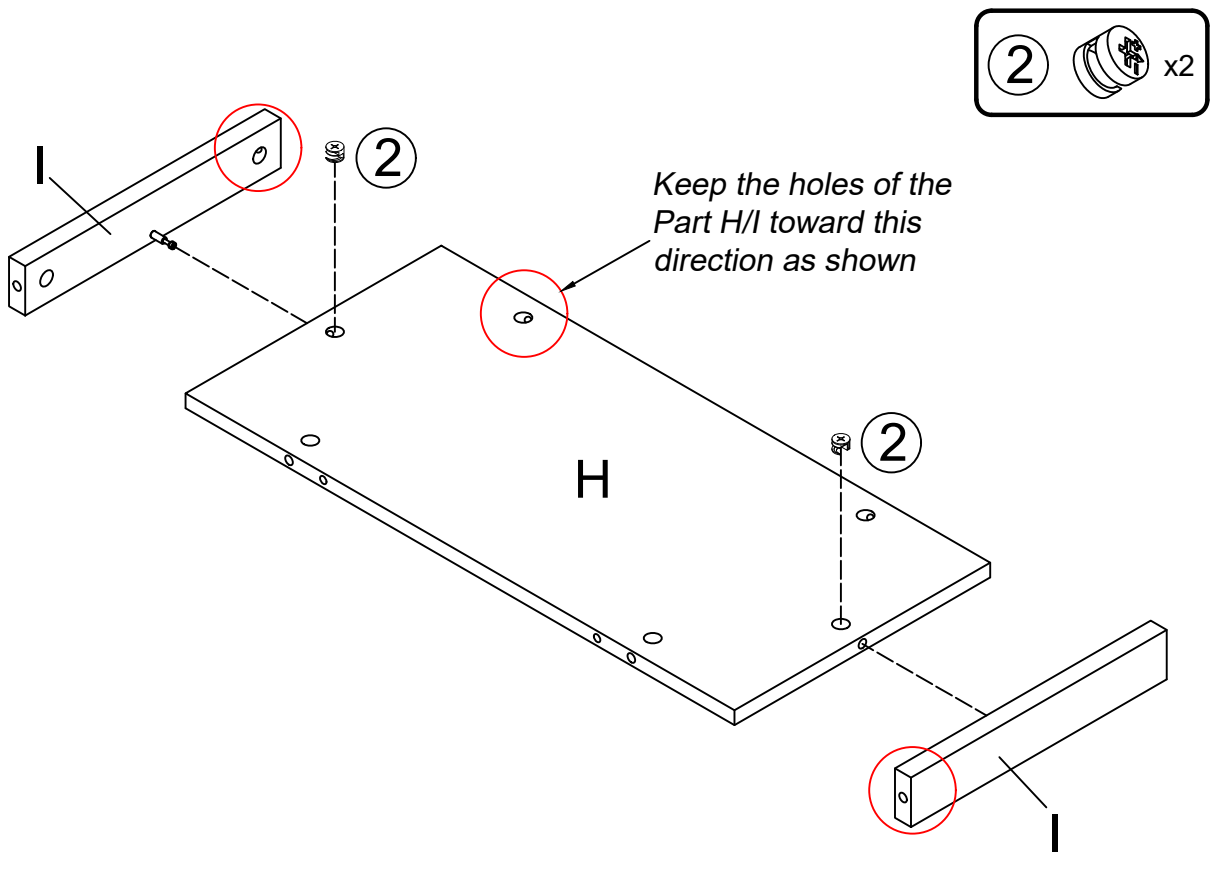
Keep the holes of the Part E/F toward this direction as shown



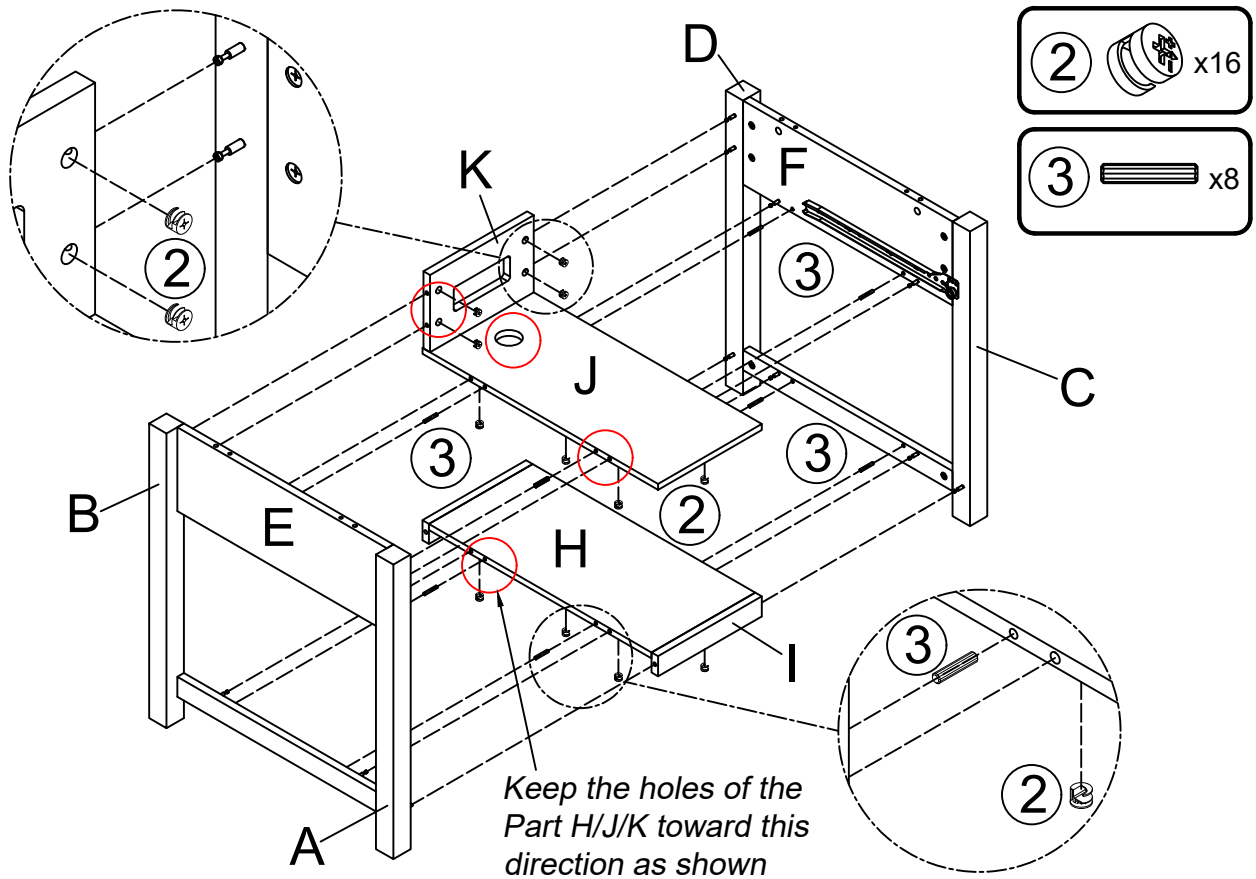
STEP 11



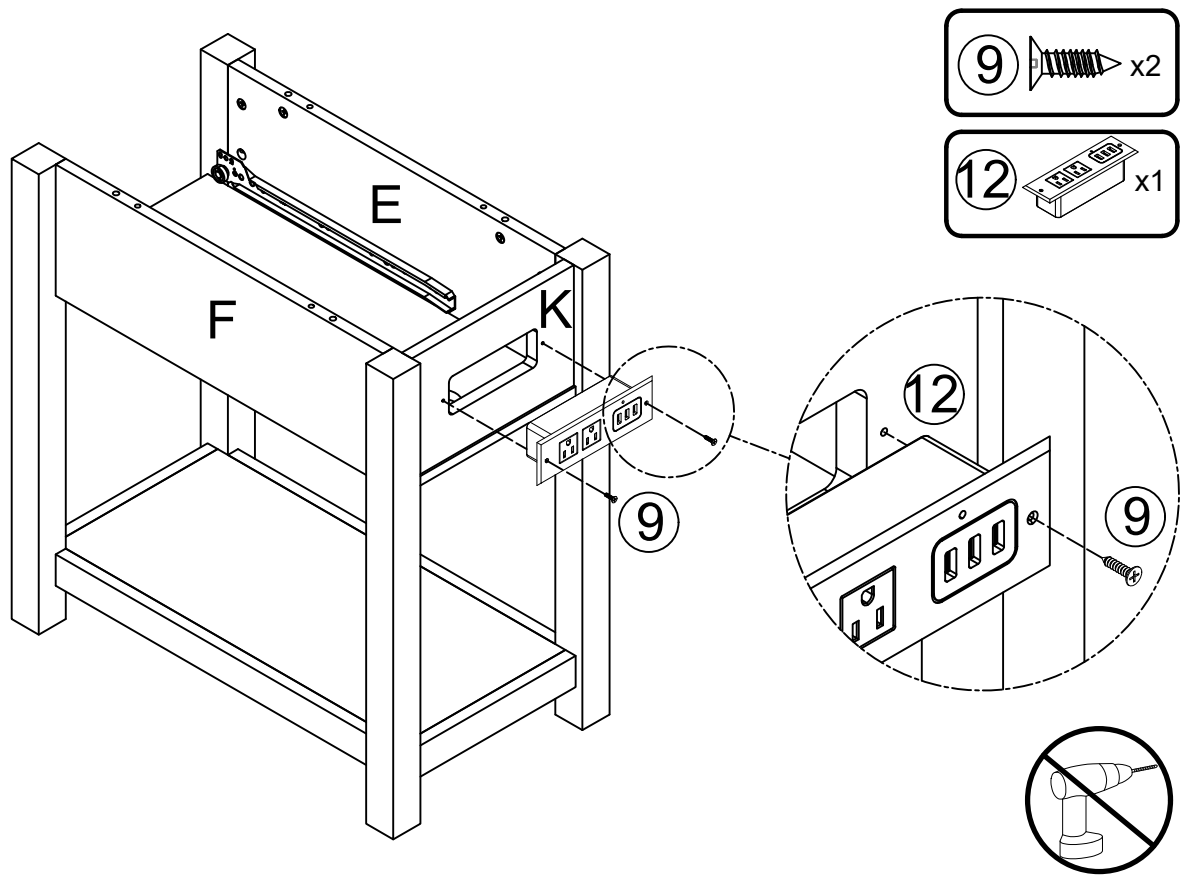
STEP 12



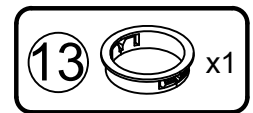
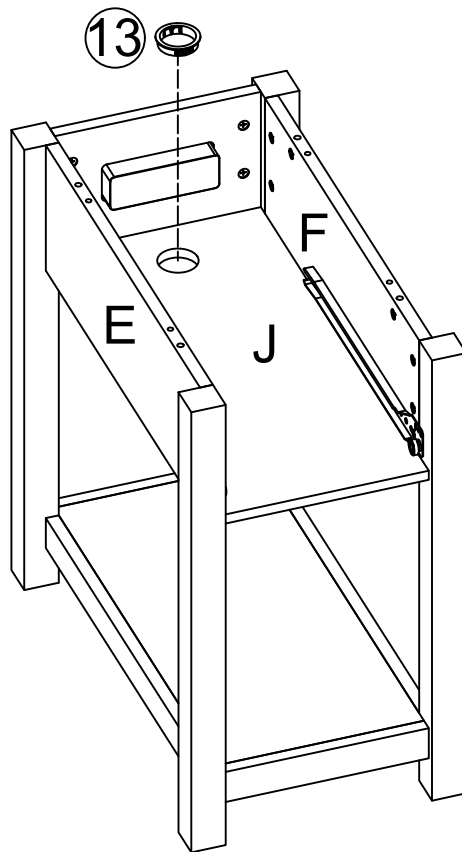
STEP 13



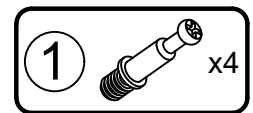
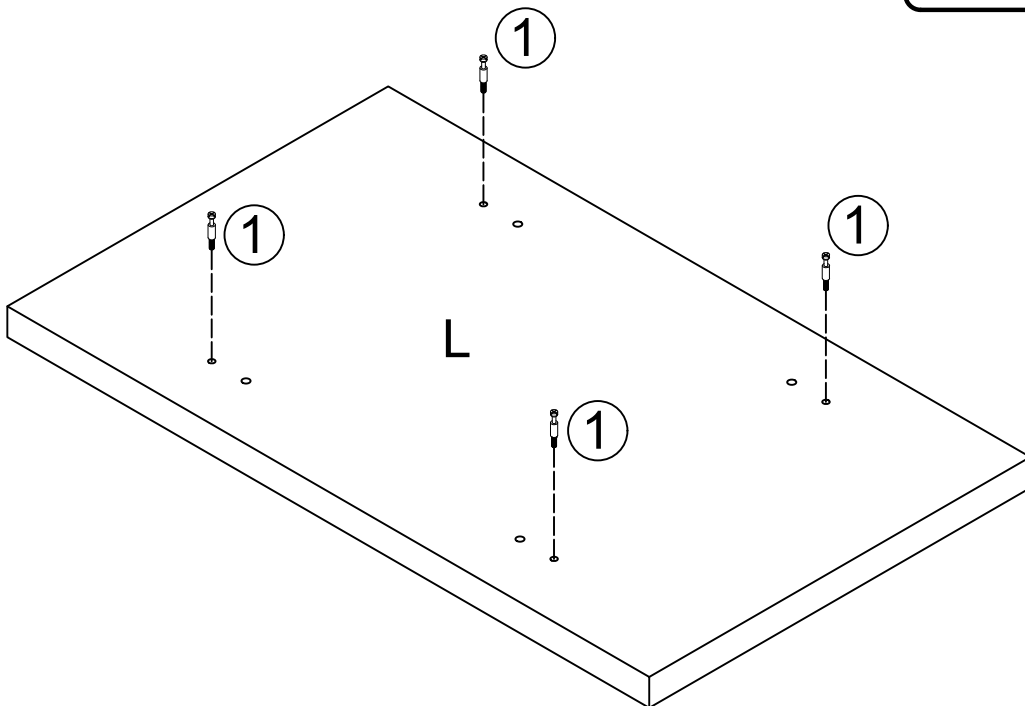
STEP 14



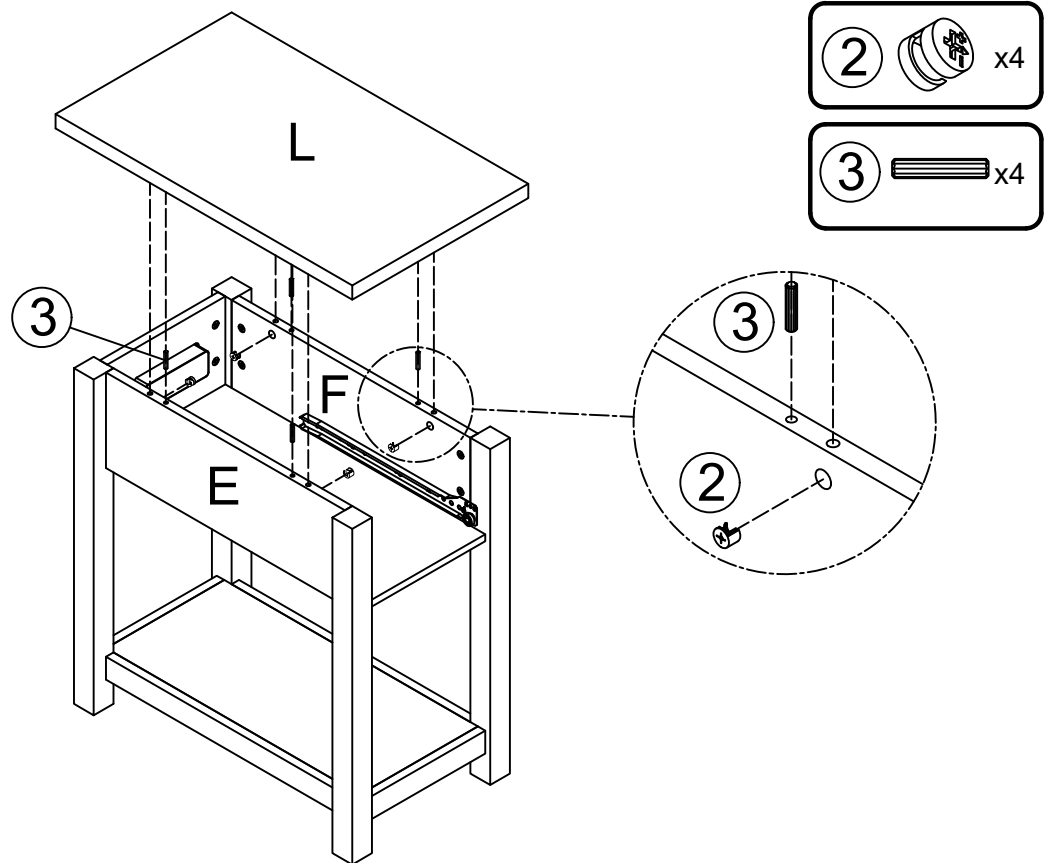
STEP 15



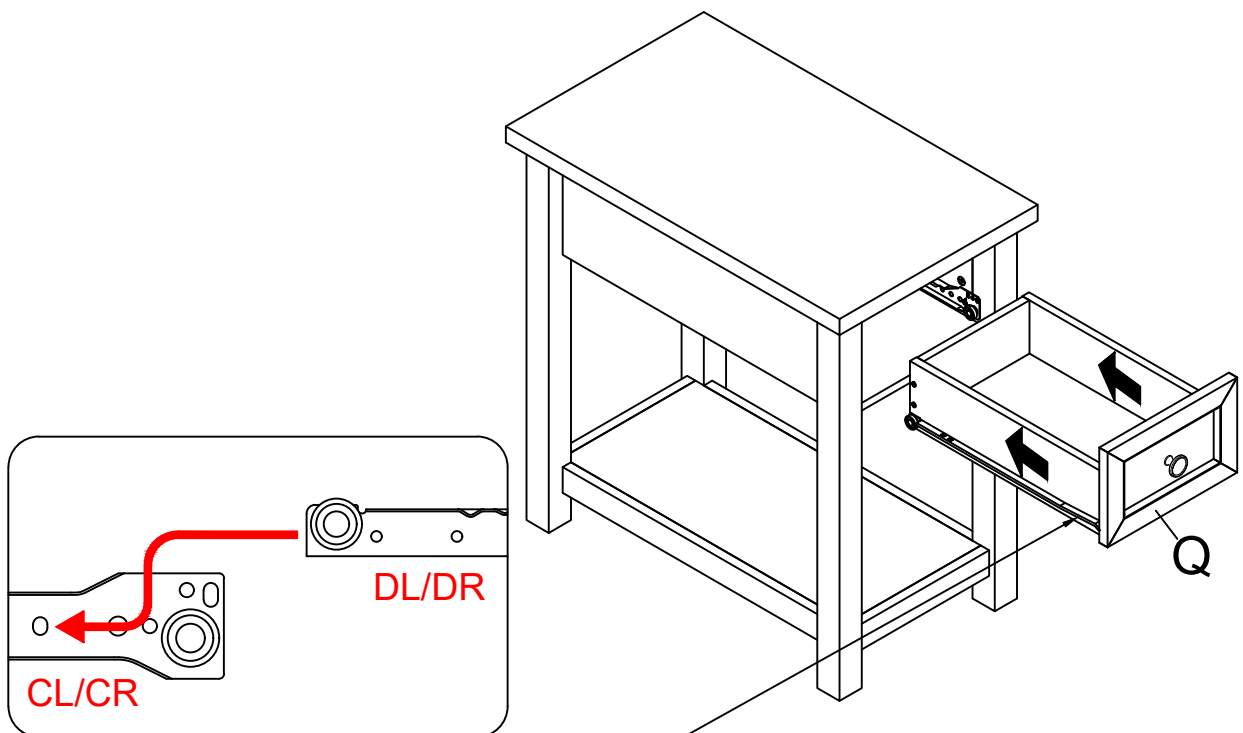
STEP 16



STEP 17



STEP 18



Please put the wheels align with the slots as the instruction shows, then slide into them