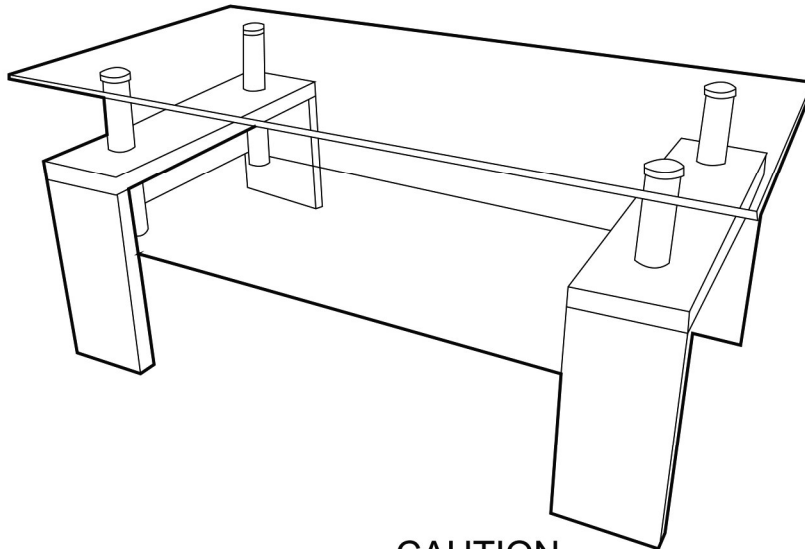


# Assembly Instructions

Caution:Pls read the AI before you proceed.

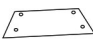







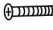
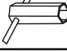







## END TABLE



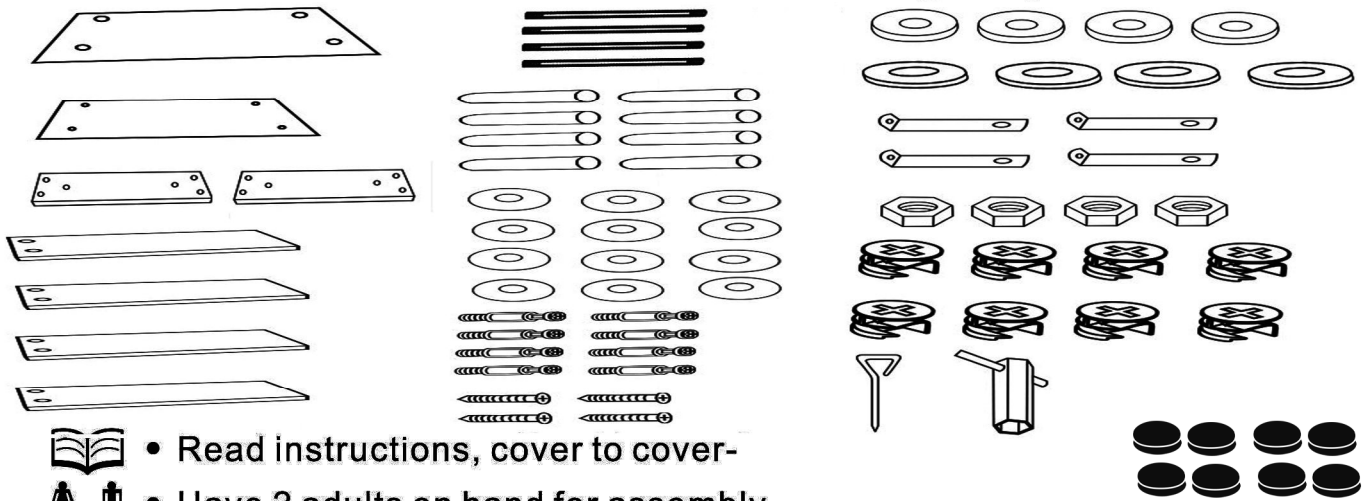
CAUTION:






Pls follow up the AI , when assemble the table leave your child away

### Parts List

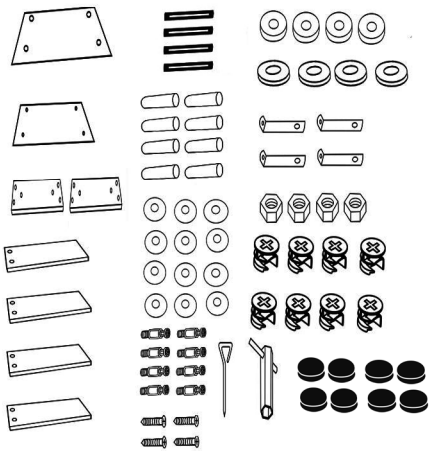
NO.	Picture	Description	Qty
A		Tempered glass table top	1
B	 8X255mm	Pulling rod	4
C		Tempered glass	1
D		Stainless steel pipe	8
E	 M8X45mm	Gasket	12
F		Allen key	1
G	 M24X5mm	Screw	8
H	 M11X9mm	Eccentric cam lock fasteners	8
I	 M4X14 mm	Screw	4
J	 M8X49mm	Box Spanner M10	1
K	 M8X15mm	Nut	4
L		Connection	4
M		Board	4
N		Board	2
O	 M8X19mm	Plastic gasket	4
P	 M8X19mm	Iron gasket	4
Q		Anti-skid pad	8

# Assembly Preparation Before Beginning Assembly



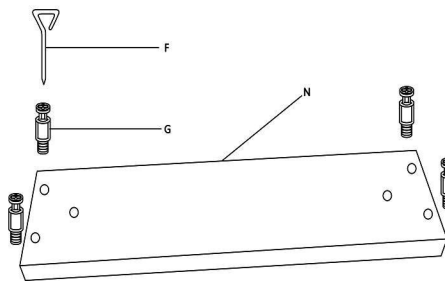
-  • Read instructions, cover to cover-
-  • Have 2 adults on hand for assembly-
-  • Do not assemble on flooring or carpet-
-  • Assemble on a clean non-marring surface (packing foam)-
-  • Save all packaging until finished-

## Step 1

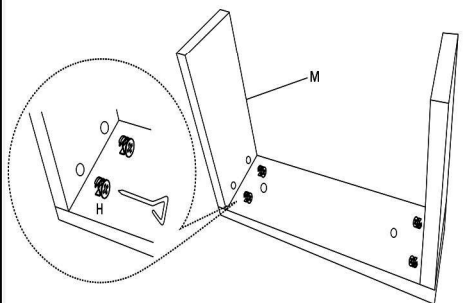


Unpack and place all parts on a clean, soft surface

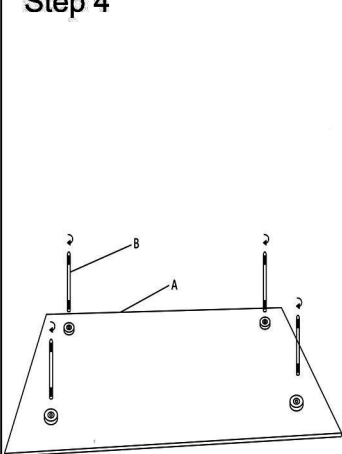
## Step 2



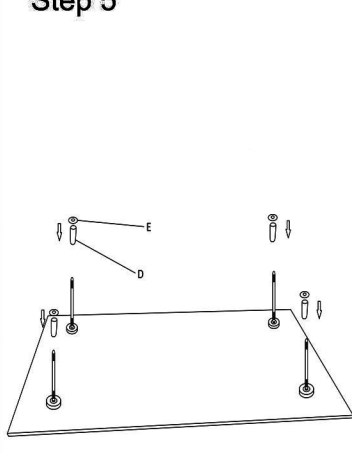
## Step 3



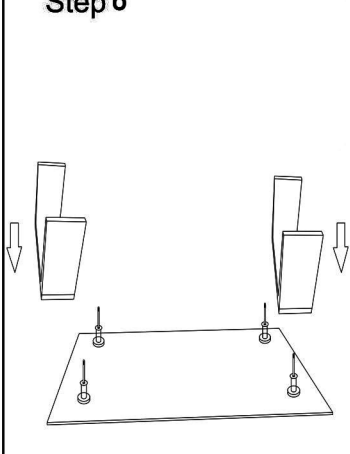
## Step 4



## Step 5



## Step 6



## Step 7

