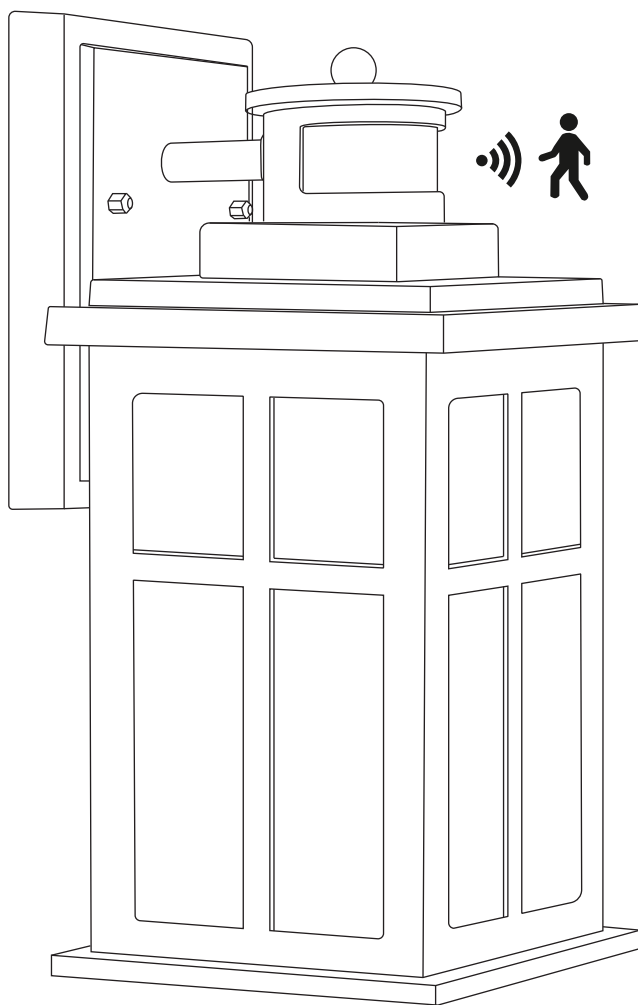


Model:V8147

Motion Sensor:S302SW.RGB
V 5.0



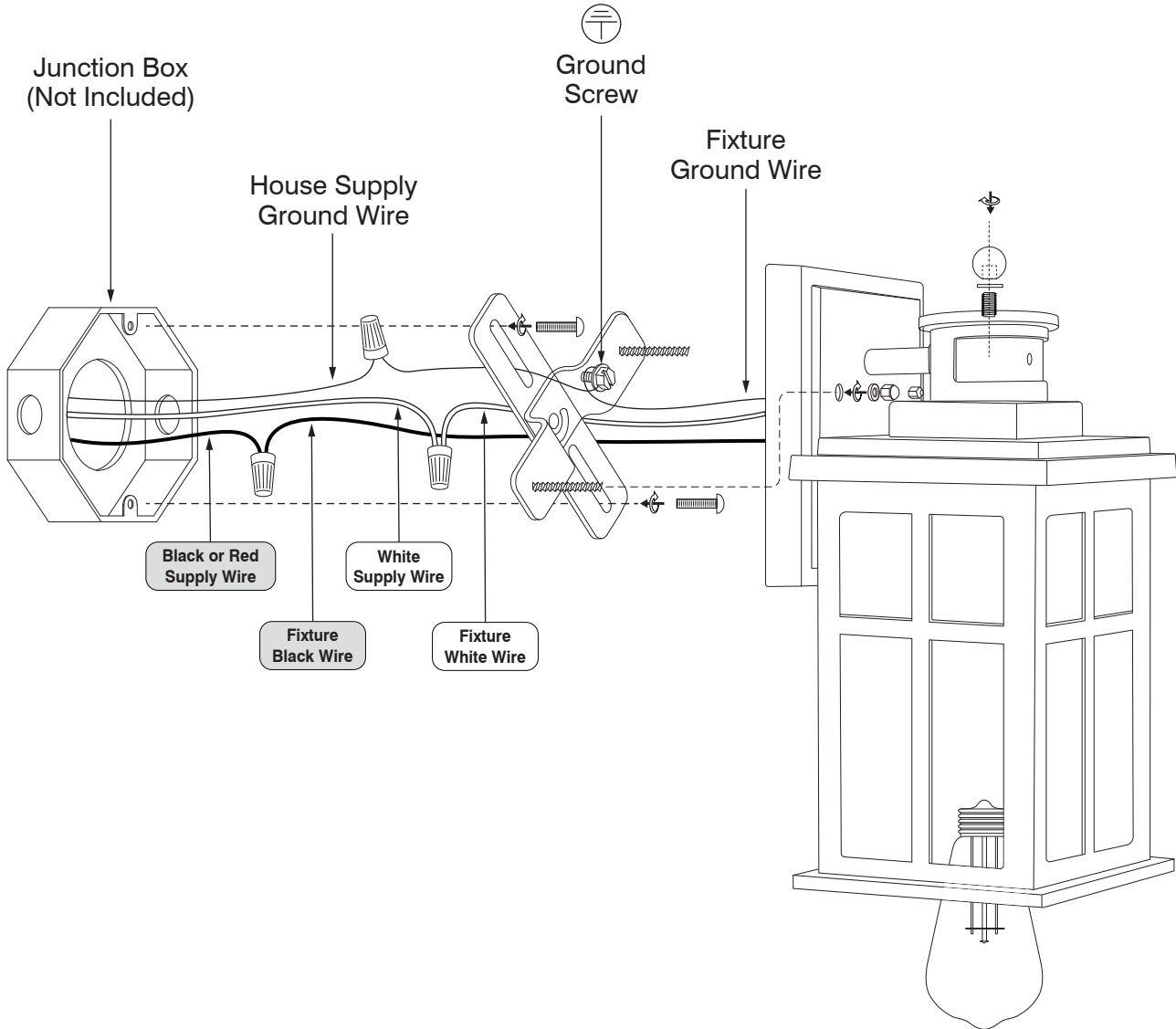
INSTALLATION INSTRUCTIONS FOR OUTDOOR WALL LIGHT



INSTRUCTIONS PERTAINING TO RISK OF FIRE OR INJURY TO PERSONS
READ ALL INSTRUCTIONS

**IMPORTANT SAFETY
INSTRUCTIONS**
SAVE THESE INSTRUCTIONS

Before starting the installation, disconnect the Power by Turning Off the Circuit Breaker. Turning the Power Off using the LightSwitch is not sufficient to prevent electrical shock. All electrical connections and installation must be following local codes, ordinances, and/or National Electric Code and Must Be Done by an Electrician Only.



TYPE			
QTY	3pcs	2pcs	2pcs

E26 Max.60W
 Please use DIMMABLE LED bulbs or incandescent bulbs to be well compatible with the wall lantern and avoid flicker problems. (Bulbs not included)

INSTALLATION NOTES:

Please note: This lamp cannot be installed on any dimmer switch. Using a dimmer switch will damage the sensor circuit of this lamp.

When installed in dim or shaded areas, during winter, or in low-light conditions, the lamp might not switch off automatically. Please manually turn off the lamp when necessary.

ASSEMBLY INSTRUCTIONS

TOOLS AND MATERIALS REQUIRED:



Phillips
Screwdriver



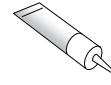
Wire Cutters



Pliers



Ladder



Mastic Silicone
Rubber



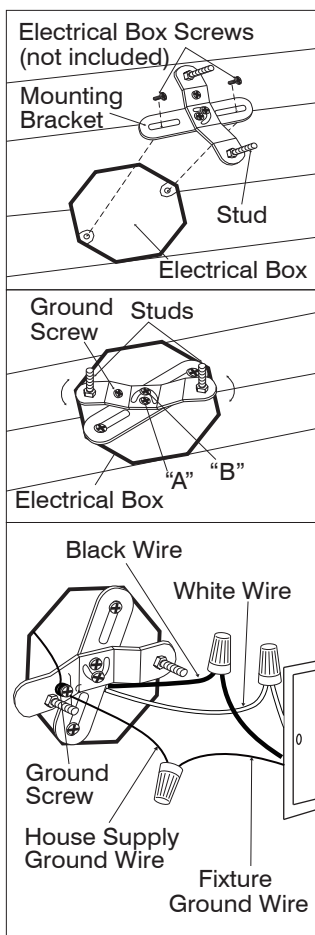
Safety Glasses

SAFETY PRECAUTIONS:

1. Turn off electrical power before starting the installation of the light fixture.
2. This product must be installed in accordance with the applicable installation code by a person familiar with the construction and operation of the product and the hazards involved.
3. Firmly attach the fixture ground wire (bare copper) to the mounting bracket with the ground screw (by wrapping around the ground screw) and then connect it to the house supply ground wire with a wire nut.
4. To clean the fixture, turn off the power, wait for it to cool, and wipe the fixture with a clean, soft cloth.

Note: the product may not look exactly as shown in the figures.

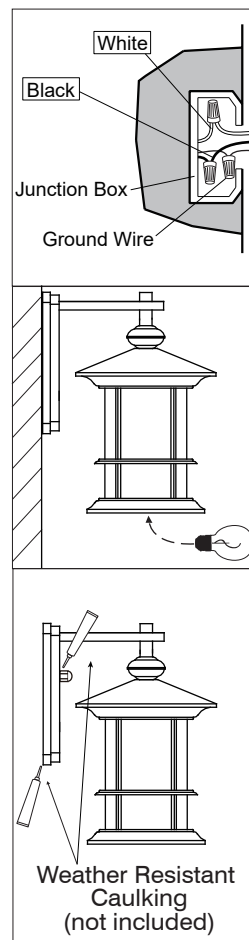
INSTALLATION:



1. Mount the mounting bracket to the electrical box using electrical box screws (not included). Make sure the studs on the mounting bracket are facing out from the electrical box.

2. Position the mounting bracket so that the fixture will sit level once it is mounted to the wall. Tighten screws "A" and "B" to hold in place.

3. Firmly attach the fixture ground wire (bare copper) to the mounting bracket with the ground screw (by wrapping around the ground screw) and then connect it to the house supply ground wire with a wire nut. Connect black wire from fixture to black wire in the electrical box and connect the white wire from fixture to white wire in the electrical box.

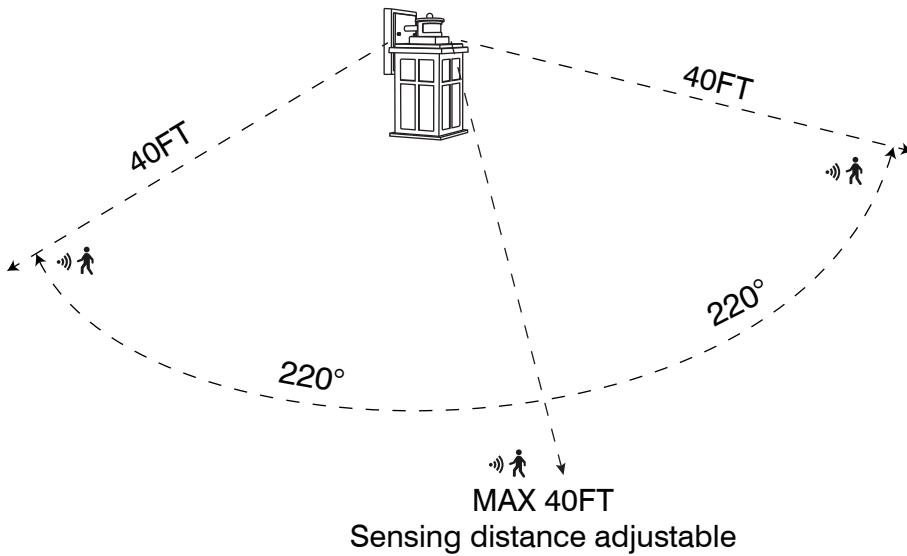


4. Once connections of wires are completed, carefully tuck wires and wire nuts into the electrical box making sure no bare wire (on the black and white) is visible at the wire nuts. Position fixture over studs on mounting bracket assembly. A secure fixture in place cap nut(s).

5. Install the proper bulb type and wattage (not included). Note: Please use dimmable led bulbs or incandescent bulbs to be compatible with wall lights and avoid flicker problems. Very few models of dimming bulbs may have compatibility issues. If flickering occurs, please consider replacing dimming bulbs of other brands.

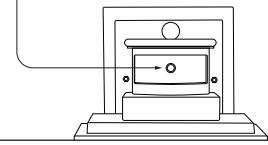
6. After Installation, seal around the top and side perimeter between the fixture and the wall surface with weather-resistant caulking. The bottom should be left un-caulked to prevent moisture build-up. Apply a small amount of weather-resistant caulking around the side perimeter between the cap nut and mounting plate.

MOTION SENSOR QUICK GUIDE



Sensor Button

Short press to switch mode
Long press to adjust brightness



ECO MODE

☾ OFF

1. Press mode button.
2. The indicator light turns GREEN.
3. Change mode to ECO mode



DIM MODE

☾ 30%

1. Press mode button.
2. The indicator light turns RED.
3. Change mode to DIM mode



D2D MODE

☾ 100%

1. Press mode button.
2. The indicator light turns BLUE.
3. Change mode to D2D mode

Override 8H Mode

☾ 8H

1. Turn the light switch "off-on" within 2 seconds.

DIM MODE:

With 30% dim light at night, activated with 100% light once motion is detected, revert to 30% brightness without movement. Full turn-off at dawn.

ECO MODE:

Full off at night, 100% light once motion is detected, revert to full off brightness without movement. Full turn-off at dawn.

D2D MODE:

Keep 100% brightness at night and automatically turn off at dawn.

Override 8H Mode:

Turn the light switch "off-on" within 2 seconds. The wall light will be forced to maintain 100% brightness for about 8 hours and then resume the last working

Mode switch:

The button on the sensor is a mode switch button. Pressing the button will cycle through different operating modes based on the color of the indicator light.

Adjust light brightness:

To adjust the brightness, press and hold the sensor button. The bulb will cycle through different brightness levels. Release the button once you reach your desired brightness, and the light fixture will save your selected brightness setting.

Please refer to the motion sensor manual for more detailed function settings.

1 YEAR LIMITED WARRANTY*

This Light Fixture is warranted against defects in material and quality for 1 year from the purchase date. This warranty does not cover acts of nature such as lighting damage or corrosion and discoloration of components. Nor does it cover damages caused through abuse, improper installation, surges in electric current, or acts of third parties. This warranty does not cover the costs of removing and resealing the lighting fixture. If this product falls for any reason covered by this warranty, feel free to contact us.

