


INSTRUCTION MANUAL


Oversized Power Recliner


! NOTICE

Please retain these instructions for future reference.

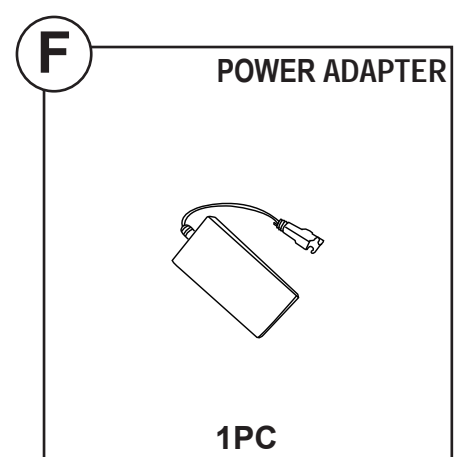
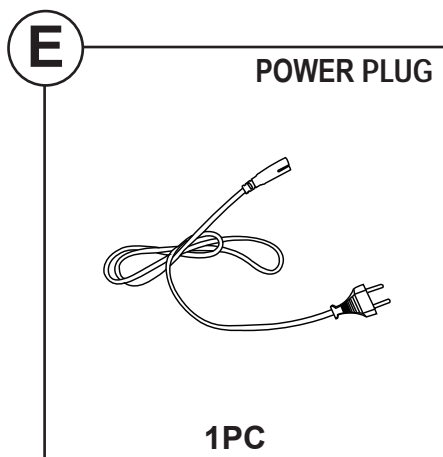
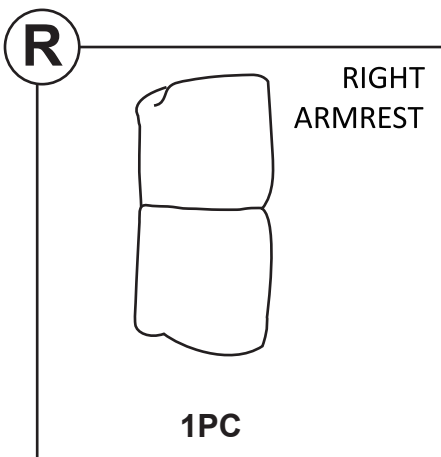
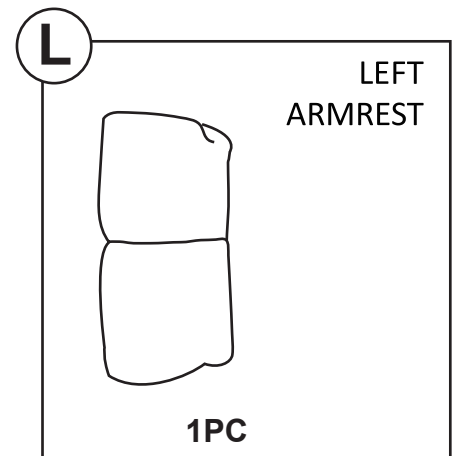
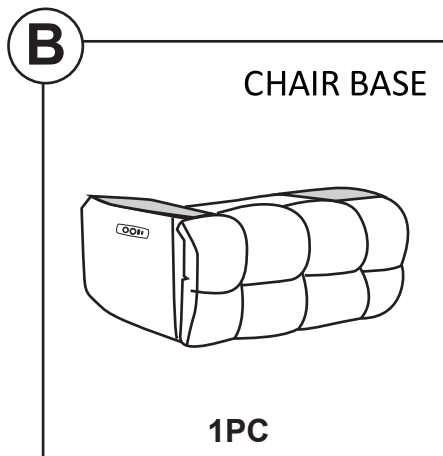
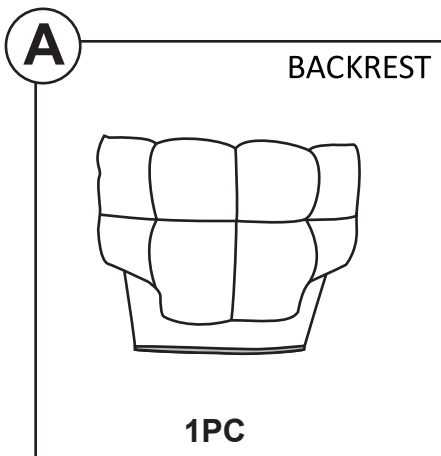
- Please do not store this product in a damp environment.
- Please do not place this product near a heat source or in proximity to open flame or flammable/combustible chemicals.
- Ensure no water or other liquids come into contact with the product to prevent damage.
- Secure all bolts and knobs firmly before use and reconfirm their tightness every 90 days.
- Do not exceed the weight limitations of this item and avoid standing on or jumping on it.
- Be cautious of heavy parts with sharp edges.
- Adhere to the manufacturer's instructions to avoid voiding the product warranty.
- Follow the local laws and regulations for the disposal of this product.

 **300 LBS CAPACITY**

 **2-PERSON ASSEMBLY**

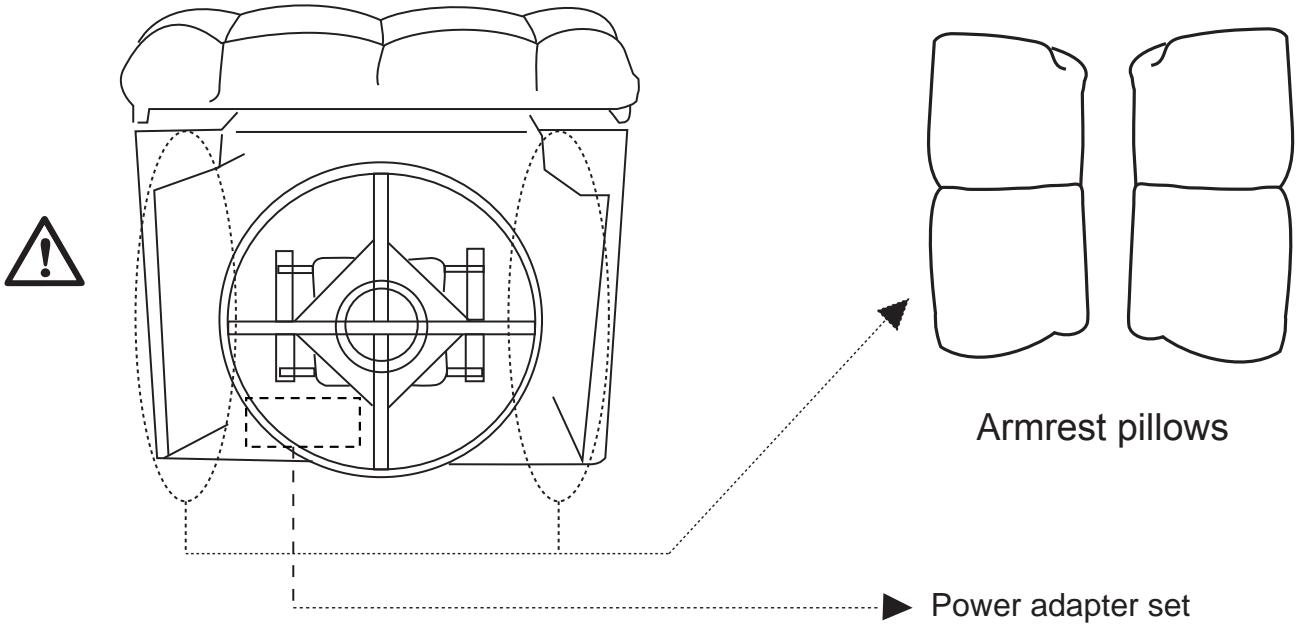
 **APPROXIMATELY 10 MIN. ASSEMBLY**

PARTS



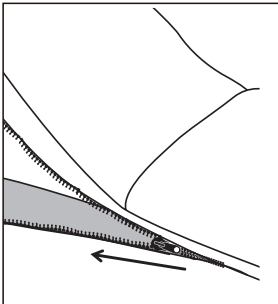
PRODUCT ASSEMBLY

- 1** The armrest pillows (L,R) and power adapter set (E,F) are located at the bottom of the chair base(B). Please make sure to take them out before assembling the chair.

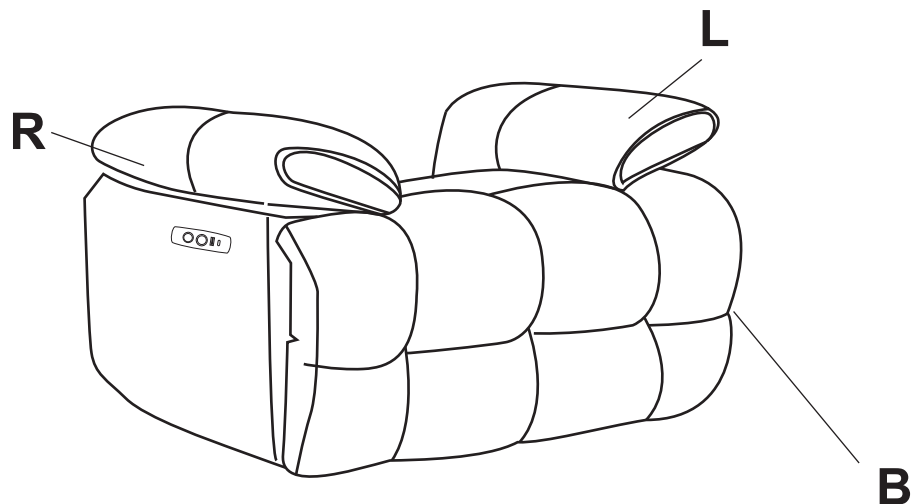
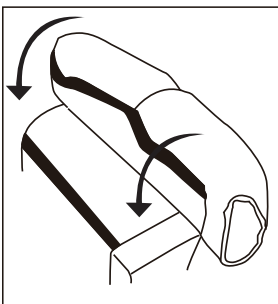


- 2** Attach the left armrest pillow (L) and the right armrest pillow (R) to the chair base using the zip fastener, and then secure the other side of the armrest pillow with a velcro strap.

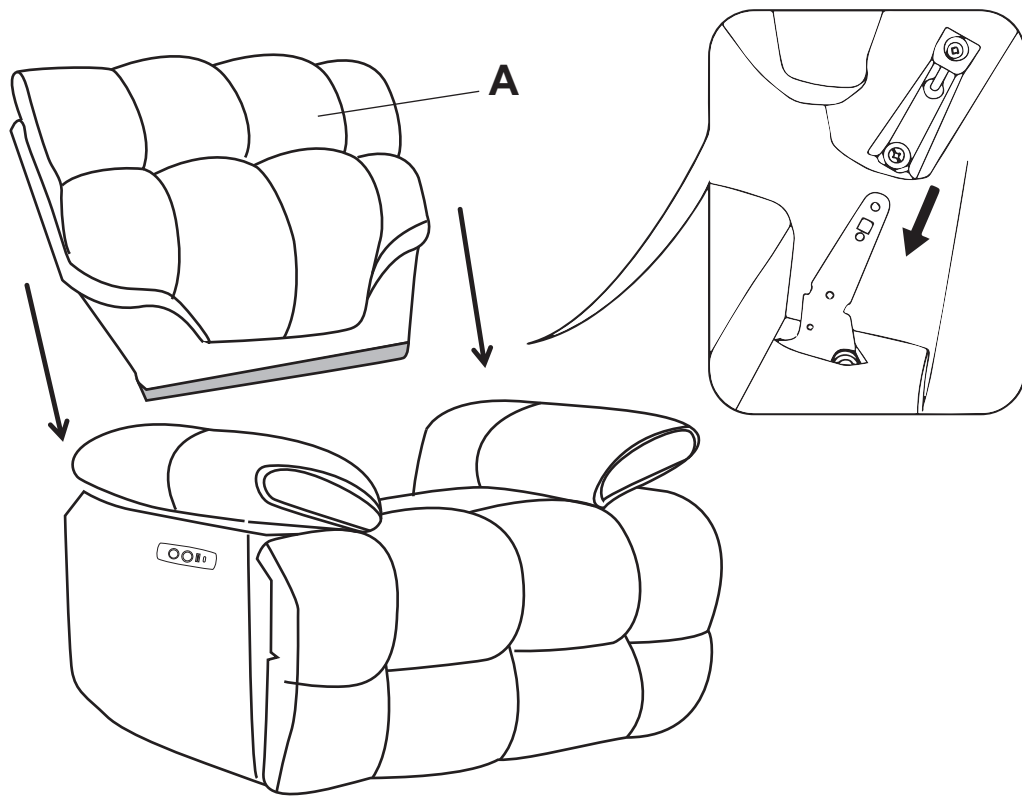
Step 1



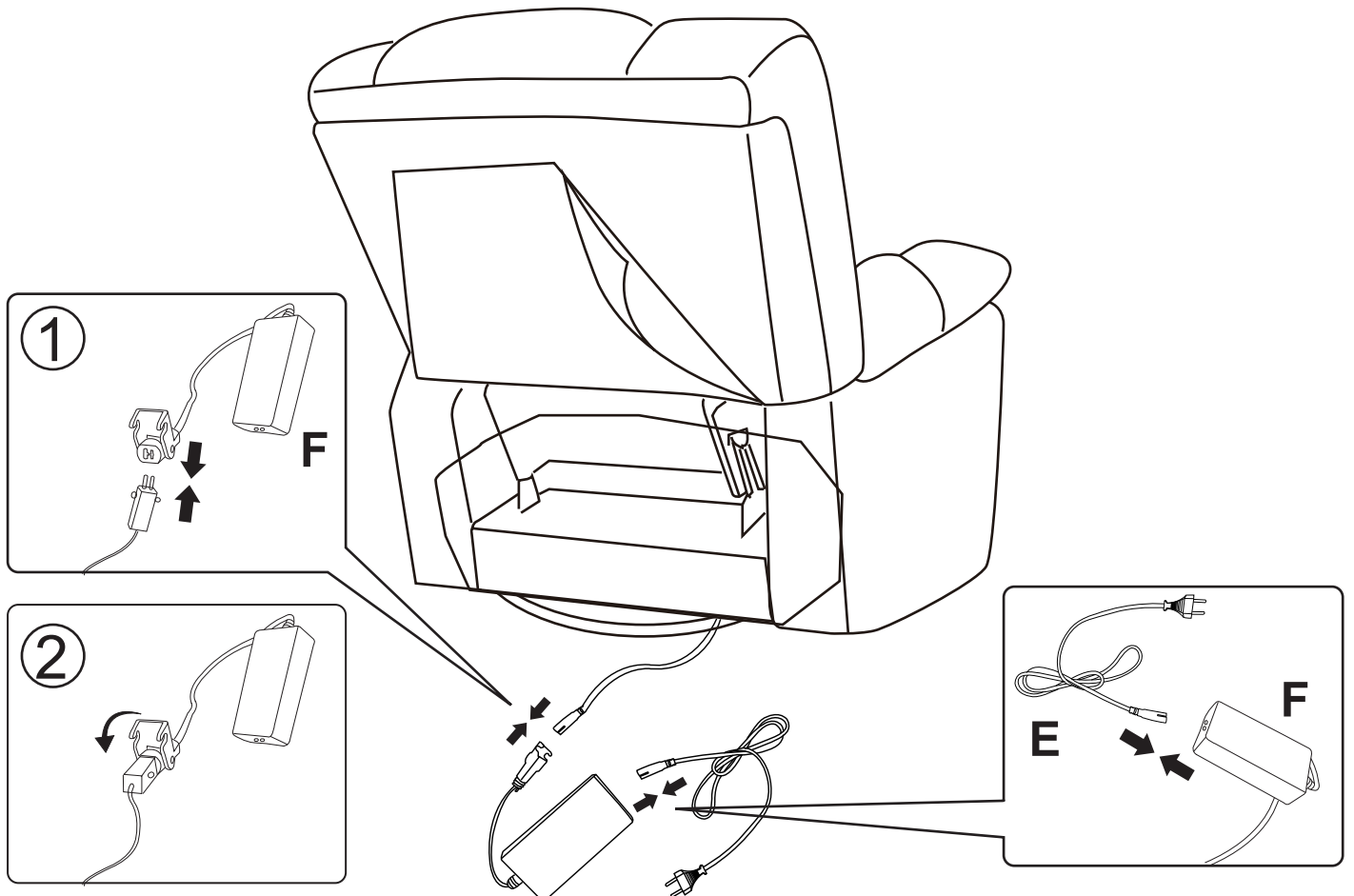
Step 2



- 3** Insert backrest A into the chair base B, align the corresponding slots, and then lower the backrest. Make sure the slots on the backrest fully insert to the bottom with a “click” sound.

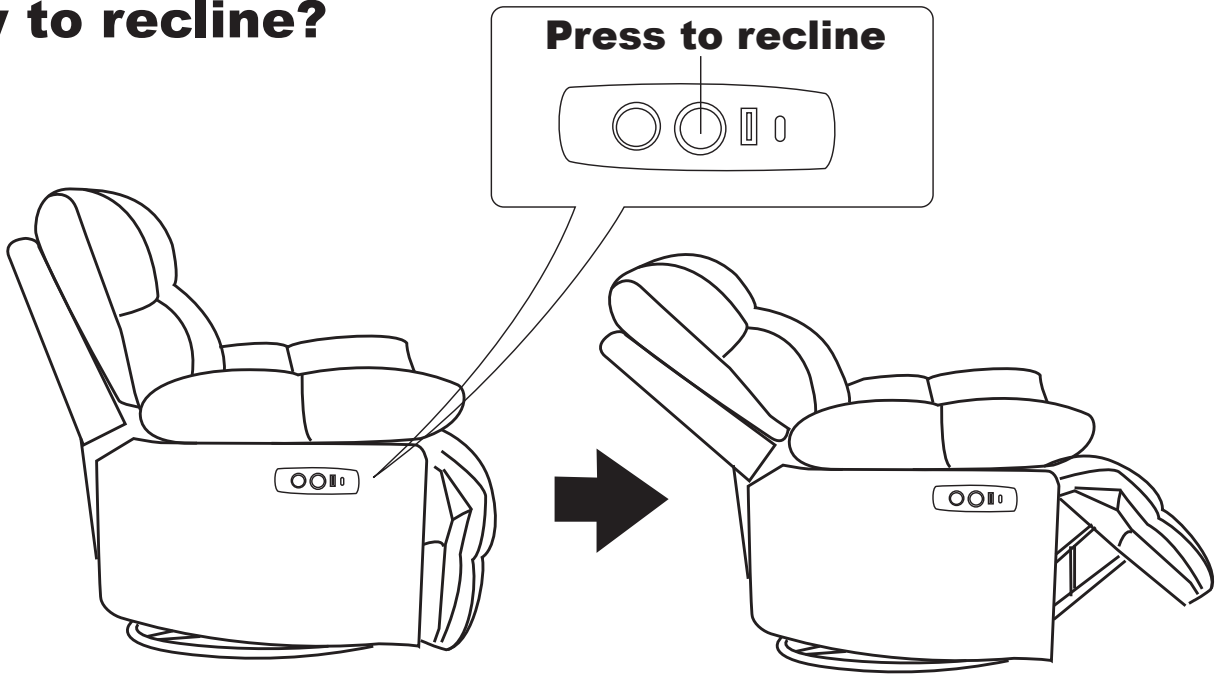


- 4** Connect the cables according to the diagram. Only plug in the power after all connections are secure.



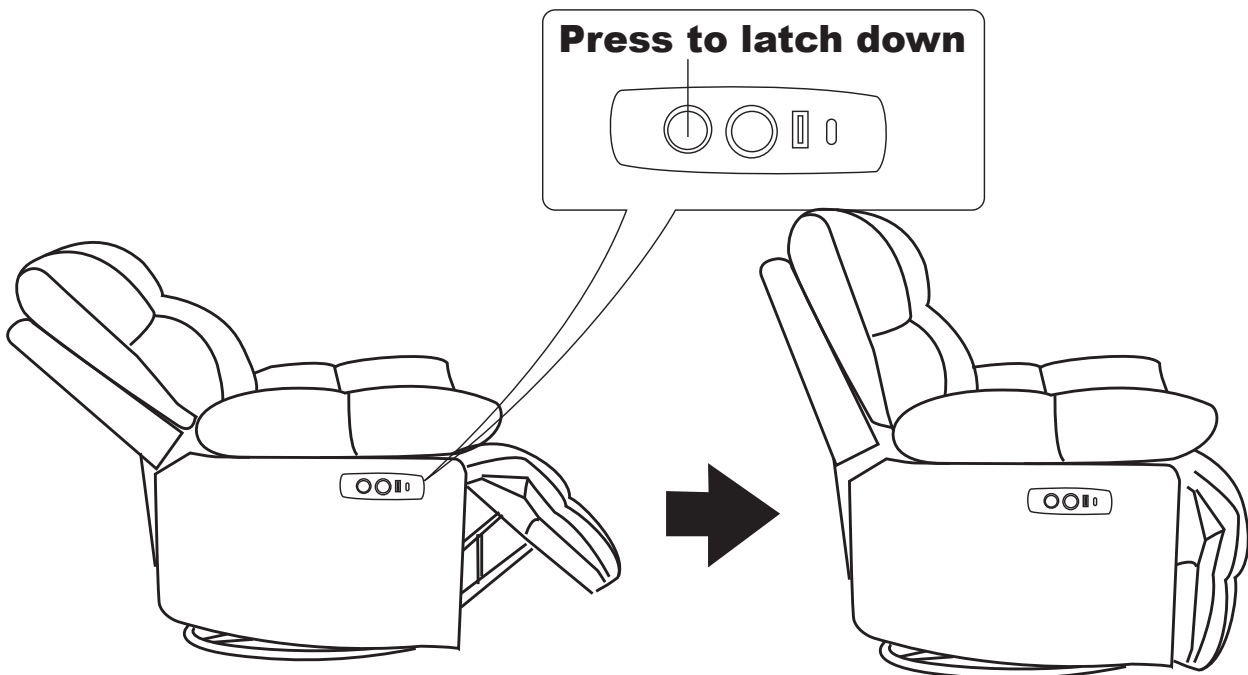
INSTRUCTION FOR USE

How to recline?



INSTRUCTION FOR USE

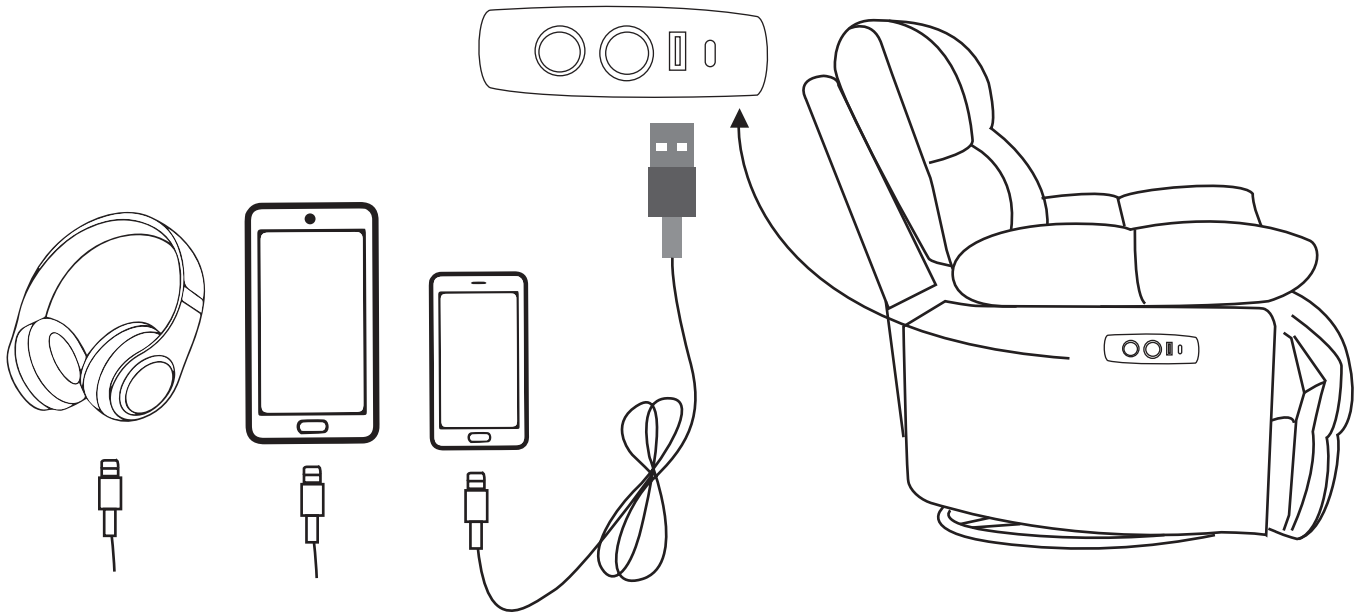
How to get footrest latch down?



How to use control panel?

The control panel is designed for managing chair reclining features.

It also includes a USB outlet (5V2A) and a Type-C outlet (5V2A) to conveniently charge your devices, such as smartphones, iPads, headphones, and Kindles.



ATTENTION!

Make sure you have received all the parts before assembly.

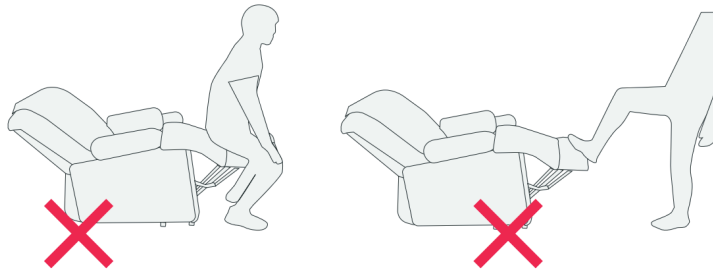
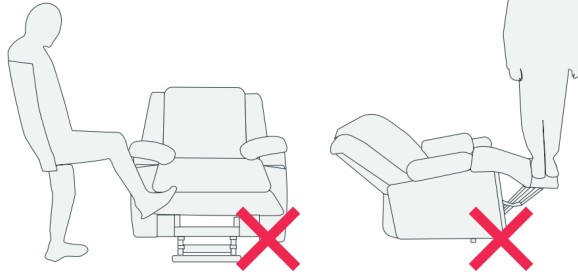
Upon unpacking a new recliner, it may exhibit some deformation from compression. To restore its shape, gently pat and tap it with your hands.

Unplug the power for safety when not in use for a long time.

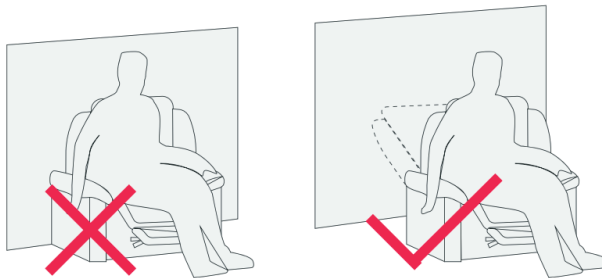
Feel free to contact us for any questions.

WARNING!

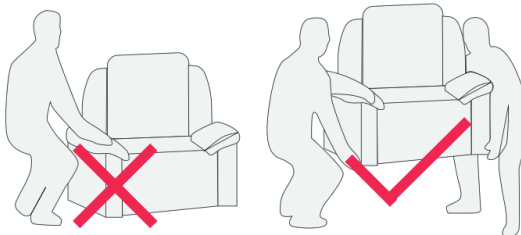
Do not sit, stand or step on the footrest after reclining.



Ensure there is enough space (more than 12") between the backrest of the chair and the wall before you lean back.



Two people are needed to move the chair.



Do not move the chair when it is reclined.

