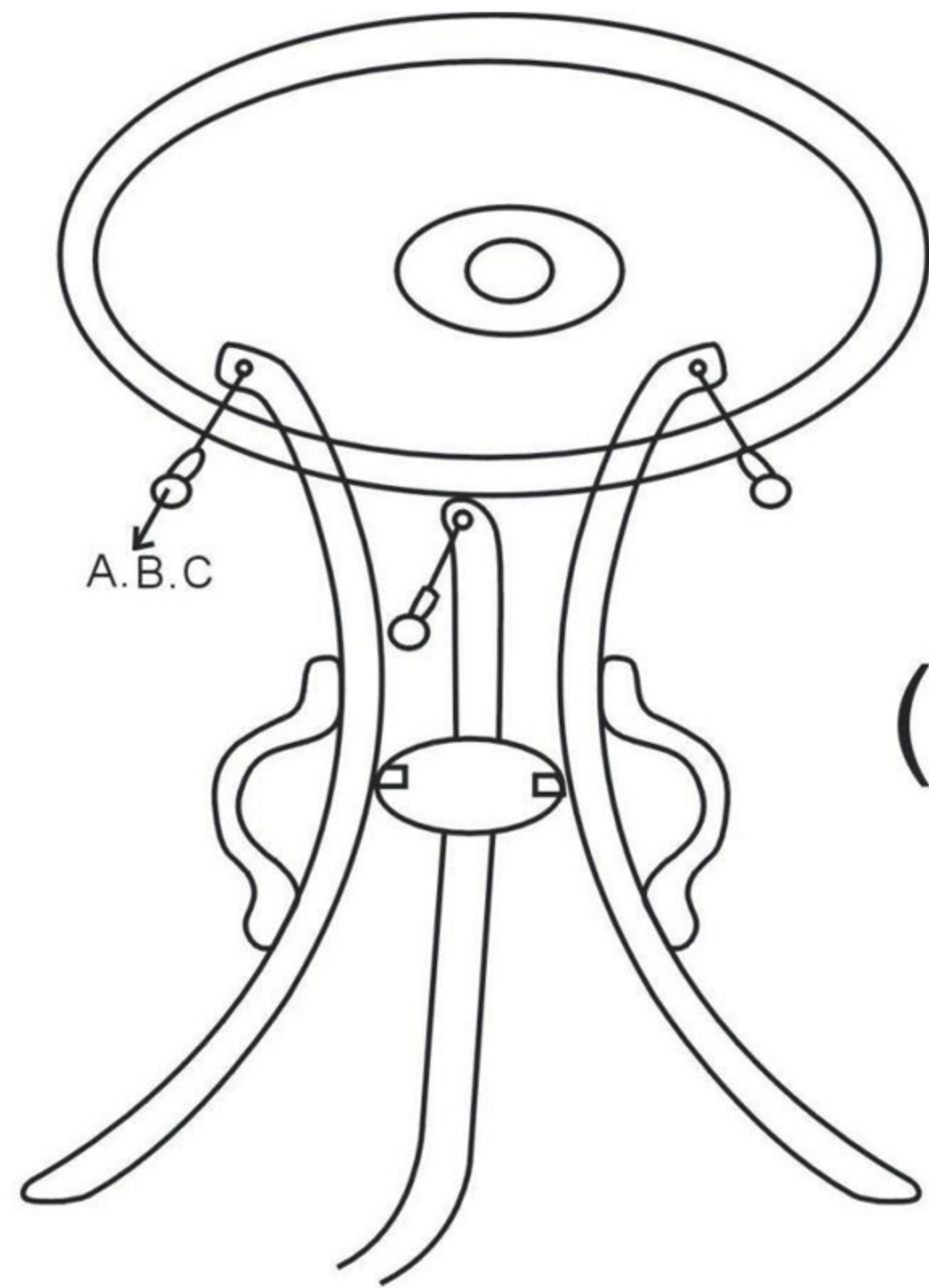
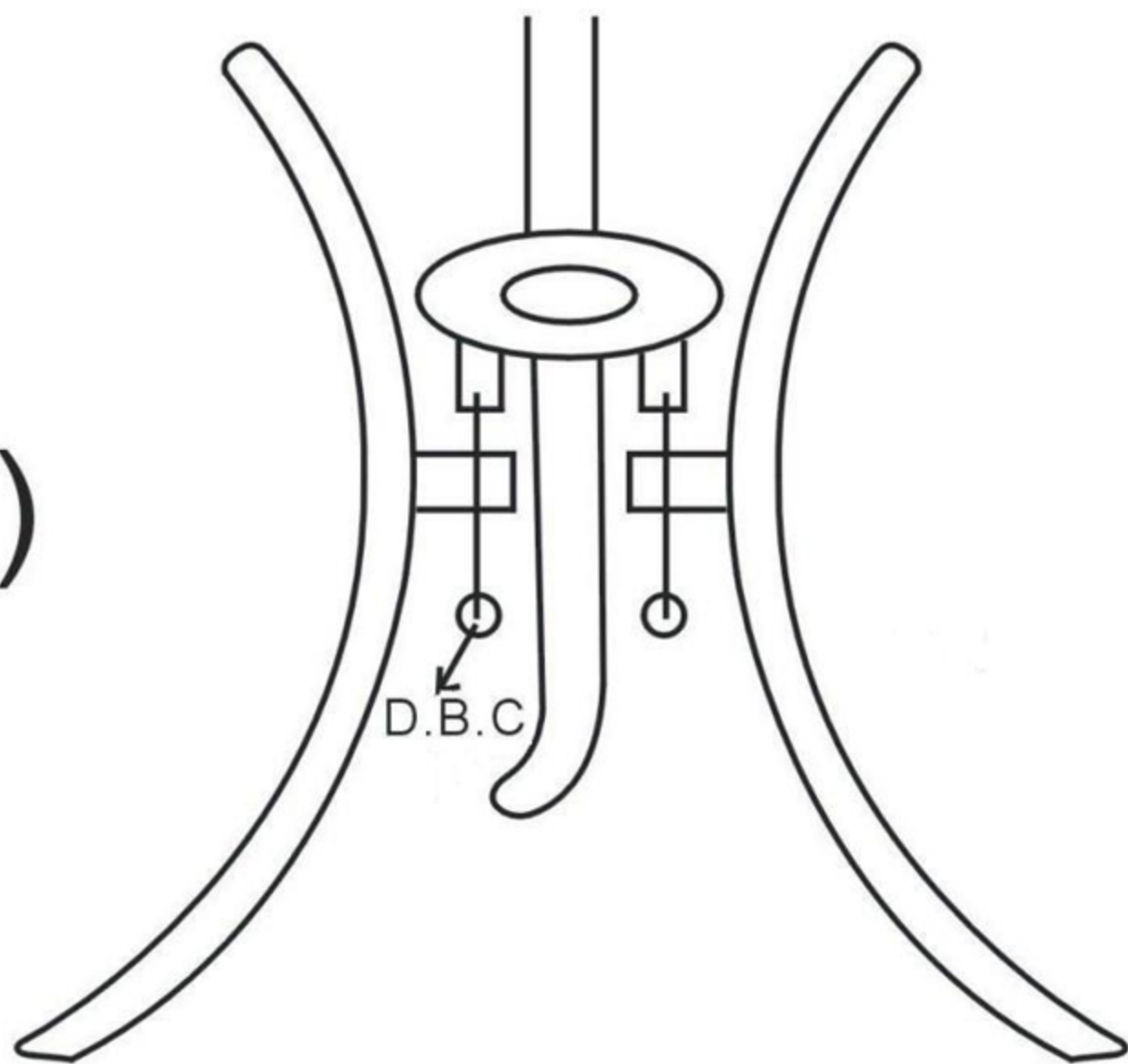
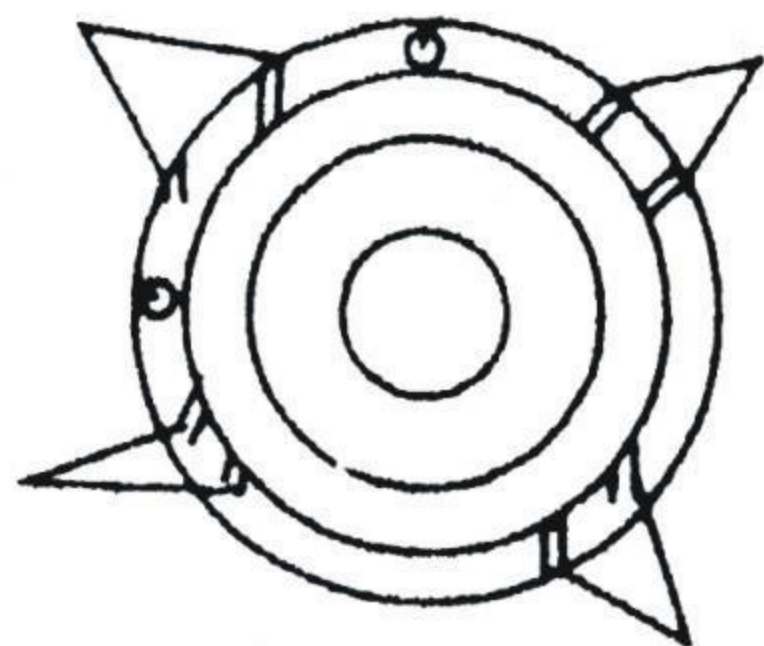


(1)

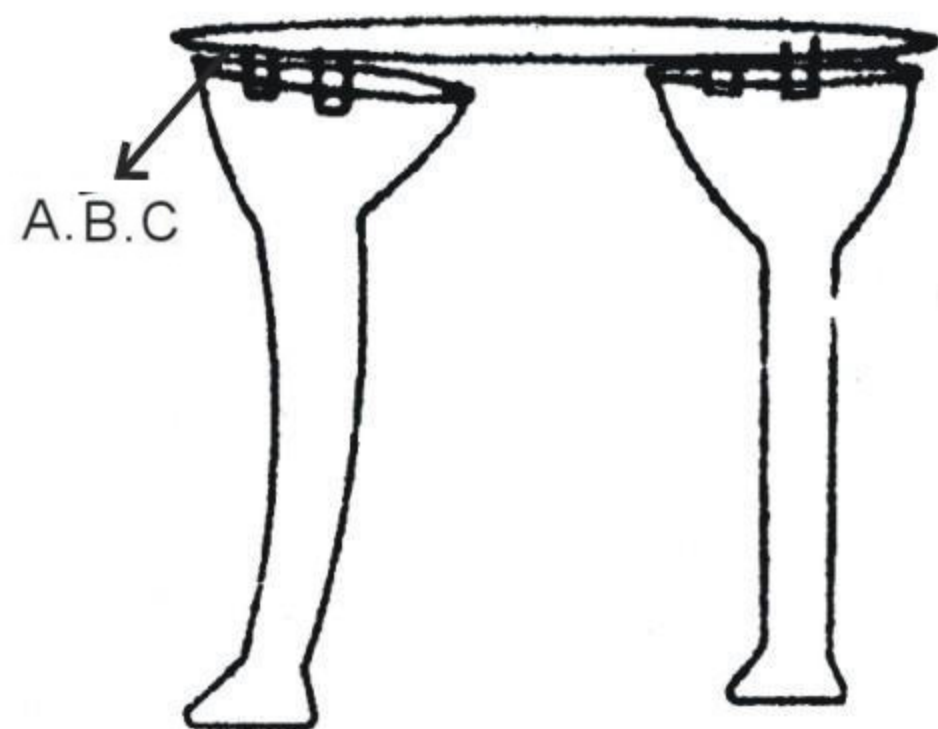


(2)

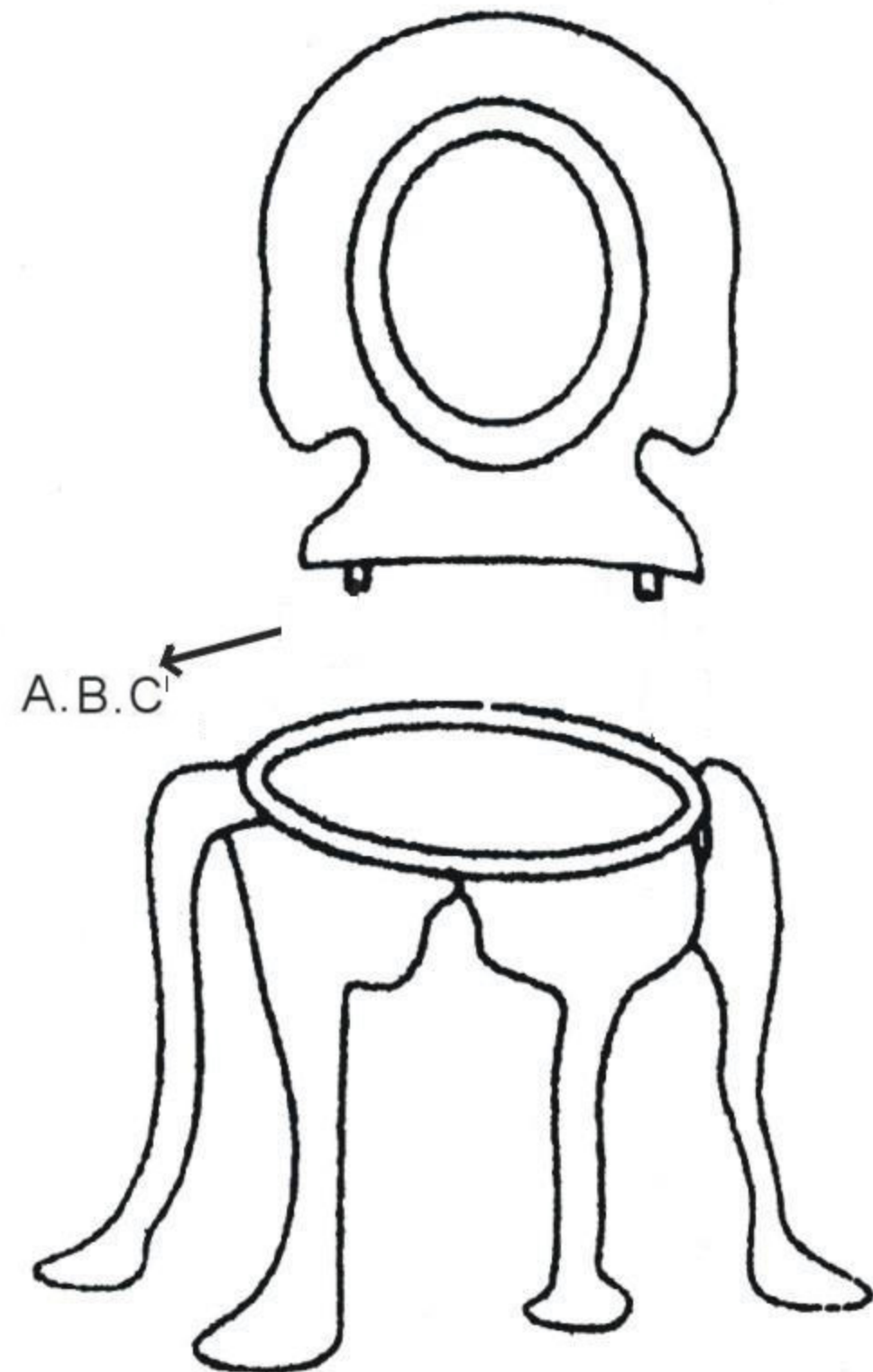
A	┆	6pcs
B	⊙	9pcs
C	○	9pcs
D	↑	3pcs



(1)



(2)



(3)

A	!	10pcs
B	⊙	10pcs
C	○	10pcs