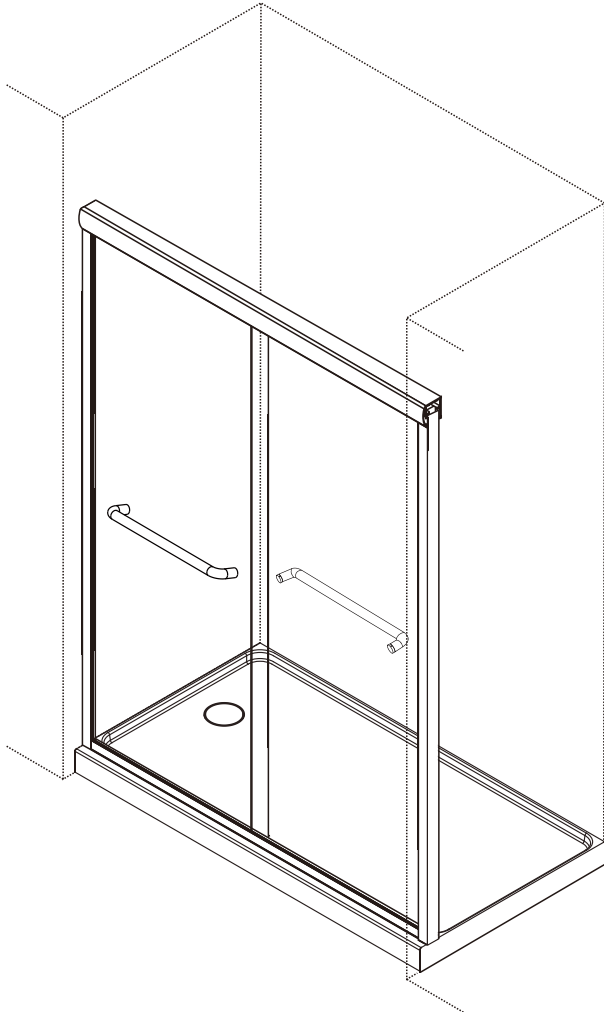


SLIDING SHOWER DOOR INSTALLATION INSTRUCTION

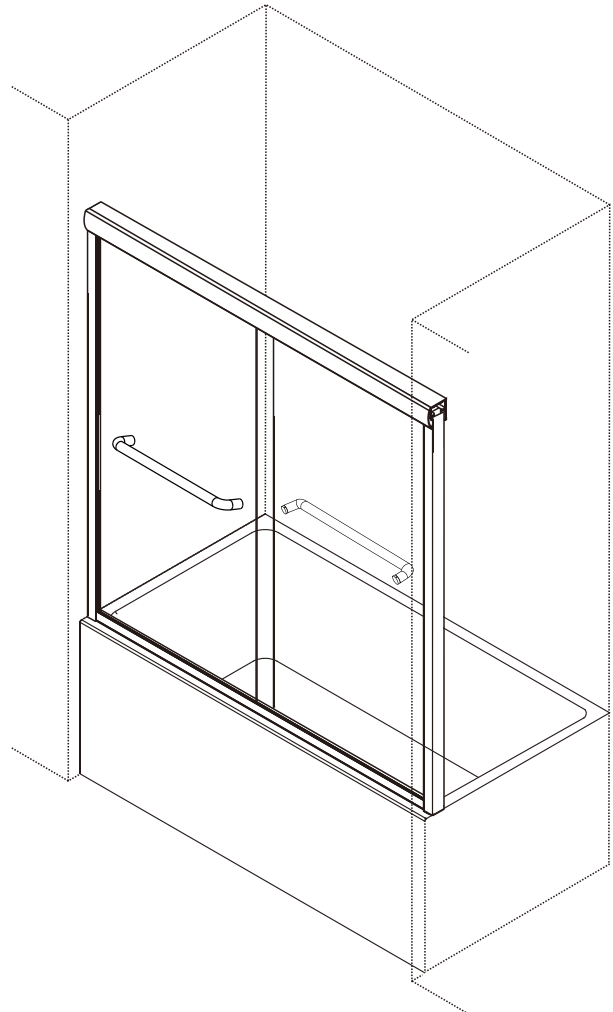
HOROW®



BE6072/HR4872



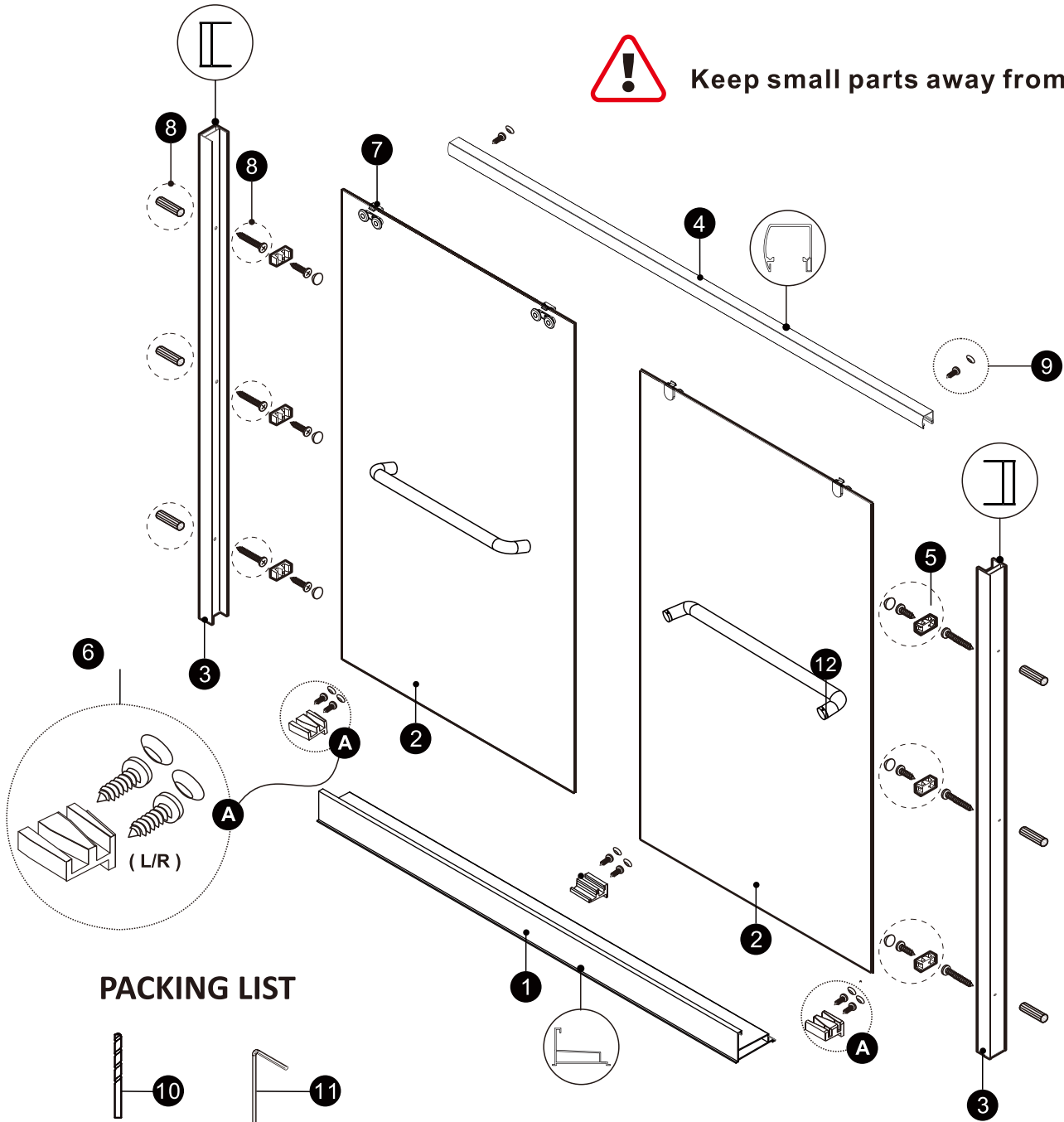
Scan to get install video



HR-BE6060



Keep small parts away from children!

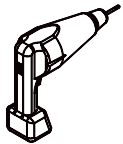


PACKING LIST

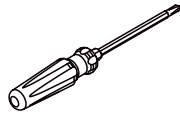


Part #	DESCRIPTION	QTY	Part #	DESCRIPTION	QTY
1	Bottom Rail	1	9	Screw St4 x5/8" and caps	2
2	Door Panels	2	10	1/8" Driller bit	1
3	Wall Jamb Profile	2	11	Towel bar hex key	1
4	Top Rail	1	12	Towel bar	2
5	Anti-collision parts	6			
6	Bottom Guider	3			
7	Roller Bracket Assembly	4			
8	Screw St4 1 1/4" and wall plugs	6			

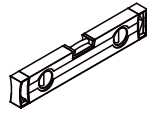
TOOLS AND MATERIAL REQUIRED



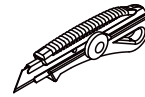
Drill



Screw Driver



level



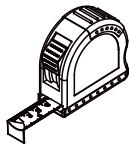
Precision knife



Silicone



Drill Bit



Measuring Tape



Set Square

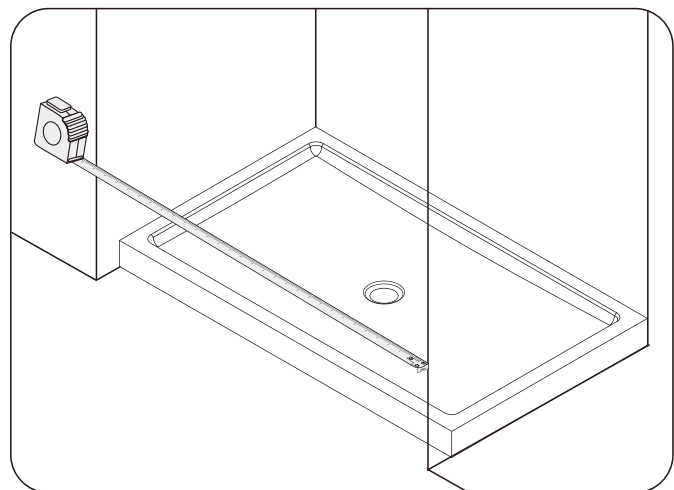
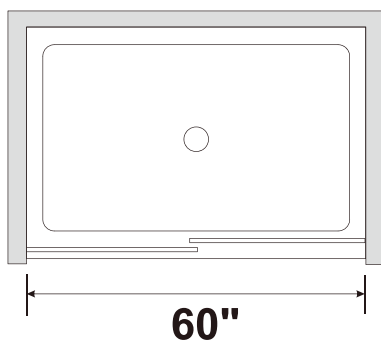
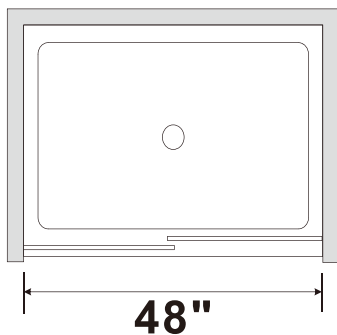


Pencil



Rubber Hammer

PREPARATION FOR INSTALL

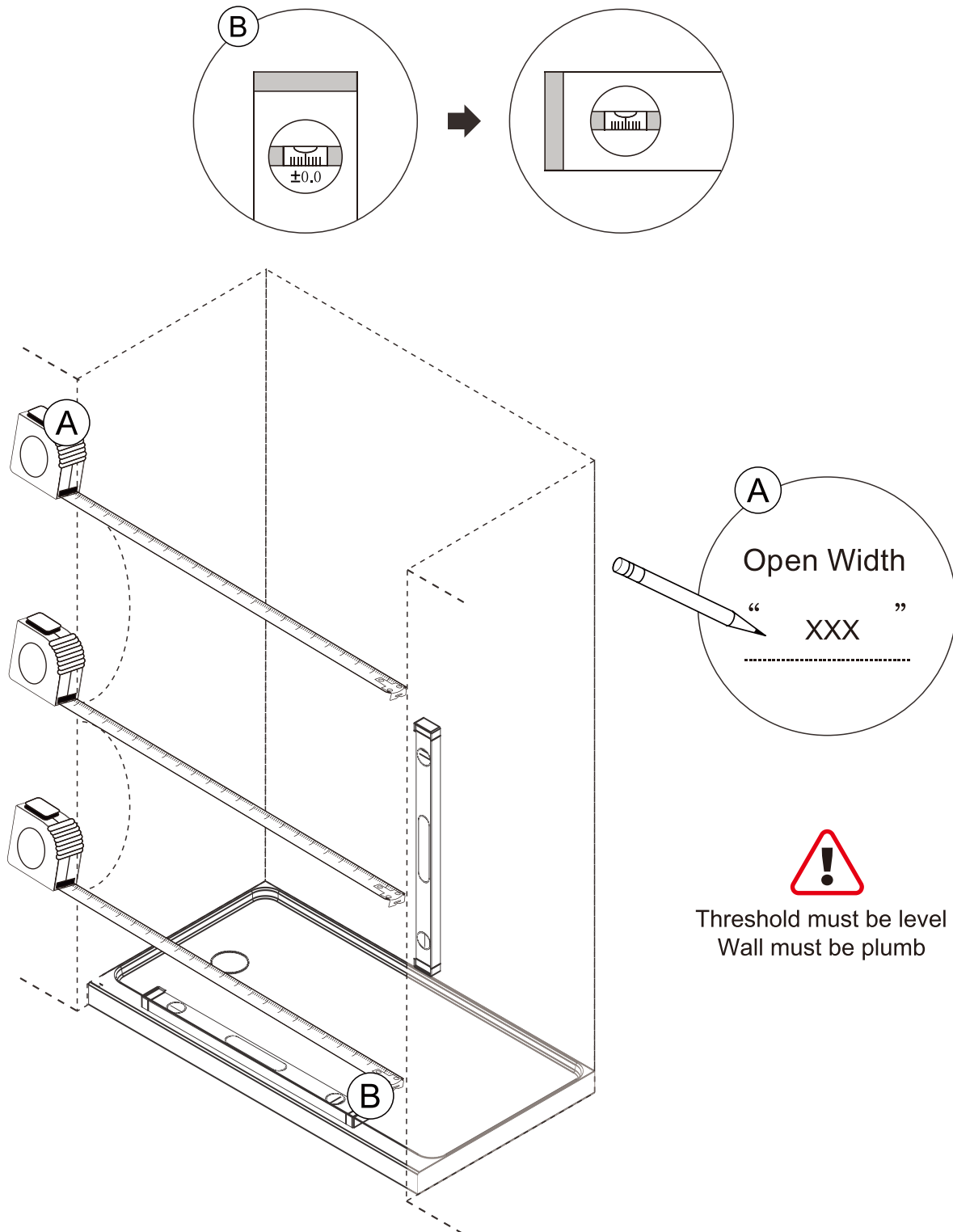


UNPACK THE SHOWER DOOR AND TAKE PHOTOS

1. Open the package and check if the glass is broken, shattered, etc.
2. Please check the hardware carefully for scratches, missing pieces, etc.
3. Any problems with the product, please take a photos and send to support@horow.com
We will be happy to solve it for you!

SLIDING SHOWER DOOR INSTALLATION INSTRUCTION

HOROW®



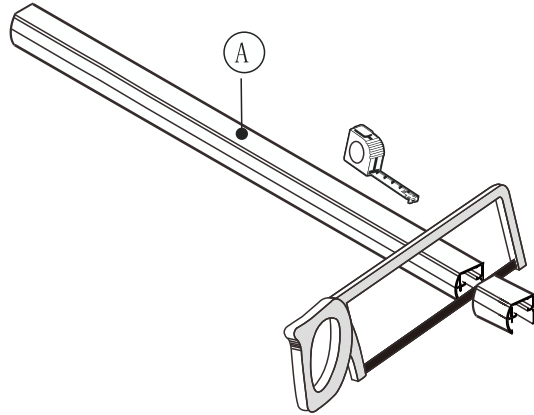
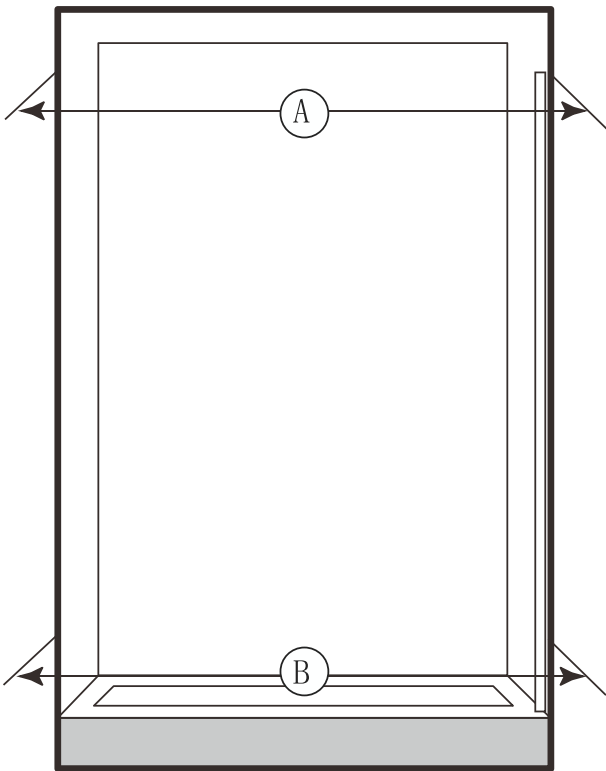
TOP/BOTTOM RAIL CUTTING



If your on-site size does not meet 48 inch / 60 inch product installation size, please cut the top / bottom rail following our recommendations.

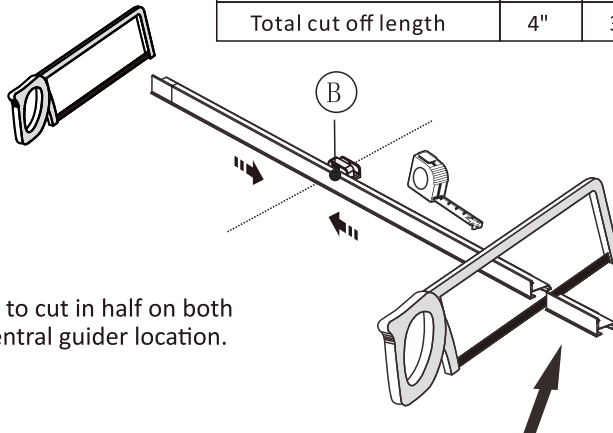
Top rail cut formula _____

Application for 60" shower door					
Finished opening (width)	56"	57"	58"	59"	60"
Total cut off length	4"	3"	2"	1"	/
Application for 48" shower door					
Finished opening (width)	44"	45"	46"	47"	48"
Total cut off length	4"	3"	2"	1"	/



Bottom rail cut formula _____

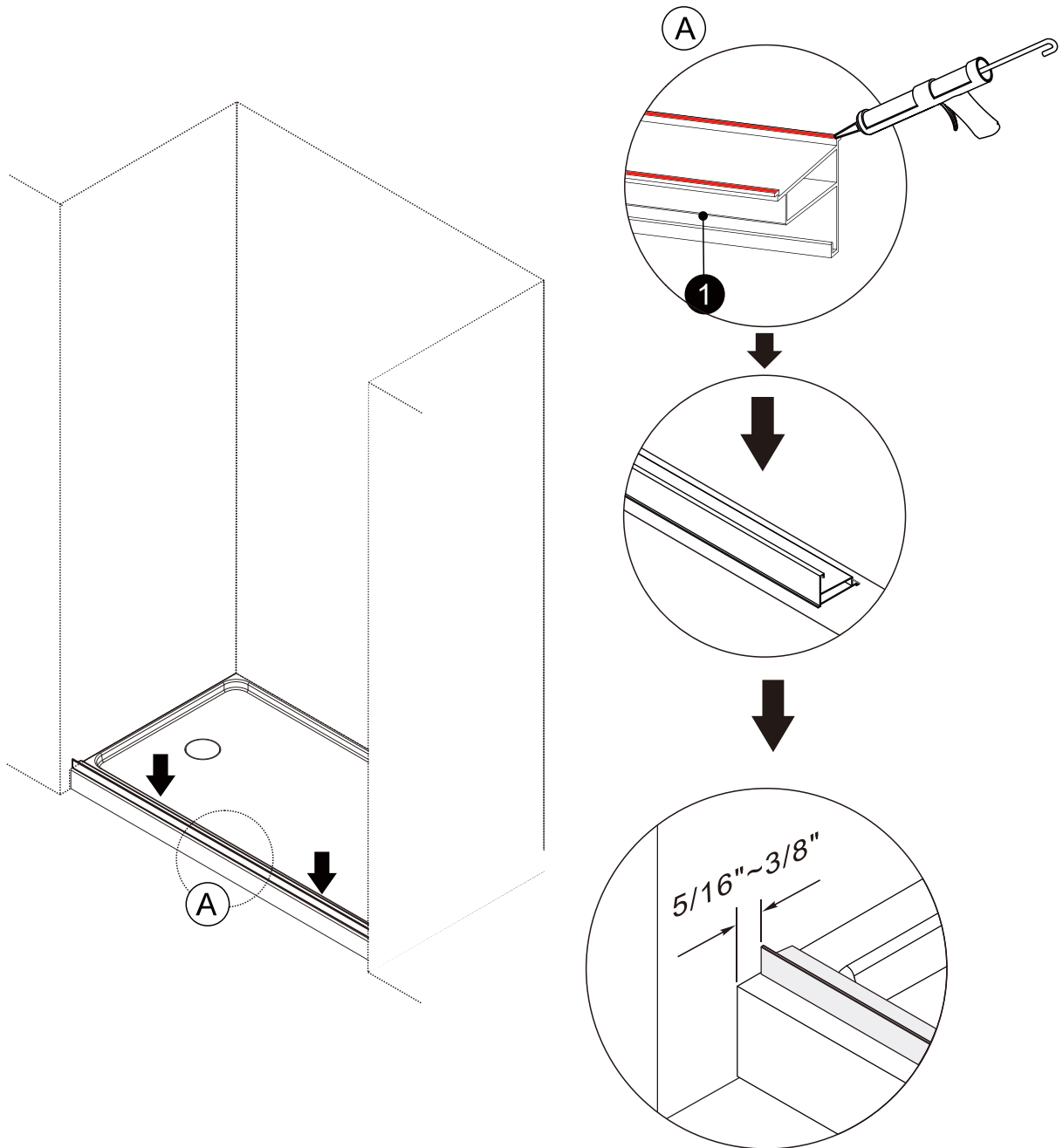
Application for 60" shower door					
Finished opening (width)	56"	57"	58"	59"	60"
Each side cut off length	2"	1½"	1"	½"	/
Total cut off length	4"	3"	2"	1"	/
Application for 48" shower door					
Finished opening (width)	44"	45"	46"	47"	48"
Each side cut off length	2"	1½"	1"	½"	/
Total cut off length	4"	3"	2"	1"	/



The bottom rail needs to cut in half on both sides to ensure the central guider location.

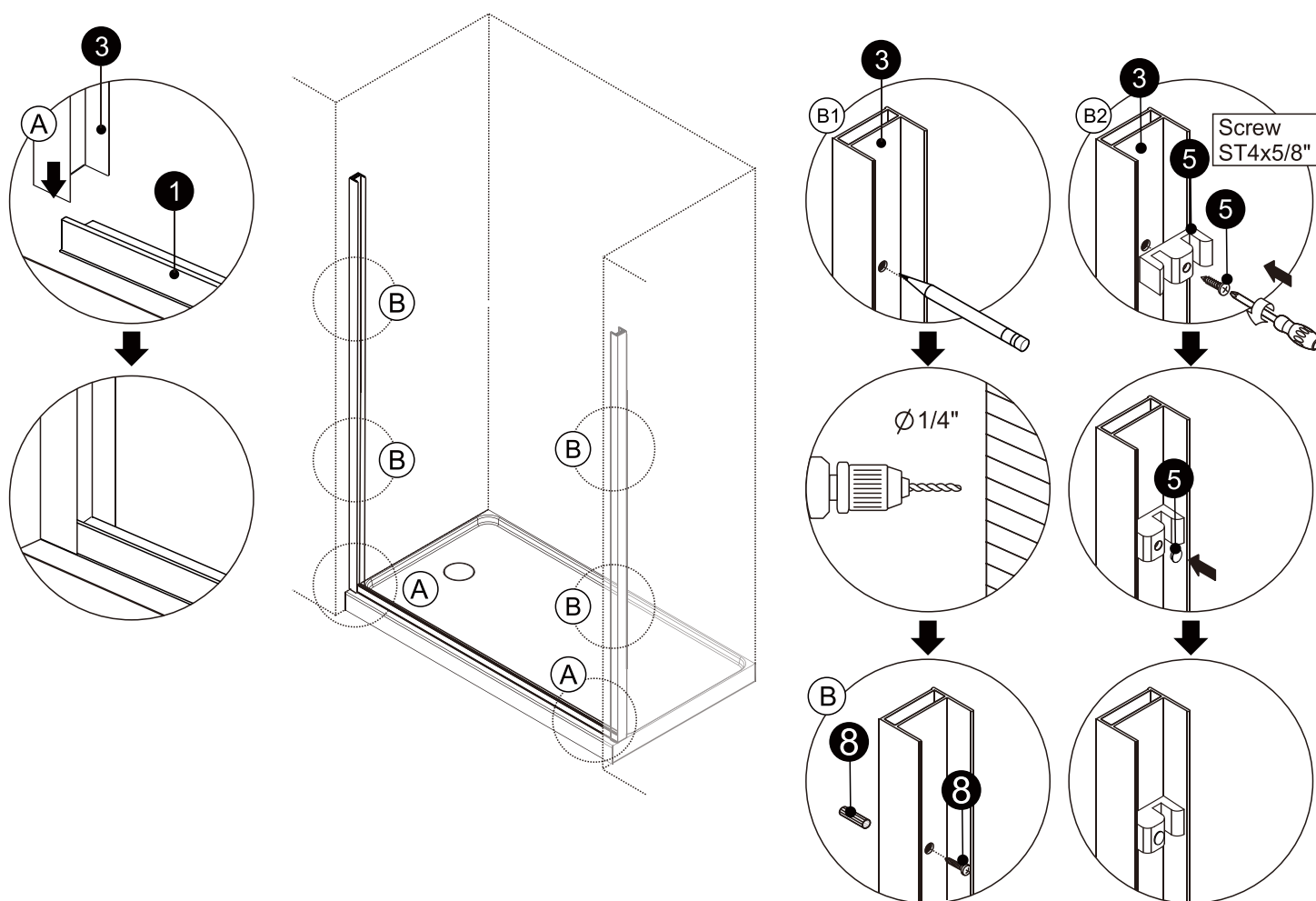
BOTTOM RAIL INSTALLATION

Step A: Caulking silicone at back side of bottom rail, Then install bottom profile.



WALL PROFILE INSTALLATION

Step A: Place wall profile in position as per instruction.



Step B: install wall profile and fixing glass blocks.

B1: Use pencil mark holes location. Then us $\phi 1/4$ " driller to drill holes.

Install wall plug and fixing the profile against wall.

B2: Fixing glass blocks against wall profile, then cover the caps,

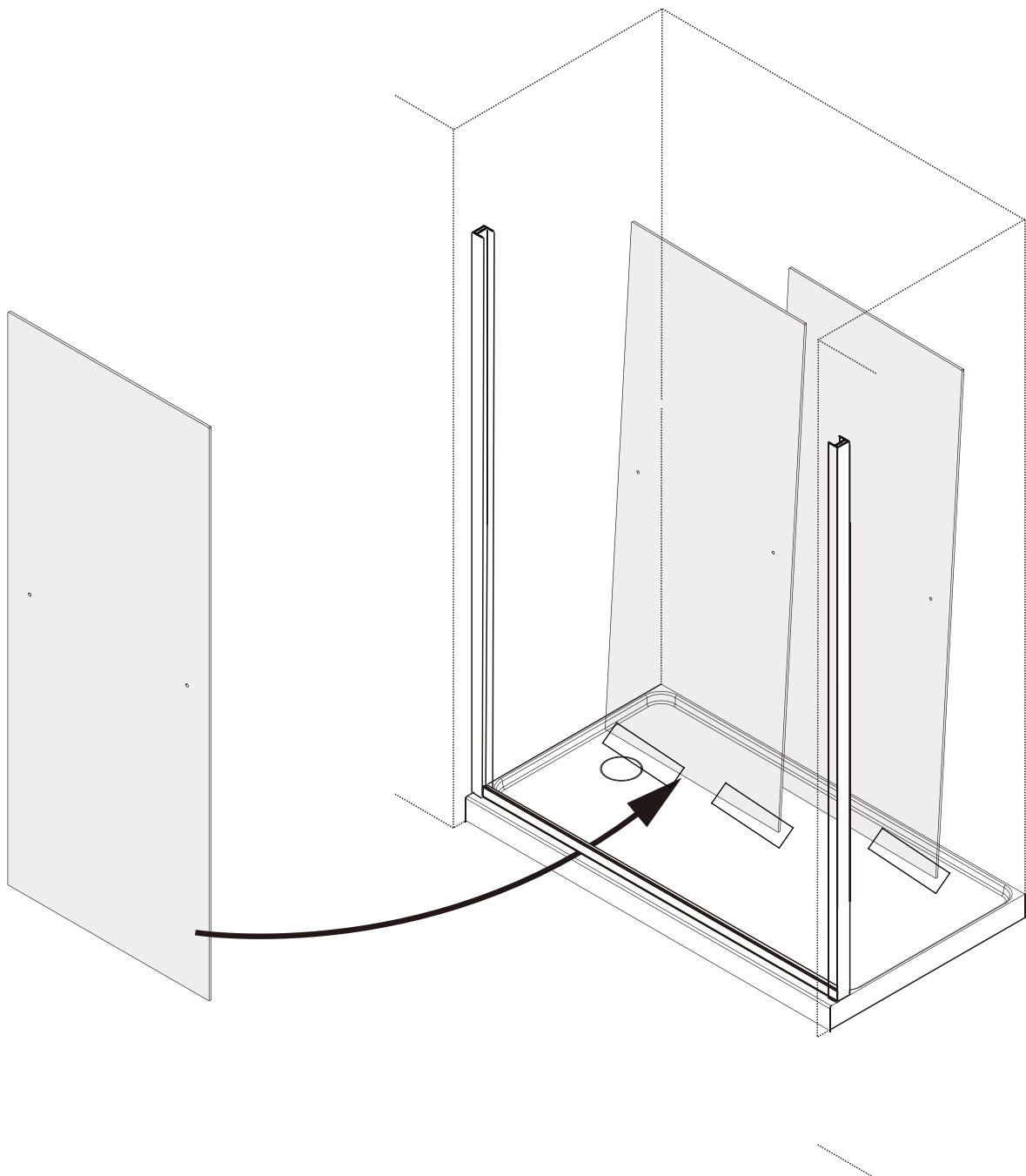
DOOR PANEL INSTALLATION

Step A: Preparation work for Door panel installation.

Before fixing top rail, move door glass panel into inside.

For avoid of glass hard to hard contact with tiles or shower base,

It is required to put a foam pad or cardboard on the ground for protection glass.



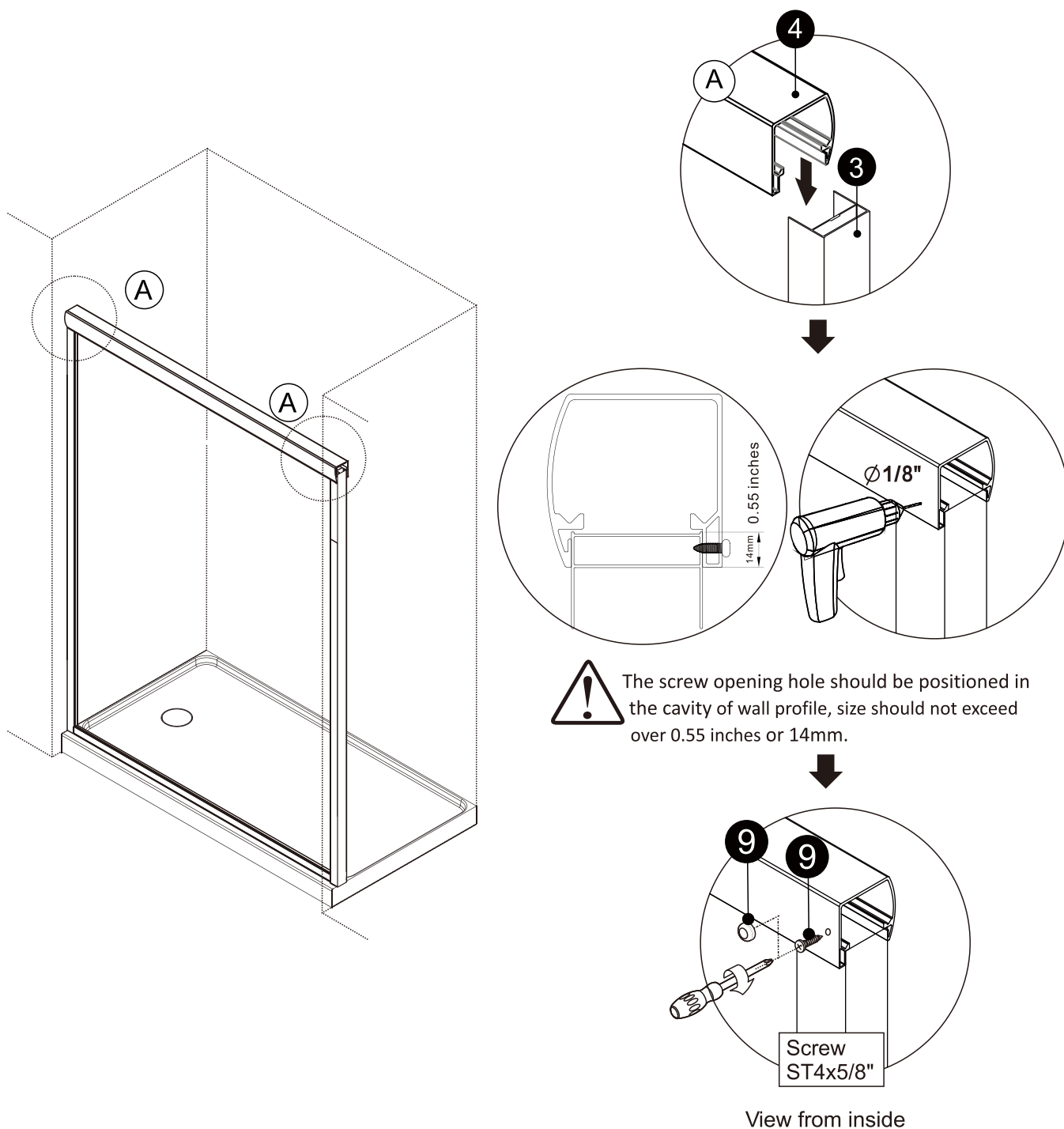
TOP RAIL INSTALLATION

Step A: Install top rail.

Follow instruction to install top rail, please note the curve side is for exterior side.

Use \varnothing 1/8" drill to drill holes between top rail and wall profile on both sides.

Tighten over screw and cover caps.



EXTERIOR DOOR INSTALLATION

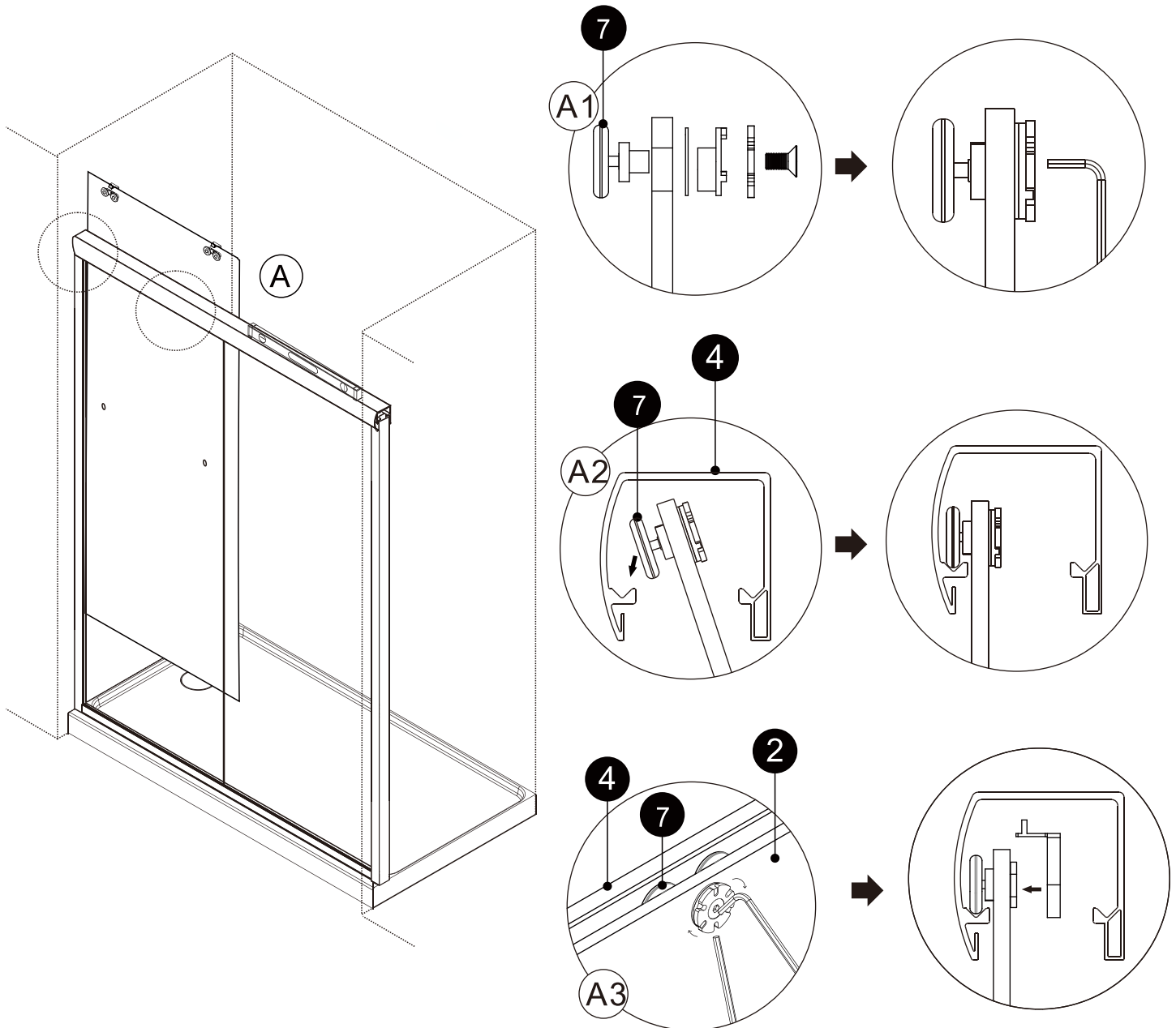
Step A: Install the Exterior Glass door panel

A1: Install 2x rollers on glass door panel and use allen key to tighten over.

A2: Lifting up exterior glass panel, hanging up to the track of top rail.

A3: Rotate the screws to control the height for glass door.

After adjustment complete, Install Roller cover.

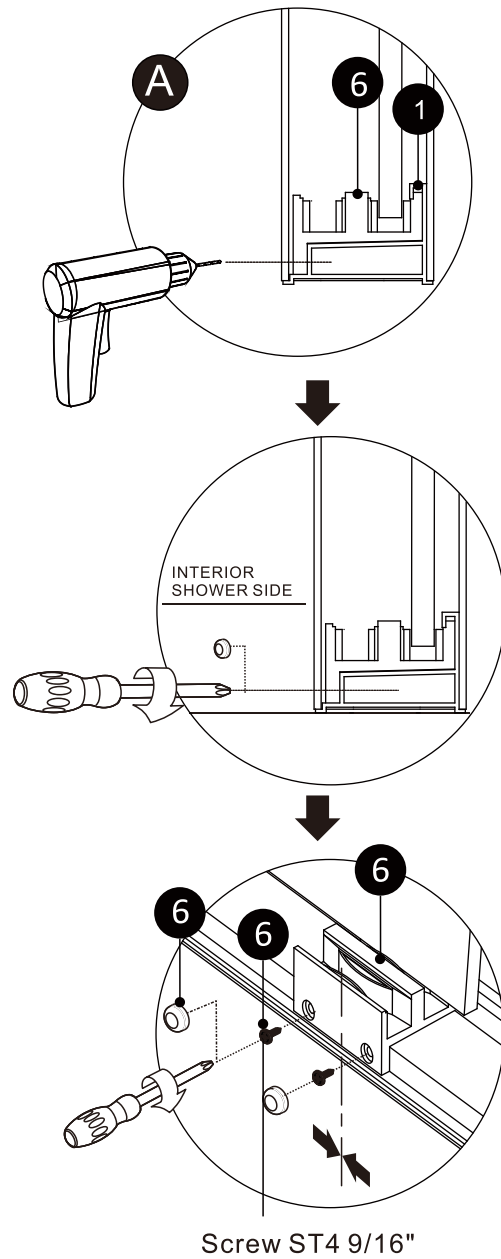
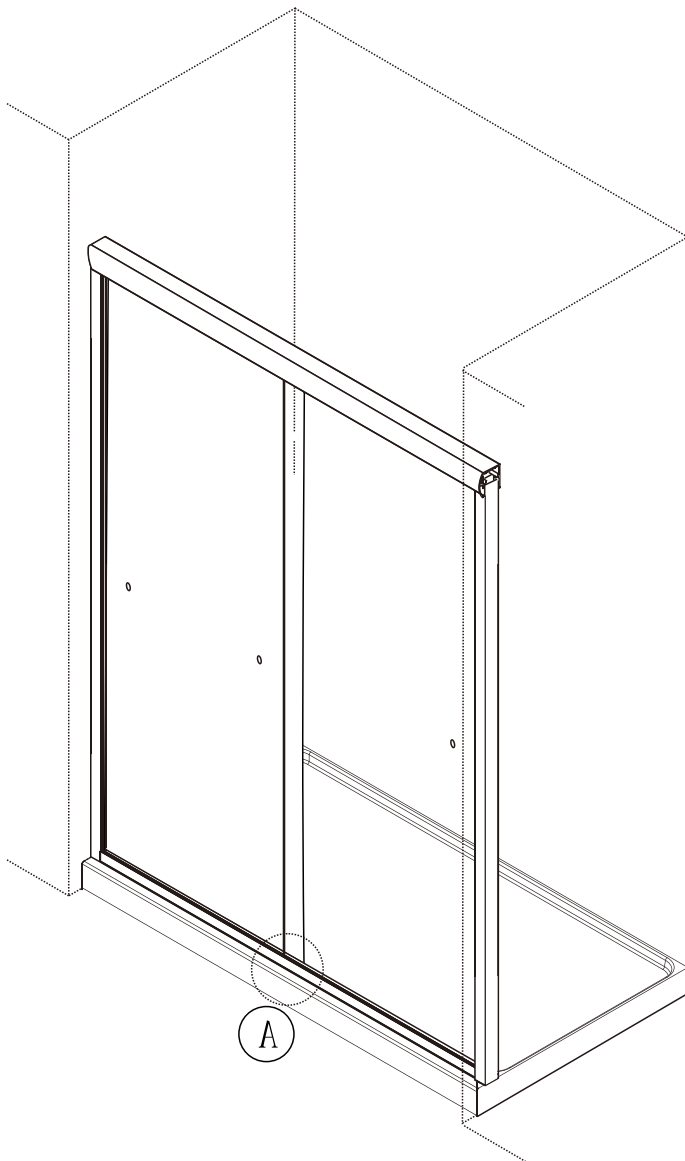


Rotation control height

Clockwise twist represents lift up the glass door panel.
Counterclockwise represents lower down glass panel.

INSTALL BOTTOM CENTER GUIDE

Step A: Install bottom center guide.



INTERIOR DOOR INSTALLATION

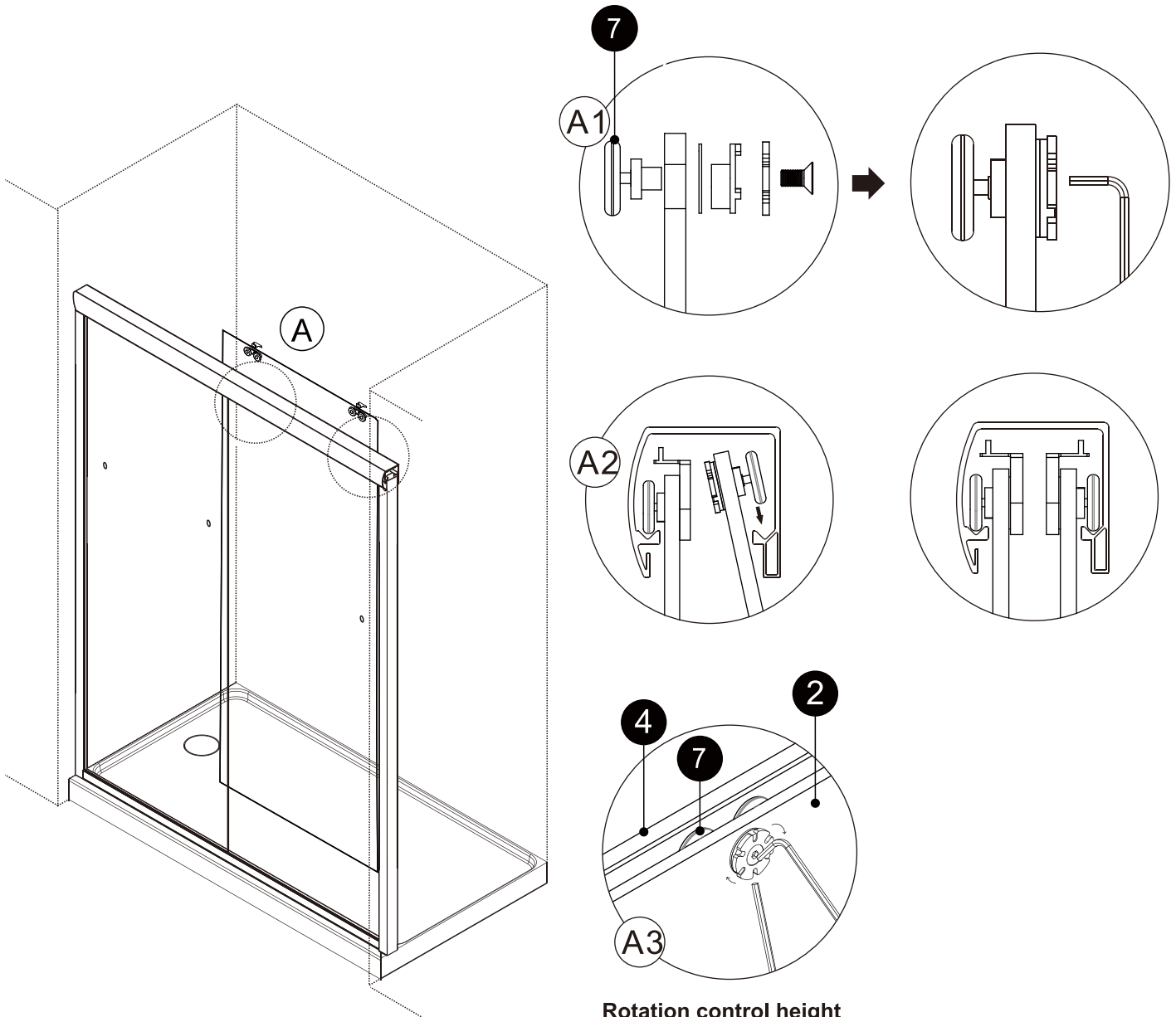
Step A: Install the interior glass door panel

A1: Install 2x rollers on glass door panel and use Allen key to tighten over.

A2: Lifting up interior glass panel, hanging up to the track of top rail.

A3: Rotate the screws to control the height for glass door.

After adjustment complete, Install Roller cover.



Rotation control height

Clockwise twist represents lift up the glass door panel.
Counterclockwise represents lower down glass panel.

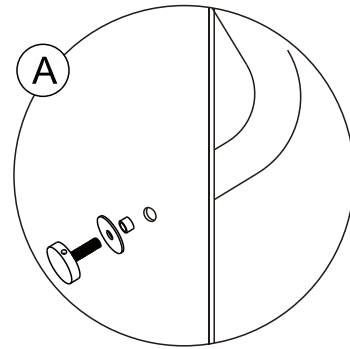
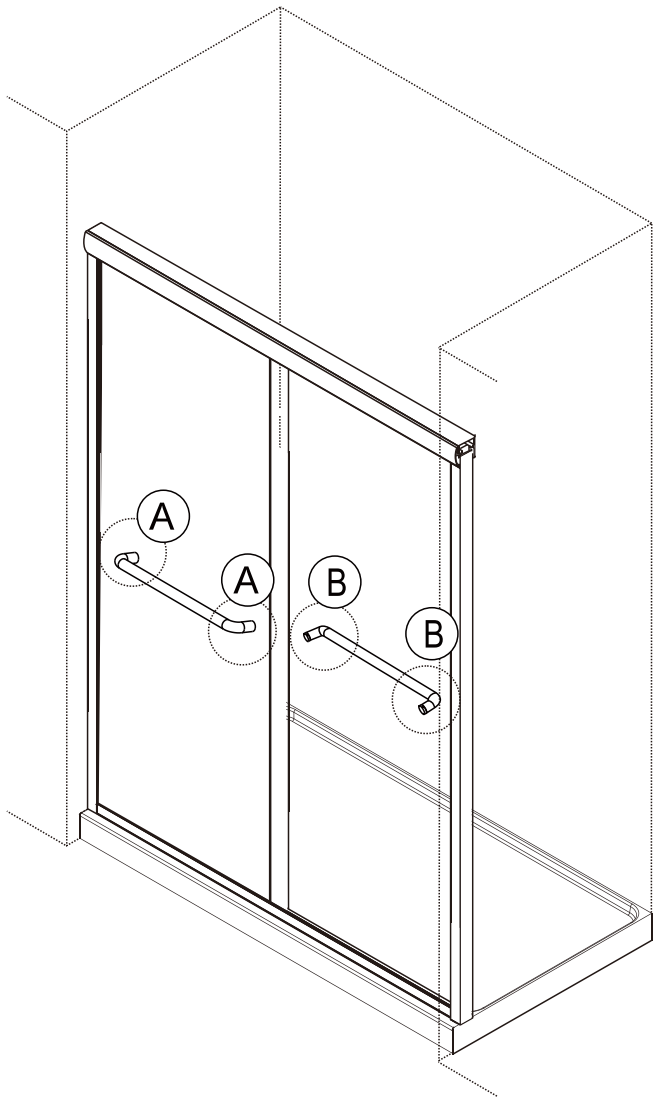
HANDLE INSTALLATION

Step A: Install Towel bar.

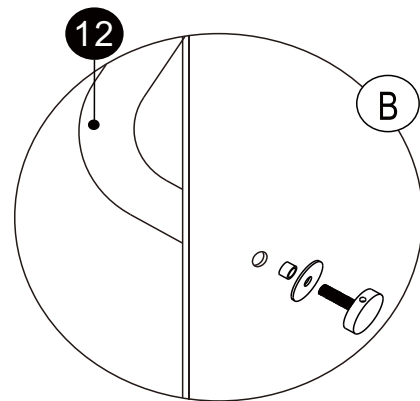
Follow instruction to install towel bar.

Step B: Install Towel bar.

Follow instruction to install towel bar.



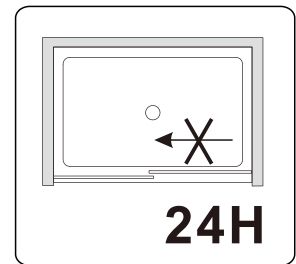
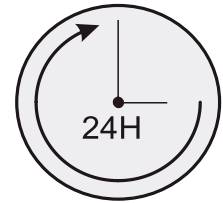
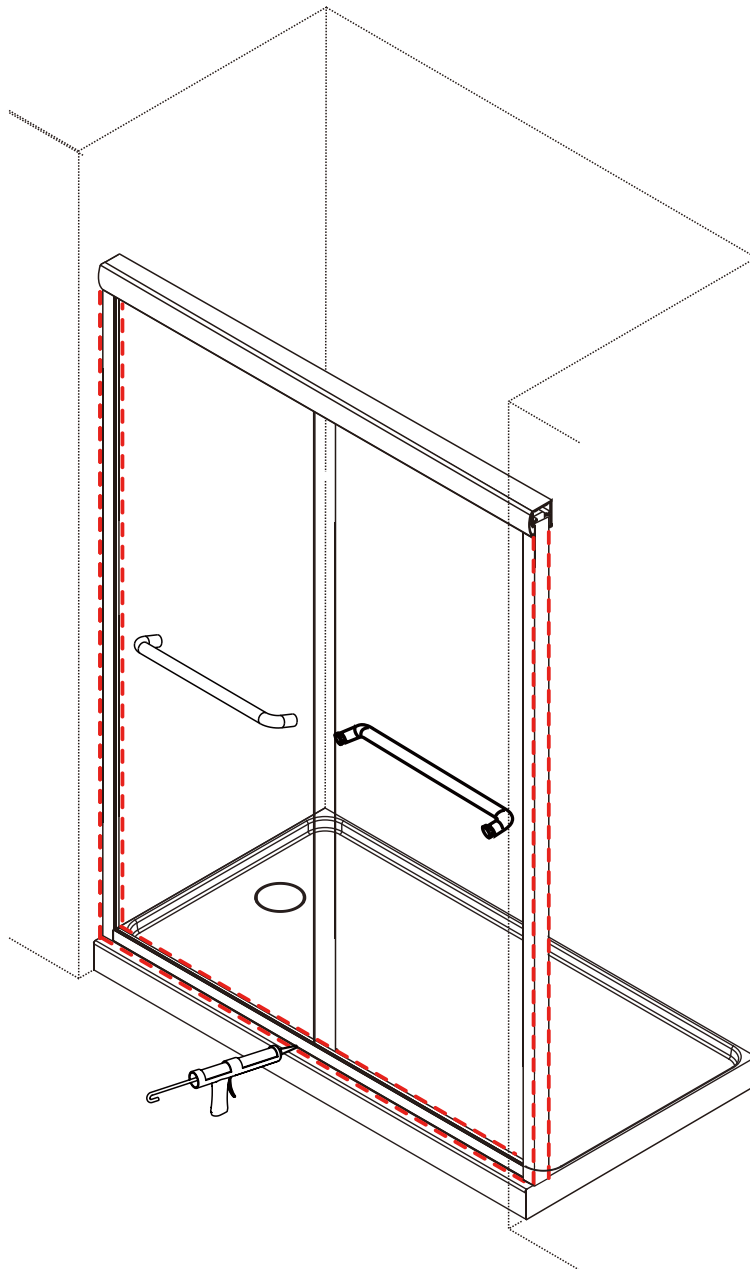
View from inside



View from outside

CAULKING SILICONE

**Step A: Caulking Silicone for both interior and exterior side.
Please wait for 24 hours till the silicone is fully dried.**



FOR YOUR SAFETY, PLEASE OBEY THE FOLLOWINGS!

In order to avoid any safety problems and accidental injuries, please read the "Safety Notices" carefully before using this product. Please refer to the conditions listed below and use this product correctly to avoid accidents.

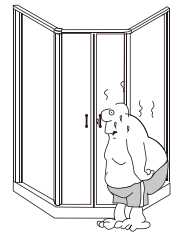
(Highly recommended to keep this manual for future reference)

Below are some examples of risky behavior, please avoid such dangerous behavior.



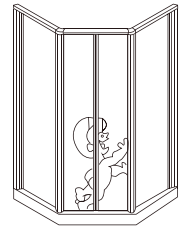
FORBIDDEN

Please do not let the children or the disabled enter the shower room alone, Otherwise they may be hurt.



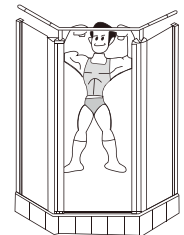
FORBIDDEN

Please do not let children play inside.



FORBIDDEN

Please do not hanging heavy objects.



ATTENTION

Please note, bathroom floors are slippery, please pay attention to the threshold when enter and exit to avoid slipping.

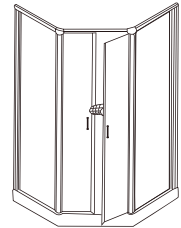


FOR YOUR SAFETY, PLEASE OBEY THE FOLLOWINGS!



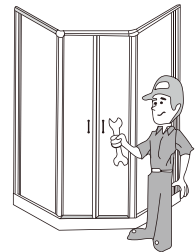
FORBIDDEN

Please do not place your hands between the gaps to prevent crushing.



Caution Points

- To avoid damage, please do not rub or hit the door.
- Worn caulk may cause water leaks, please check and re-caulk promptly.



- The following items may cause physical harm and may damage the shower. Please do not use them in your bathroom.

Acid and alkaline solvents, medicine (e.g hydrochloric acid), acetone thinner, solvents, cleanser, polishers, nylon brooms or sand paper.

