



**FLEXSTONE**<sup>®</sup>  
LUXURIOUS BATH SURROUNDS

## Shower Kit Install Instructions

### Prefer to watch a video?

Our comprehensive installation videos provide easy-to-follow, step-by-step guides to ensure your FlexStone products are fitted perfectly.

Visit <http://FlexstoneProducts.com/installation> to access a walk-through video and other useful installation information.



#### Required Tools



Tape Measure



Caulk Gun



Clamp



Utility Knife



Level



Pencil

#### Helpful Tools



Drill



Compass



Clean Cloth



Paddle Bits  
or Hole Saws



Painter's Tape



Denatured  
Alcohol/Acetone

For missing items do not return to store.

Please call 877-941-3662

(Monday - Friday 8:00 a.m. - 5:00 p.m MT)

# Before Starting Installation



Consult your local building codes with questions on installation compliance standards. Building and plumbing codes may vary by location, and FlexStone Bath Systems is not responsible for code compliance standards for your project.

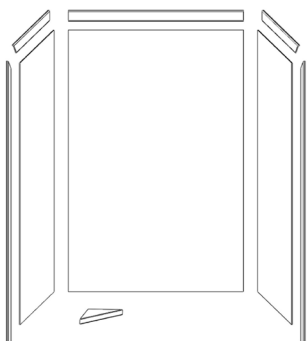
1. The FlexStone wall system is designed to be installed over a solid substrate such as green board, cement board, or other water resistant backers. Substrate should be clean, dry, and free of dust or loose paint. Unless using our Remodel Trim, any existing surround material should be removed.
2. The Remodel Trim (sold separately and individually) allows FlexStone to be used over existing tile. Tile should be in good shape, and wall surfaces should be flat (i.e. remove any accessories that would interfere with the FlexStone panels.) Four pieces of 96" length would replace Items **C**, **D**, **E**, **F**, and **G**. Follow instructions included with Remodel Trim.
3. If installing a new bathtub or shower base prior to FlexStone installation, follow the manufacturer's instructions, and install the tub or base level and square to walls.
4. Turn off the water supply and complete any plumbing modifications prior to installing your FlexStone surround. Leave plumbing handles off until surround is installed. Plan the placement of the shower head such that it is either above the height of the wall panels or at least 2" below the top of the wall panels. This will keep the trim moldings from interfering with the pipe and escutcheon plate. When planning for setting plumbing valves, note that FlexStone wall panels are 1/4" thick.
5. Review Section 6 and decide how the vertical trim moldings will be installed, either outside the shower base, or on top of the base threshold. This will impact the width of the side wall panels **B** in Section 3.

## Locate Correct Model

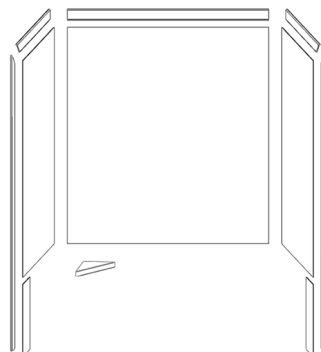
These instructions include 2-wall and 3-wall models. Be sure to follow the instructions matching your shower surround kit.

For install instructions of the following 3-wall models, continue to page 4:

Elegance & Grandeur 3-Wall  
Alcove 3-wall Shower Model

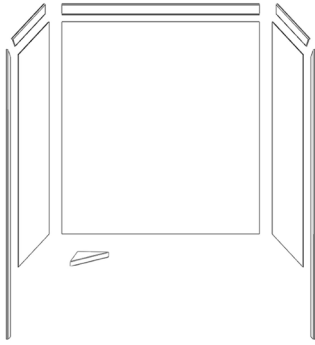


Royale 3-Wall  
Tub/Shower 3-wall Model



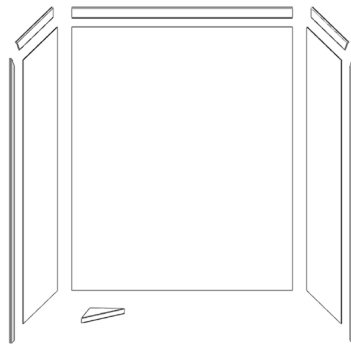
## Elite Tub

Tub Surround 3-wall Model



## Adaptable 3-Wall

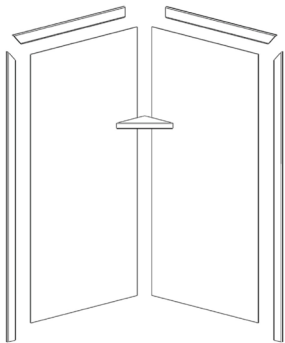
Customizable 3-wall Model



For install instructions of the following 2-wall models, go to page 10:

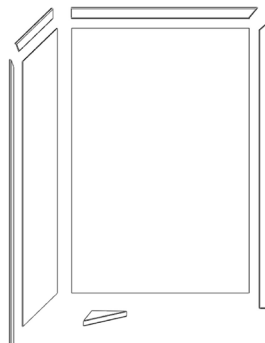
## Splendor 2-Wall

Neo-Angle/Neo-Round Model



## Elegance 2-Wall

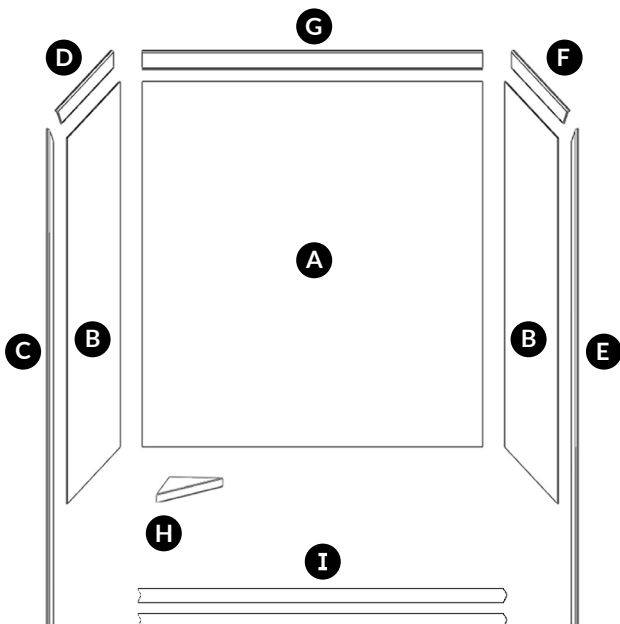
Rectangular 2-wall Model



# 3-Wall Shower Surround Components List

## Elite Series

Tub Surround 3-wall Model: FTSK60326031



Item	Description	Qty
<b>A</b>	Back wall panel	1
<b>B</b>	Side and plumbing wall panel	2
<b>C</b>	Left wall front mitered trim	1
<b>D</b>	Left wall top mitered trim	1
<b>E</b>	Right wall front mitered trim	1
<b>F</b>	Right wall top mitered trim	1
<b>G</b>	Back wall top trim	1
<b>H</b>	Corner shelf with bracket	1
<b>I</b>	Corner flashing tape	2

# Elegance, Grandeur & Adaptable

Elegance Alcove Shower Model: SSK48367831

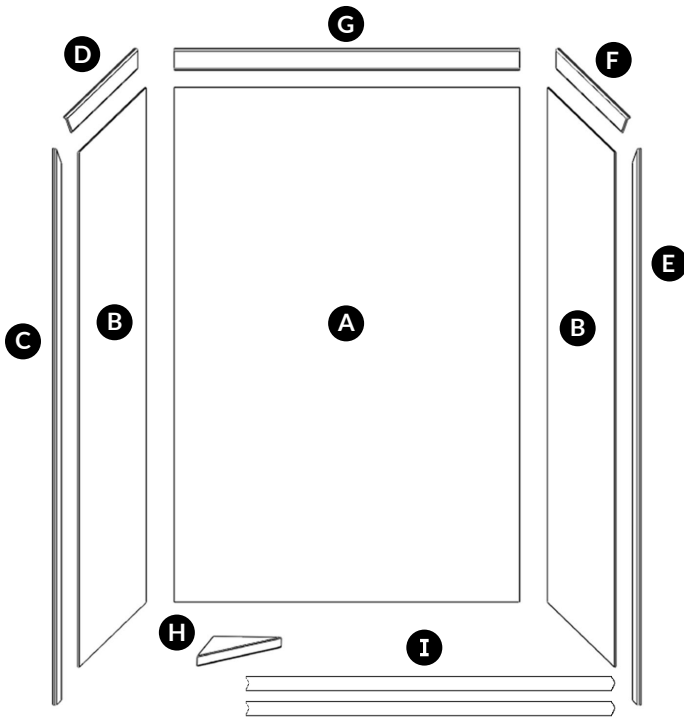
Grandeur Alcove Shower Model: SSK60369631

Adaptable Alcove Shower Model: SSK60607831

# Royale Series

Tub/Shower 3-wall Model: SSK60367831z

(for tubs OR showers)



Item	Description	Qty
<b>A</b>	Back wall panel	1
<b>B</b>	Side and plumbing wall panel	2
<b>C</b>	Left wall front mitered trim	1
<b>D</b>	Left wall top mitered trim	1
<b>E</b>	Right wall front mitered trim	1
<b>F</b>	Right wall top mitered trim	1
<b>G</b>	Back wall top trim	1
<b>H</b>	Corner shelf with bracket	1
<b>I</b>	Corner flashing tape	2

Item	Description	Qty
<b>A</b>	Back wall panel	1
<b>B</b>	Side and plumbing wall panel	2
<b>C</b>	Left wall front mitered trim	1
<b>D</b>	Left wall top mitered trim	1
<b>E</b>	Right wall front mitered trim	1
<b>F</b>	Right wall top mitered trim	1
<b>G</b>	Back wall top trim	1
<b>H</b>	Corner shelf with bracket	1
<b>I</b>	Corner flashing tape	2
<b>J</b>	Tub leg panel (60"W models only)	2

## Installation Kit

Your shower surround kit includes cartridges of adhesive and color-tinted 100% silicone. Refer to section 2B of these instructions for adhesive usage guidelines.

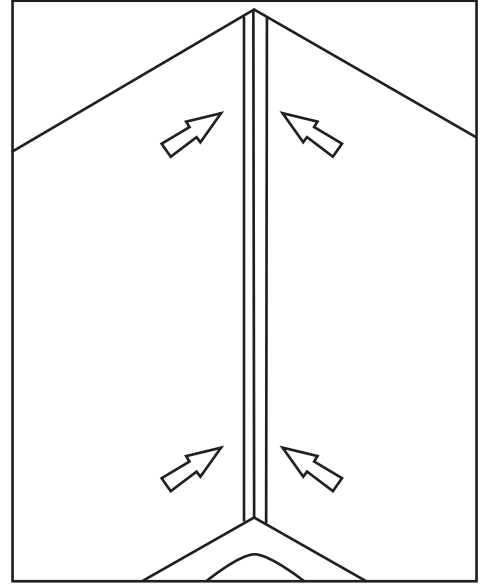


Please inspect packages for damage or missing pieces. Read instructions carefully prior to installation. All FlexStone products come with a protective masking covering the image side of the material. Remove masking if installation is going to be delayed. If you have any questions or issues, please call our customer support – Monday – Friday 8:00 a.m. – 5:00 p.m. MT at 877-941-3662

# 3-Wall Install Instructions

## 1. Installation of Corner Flashing Tape **I**

- A. Corner flashing tape **I** goes behind the panels in the back vertical corners for added leak protection. This tape has been cut to length.
- B. Apply a bead of adhesive **K** or silicone **L** onto both walls about 3/4 inch away from the corner. Fold the flashing tape **I** at the center crease with the print side together, then press the tape into the corner using a taping or putty type blade. Using the same blade, flatten out the tape to create a flat, smooth inside corner. Wipe away any excess adhesive or silicone.



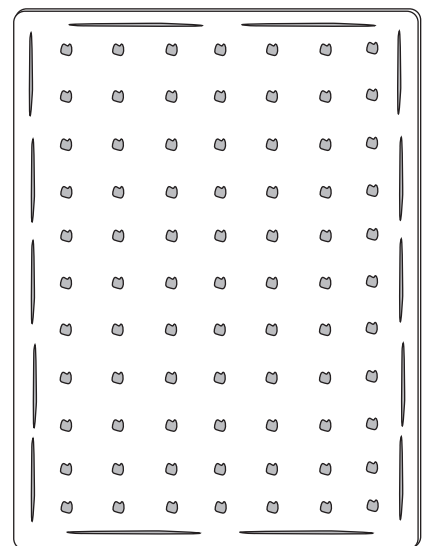
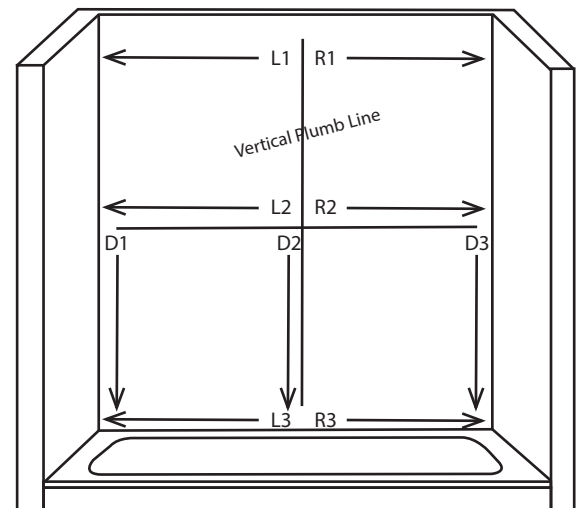
## 2. Installation of Back Wall Panels **A**

**NOTE:** It is not necessary to cut the top edges of panels to be level, as they will be covered by trim moldings.

- A. The back panel **A** must be fit to both the left and right corners, and to the tub or shower base. Keep in mind that walls may not be square or plumb, so you will want to measure width of the alcove at both the bottom and top of the alcove prior to trimming panel. (See TIP on right for a technique for achieving good fit measurements.) Cut the back panel to size with a utility knife, jigsaw, or power plane and dry fit until a tight fit is achieved.

**TIP:** Draw a vertical plumb line directly on the middle of the sheetrock from top to bottom of wall. Now draw a horizontal level line crossing the plumb line about halfway up the wall. Record measurements left from the vertical line to corner at top, middle and bottom (L1, L2, L3), then right from the vertical line to corner (R1, R2, R3.) Now record measurements down from the horizontal line to the tub (D1, D2, D3.) Transfer these measurements to your back wall panel **A**. These 9 measurements will account for out of plumb walls AND out of level tubs!

- B. When satisfied with the fit, peel protective masking back from the edges of the panel (approx. 4") and clean burs from any rough edges. Apply adhesive in lines or dollops to the back of the panel in a pattern every 4 to 6 inches. Use approximately one 10oz tube per 12 square feet following the adhesive directions on the tube. Push the back panel in place, lightly pounding to achieve good bond.





### ADHESIVE USAGE GUIDELINES:

- 3 tubes for back panel **A**
- 1-2 tubes for each side panel **B**
- 1-2 tubes for corner flashing tape **I**, all trim pieces (**C**, **D**, **E**, **F**, **G**) and corner shelf **H**.

## 3. Installation of Wet/Plumbing Wall Panel **B**

A. Hold plumbing wall panel **B** as close to plumbing wall as possible. Scribe and trim the inside edge and bottom edge against the shower base for best fit before measuring, marking, and cutting holes for plumbing fixtures. The depth of the side wall panels **B** can also be trimmed down to fit the opening or your shower base, although how you decide to install vertical trims **C** and **E** will influence the width sizing of side wall panels (see Section 4.)

**NOTE:** You will be able to fine tune your panel to a more accurate fit after the holes are cut and your panel can be firmly pushed into the corner.

B. For each hole to be cut, measure the vertical distance between the center of the plumbing fixture and the shower base. Measure the horizontal distance between the center of the fixture and the installed back wall panel **A**. Mark the center of the fixtures on the face of the plumbing wall panel **B**.

C. Using a drill, make a small pilot hole in marked locations. Using a jigsaw, hole saw, or paddle bit, cut out each hole in the plumbing wall panel to the appropriate size for the particular pipe or fixture. If using a hole saw, turn the panel over and, using the pilot hole, cut from the back side. Make each hole only as large as necessary for access to the plumbing. Cover plates only cover so much!

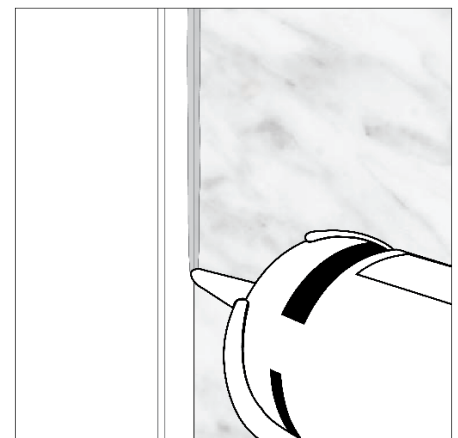
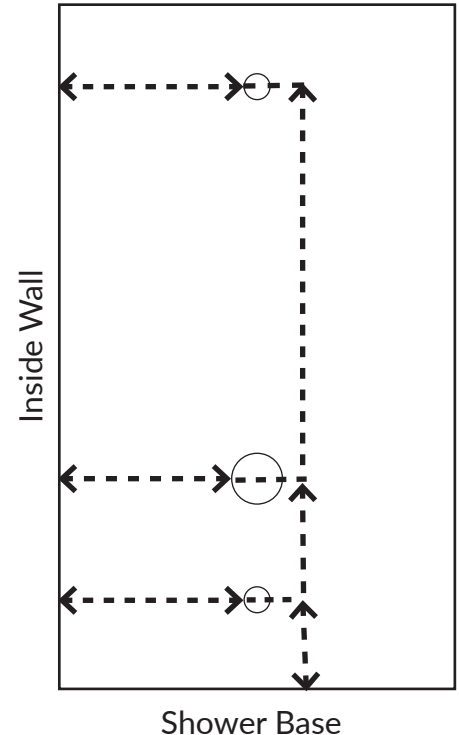
D. With holes drilled so the plumbing wall panel now fits over the plumbing, you can fine tune the fit of the panel into the back corner and against the shower base from step 3.A.

E. Prior to adhering the plumbing wall panel, seal the back panel **A** to the corner flashing tape **I** using a small bead of Performance Pro 100% Silicone **L**.

F. Follow Step 2.B and adhere the plumbing wall panel **B**, but also form a bead of adhesive on the back around each plumbing hole.

## 4. Installation of Opposite Side Wall Panel **B**

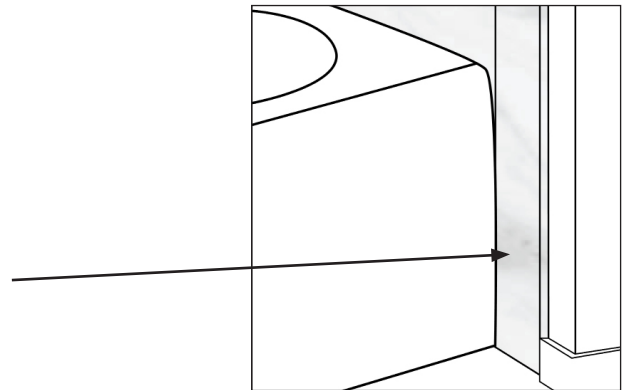
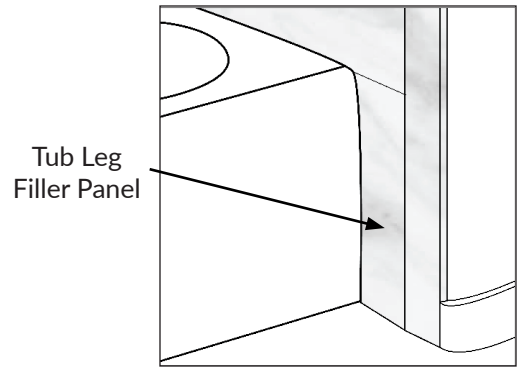
A. Use same procedures as in steps 3.A-3.F except that no holes will be drilled in this panel. Dry fit first, and then apply silicone **L** to seal the corner. Apply adhesive **K** as you did on the plumbing wall panel **B**.



## 5. Installation of Tub Leg Filler Panels **J**

A. Tub leg filler panels **J** are installed from the floor to the bottom of the side walls next to the skirt of the tub, only when the side walls extend beyond the tub. First trim the height to fit from floor to the bottom of the side wall panel **B**. For a professional look, filler panel should match the contour of the tub. You can scribe the contour with a compass, or by hand, and cut with a jig saw or utility knife. Next, trim the outside edge of the tub leg filler panel **J** to align with the outside edge of the side wall panel **B**. Place a very fine bead of silicone **L** along the top edge of the filler panel to seal it to the bottom edge of the side wall panel **B**, then adhere filler panel **J** as in Step 2.B.

**NOTE:** For alcoves that are only 1-2" larger front to back than the tub, the tub leg filler panels **J** will not be needed, and the vertical trim molding (**C** or **E**) can be contour-cut to fit right up against the tub.



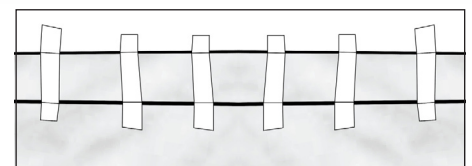
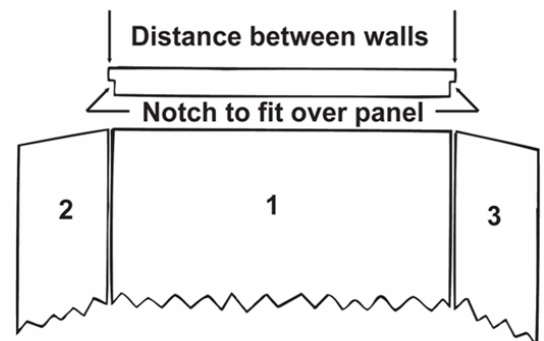
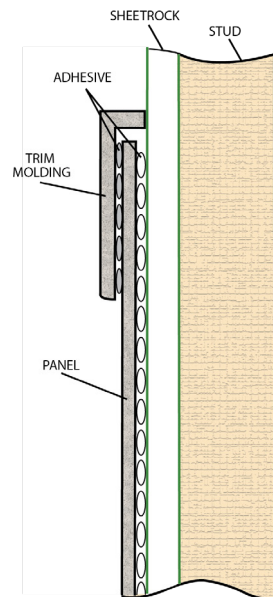
## 6. Installation of Back Wall Top Trim **G**

**NOTE:** Trim moldings are shaped like an "L", and the long leg is designed to overlap panels, with the short leg returning back to the sheetrock and hiding the panel edge. Be sure to peel protective masking back from the edges of the panels before adhering the trim moldings.

A. Note the height of the shower head. Decide if top trims **D**, **F**, **G**, will be installed above or below shower head/escutcheon, keeping in mind that trims can overlap panels from ½" to 2-1/2". Mark a level line at desired height at the top of the back wall trim **G** on the back wall (above the back wall panel **A**).

B. Measure the distance from plumbing wall to opposite wall (sheetrock to sheetrock, NOT FlexStone to FlexStone). Cut the back wall trim **G** to this measurement, then cut a notch ¼" wide in both ends. This will enable the trim to overlap the back wall panel **A** and fit over the end panels eliminating any large gaps or holes in the corners.

C. Dry fit the back wall trim **G** and make sure it fits properly in a level position. Peel away protective masking from the trim, apply adhesive to the back of the trim molding, and adhere it over the back wall panel **A**. Secure the trim piece in place while the adhesive cures using paint-safe masking tape. Or, apply two one-inch strips of double-sided tape to the back side of the trim along with adhesive.



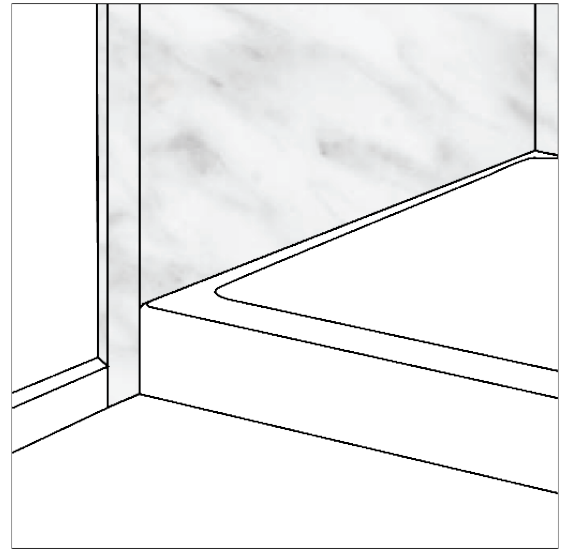
## 7. Installation of Side Wall Trims with Shower Base **C** **D** **E** **F**



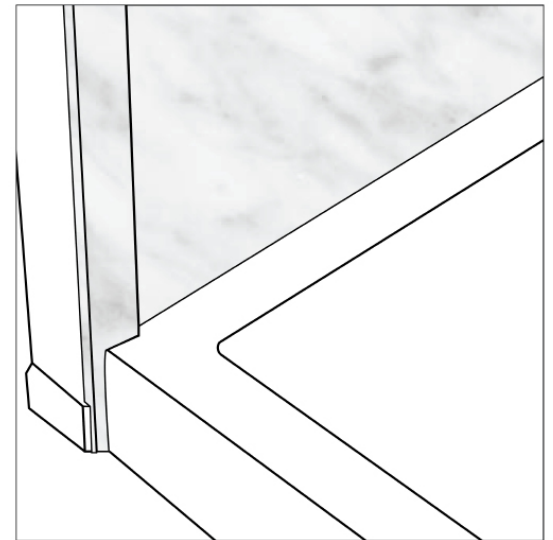
This step is only for installing side wall trims with a shower base. If you are installing side wall trims with a tub, proceed to step 8 on page 9.

**NOTE:** Vertical trim moldings are designed to be installed either: 1) resting on top of the shower base threshold, or 2) outside the threshold and running down to the floor. Depending on the size of your alcove opening, you may even choose to contour cut the trim moldings to overlap the threshold partially.

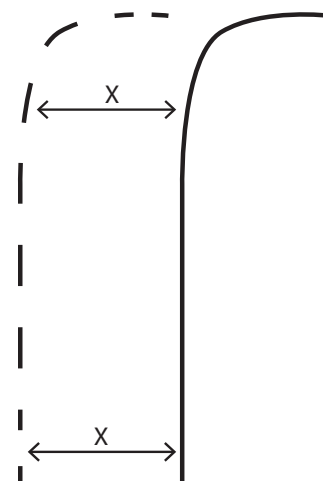
- A. Place horizontal left wall top mitered trim **D** in place, push into the corner against back wall trim piece **G**, then level it. Mark a level line on the wall on the top side of the molding near the outer end. Set aside this trim piece.
- B. Measure from the floor to the level mark made in 7.A to determine the length needed for the vertical trim piece **C**. Cut vertical trim piece to this length, but do not cut from the pre-mitered end!
- C. Fit vertical trim piece over panel and plumb using a level. If contour cutting this molding to match the shower base shape, do so now. You can scribe the contour with a compass, or by hand, and cut with a jig saw or utility knife. For tub installations, the back side of the molding will not be supported by panel material in the contour cut region outside the tub. Use a piece of cutoff scrap as a filler behind this area of the molding. Peel away protective masking from the trim, apply adhesive and adhere molding to panel. Secure with masking tape as in Step 6.C.
- D. Measure horizontal distance from back wall molding to the tip of miter on the vertical molding. Cut the horizontal top trim molding **D** to this dimension by cutting off the end opposite the miter. Be sure not to cut the mitered end.
- E. Dry fit the molding in place for a tight fit. Peel away protective masking from the trim, apply adhesive on the backside of the molding and adhere to the wall as before. Make any minor adjustments necessary to ensure that the mitered end makes a tight joint.
- F. Repeat 7.A-7.E for the opposite wall trims (**E**, **F**).



Vertical trims installed outside shower base



Vertical trims contour cut to overlap threshold



## 8. Installation of Side Wall Trims with Tub

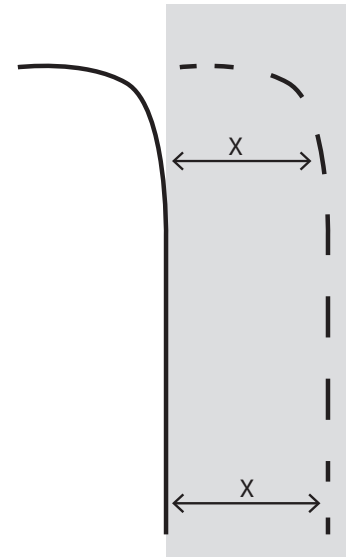
### C D E F

**NOTE:** Vertical trim moldings are designed to be installed just outside the tub, running down to the floor, and contour cut to match the tub front shape. Optionally, trims can be cut short to rest on top of the tub.

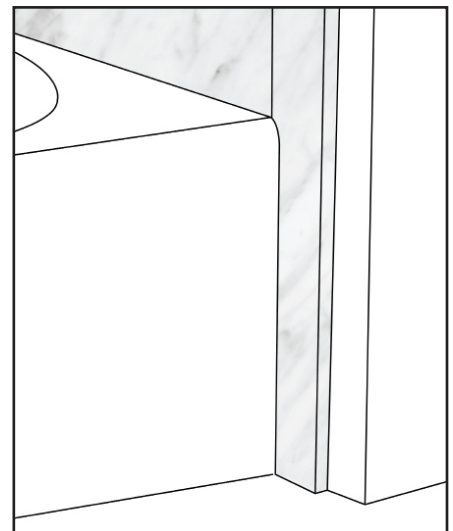
- A. Place horizontal left wall top mitered trim **D** in place, push into the corner against back wall trim piece **G**, then level it. Mark a level line on the wall on the top side of the molding near the outer end. Set aside this trim piece.
- B. Measure from the floor to the level mark made in 6.A to determine the length needed for the vertical trim piece. **C** Cut vertical trim piece to this length, but do not cut from the pre-mitered end!
- C. Fit vertical trim piece over panel and plumb using a level. If contour cutting this molding to match the tub shape, do so now. You can scribe the contour with a compass, or by hand, and cut with a jig saw or utility knife. For tub installations, the back side of the molding will not be supported by panel material in the contour cut region outside the tub. Use a piece of cutoff scrap as a filler behind this area of the molding. Peel away protective masking from the trim, apply adhesive and adhere molding to panel. Secure with masking tape as in Step 5.C.
- D. Measure horizontal distance from back wall molding piece to the tip of miter on the vertical molding. Cut the horizontal top trim molding **D** to this dimension by cutting off the end opposite the miter. Be sure not to cut the mitered end.
- E. Dry fit the molding in place for a tight fit. Peel away protective masking from the trim, apply adhesive on the backside of the molding and adhere to the wall as before. Make any minor adjustments necessary to ensure that the mitered end makes a tight joint.
- F. Repeat 6.A-6.E for the opposite wall trims (**E**, **F**).



Vertical trims installed to top of tub



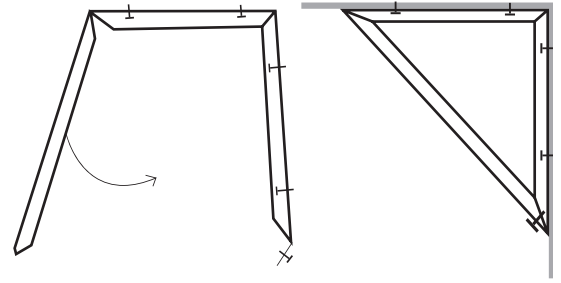
Contour cutting the trim molding to match the tub shape gives a professional look



Vertical trim installed outside tub, and contour cut to match tub shape

## 9. Installation of Corner Shelf **H**

**NOTE:** Corner shelf includes a folding-triangle metal bracket with screw holes which is designed to mount directly to the FlexStone wall panels. Be sure to peel away protective masking from the installation area before securing the bracket.

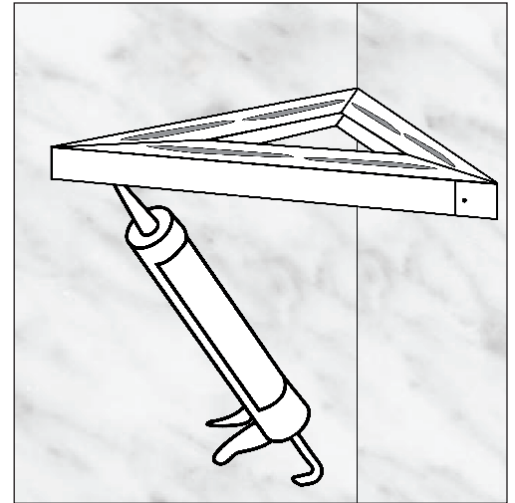


A. Position corner shelf bracket in desired corner at desired height. Use a level to mark level lines in pencil. Adjust the alignment to include a slight forward slope for water runoff.

B. Using the enclosed stainless steel screws, fasten each side of the bracket through the FlexStone panels and the sheetrock.

C. Fold bracket and complete triangle by bending the tab over to secure bracket. Dry fit the corner shelf material over the bracket. If corner is out of square, trim one side of shelf to achieve a tight fit.

D. Clean the inside of the Flexstone shelf so it is dust free, then apply adhesive or silicone to the inside of the shelf where it will meet the bracket. Gently spread the shelf over the bracket and nestle it into place. Remove protective masking, then apply silicone to all edges where the shelf meets the wall panels.

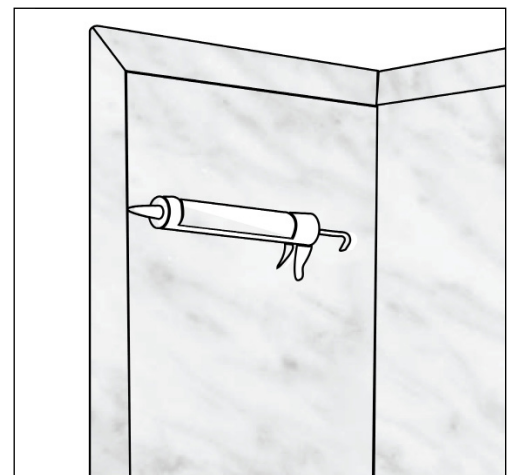
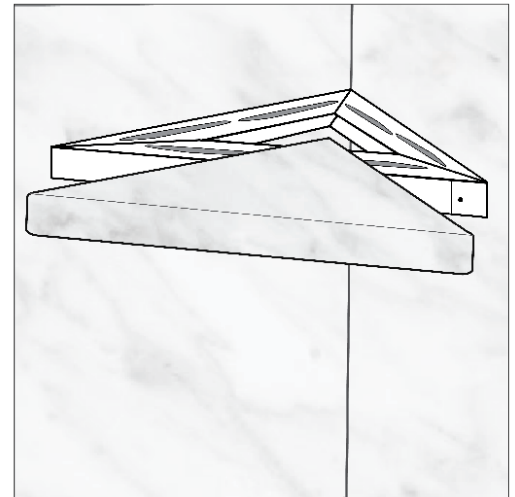


## 10. Sealing with Silicone **L**

A. If you desire to paint the walls now or in the future, use paintable latex caulk where trim moldings meet sheetrock. Use wet finger or caulk tool to shape the latex caulk to a nice finish.

B. Using denatured alcohol or acetone, clean and prime all joints in the surround, including vertical and horizontal joints where panel meets tub, panel meets panel, or trim meets panel. Clean any oils, greases, or adhesive residues from these joints.

C. Seal all joints in your surround with 100% silicone **L**. Our installation kit has color-matched translucent silicone, tinted to complement your selected FlexStone color. Apply a fine bead of silicone to all joints. Use wet finger or caulk tool to shape the silicone to a nice finish. Follow any directions on sealant tube.



PLEASE WAIT 24 HOURS BEFORE INSTALLING FINISH PLUMBING OR USING YOUR NEW TUB/SHOWER SURROUND. REMOVE REMAINING PROTECTIVE MASKING PRIOR TO USE.

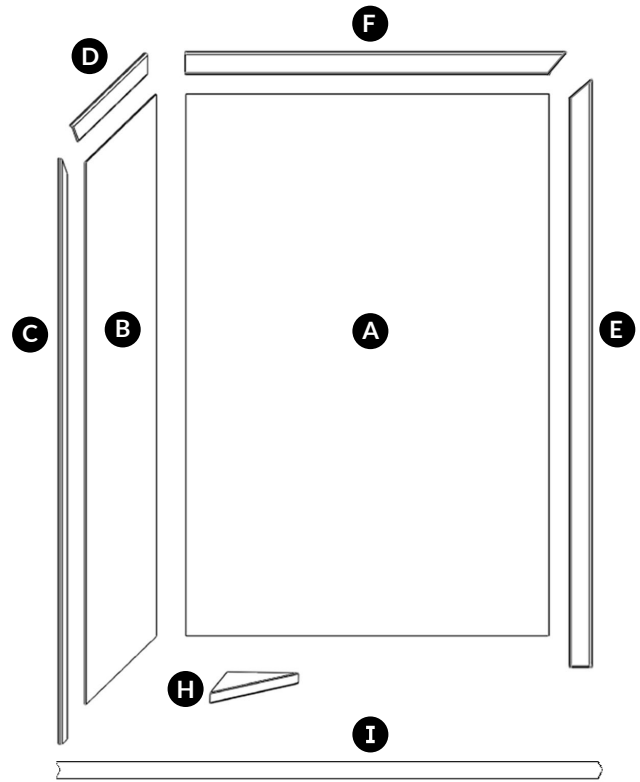
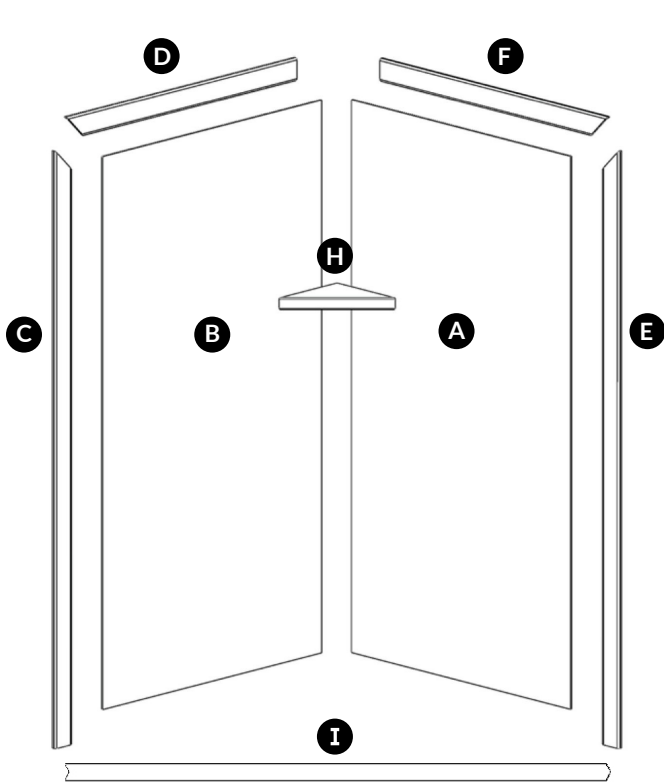
# 2-wall Shower Surround Components List

## Splendor Series

Neo-Angle/Neo-Round Models: SSK40407821

## Elegance Series

Rectangular 2-wall Models: SSK48367821

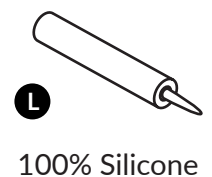


Item	Description	Qty
<b>A</b>	Back wall panel	1
<b>B</b>	Plumbing wall panel	1
<b>C</b>	Left wall front mitered trim	1
<b>D</b>	Left wall top mitered trim	1
<b>E</b>	Right wall front mitered trim	1
<b>F</b>	Right wall top mitered trim	1
<b>H</b>	Corner shelf with bracket	1
<b>I</b>	Corner flashing tape	1

Item	Description	Qty
<b>A</b>	Back wall panel	1
<b>B</b>	Plumbing wall panel	1
<b>C</b>	Left wall front mitered trim	1
<b>D</b>	Left wall top mitered trim	1
<b>E</b>	Right wall front mitered trim	1
<b>F</b>	Right wall top mitered trim	1
<b>H</b>	Corner shelf with bracket	1
<b>I</b>	Corner flashing tape	1

## Installation Kit

Your shower surround kit includes cartridges of adhesive and color-tinted 100% silicone. Refer to section 2B of these instructions for adhesive usage guidelines.



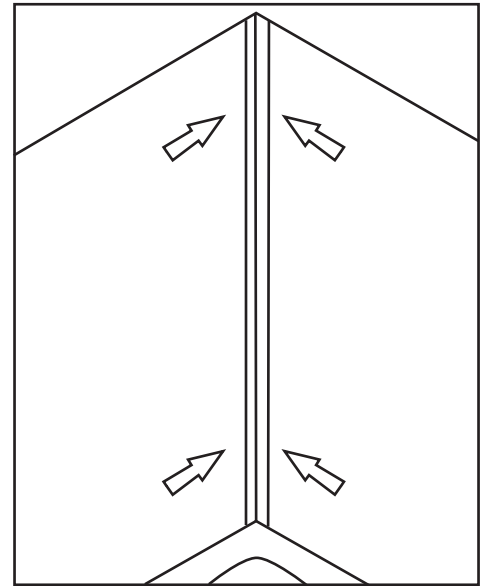
Please inspect packages for damage or missing pieces. Read instructions carefully prior to installation. All FlexStone products come with a protective masking covering the image side of the material. Remove masking if installation is going to be delayed. If you have any questions or issues, please call our customer support – Monday – Friday 8:00 a.m. – 5:00 p.m. MT at 877-941-3662

# 2-Wall Install Instructions

## 1. Installation of Corner Flashing Tape **I**

A. Corner flashing tape goes behind the panels in the back vertical corners for added leak protection. The flashing tape has been cut to length.

B. Apply a bead of adhesive or silicone onto both walls about 3/4 inch away from the corner. Fold the flashing tape at the center crease with the print side together, then press the tape into the corner using a taping or putty type blade. Using the same blade, flatten out the tape to create a flat, smooth inside corner. Wipe away any excess adhesive.

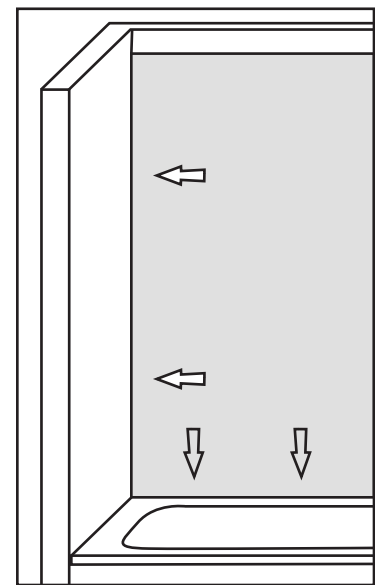


## 2. Installation of Back Wall Panel **A**

**NOTE:** It is not necessary to cut the top edges of panels to be level, as they will be covered by trim moldings. For right-hand plumbing wall installs, reverse Panels **A** and **B** in these instructions.

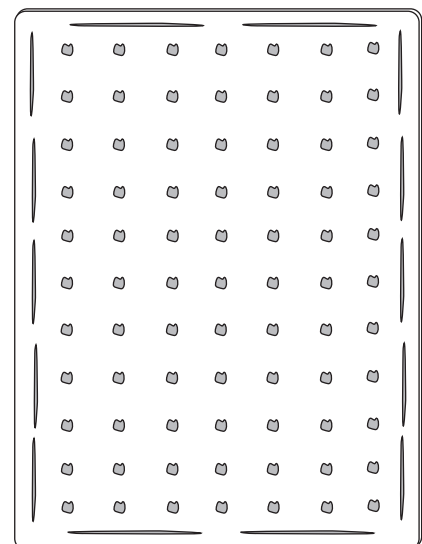
A. Each wall panel should be fit to the back corner, and to the shower base. This may usually be done by cutting either the vertical corner edge, or the edge that rests on the base. In some circumstances you will need to trim both to achieve a tight fit. Cut the back panel **A** to size with a utility knife, jigsaw, or power plane and dry fit until a tight fit is achieved.

B. When satisfied with the fit, peel protective masking back from the edges of the panel (approx. 4") and clean burrs from any rough edges. Apply adhesive in lines or dollops to the back of the panel in a pattern every 4 to 6 inches. Use approximately one 10oz tube per 12 square feet following the adhesive directions on the tube. Push the panel in place, lightly



## 3. Installation of Wet/Plumbing Wall Panel **B**

A. Hold plumbing wall panel **B** as close to plumbing wall as possible. Scribe and trim the inside edge and bottom edge against the shower base for best fit before measuring, marking, and cutting holes for plumbing fixtures. The depth of the side wall panels can also be trimmed down to fit the opening or your shower base, although how you decide to install vertical trims **C** and **E** will influence the width sizing of side wall panels (see Section 4.)



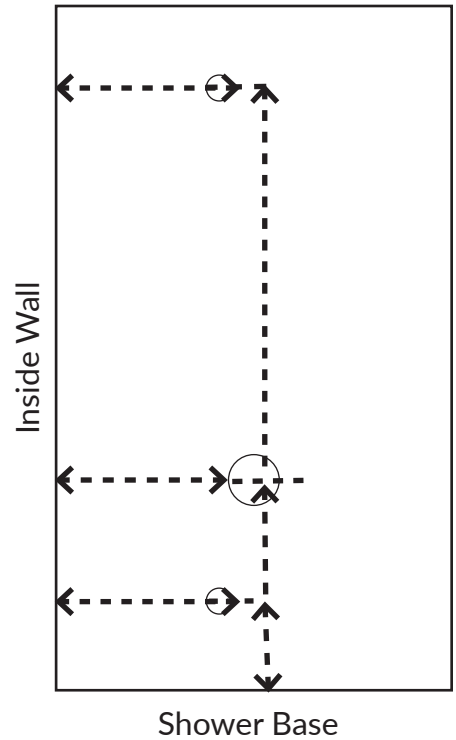
B. For each hole to be cut, measure the vertical distance between the center of the plumbing fixture and the shower base. Measure the horizontal distance between the center of the fixture and the installed back wall panel. Mark the center of the fixtures on the face of the plumbing wall panel **B**.

C. Using a drill, make a small pilot hole in marked locations. Using a jigsaw, hole saw, or paddle bit cut out each hole in the panel to the appropriate size for the particular pipe or fixture. Make each hole only as large as necessary for access to the plumbing. Cover plates only cover so much!

D. With holes drilled so the panel now fits over the plumbing, you can fine tune the fit of the panel into the back corner and against the shower base from step 3.A.

E. Prior to adhering the plumbing wall panel, seal the back panel A to the corner flashing tape using a small bead of Performance Pro 100% Silicone.

F. Follow Step 2.B and adhere the side panel, but also form a bead of adhesive on the back around each plumbing hole.

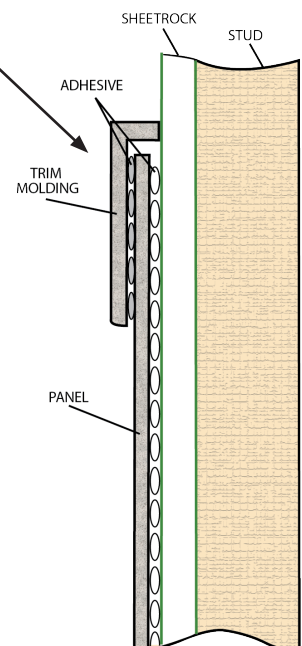
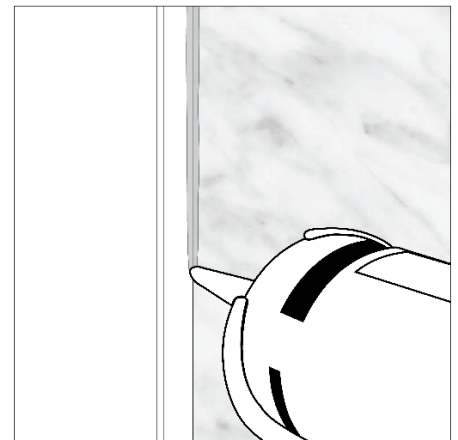


#### 4. Installation of Side Wall Trims **C D E F**

**NOTE:** Trim moldings are shaped like an “L”, and the long leg is designed to overlap panels, with the short leg returning back to the sheetrock and hiding the panel edge. Be sure to peel protective masking back from the edges of the panels before adhering the trim moldings.

**NOTE:** Vertical trim moldings are designed to be installed either: 1) resting on top of the shower base threshold, or 2) outside the threshold and running down to the floor. Depending on the size of your opening, you may even choose to contour cut the trim moldings to overlap the threshold partially.

A. Note the height of the shower head. Decide if top trims will be installed above or below shower head/escutcheon, keeping in mind that trims can overlap panels from 1/2” to 2-1/2”. Mark a level line at desired height on the back wall (above the back wall panel **A**) for the top of the trim **F** to align with.



B. Place horizontal left wall top mitered trim **D** in place above the plumbing wall panel **B**, push into the corner against back wall panel **A**, then level it. Mark a level line on the plumbing wall on the top side of the trim molding near the outer end. Set aside this trim piece.

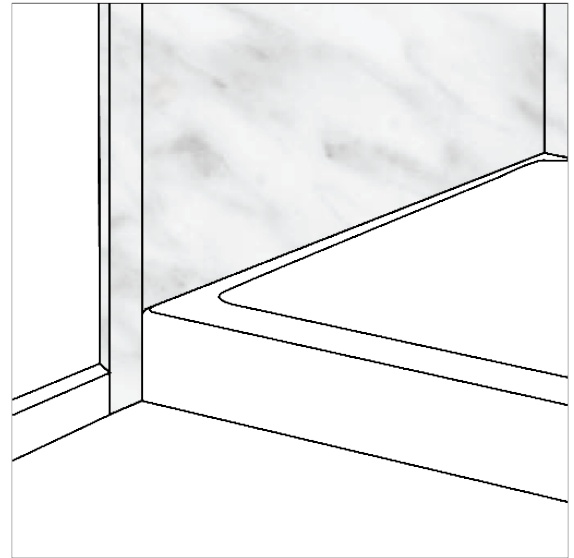
C. Measure from the floor to the level mark made in 4.B to determine the length needed for the vertical trim molding piece **C**. Cut vertical trim molding piece to this length, but do not cut from the pre-mitered end!

D. Fit vertical trim piece over panel and plumb using a level. If contour cutting this trim molding to match the shower base shape, do so now. You can scribe the contour with a compass, or by hand, and cut with a jig saw or utility knife. Peel away protective masking from the trim, apply adhesive to the back of the trim molding, and adhere it over the plumbing wall panel **B**. Secure the trim piece in place while the adhesive cures using paint-safe masking tape. Or, use two one-inch stripes of double-sided tape on the back side of the trim along with adhesive.

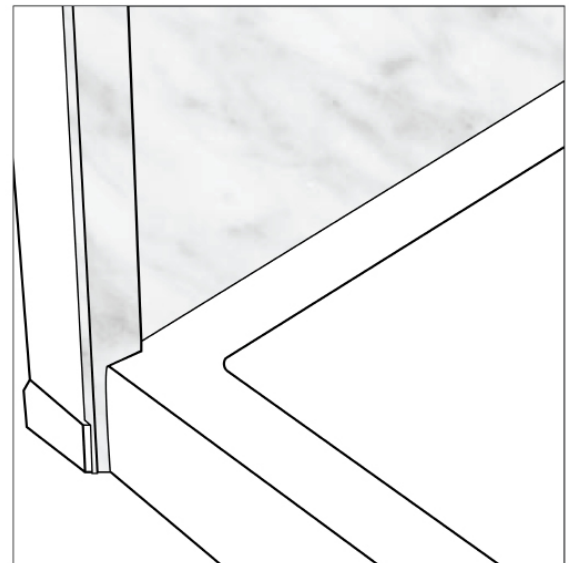
E. Measure horizontal distance from back wall panel to the tip of miter on the vertical molding. Cut horizontal top trim molding **D** to this dimension by cutting off the end opposite the miter. Be sure not to cut the mitered end.

F. Dry fit the trim molding in place for a tight fit. Peel away protective masking from the trim, apply adhesive on the backside of the molding and adhere to the wall as before. Make any minor adjustments necessary to ensure that the mitered end makes a tight joint.

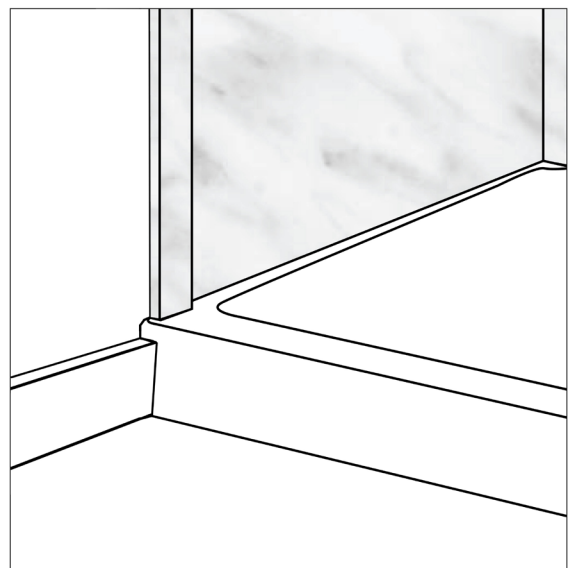
G. Repeat 4.B-4.F for the opposite wall trims (**E**, **F**).



Vertical trims installed outside shower base



Vertical trims contour cut to overlap threshold



Vertical trims installed on top of shower base

## 5. Installation of Corner Shelf **H**

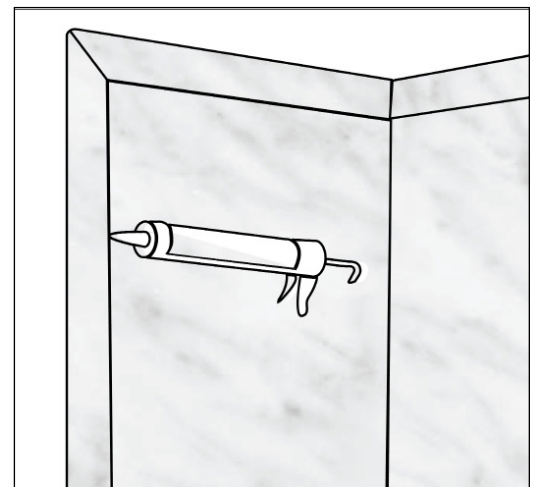
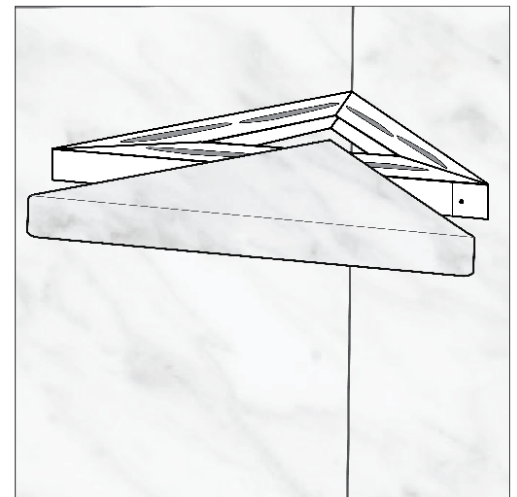
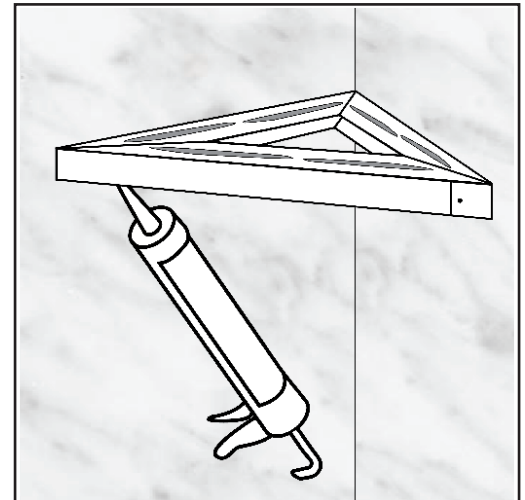
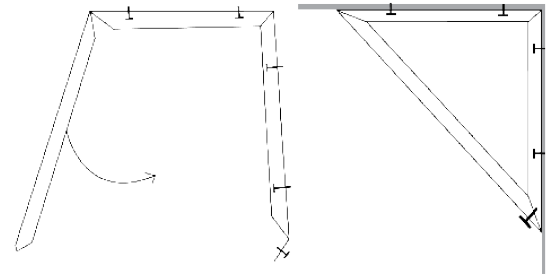
**NOTE:** Corner shelf includes a folding-triangle metal bracket with screw holes which is designed to mount directly to the FlexStone wall panels. Be sure to peel away protective masking from the installation area before securing the bracket.

A. Position corner shelf bracket in desired corner at desired height. Use a level to mark level lines in pencil. Adjust the alignment to include a slight forward slope for water runoff.

B. Using the enclosed stainless steel screws, fasten each side of the bracket through the FlexStone panels and the sheetrock.

C. Fold bracket and complete triangle by bending the tab over to secure bracket. Dry fit the corner shelf material over the bracket. If corner is out of square, trim one side of shelf to achieve a tight fit.

D. Clean the inside of the Flexstone shelf so it is dust free, then apply adhesive or silicone to the inside of the shelf where it will meet the bracket. Gently spread the shelf over the bracket and nestle it into place. Remove protective masking, then apply silicone to all edges where the shelf meets the wall panels.



## 6. Sealing with Silicone **L**

A. If you desire to paint the walls now or in the future, use paintable latex caulk where trim moldings meet sheetrock. Use wet finger or caulk tool to shape the latex caulk to a nice finish.

B. Using denatured alcohol or acetone, clean and prime all joints in the surround, including vertical and horizontal joints where panel meets tub, panel meets panel, or trim meets panel. Clean any oils, greases, or adhesive residues from these joints.

C. Seal all joints in your surround with 100% silicone **L**. Our installation kit has color-matched translucent silicone, tinted to complement your selected FlexStone color. Apply a fine bead of silicone to all joints. Use wet finger or caulk tool to shape the silicone to a nice finish. Follow any directions on sealant tube.



PLEASE WAIT 24 HOURS BEFORE INSTALLING FINISH PLUMBING OR USING YOUR NEW TUB/SHOWER SURROUND. REMOVE REMAINING PROTECTIVE MASKING PRIOR TO USE.

# Shower Base Threshold Template

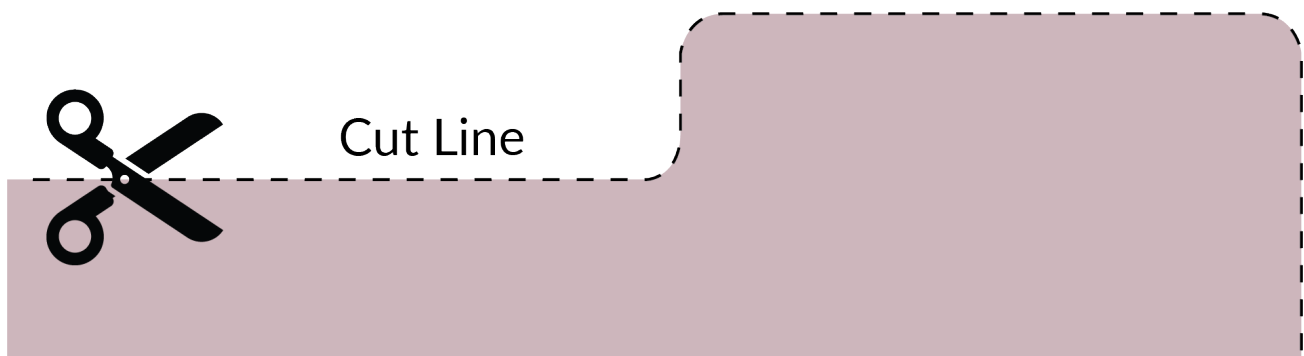
Use this template to scribe the bottom of the FlexStone side wall panels before cutting to achieve a tight fit around the threshold of the shower base.

1. Cut paper template along the dotted line.
2. Place paper template on the bottom of the side wall panel where you plan to cut the panel for the threshold.
3. Using a marker, mark the panel according to the template.
4. Cut the panel along the marked line.



FLEXSTONE WALL PANELS  
ARE ¼ IN. THICK.

Wall Panel



**IMPORTANT:** Shower base dimensions may vary slightly from base to base. Make sure the paper template matches the contour of your shower base threshold before cutting the wall panel. Fine tuning of the cut may be necessary for a proper fit.