

TOOLS:



UNIT:MM

1

2

3

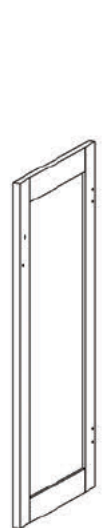
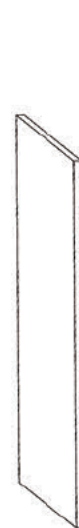
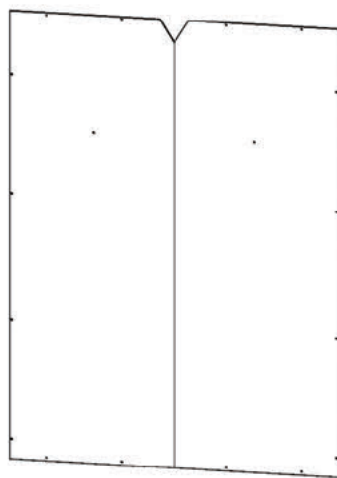
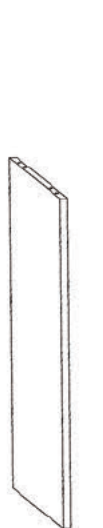
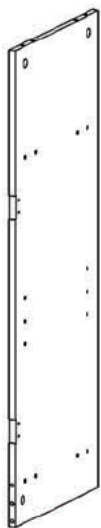
4

5

6

7

8



UNIT:MM

9

10

11

× 3

12

× 3

13

× 3

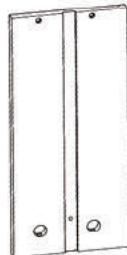
14

× 3

15

× 3

16



UNIT:MM

A

× 30

B

× 30

C

× 6

D

× 6

E

× 21

F

× 16

G

× 4

H

× 2

J

× 4



M6 × 35



φ 15 × 10



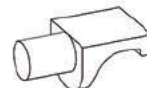
M4 × 10



φ 6 × 30



M4 × 35



UNIT:MM

(K) X 4

(L) X 21

(M) X 18

(N)

(O) X 2

(P)

(Q)

(R)

(S)

(T) X 4

(U) X 4



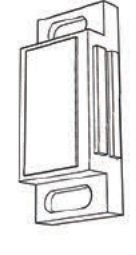
M4 x 14



M3 x 10



M2.5 x 10



M2.5 x 14



φ 6 x 30



M4 x 12

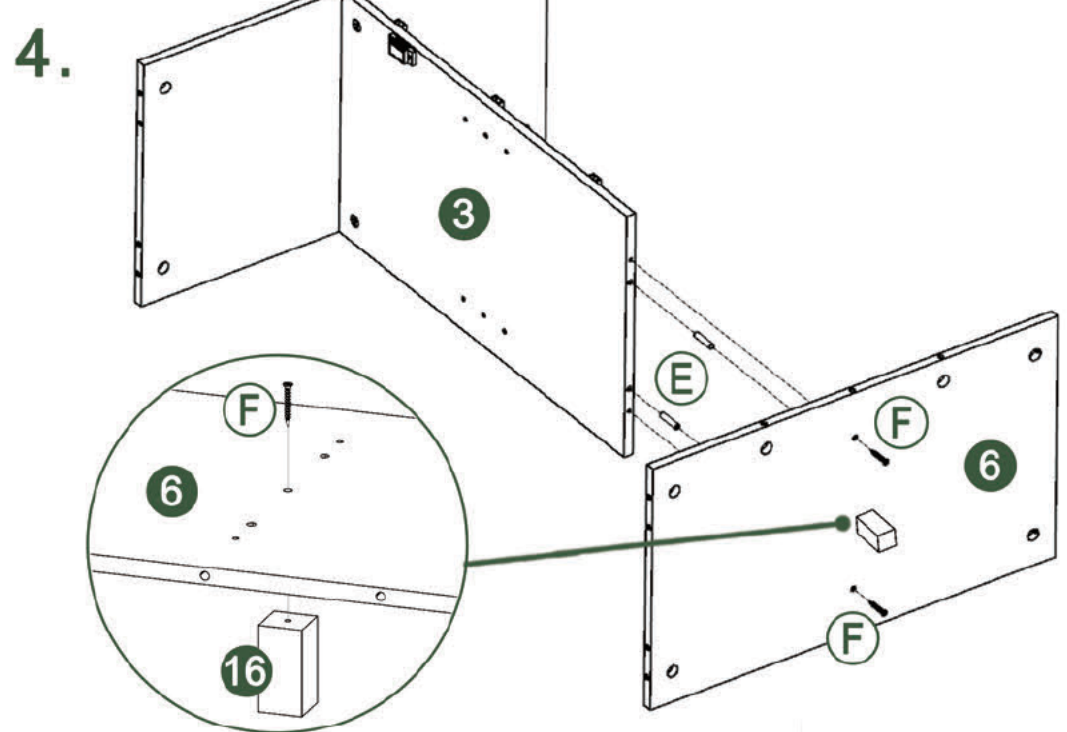
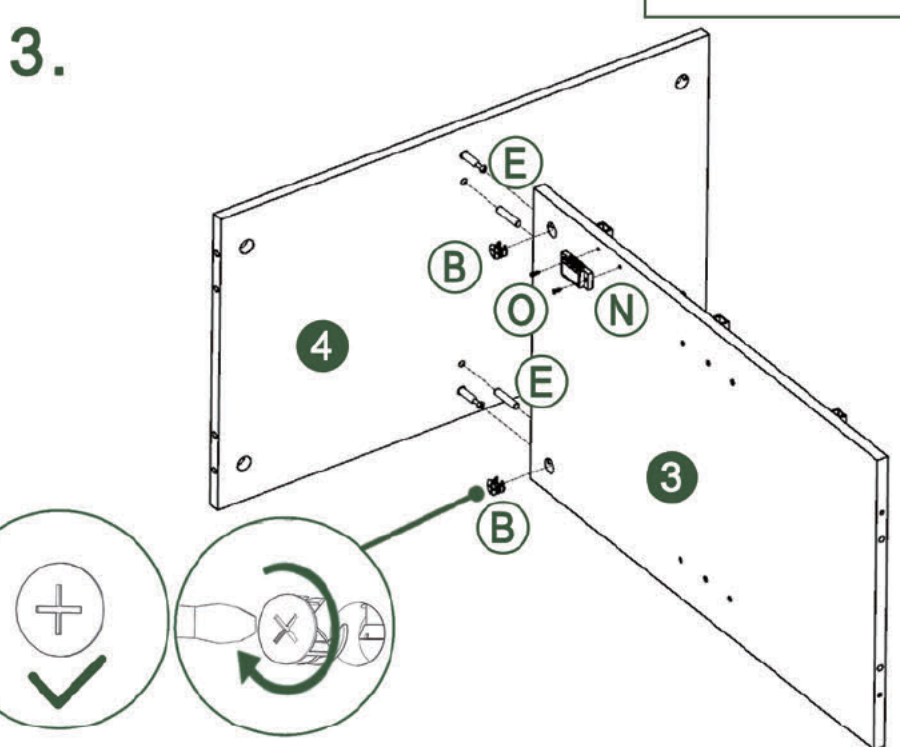
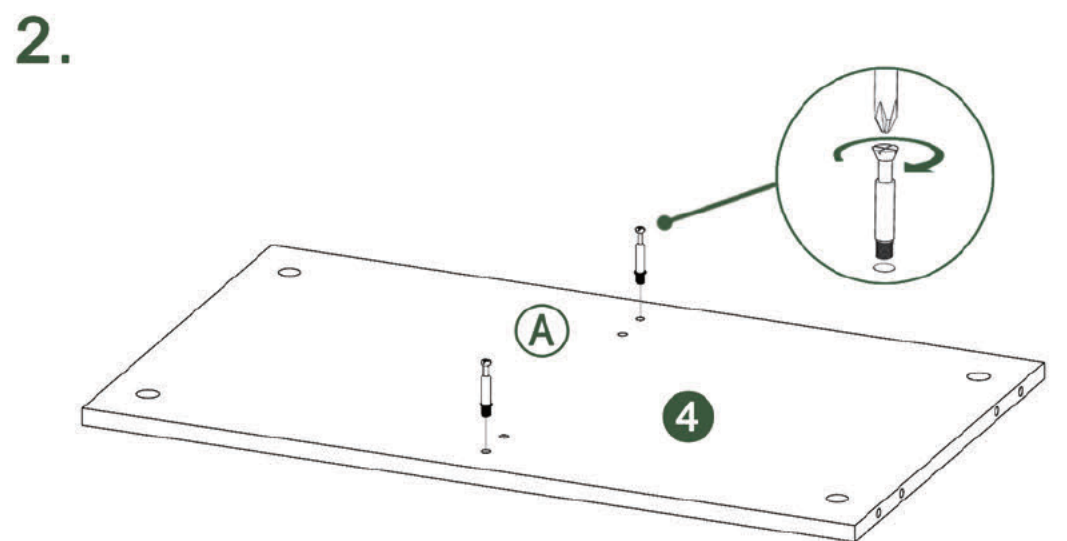
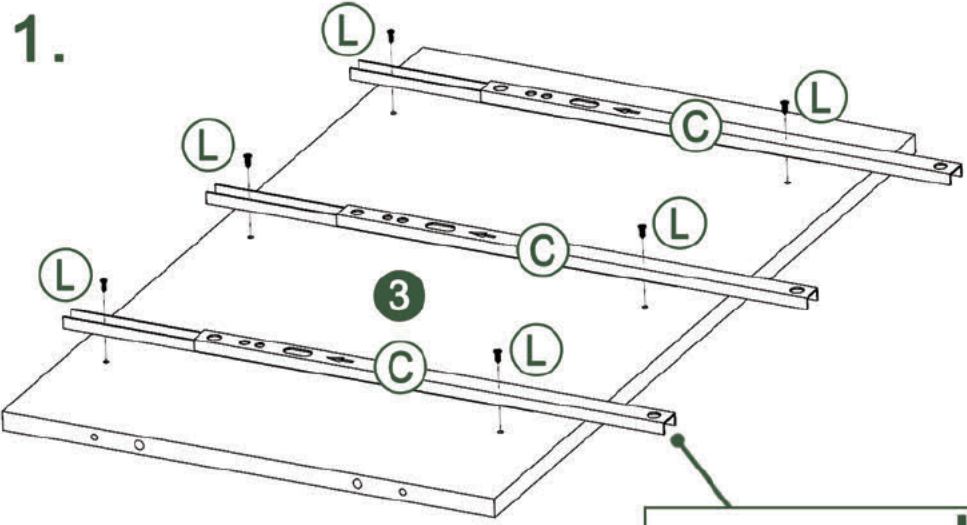
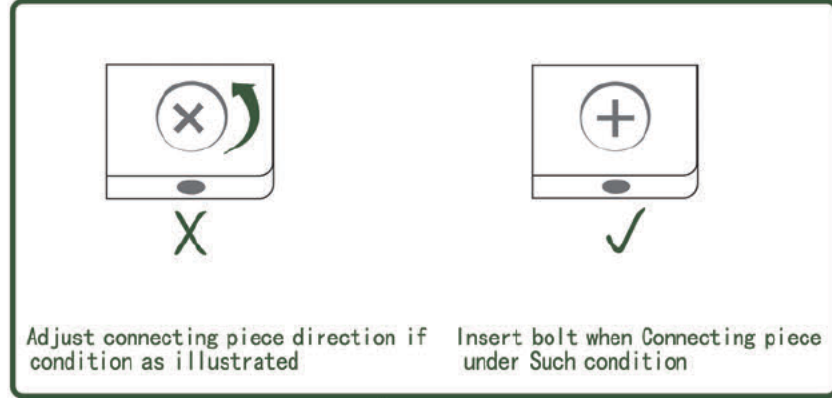
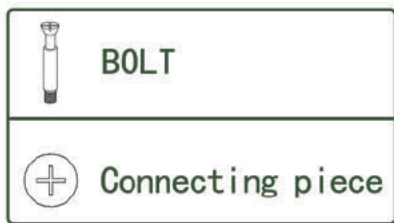


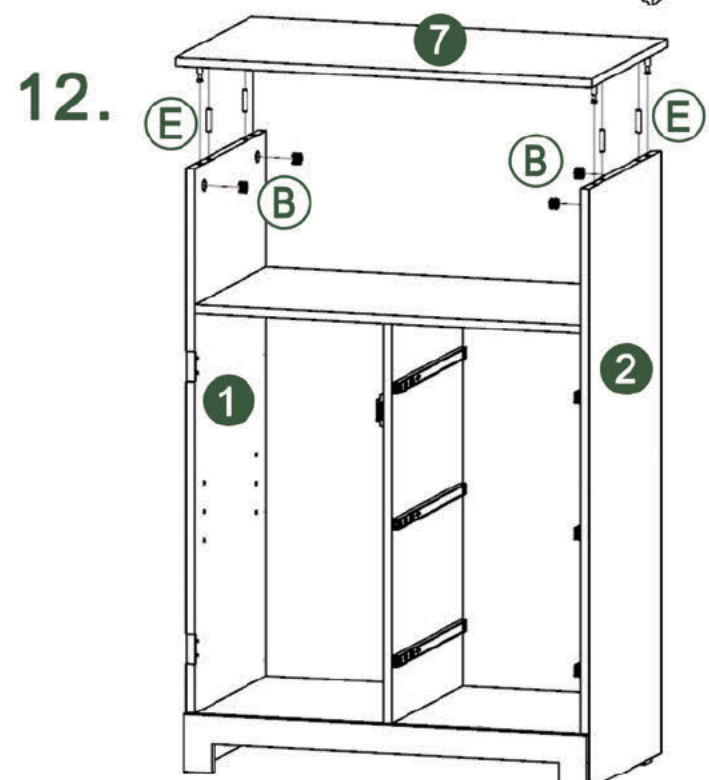
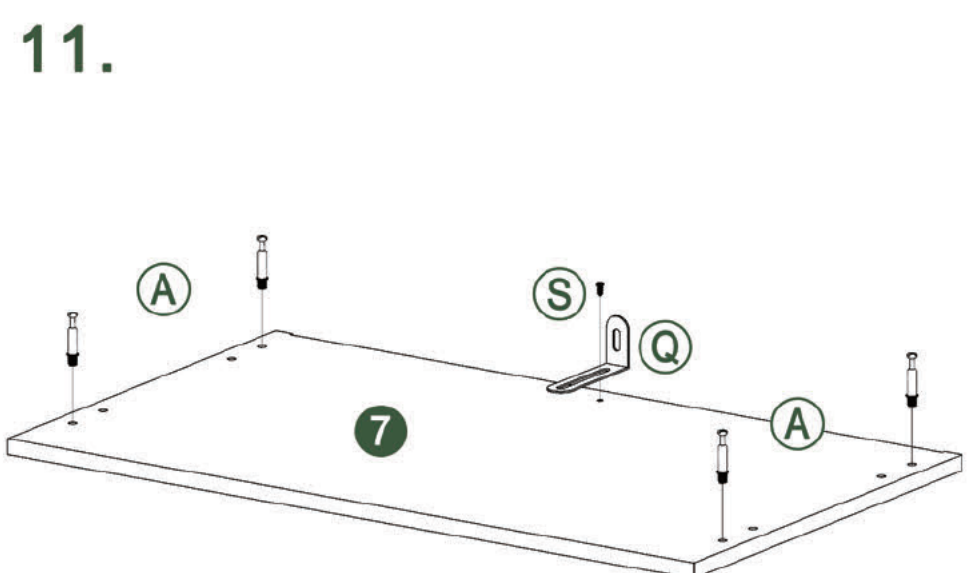
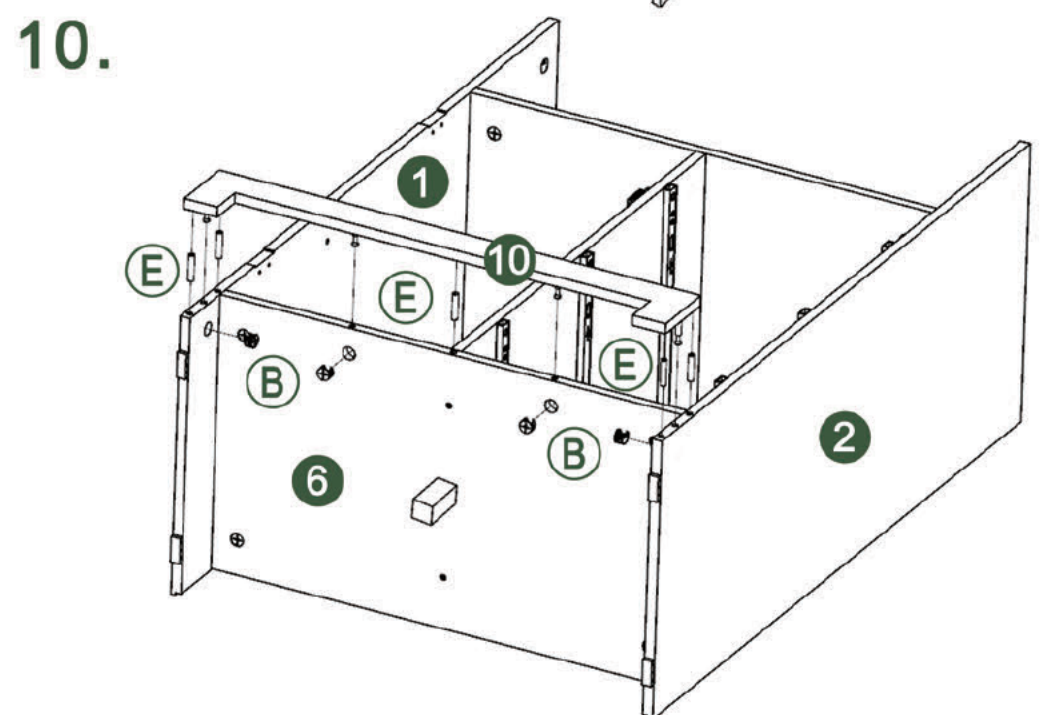
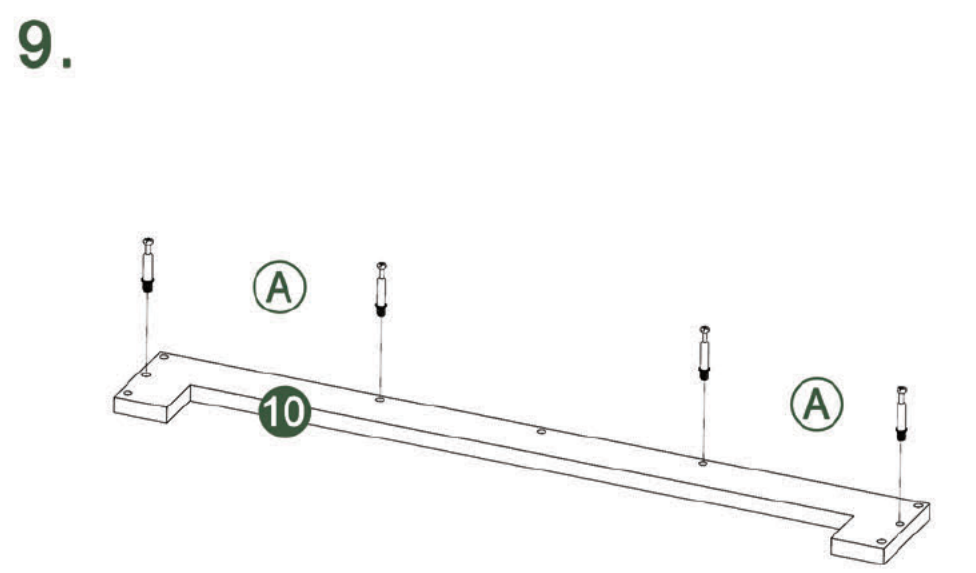
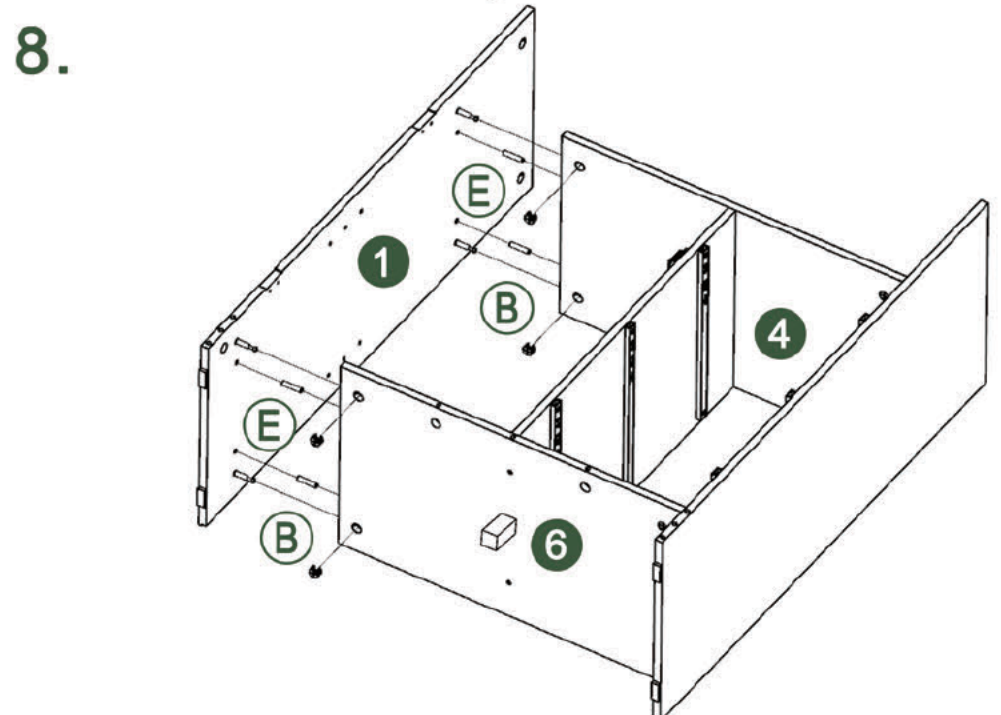
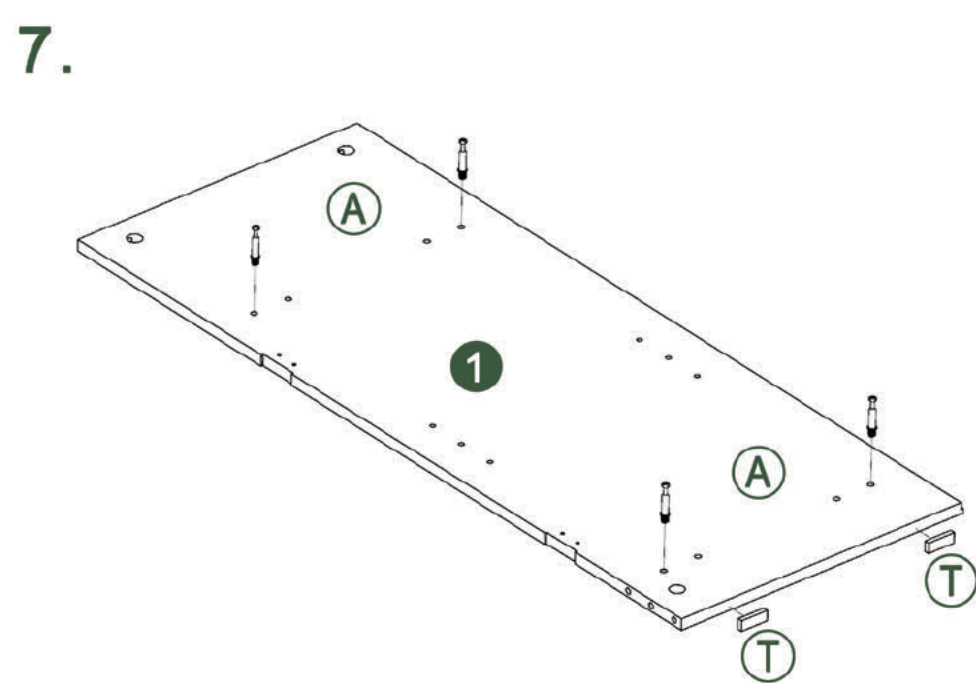
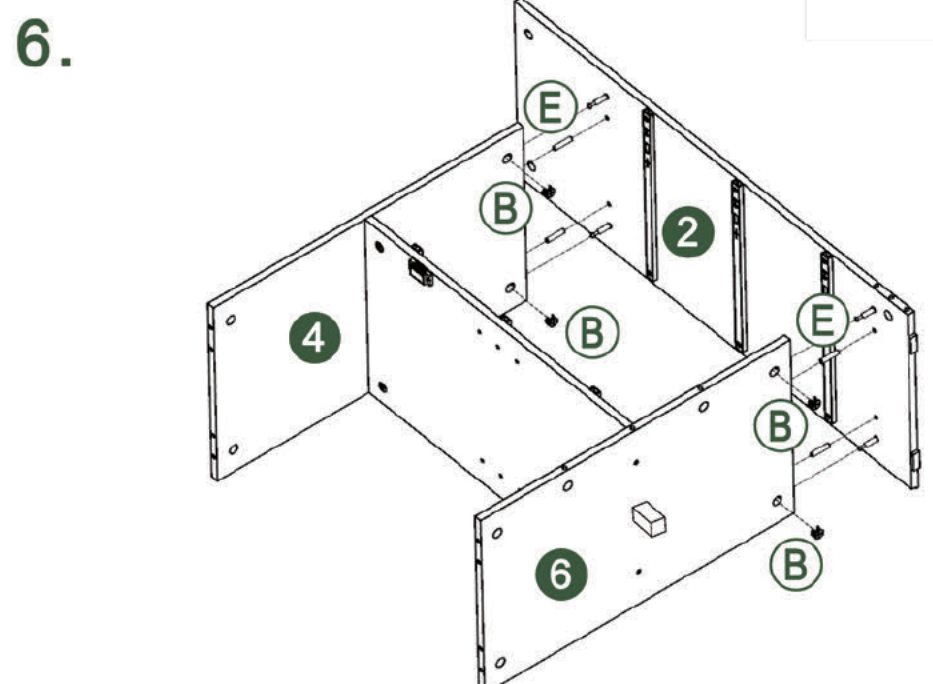
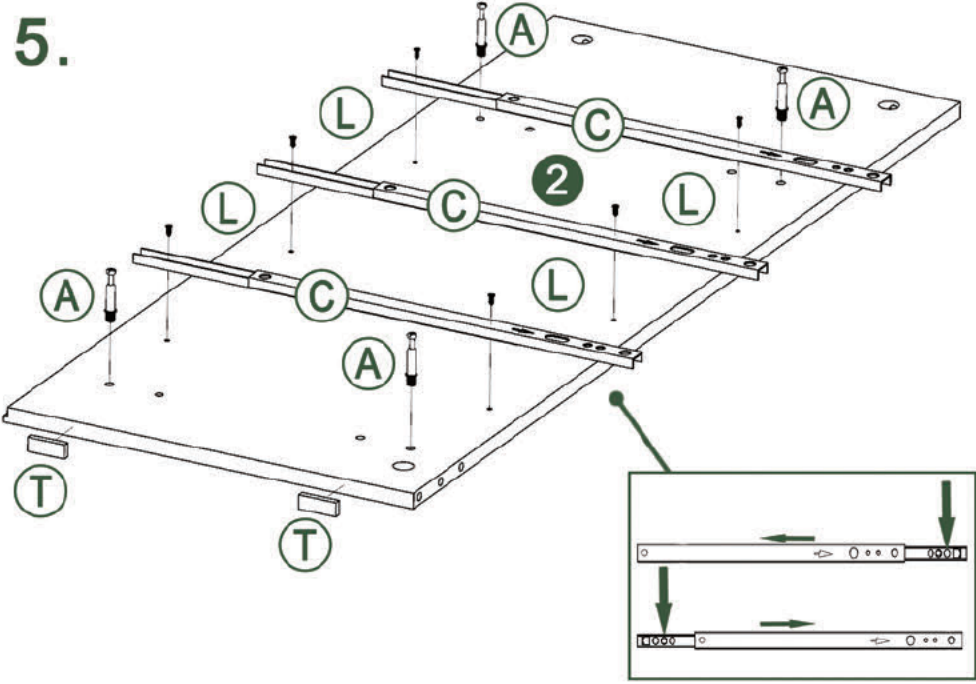
30 x 11 x 5



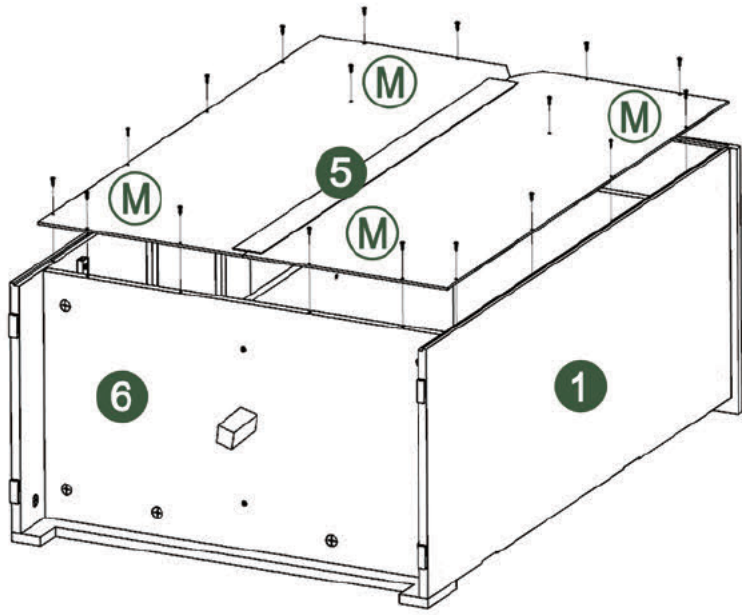
φ 20

BOLT INSTALLATION AS BELOW:

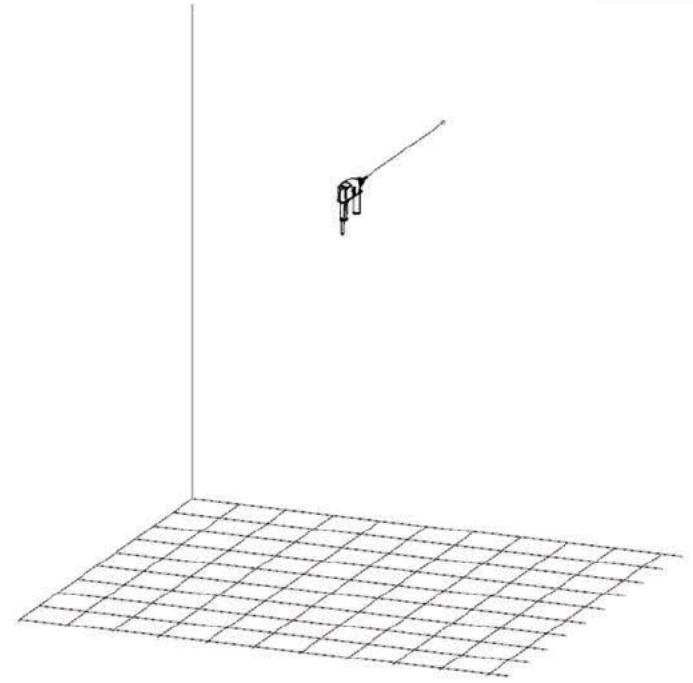




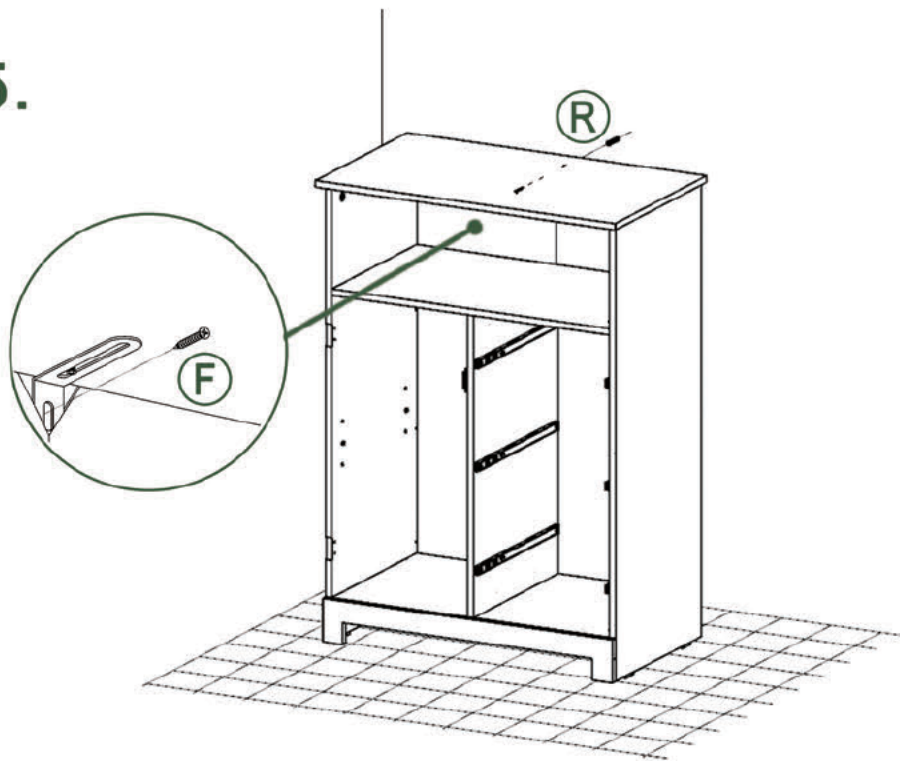
13.



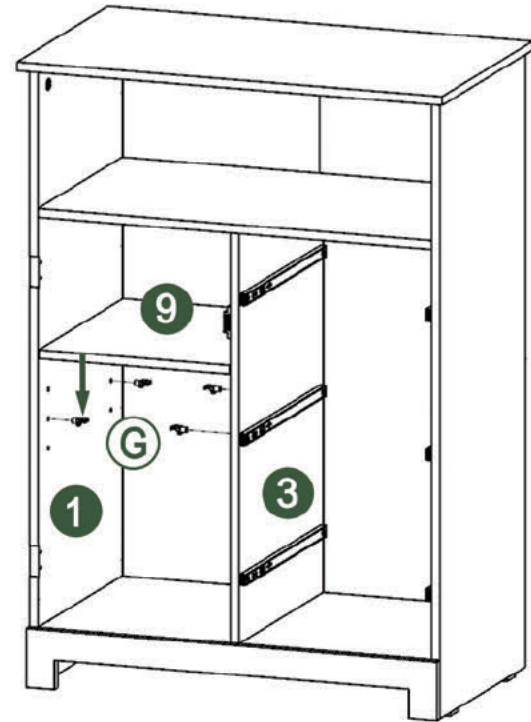
14.



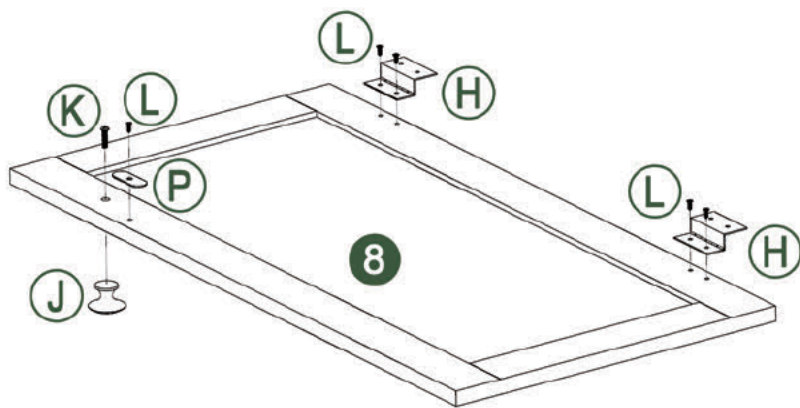
15.



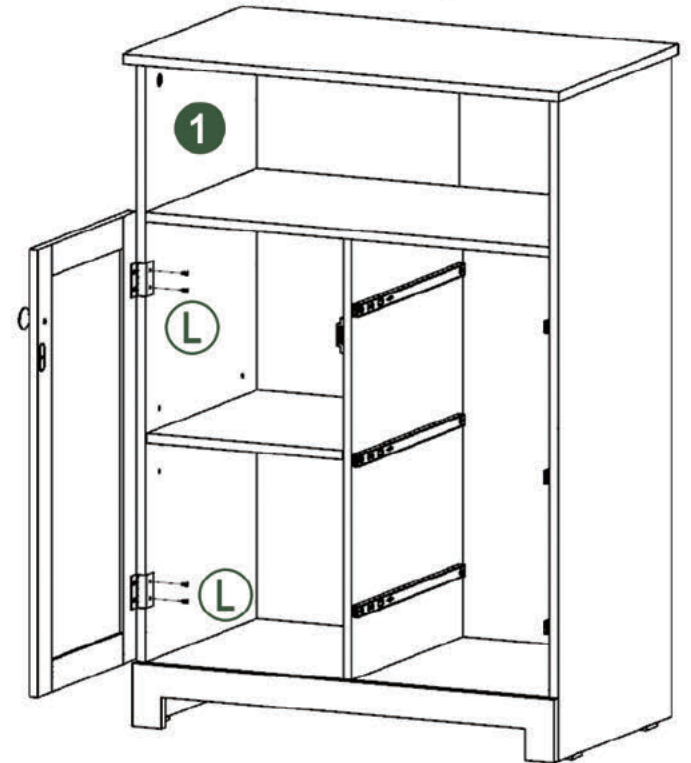
16.



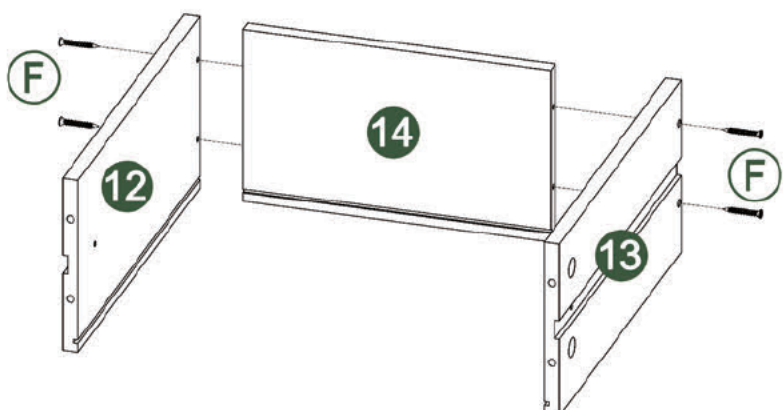
17.



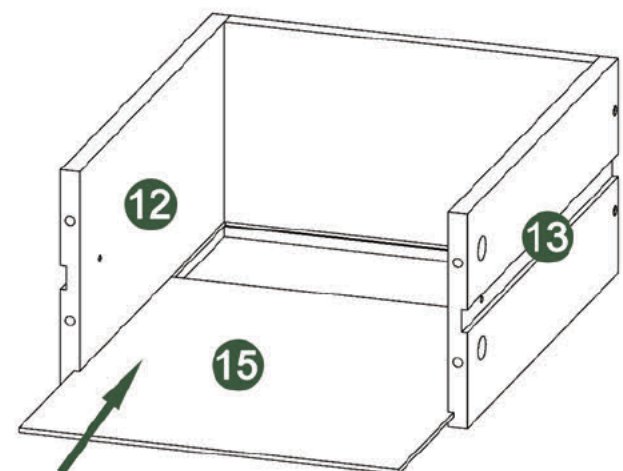
18.



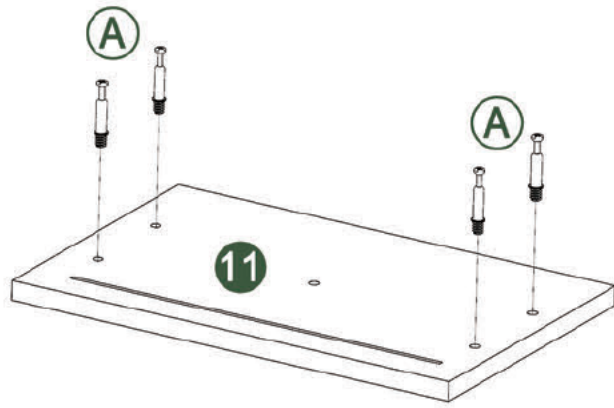
19.(X3)



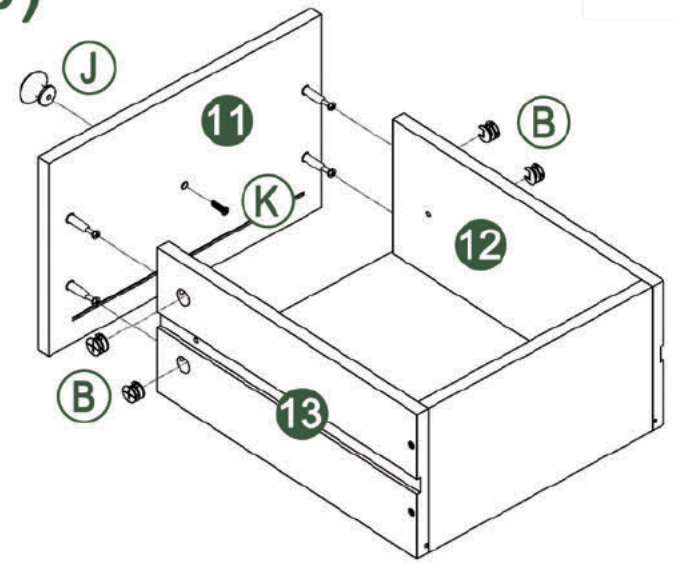
20.(X3)



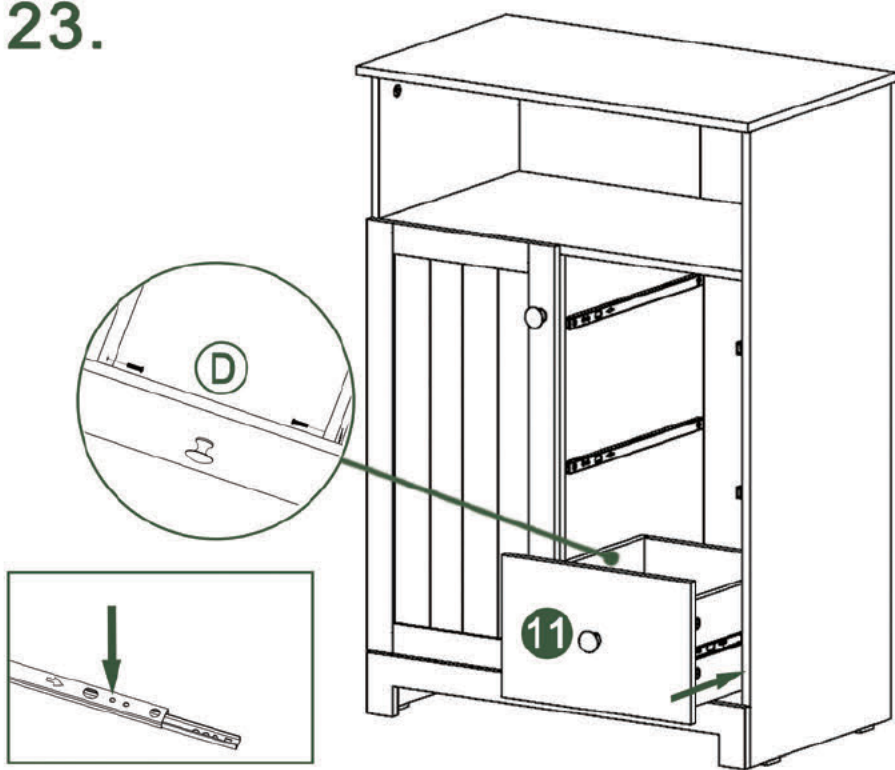
21.(X3)



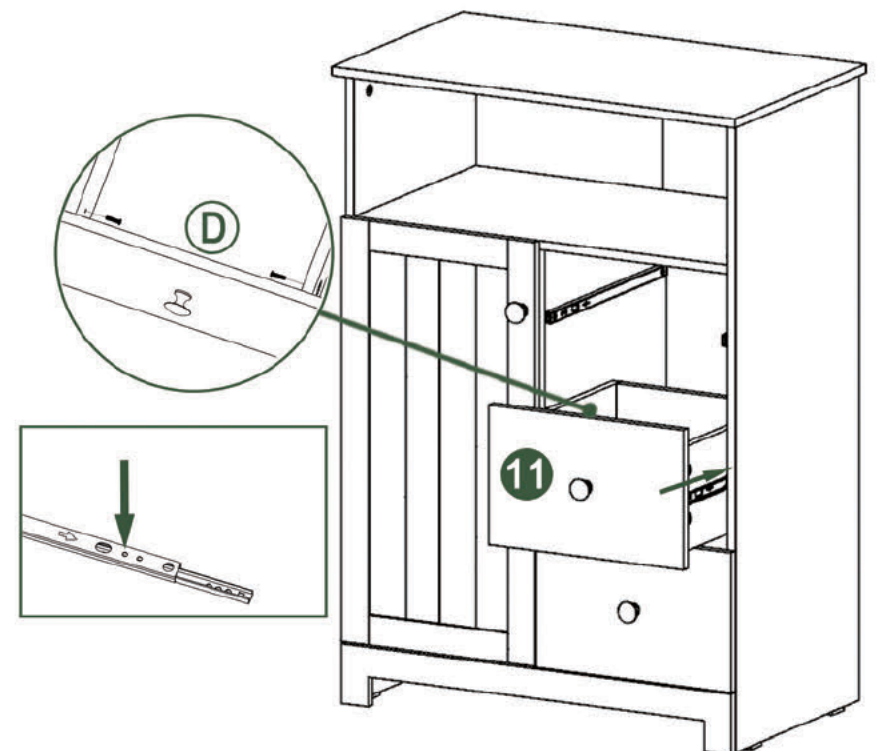
22.(X3)



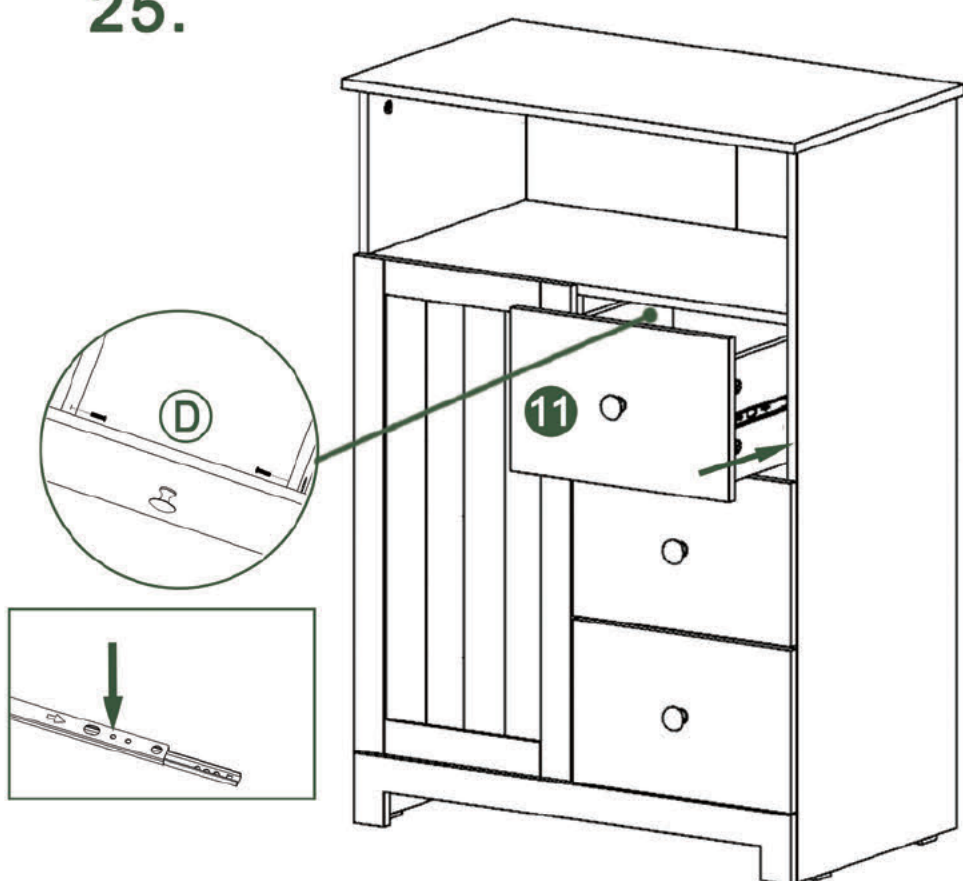
23.



24.



25.



26.

