

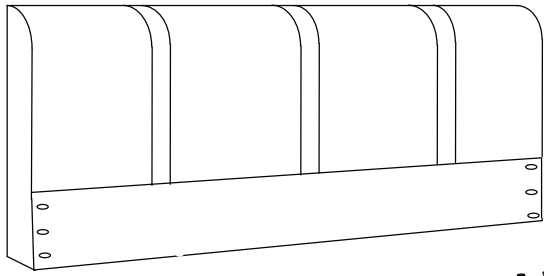
Diagram illustrating assembly instructions and safety warnings:

- Warning 1:** A warning triangle with an exclamation mark is connected by a vertical line to a box containing:
  - A circular inset showing a metal L-bracket.
  - A crossed-out power drill icon.
- Warning 2:** A second warning triangle with an exclamation mark is connected by a vertical line to a box containing:
  - A circular inset showing a mattress on a slatted base.
  - A crossed-out icon of a mattress being pushed down onto the slats.
- Time:** A clock icon with the text "75'" below it, indicating an estimated assembly time of 75 minutes.
- Personnel:** An icon of a person with the number "2" below it, indicating that two people are required for assembly.

16



1



10 x 3



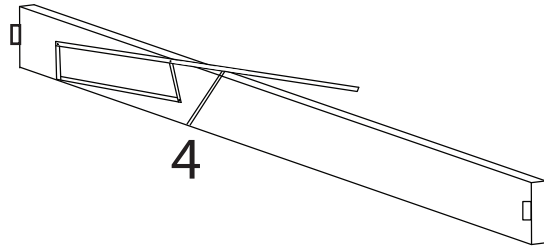
11



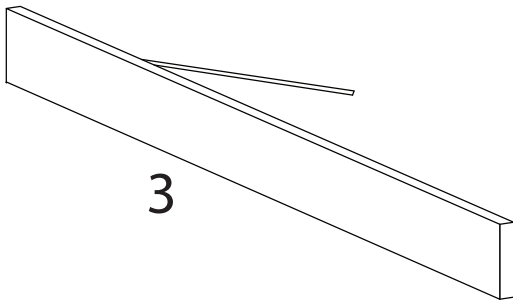
11



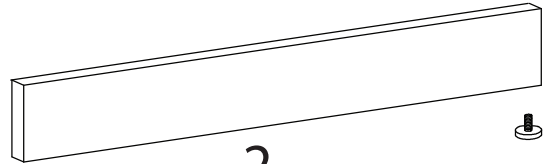
4



3



2



11

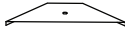
11



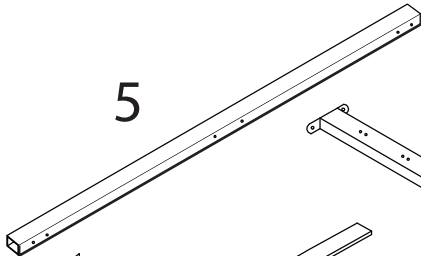
8



9

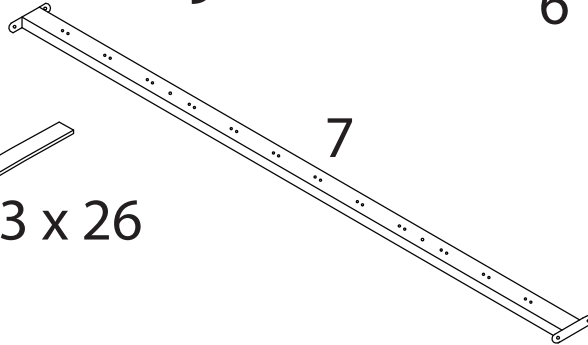


5



6

7



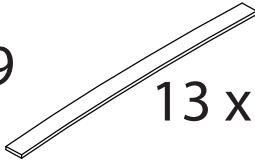
8



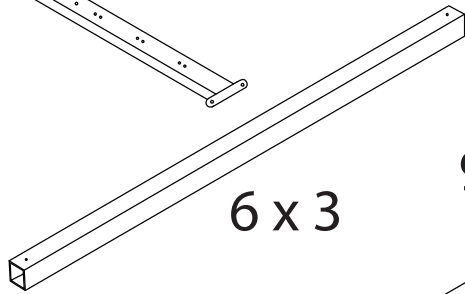
9



13 x 26



6



6 x 3

9



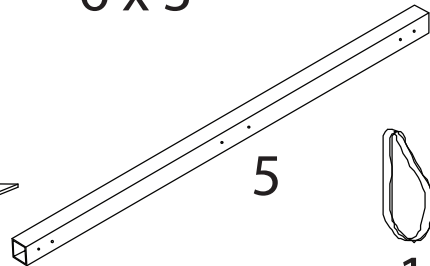
8



9



5



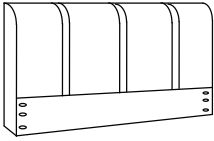
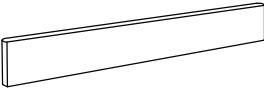
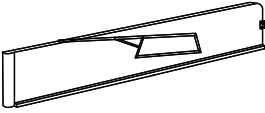
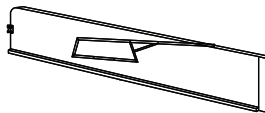
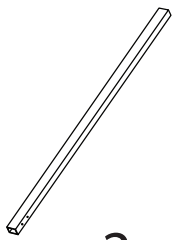
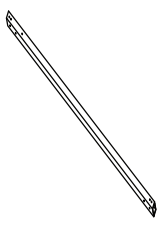
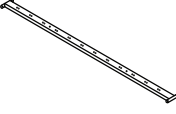
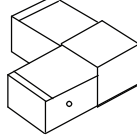
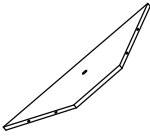
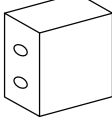
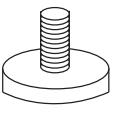

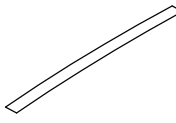
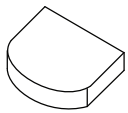
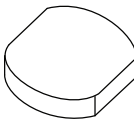
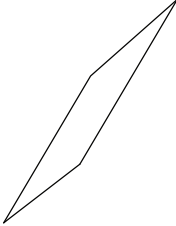
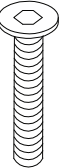
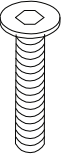
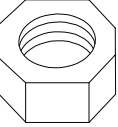
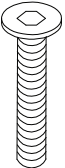
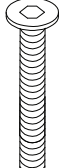

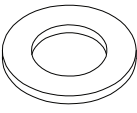
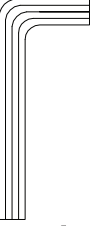

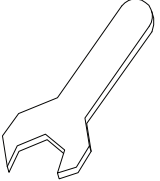
12



2/8

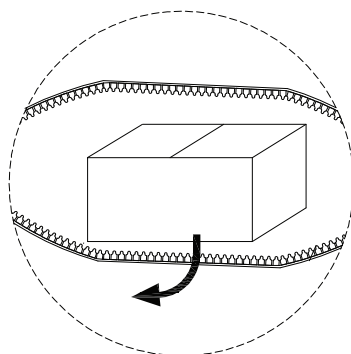
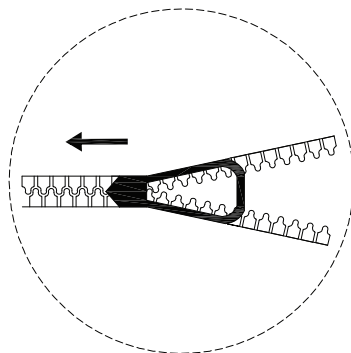
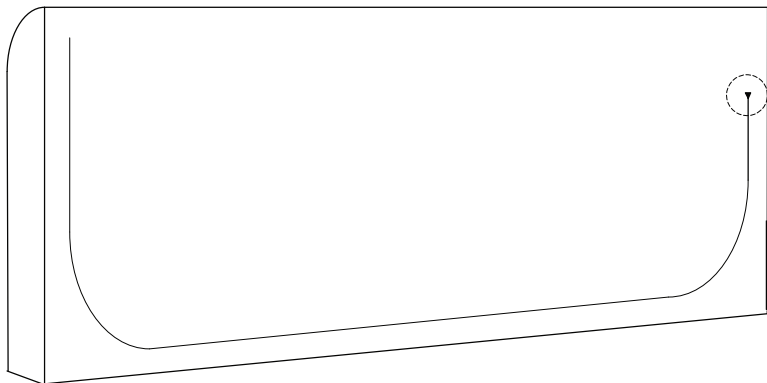
8



|   |   |   |  |  |  |
|---|---|---|--|--|--|
| <p>1</p>  <p>x 1</p>                           | <p>2</p>  <p>x 1</p>                           | <p>3</p>  <p>x 1</p>    | <p>4</p>  <p>x 1</p>                        |  |  |
| <p>5</p>  <p>x 2</p>                           | <p>6</p>  <p>x 3</p>                           | <p>7</p>  <p>x 1</p>     | <p>8</p>  <p>x 4</p>                          | <p>9</p>  <p>x 4</p>                          | <p>10</p>  <p>x 1</p>   |
| <p>11</p>  <p>x 4</p>                        | <p>12</p>  <p>x 1</p>                        | <p>13</p>  <p>x 26</p> | <p>14</p>  <p>x 26</p>                      | <p>15</p>  <p>x 13</p>                      | <p>16</p>  <p>x 1</p>  |
| <p>A</p>  <p>M8<br/>x<br/>25</p> <p>x 12</p> | <p>B</p>  <p>M6<br/>x<br/>15</p> <p>x 12</p> | <p>C</p>  <p>x 2</p>   | <p>D</p>  <p>M6<br/>x<br/>30</p> <p>x 6</p> | <p>E</p>  <p>M6<br/>x<br/>75</p> <p>x 2</p> | <p>F</p>  <p>x 12</p> |
| <p>G</p>  <p>x 12</p>                        | <p>H</p>  <p>x 1</p>                         | <p>I</p>  <p>x 2</p>   | <p>J</p>  <p>x 1</p>                      |  |  |

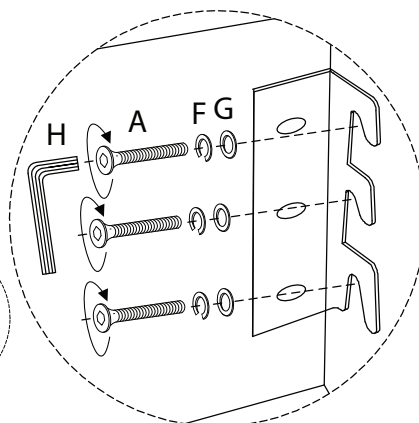
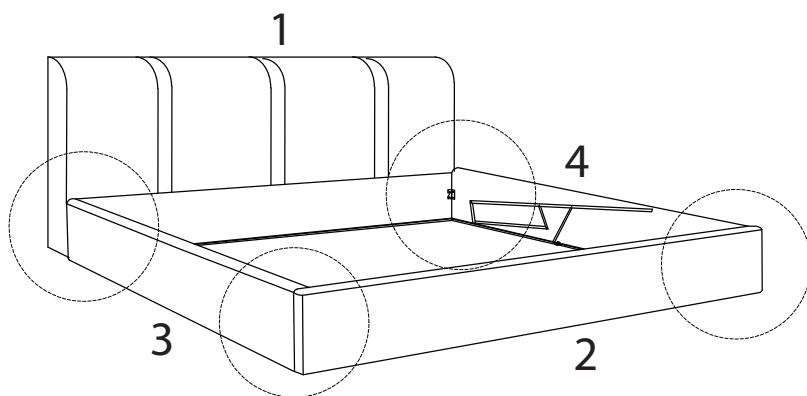
!

1



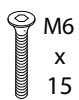
1

|                     |                     |                     |                     |   |                      |                      |                     |
|---------------------|---------------------|---------------------|---------------------|---|----------------------|----------------------|---------------------|
| <p>1</p> <p>x 1</p> | <p>2</p> <p>x 1</p> | <p>3</p> <p>x 1</p> | <p>4</p> <p>x 1</p> | <p>A</p> <p>M8<br/>x 25</p> <p>x 12</p> | <p>F</p> <p>x 12</p> | <p>G</p> <p>x 12</p> | <p>H</p> <p>x 1</p> |
|---------------------|---------------------|---------------------|---------------------|---|----------------------|----------------------|---------------------|



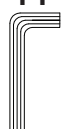
2

B



x 8

H

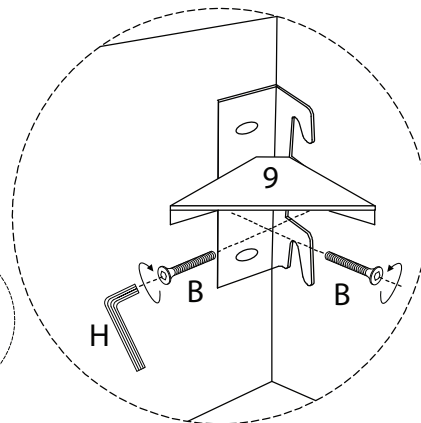
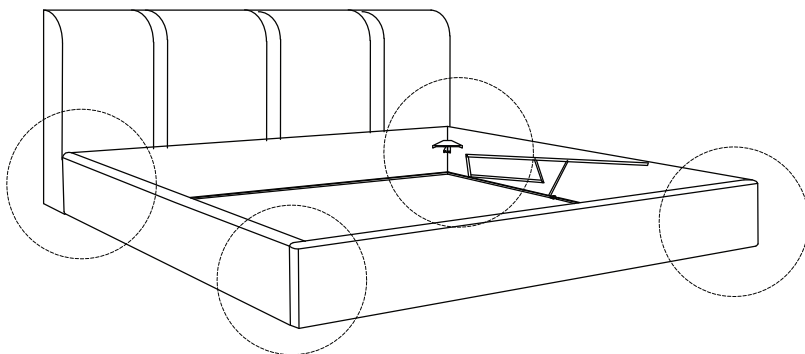


x 1

9

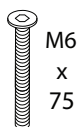


x 4



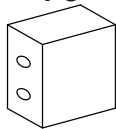
3

E



x 2

10

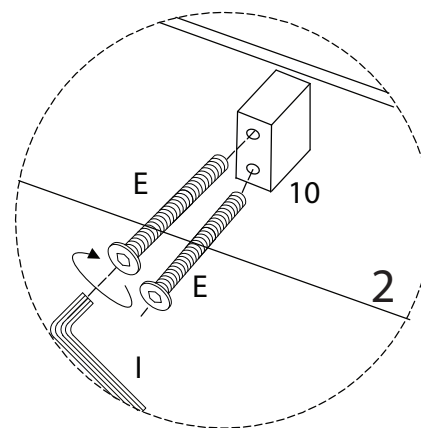
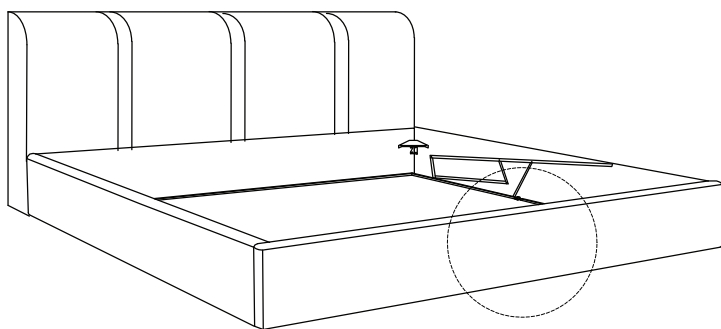


x 1



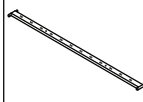
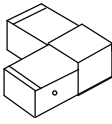
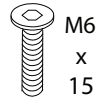
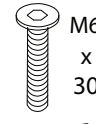
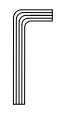
I

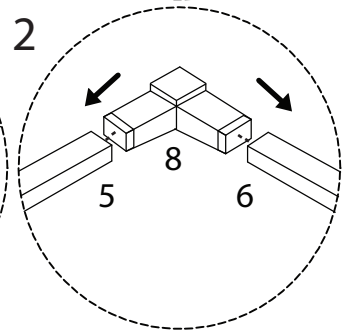
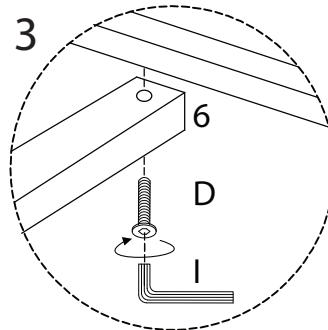
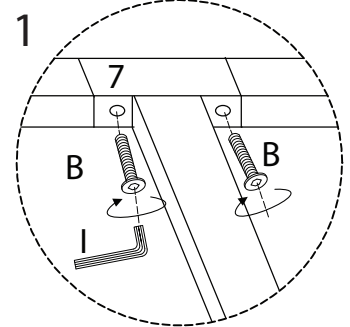
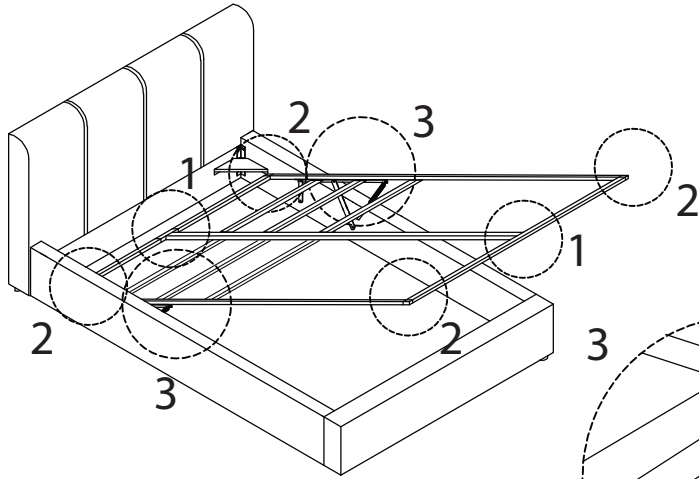


x 1

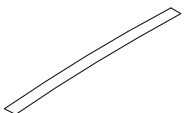
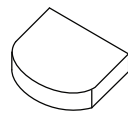
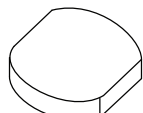


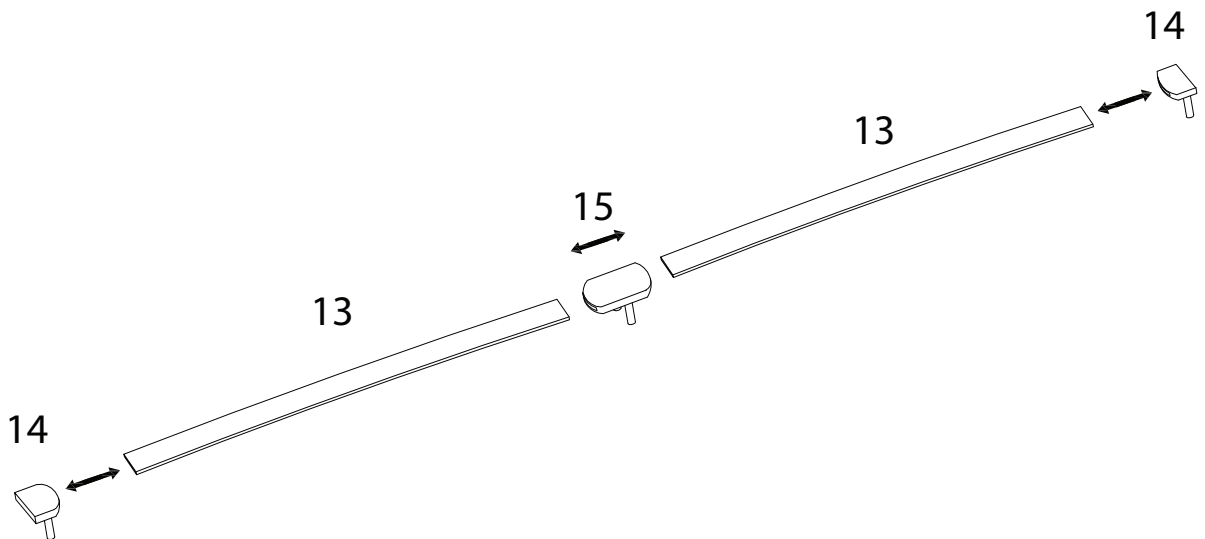
4

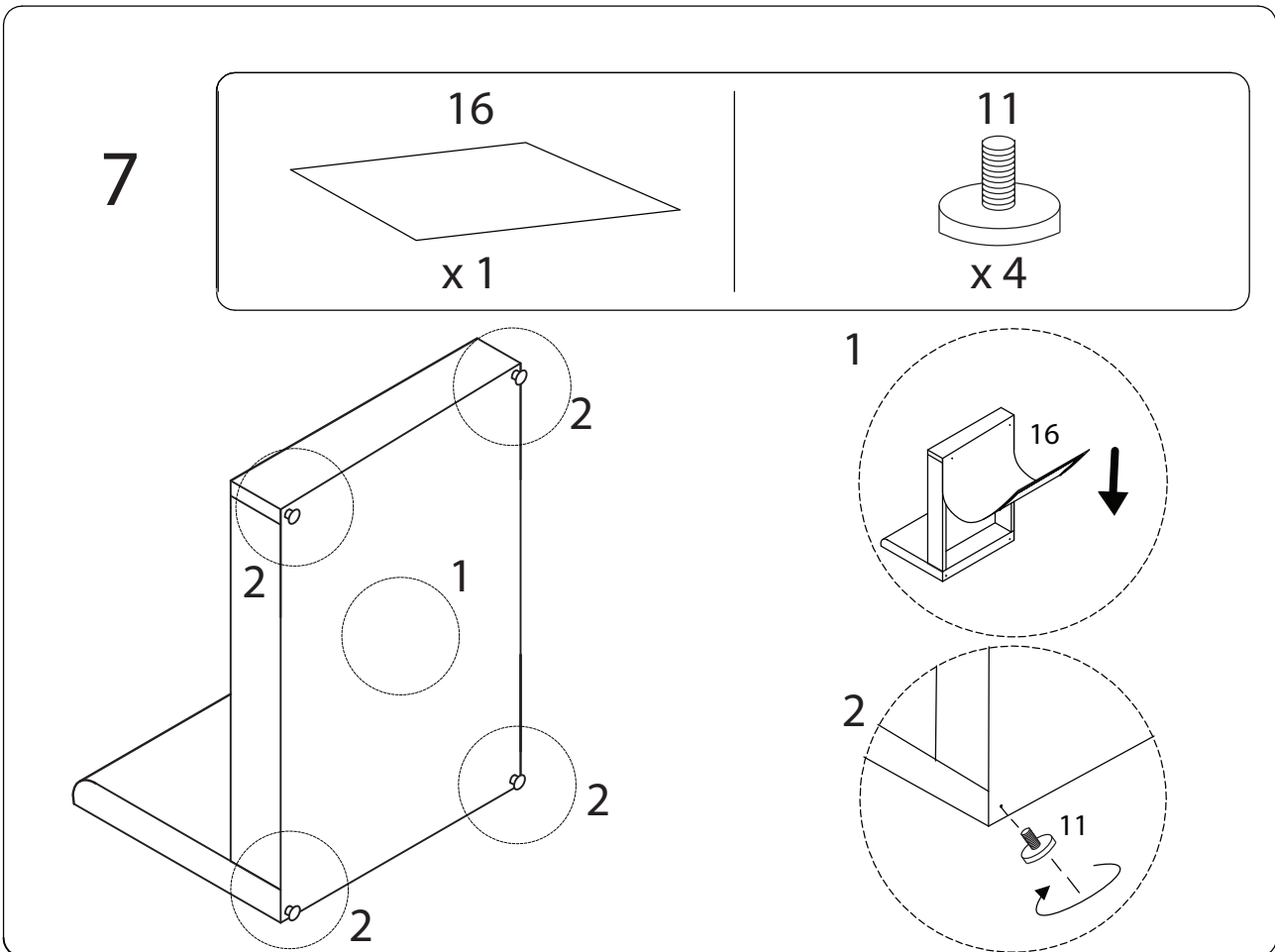
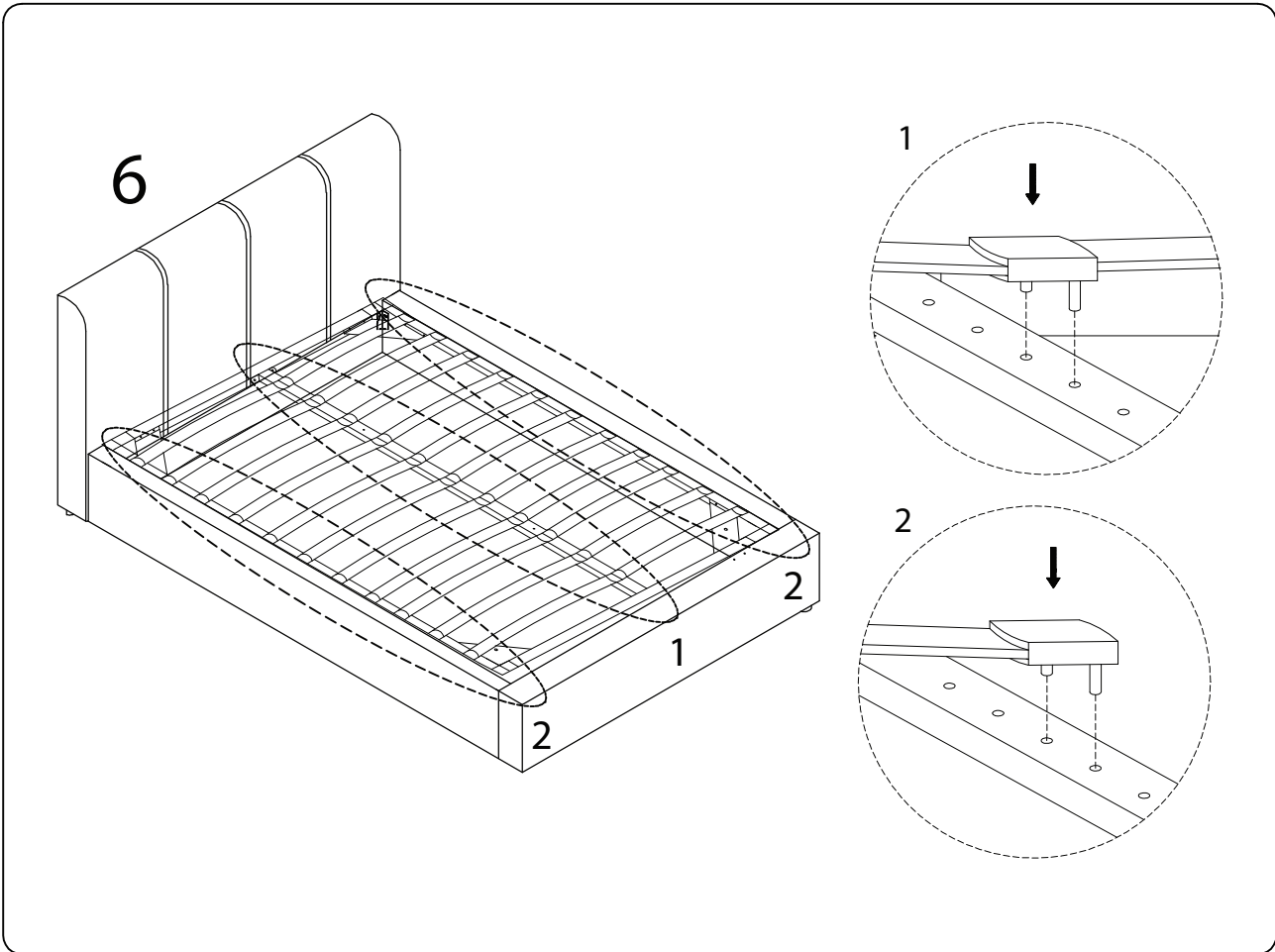
|   |   |   |   |  |   |   |
|---|---|---|---|--|---|---|
| 5<br><br>x 2 | 6<br><br>x 2 | 7<br><br>x 1 | 8<br><br>x 4 | B<br><br>M6<br>x 15<br>x 4 | D<br><br>M6<br>x 30<br>x 6 | I<br><br>x 1 |
|---|---|---|---|--|---|---|



5

|   |   |   |
|---|---|---|
| 13<br><br>x 26 | 14<br><br>x 26 | 15<br><br>x 13 |
|---|---|---|





8

C

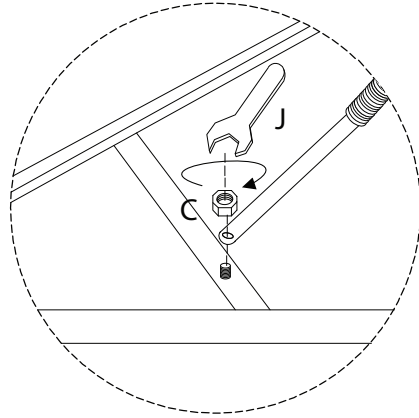
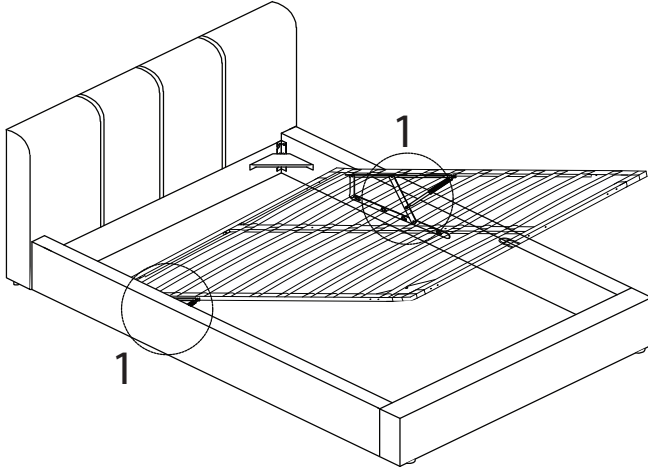


x2

J



x1



9

12



x1

