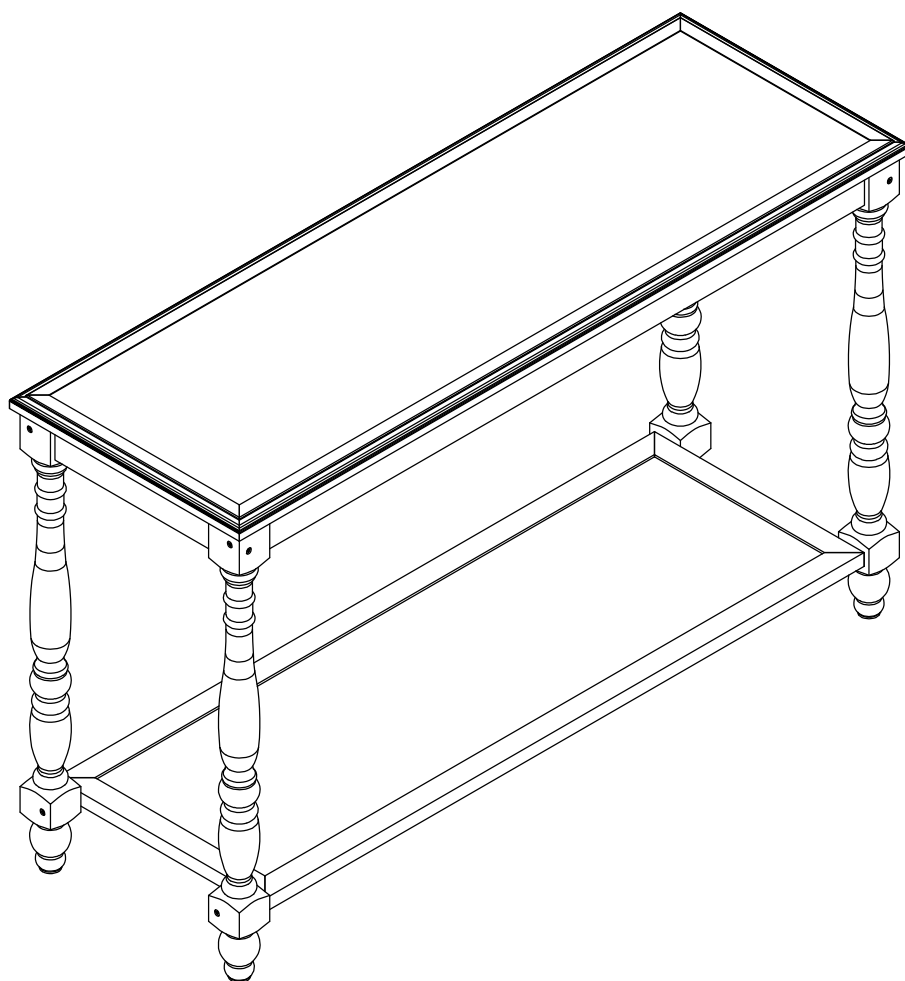
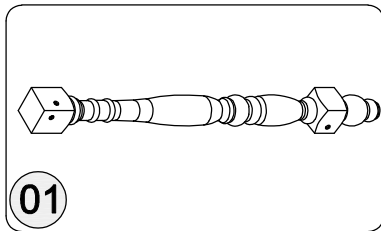


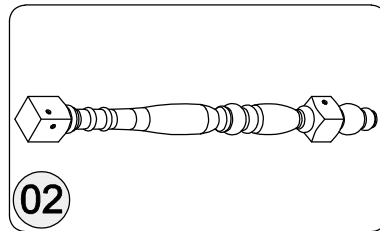
Installation Instructions



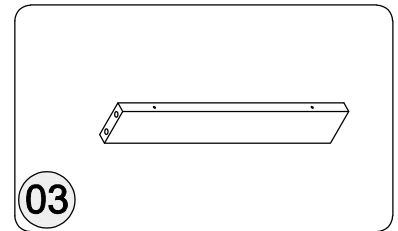
Board Identification



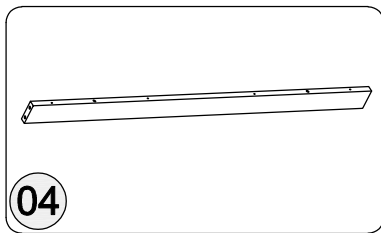
left foot
Qty:2



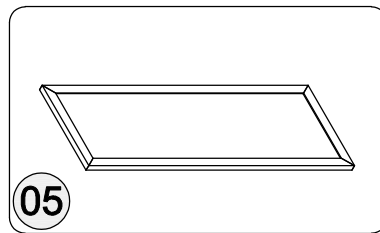
right foot
Qty:2



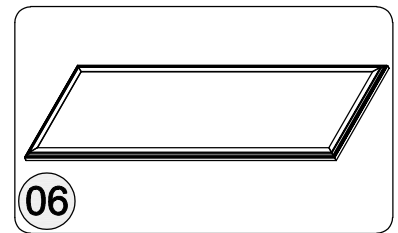
Short pull board
Qty:2



Long pull board
Qty:2

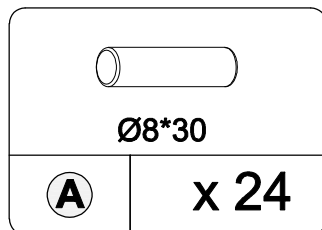


base
Qty:1

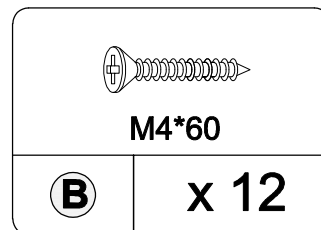


panel
Qty:1

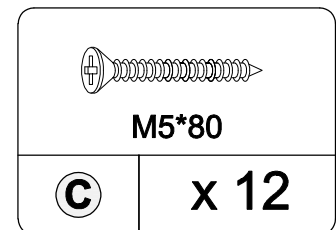
Hardware Identification



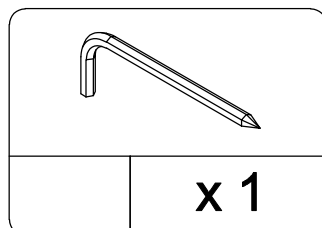
Wooden tenons



Screw

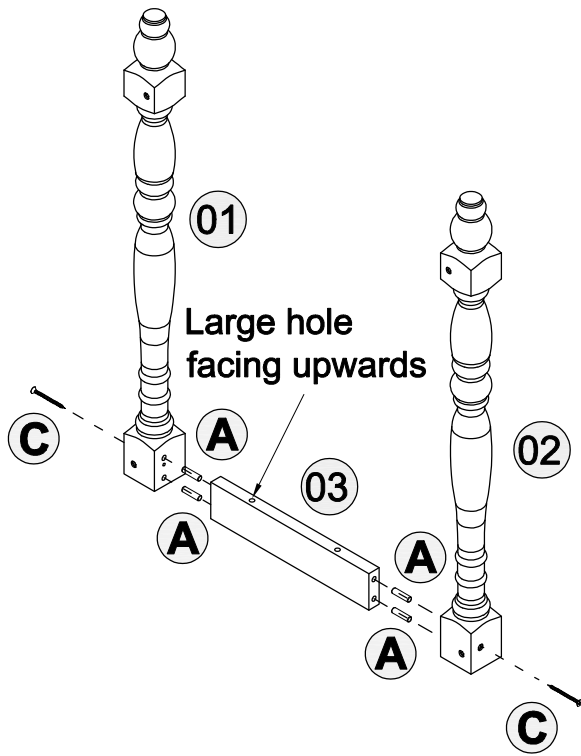


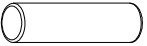
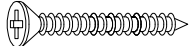
Screw



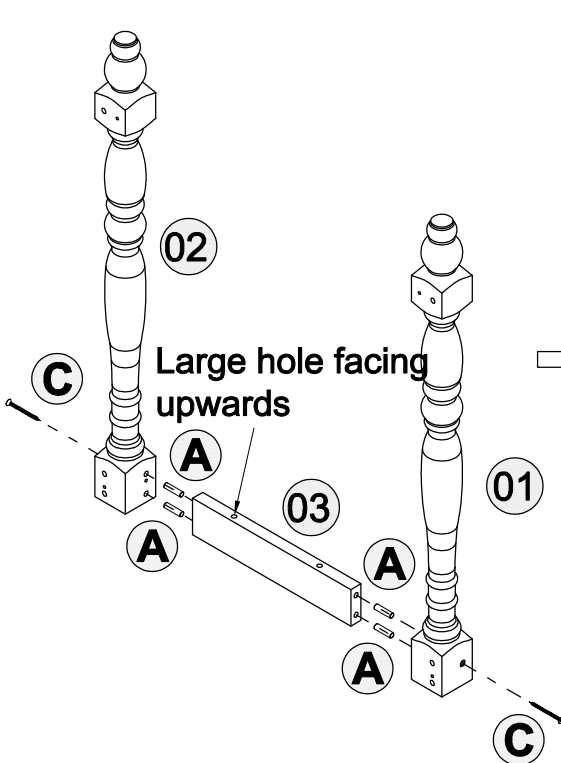
Hex key


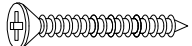
Step 1



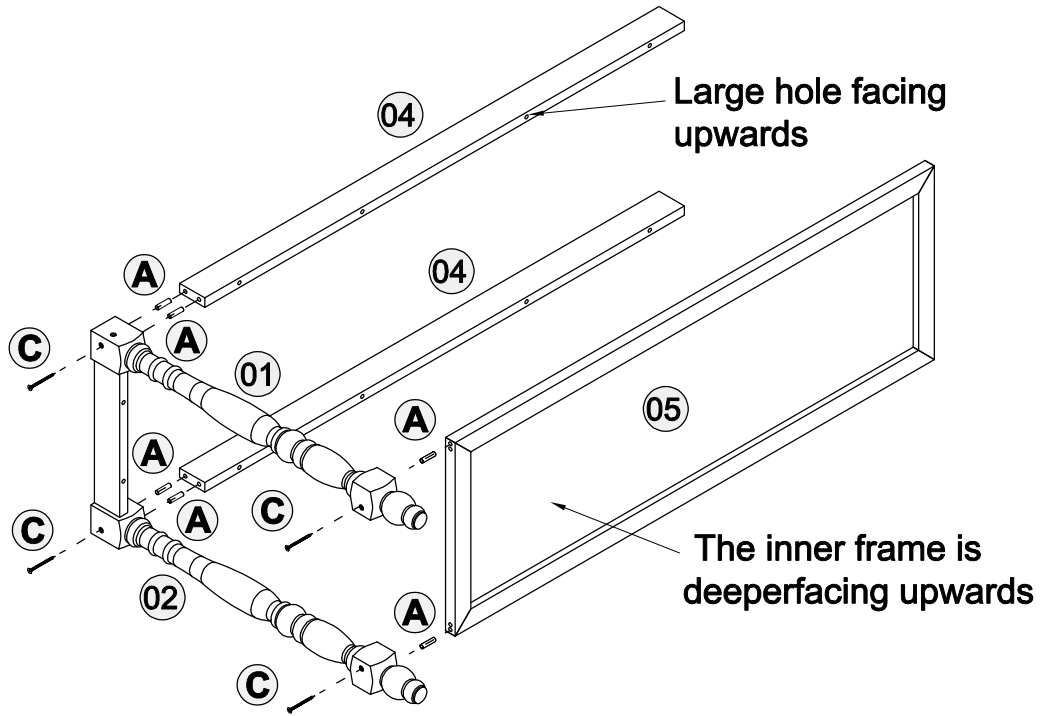
	
Ø8*30	
A	x 4
	
M5*80	
C	x 2

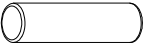
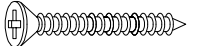
Step 2



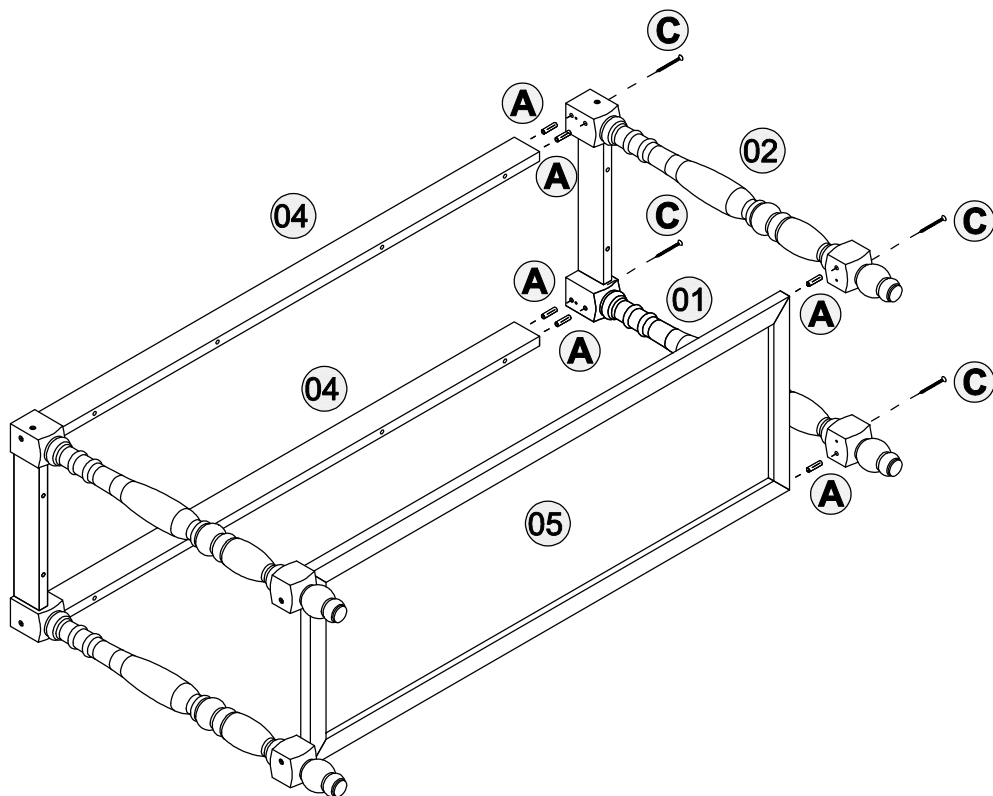
	
Ø8*30	
A	x 4
	
M5*80	
C	x 2


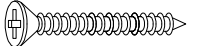
Step 3



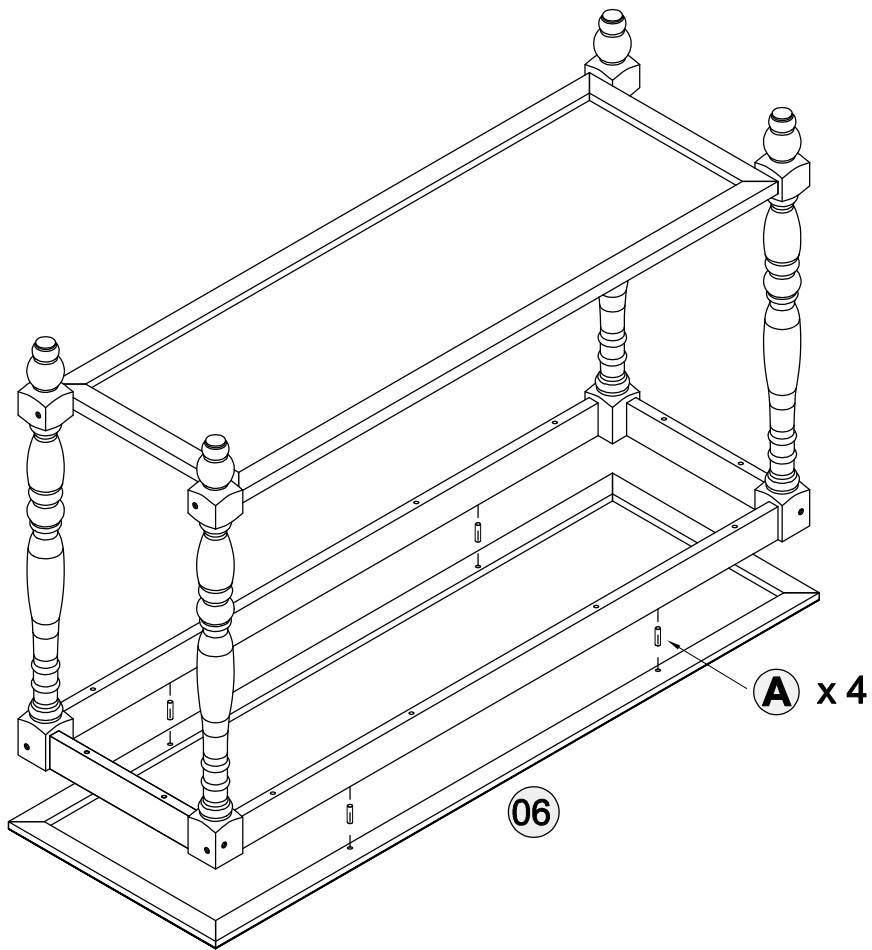
	
Ø8*30	
A	x 6
	
M5*80	
C	x 4

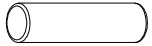
Step 4



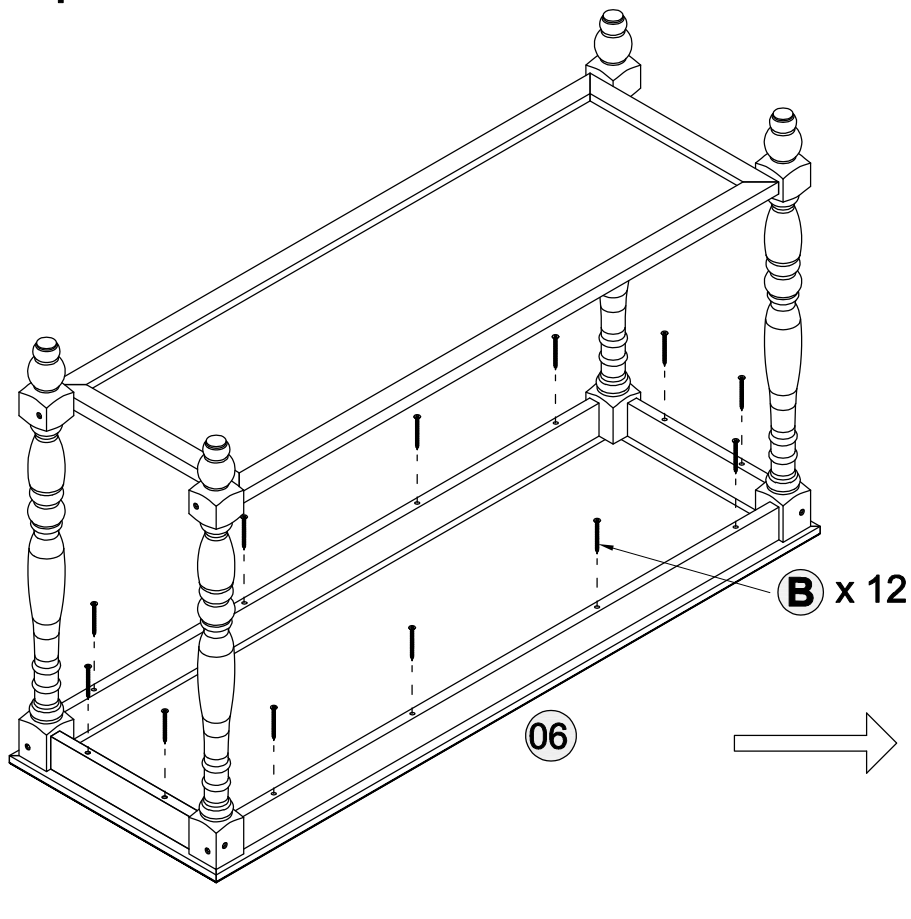
	
Ø8*30	
A	x 6
	
M5*80	
C	x 4

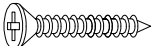
Step 5



	
Ø8*30	
A	x 4

Step 6



	
M4*60	
B	x 12