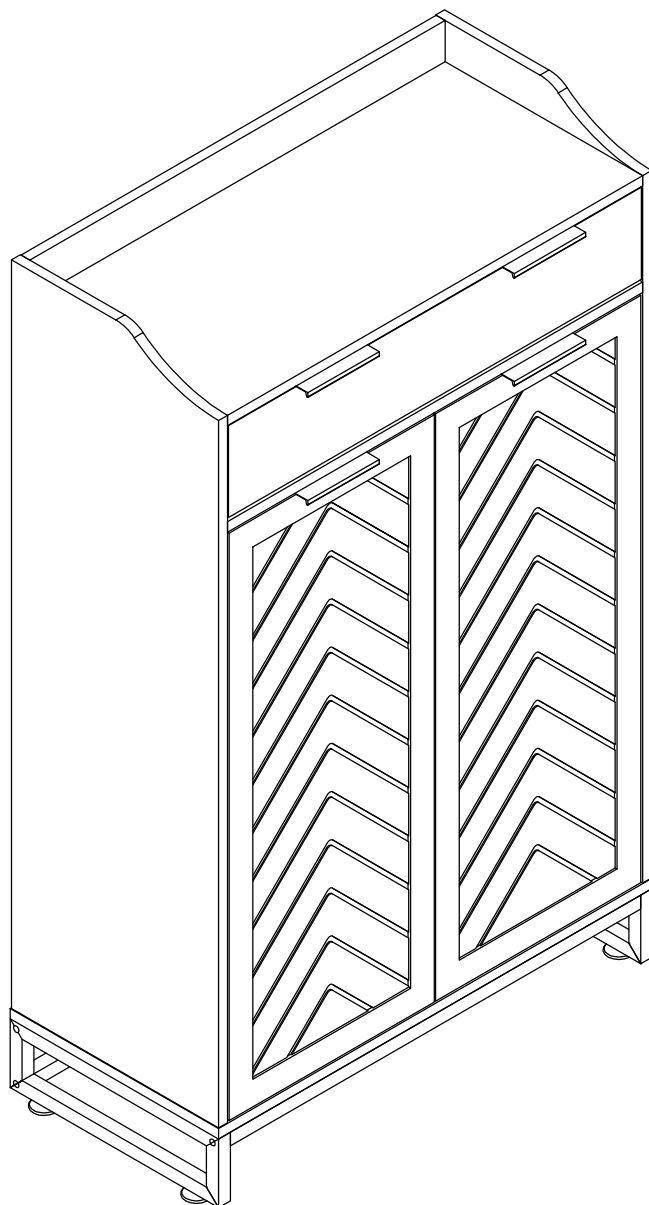
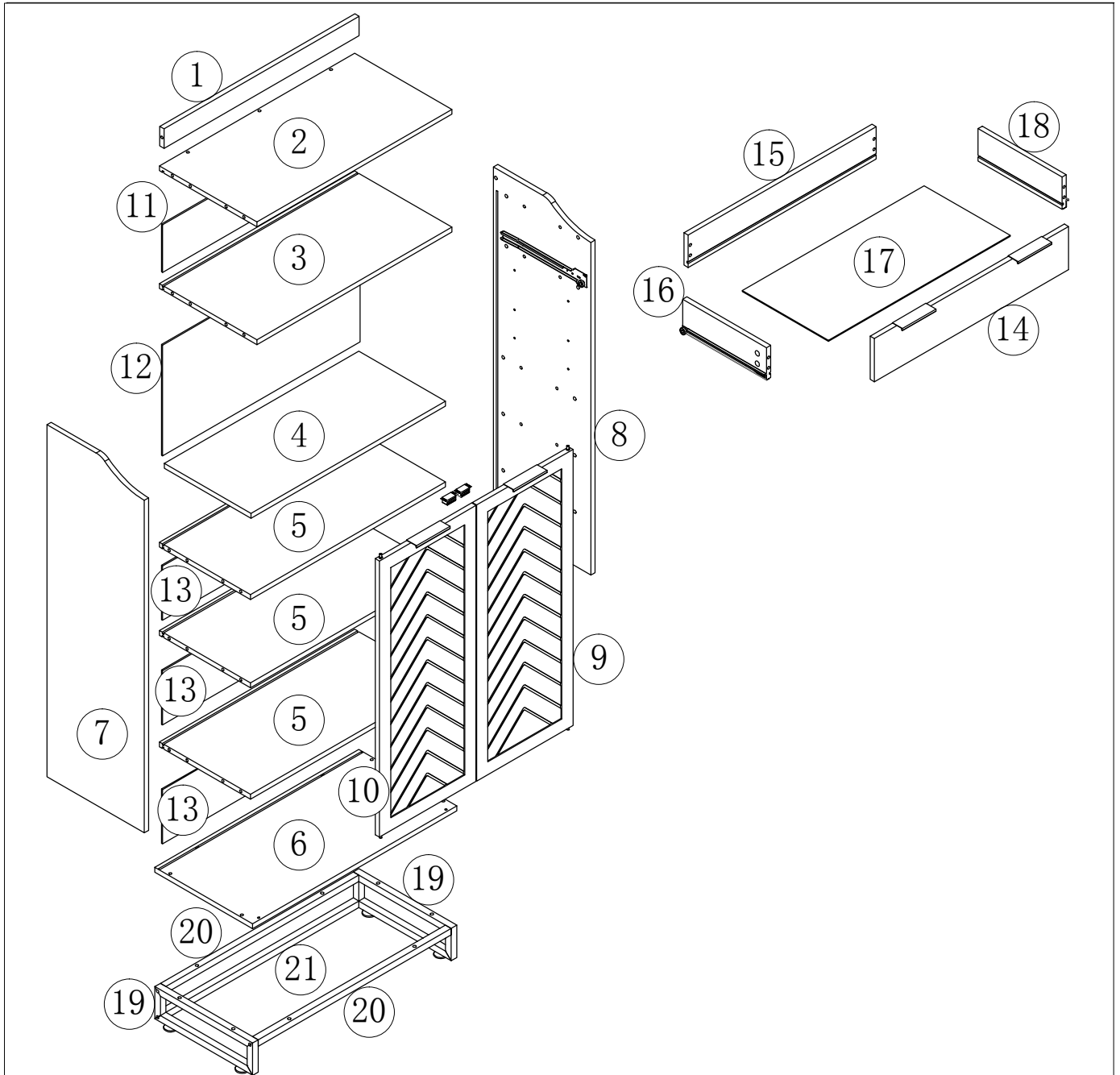
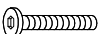



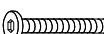



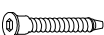

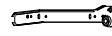









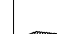
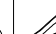













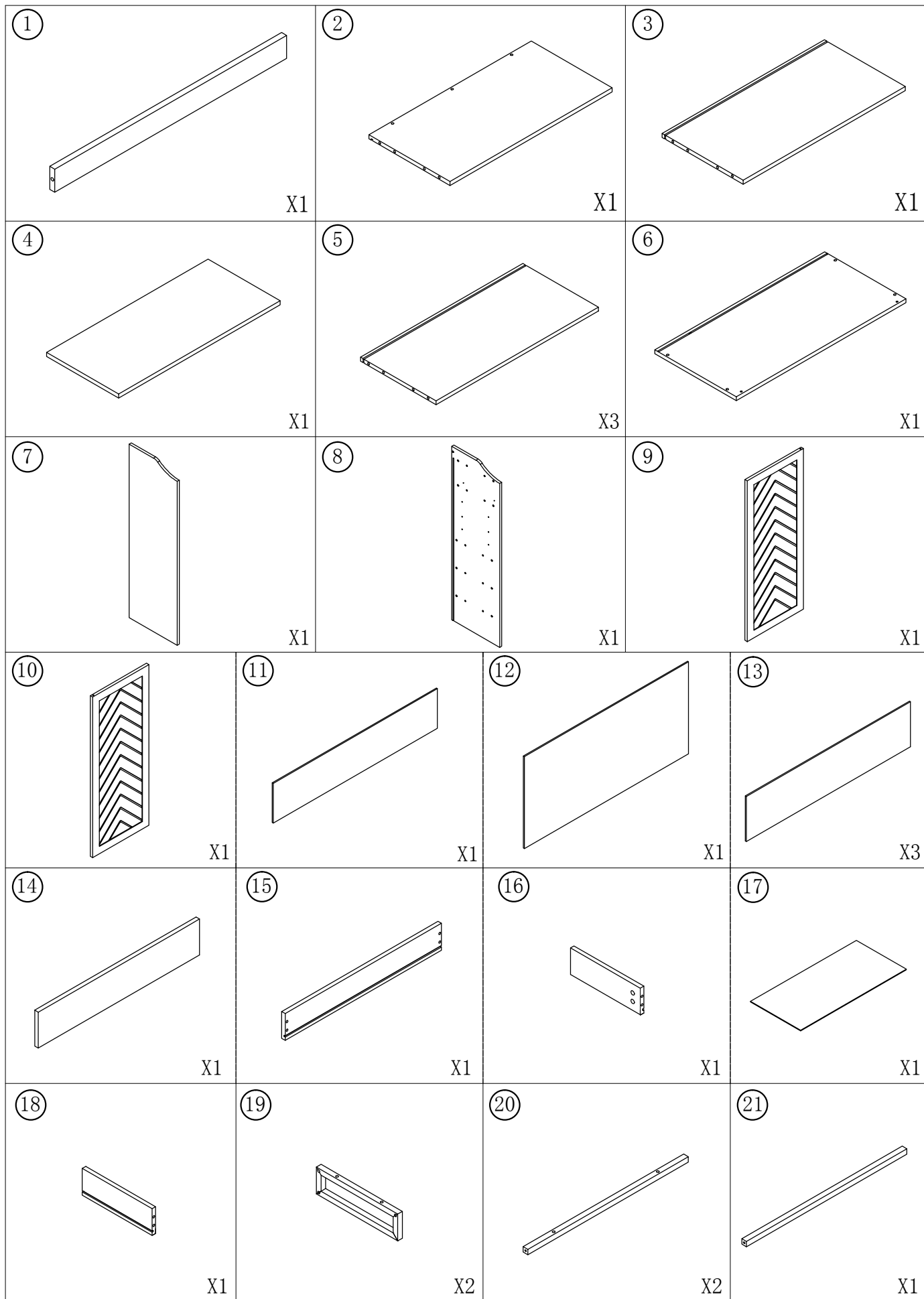
GZHL-V1

FTLFSS-6018

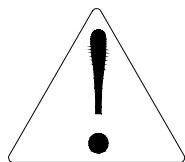




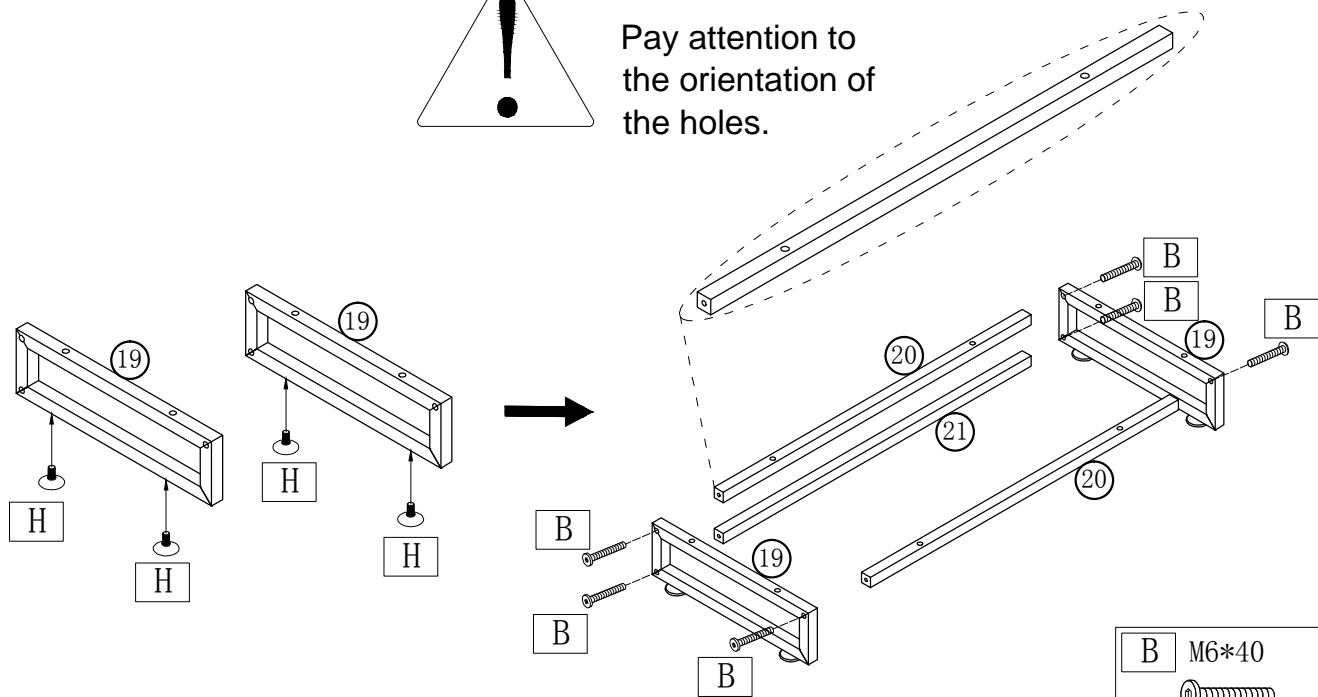
No.	PICTURE	SIZE	QTY	No.	PICTURE	SIZE	QTY
A	 	M6*30	8	J	 X1  X2	ST3.5*14	4
B	 	M6*40	6		CL  DL 	12"	1
C	 	ST7*40	8		CR  DR 	12"	1
D	 $\nabla 11$  	M6*40	26	K			4
E		8*35	23	L	    		2
F	 	ST3.5*14	16	M	 X1  X1	ST3.5*14	20
G		M6	4		 $\rightarrow 26$		1
H		M8	4		 		1
I	 X1  X4	ST3*14	2				



STEP 1

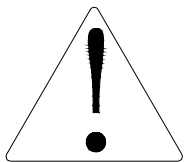


Pay attention to the orientation of the holes.

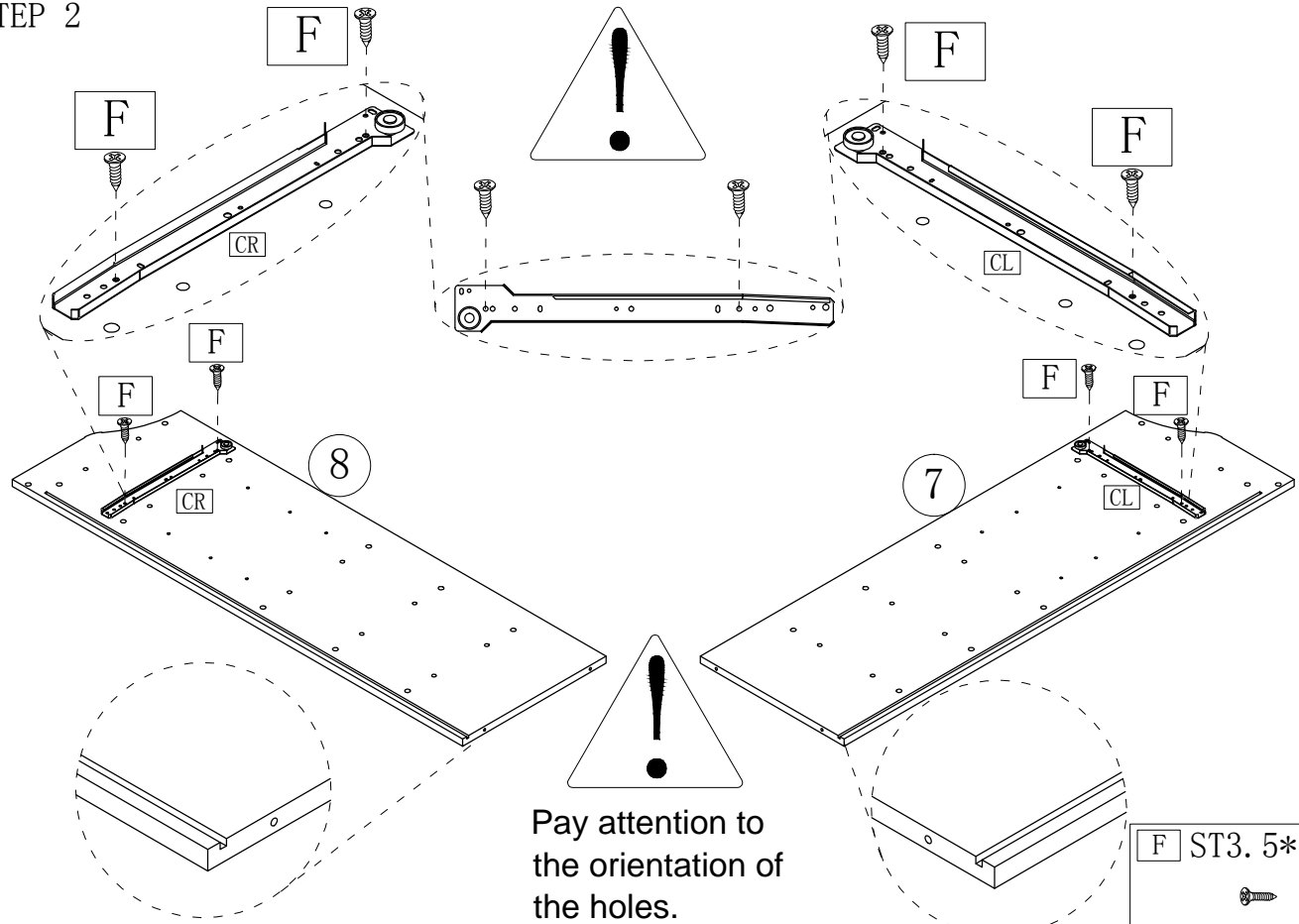


B	M6*40
	X6
H	
	X4

STEP 2

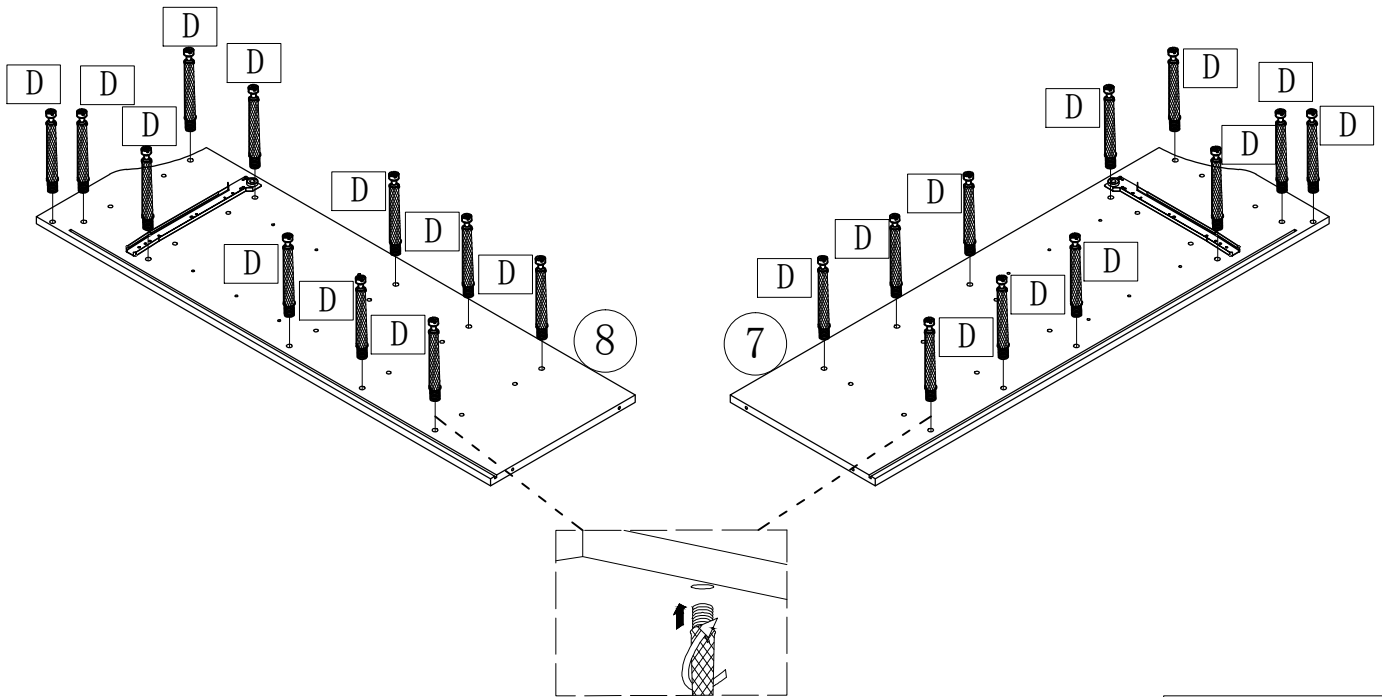



Pay attention to the orientation of the holes.



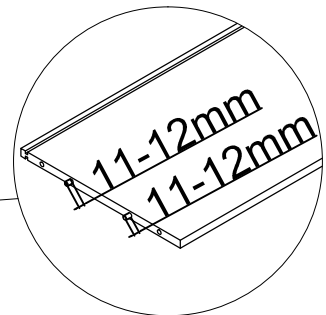
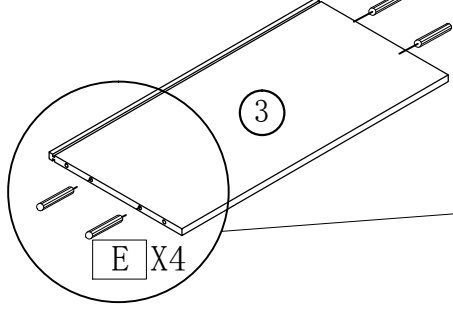
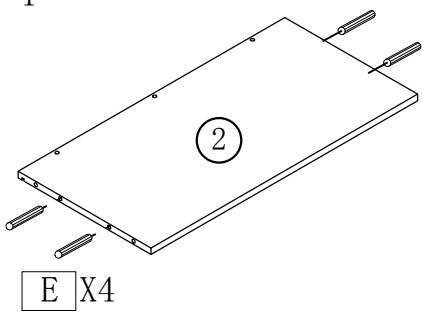
F	ST3. 5*14
	X4

STEP 3

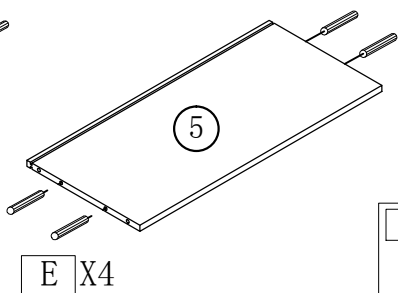
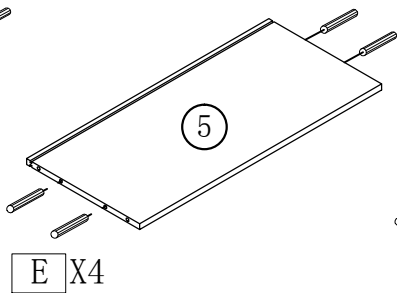
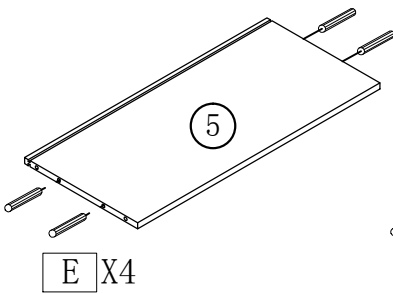



D M6*40

 X22

STEP 4

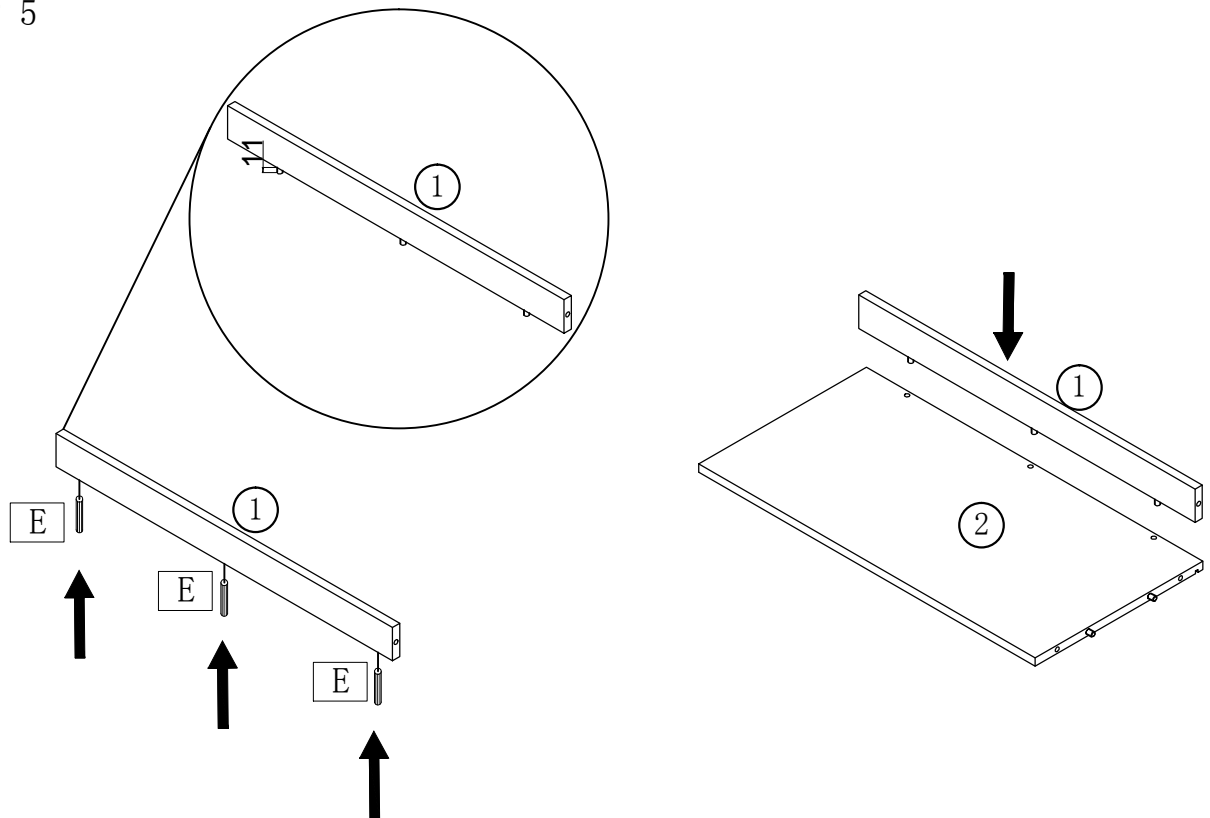


Attention: We need to drive the wooden tenon in until it is exposed by 11-12mm




E 8*35

 X20

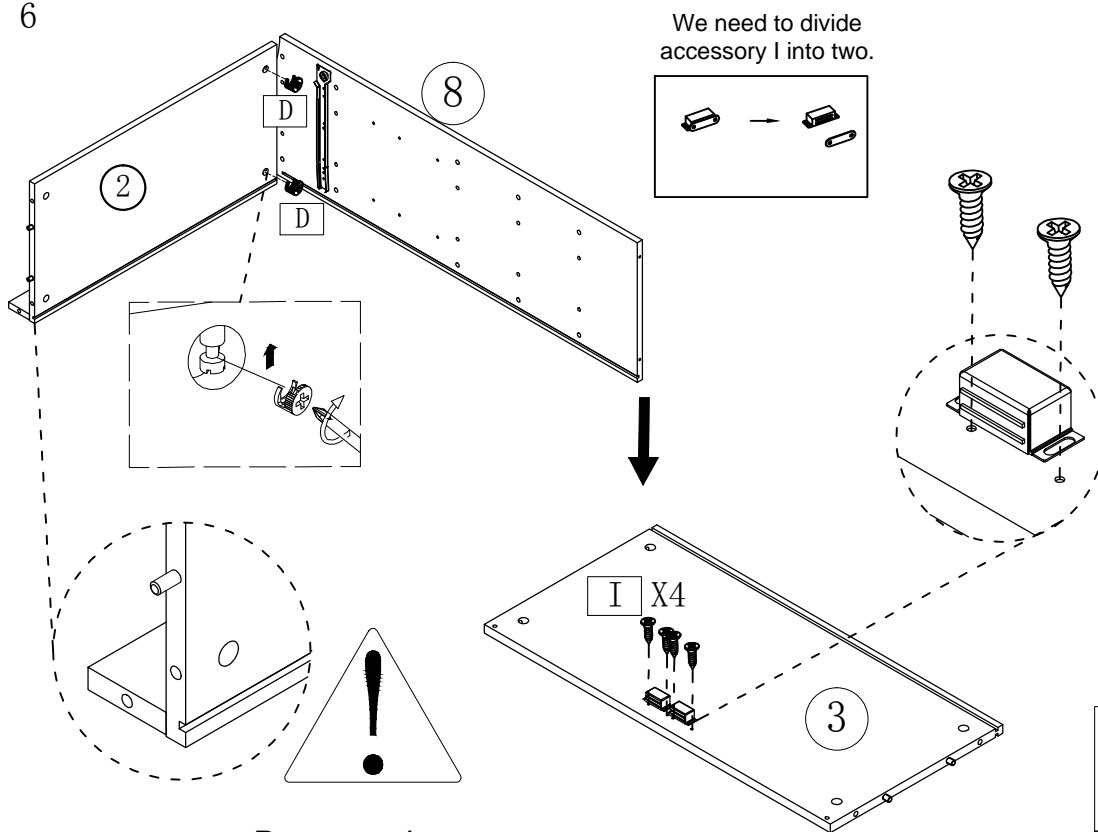
STEP 5



Attention: We need to drive the wooden tenon in until it is exposed by 11-12mm




E	8*35
	
	X3

STEP 6

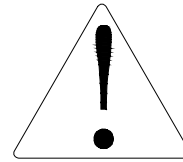
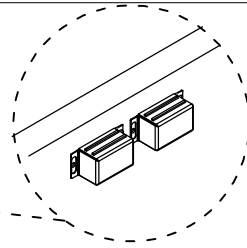
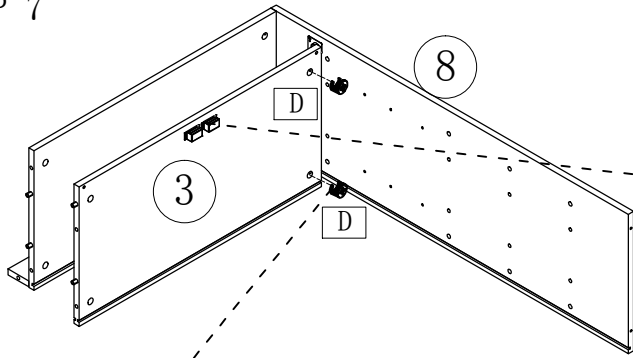


We need to divide accessory I into two.

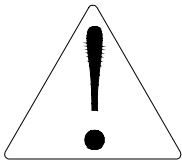
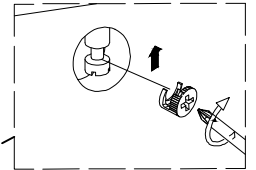
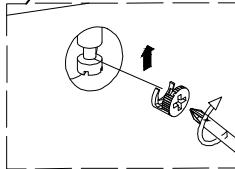
Pay attention to the orientation of the holes.

D	M6*40
	
	X2
I	ST3*12
 	
	X4 X2

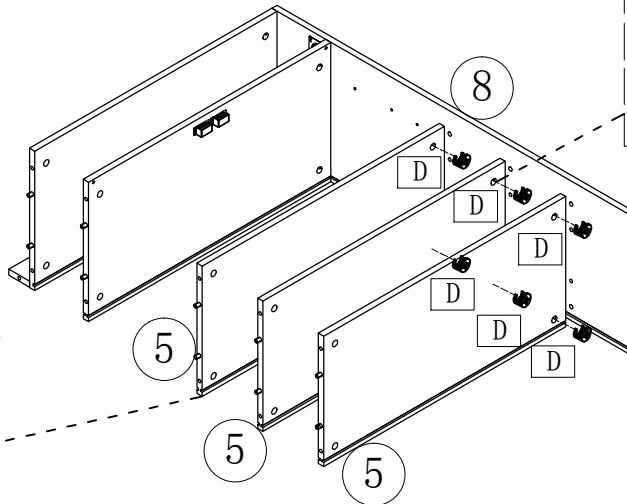
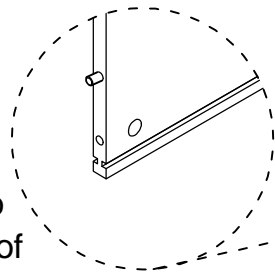
STEP 7



Pay attention to the orientation of the holes.

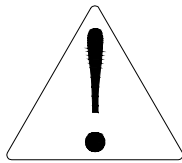
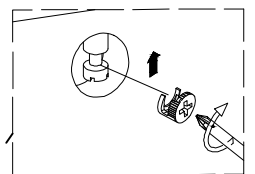
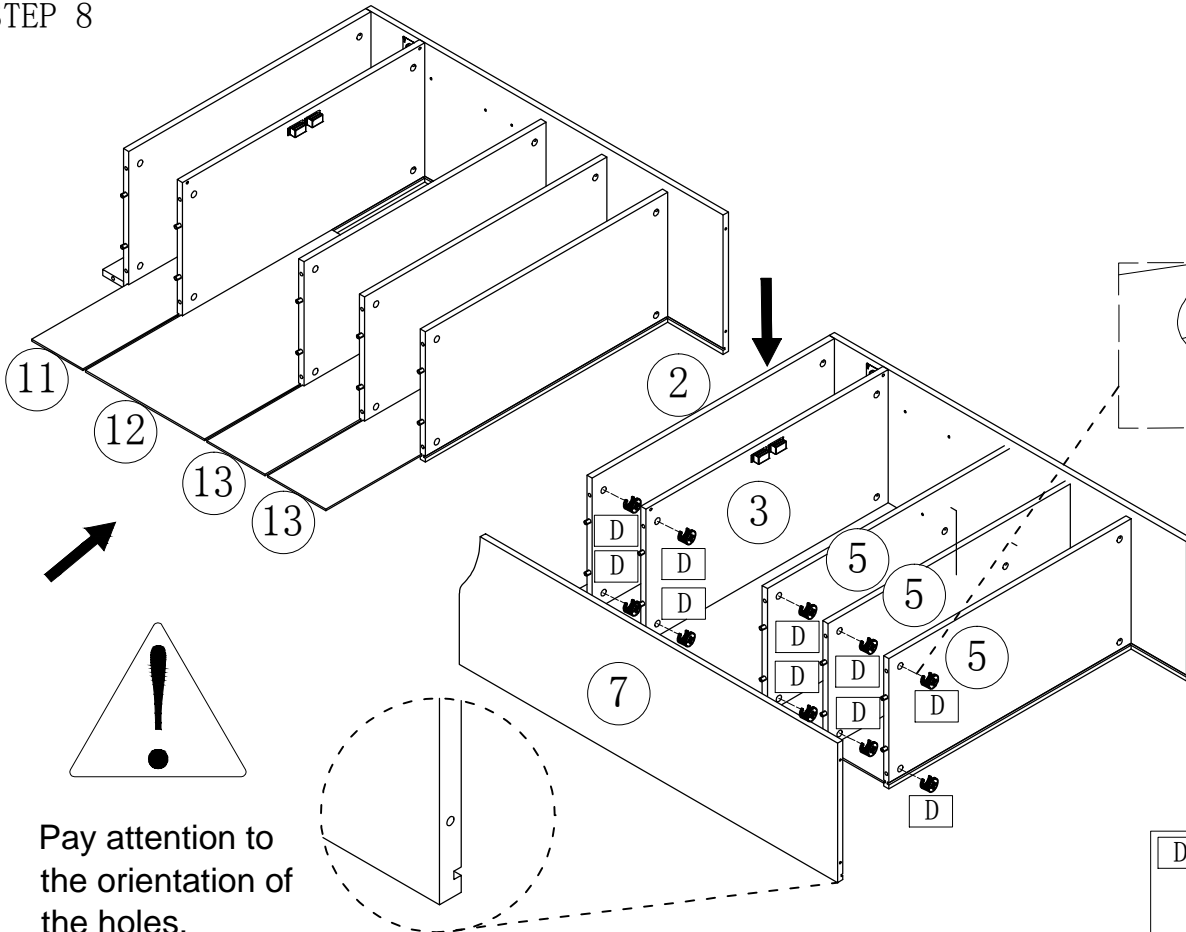


Pay attention to the orientation of the holes.



D	M6*40
	X8

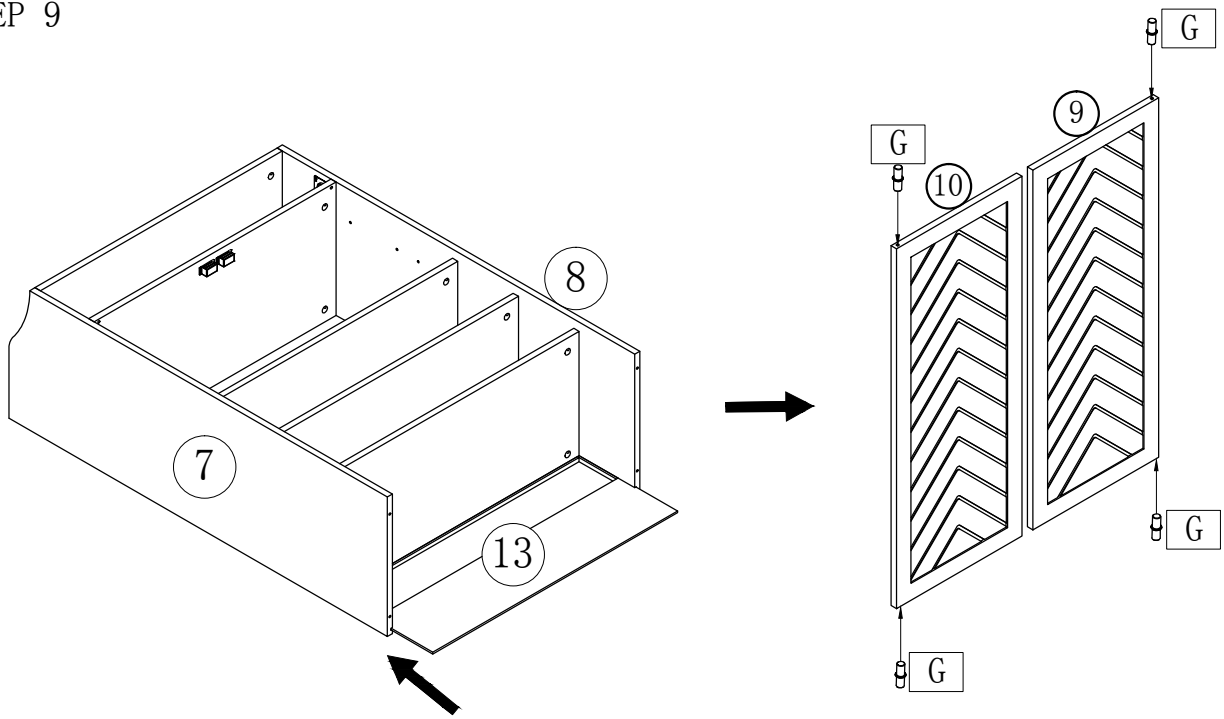
STEP 8




Pay attention to the orientation of the holes.

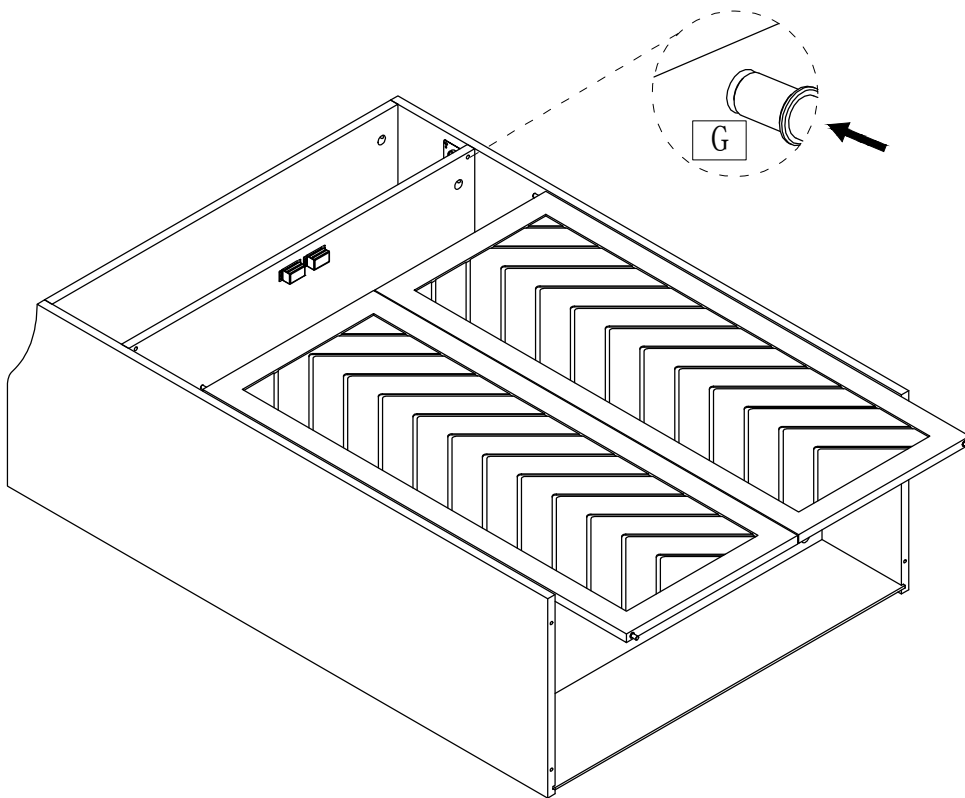
D	M6*40
	X10

STEP 9

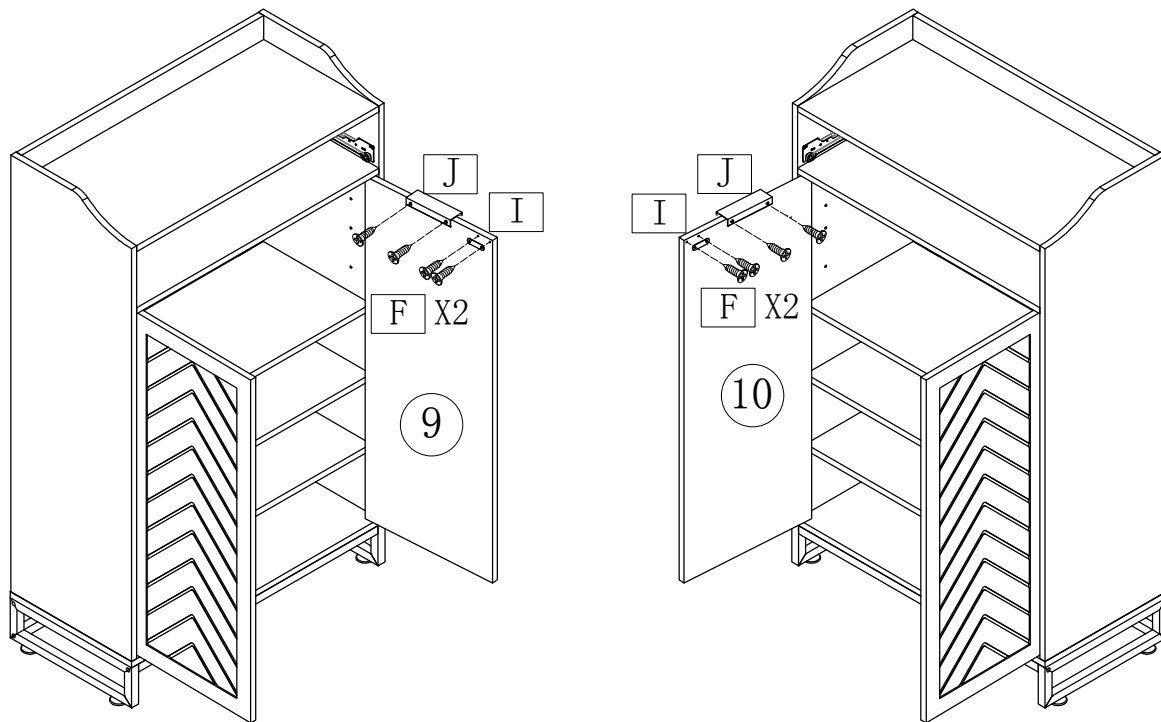






G	M6
	
	X4

STEP 10

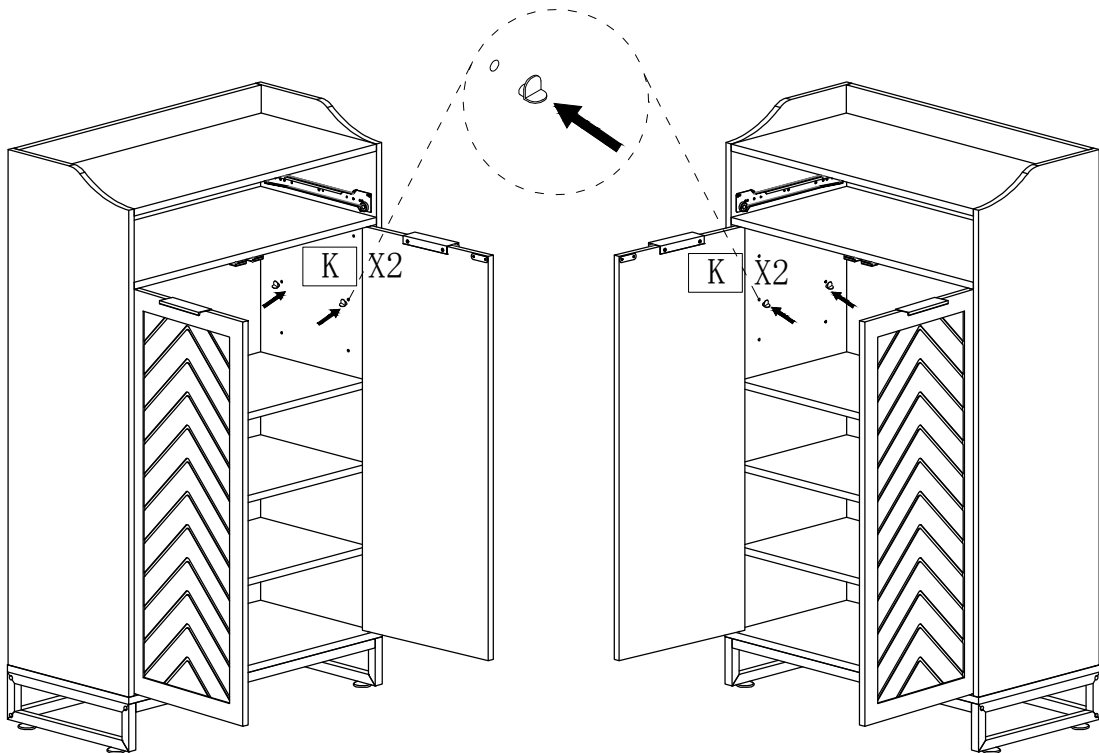



STEP 13



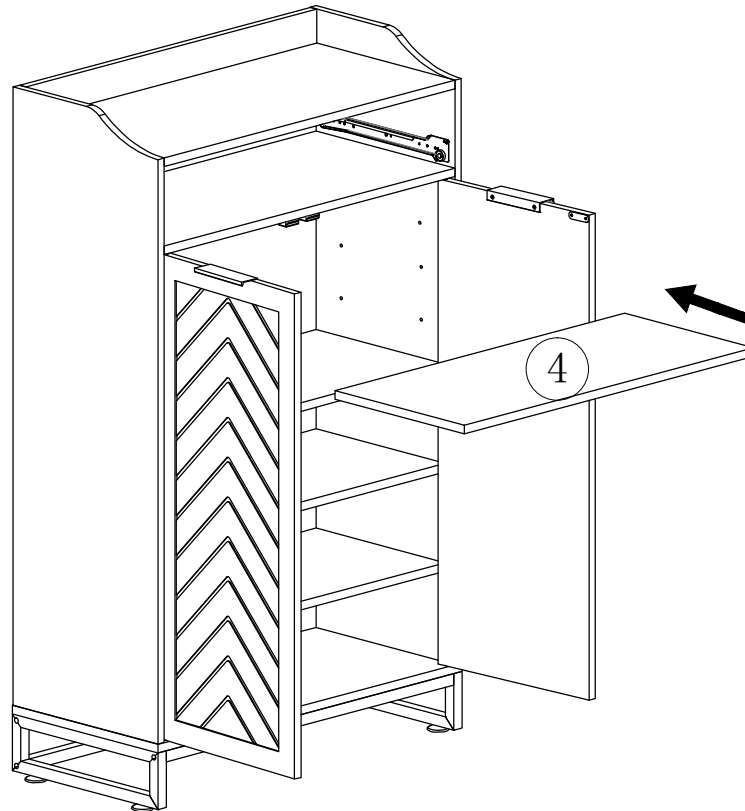
I	ST3*12	J	ST3*14
			
X4	X2	X4	X2

STEP 14

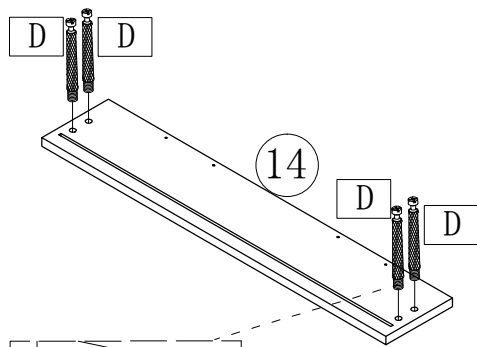


8	M5
	
	X4

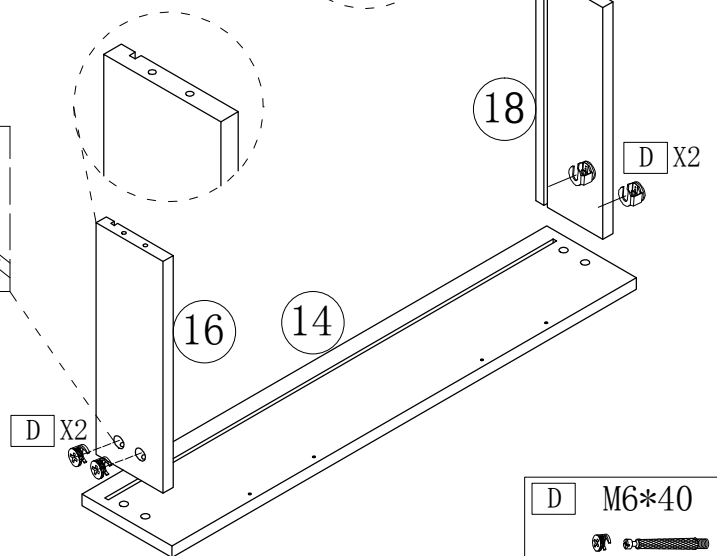
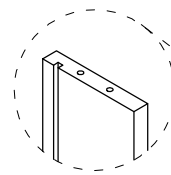
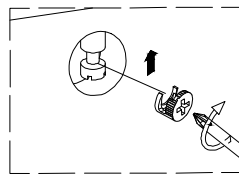
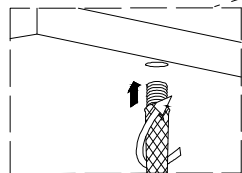
STEP 15




STEP 16

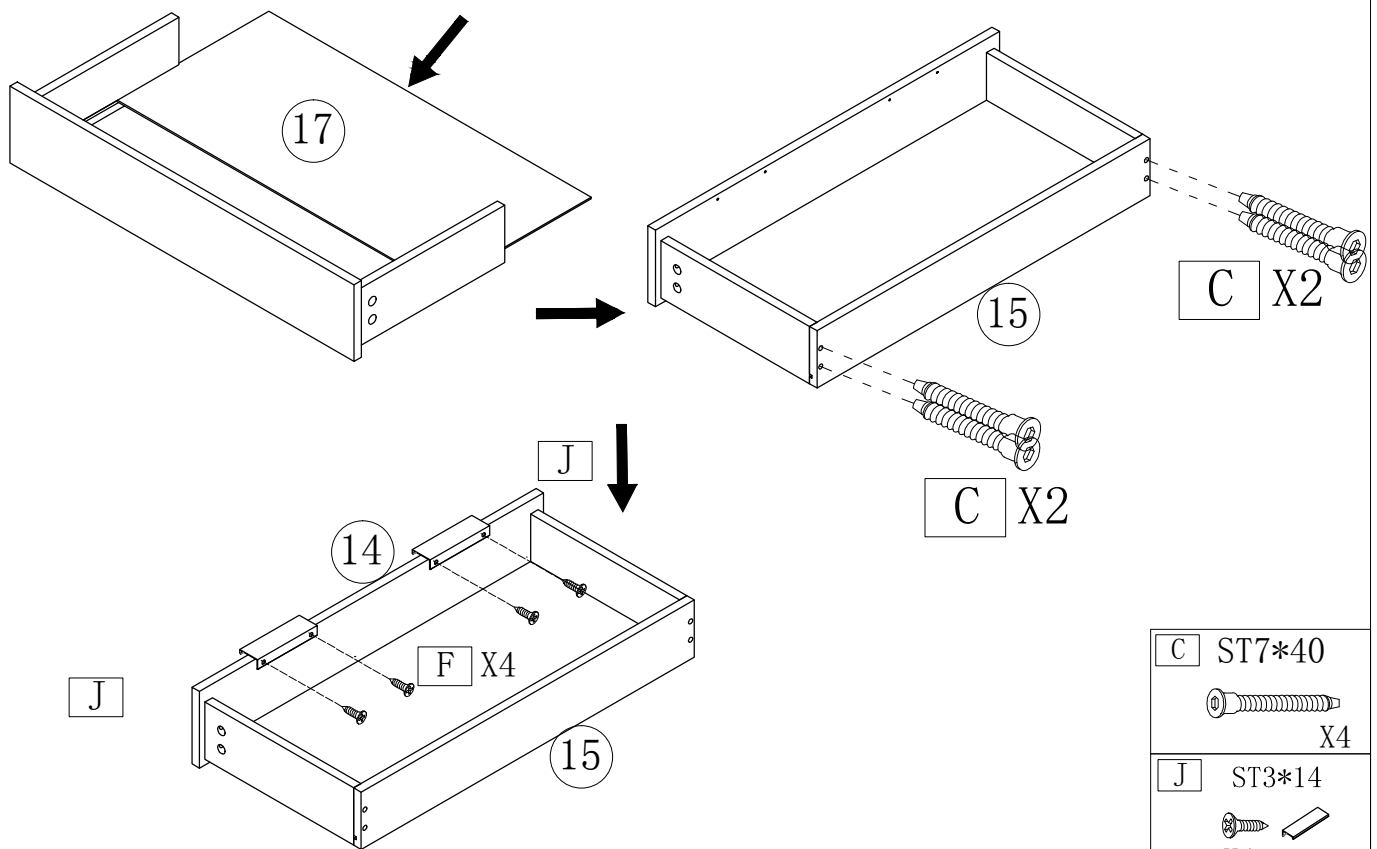





Pay attention to the orientation of the holes.



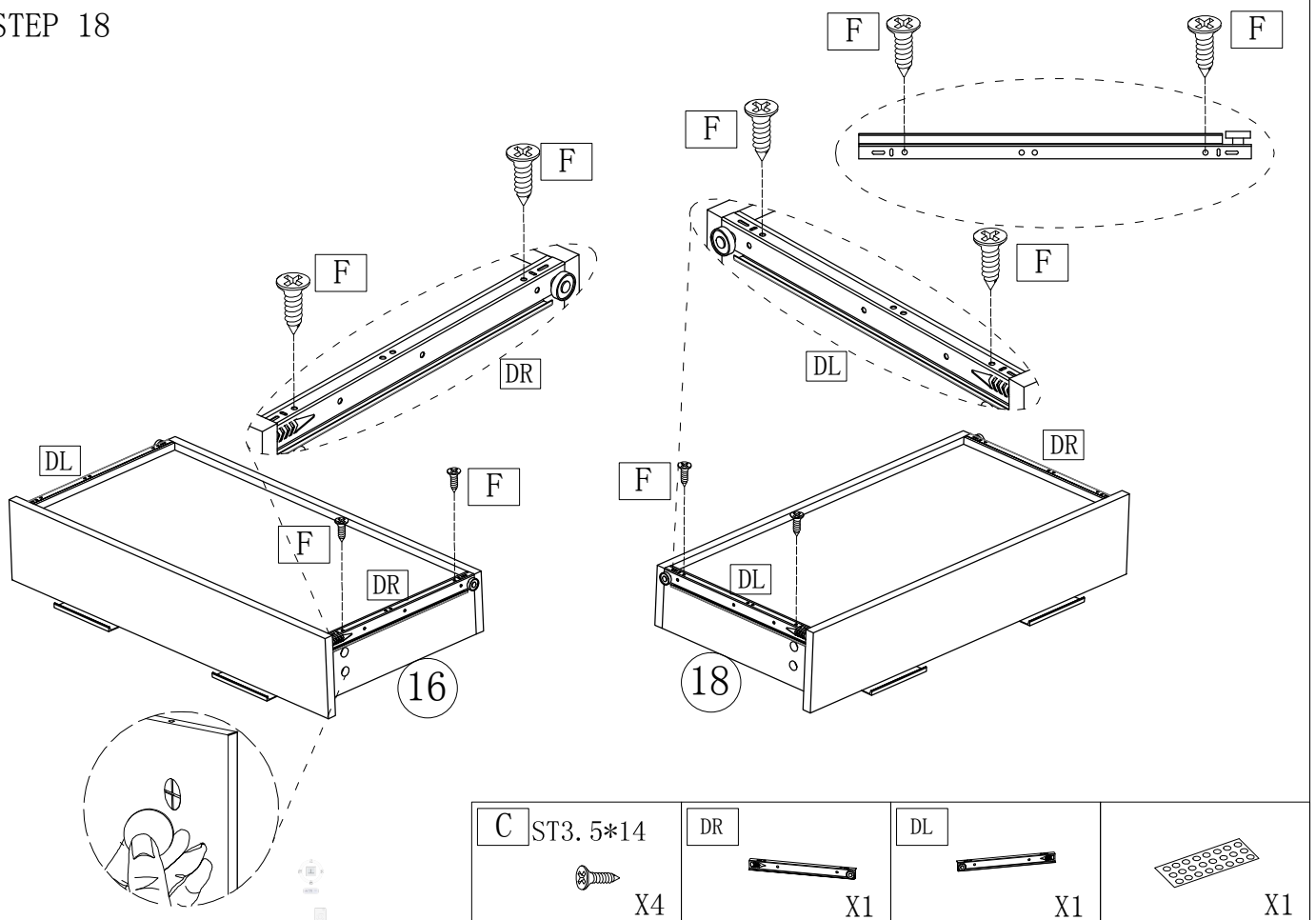
D M6*40

X4

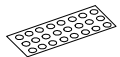



STEP 17



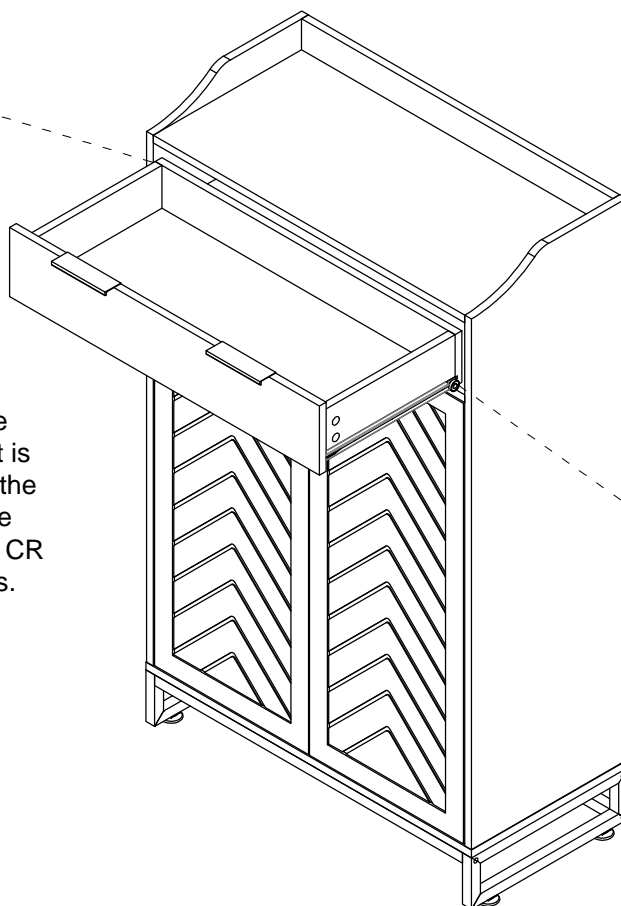
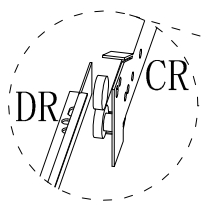
C	ST7*40
	X4
J	ST3*14
	X4
	X2

STEP 18

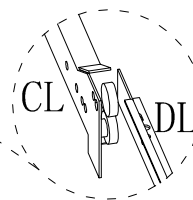


C	ST3.5*14	DR	DL	
	X4			X1
		X1	X1	X1

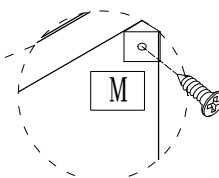
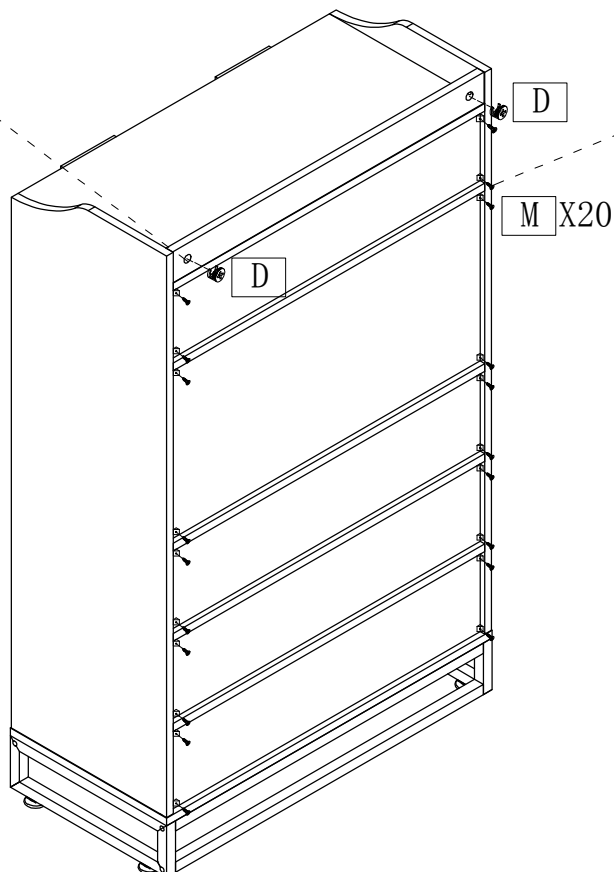
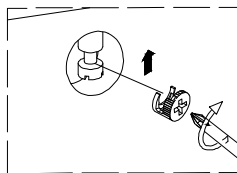
STEP 19



Note that when the drawer is installed, it is inclined upward and the bottom wheel of the drawer is stuck in the CR and CL rail grooves.

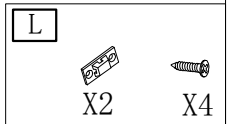
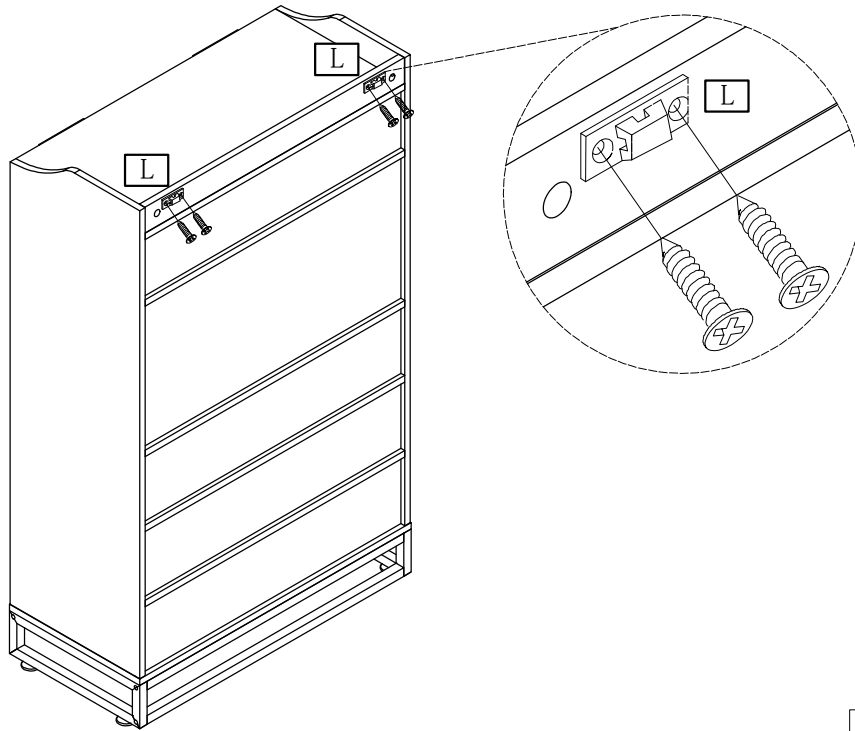


STEP 20

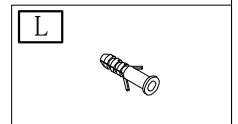
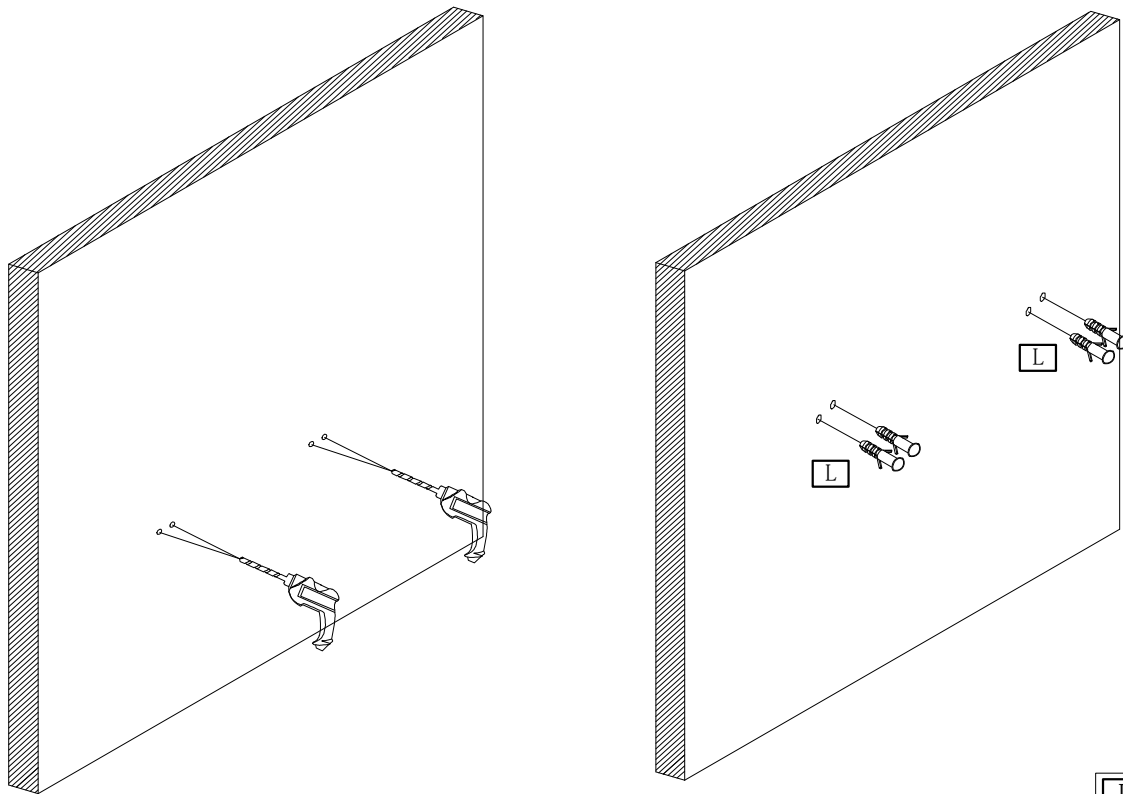


D	M6*40
	X2
M	ST3.5*14
	X20

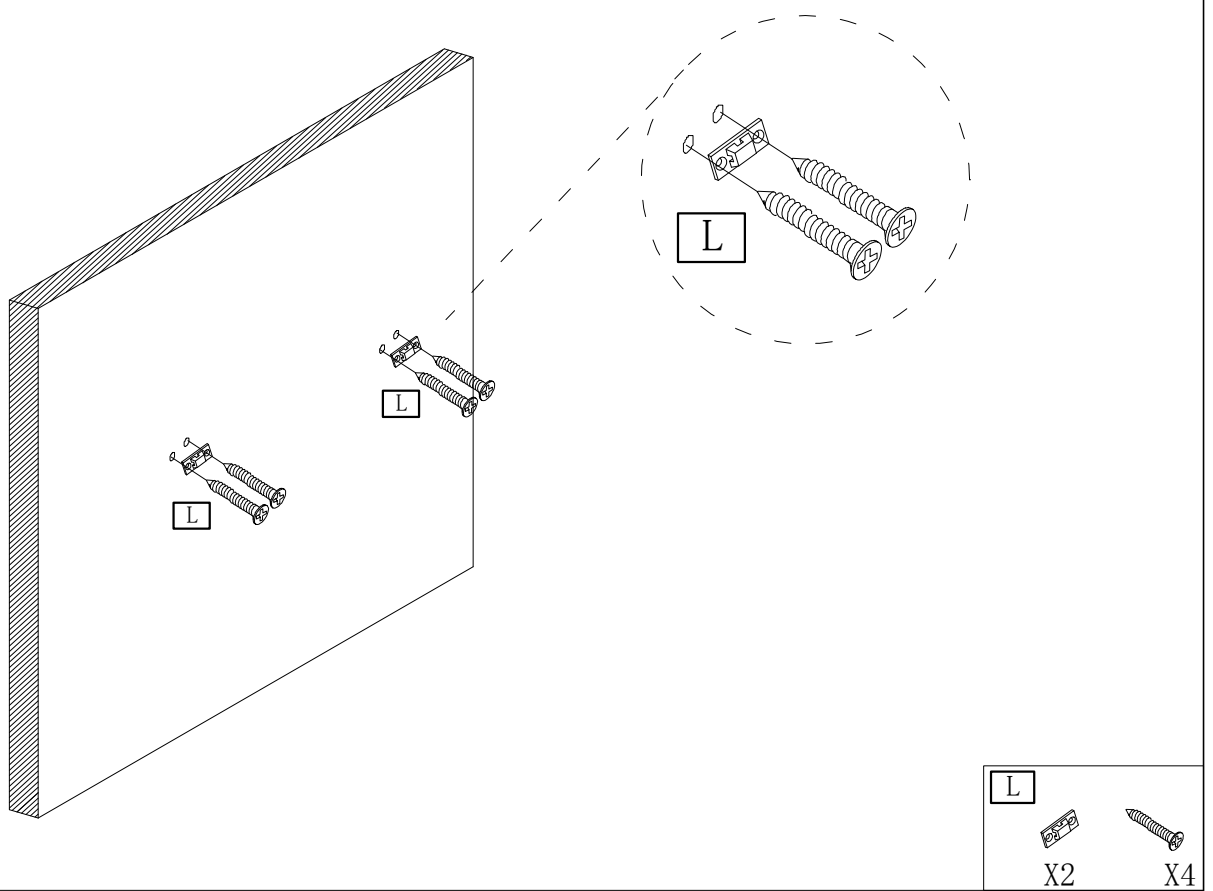
STEP 21



STEP 22



STEP 23



STEP 24

