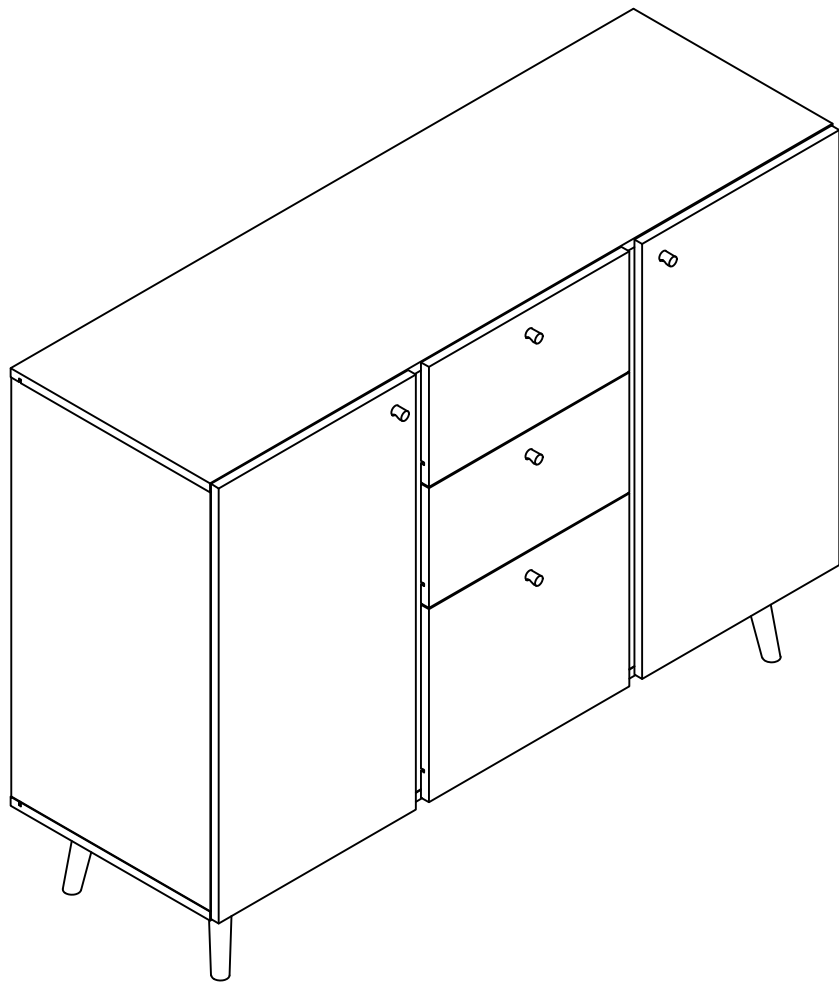
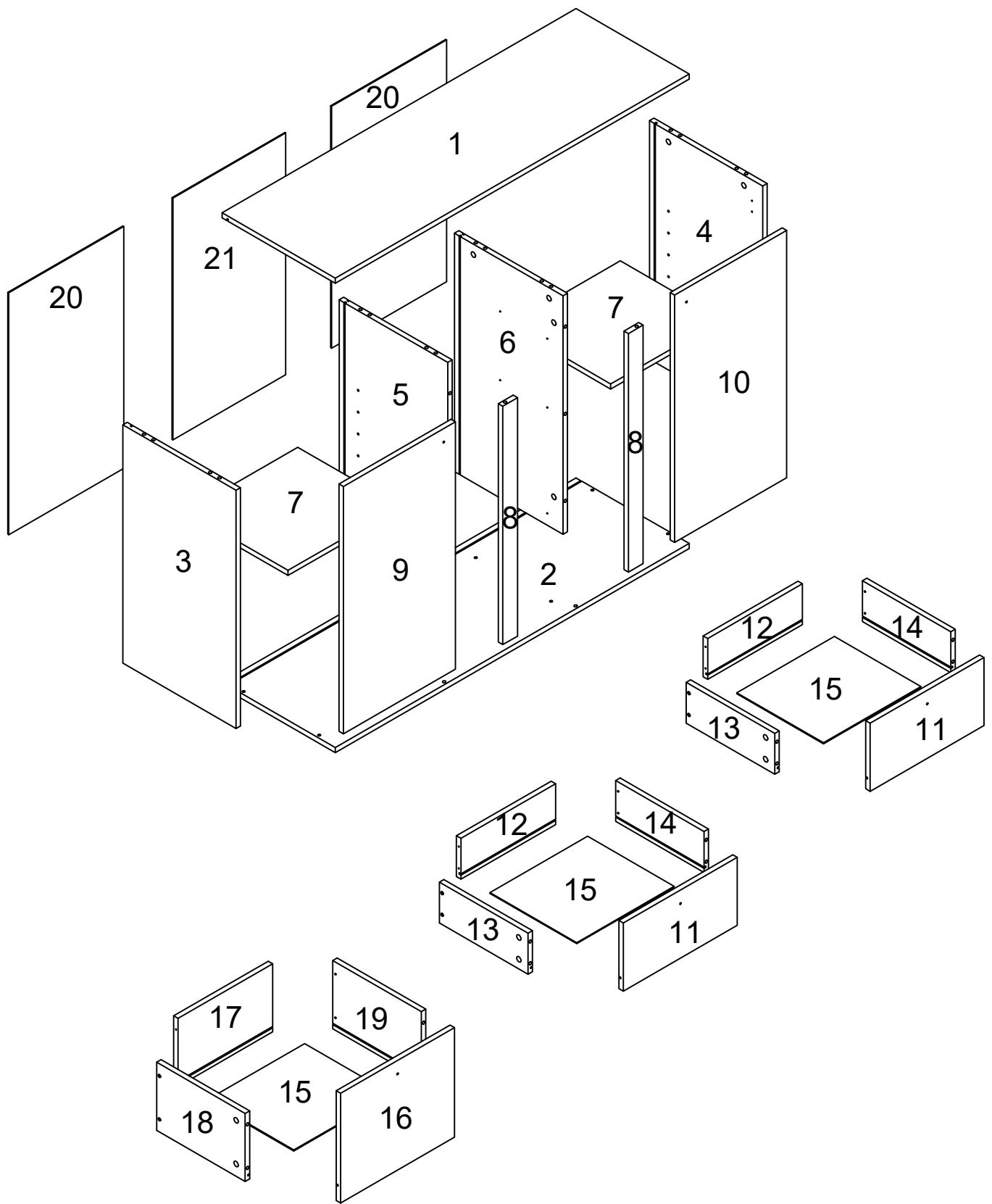
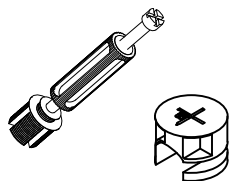


# Installation & Assembly



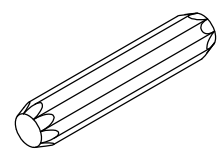


**A**



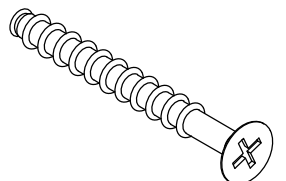
24PCS

**B** 8\*40



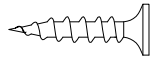
14PCS

**C** 7\*50



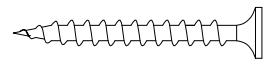
8PCS

**D** 3.5\*14



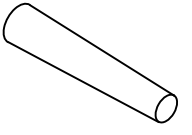
73PCS

**E** 3.5\*35



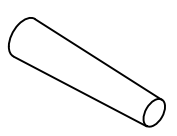
12PCS

**F** 150mm



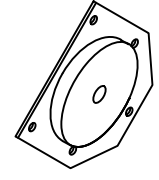
4PCS

**G** 145mm



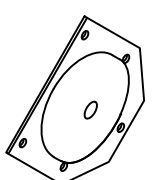
1PCS

**H**



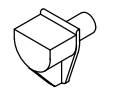
4PCS

**I**



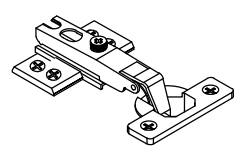
1PCS

**J**



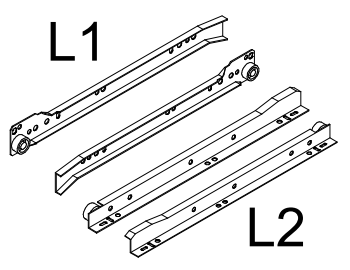
8PCS

**K**




4PCS

**L** 300mm




3PCS

**M**



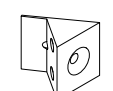
5PCS

**N** 4\*20



5PCS

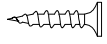
**O**



18PCS

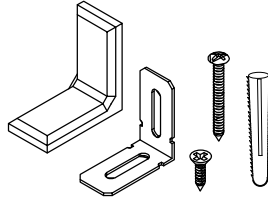
**P**

3\*12



18PCS

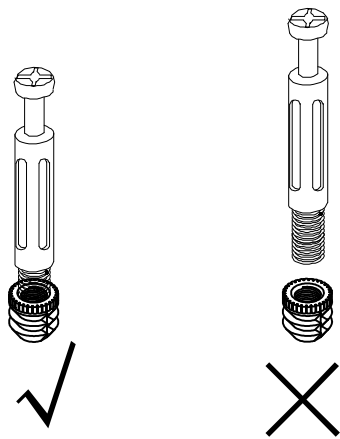
**Q**



2PCS

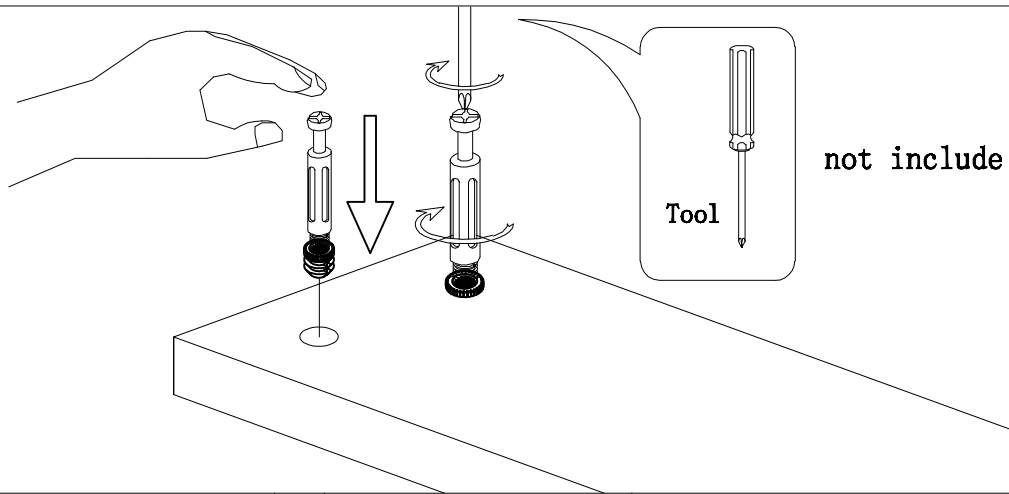
# "A" Hardware installation example

I

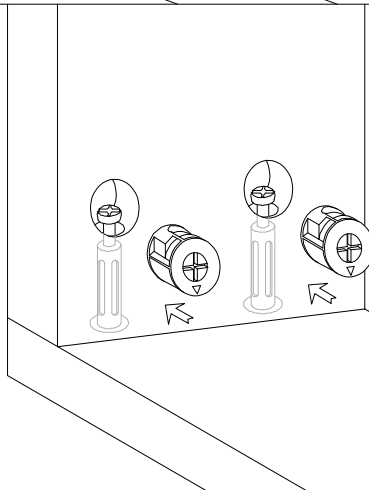


This part cannot be separated,  
please install in strict  
accordance with the assembly  
requirements

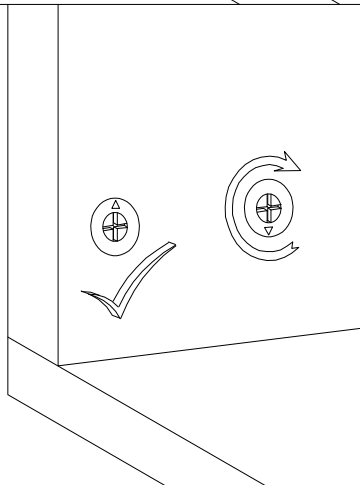
II



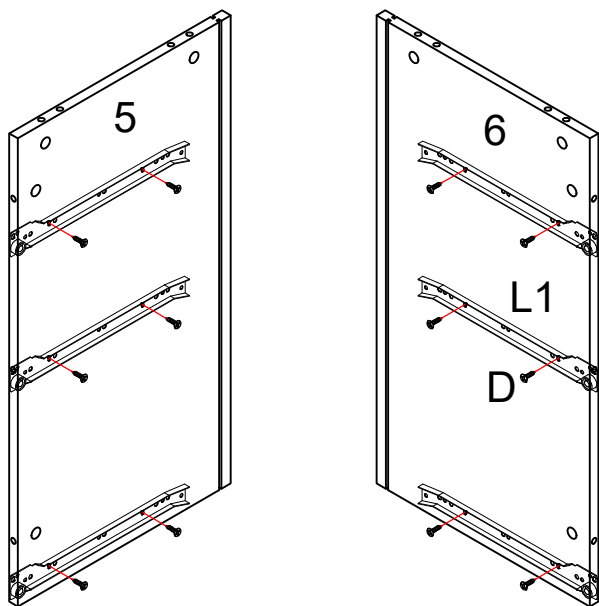
III

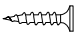
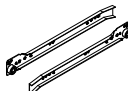


IV

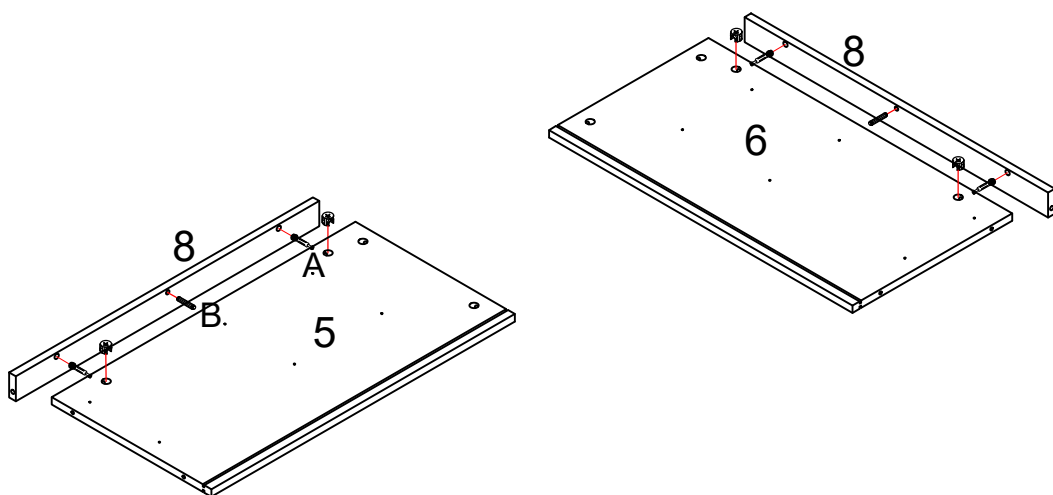



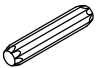
# STEP 1



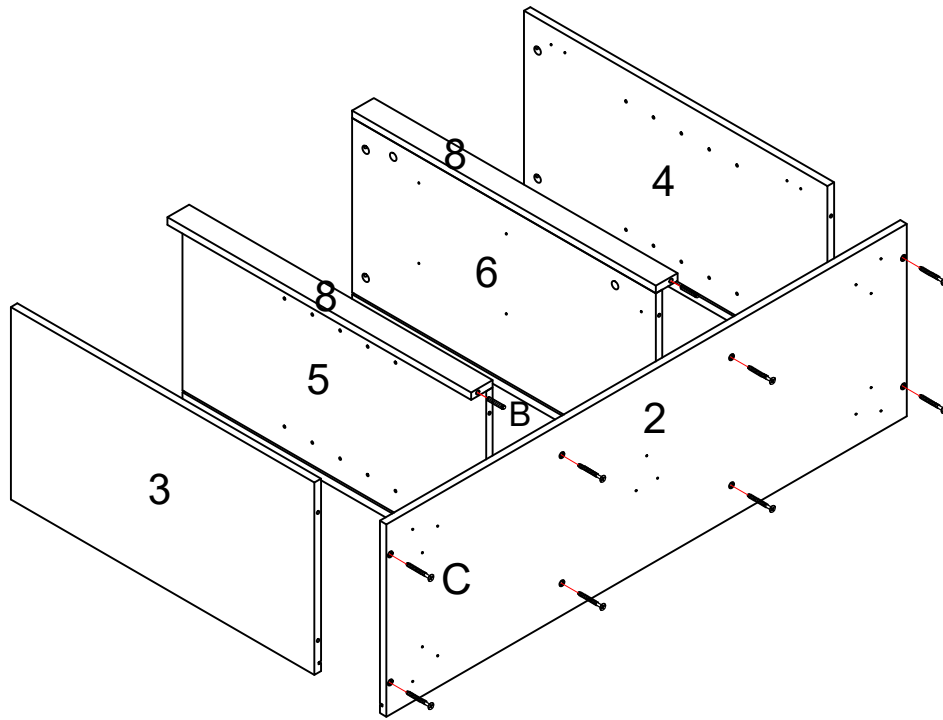
	D*12
	L1*3

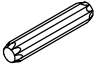
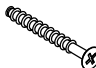
# STEP 2



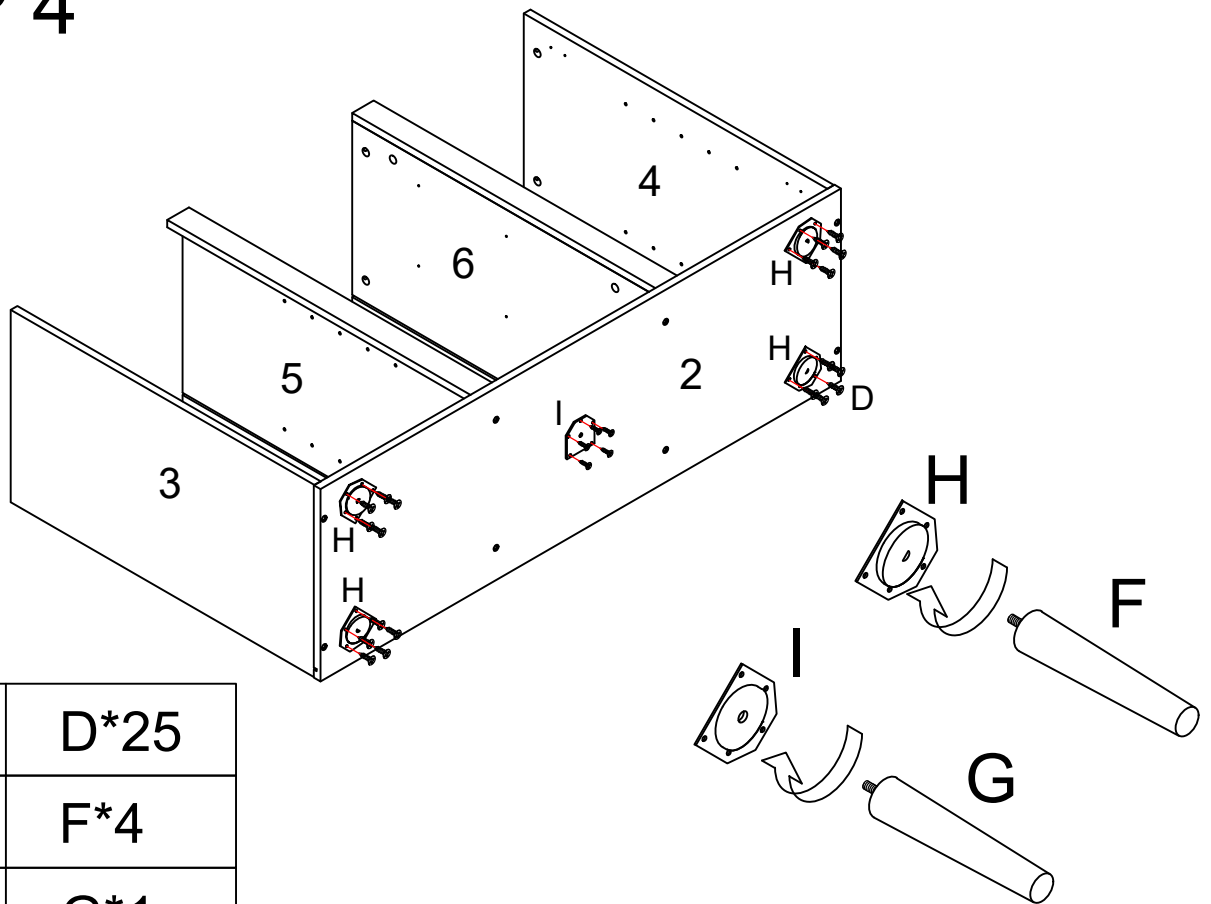
	A*4
	B*2

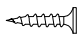
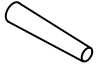
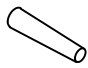


# STEP 3



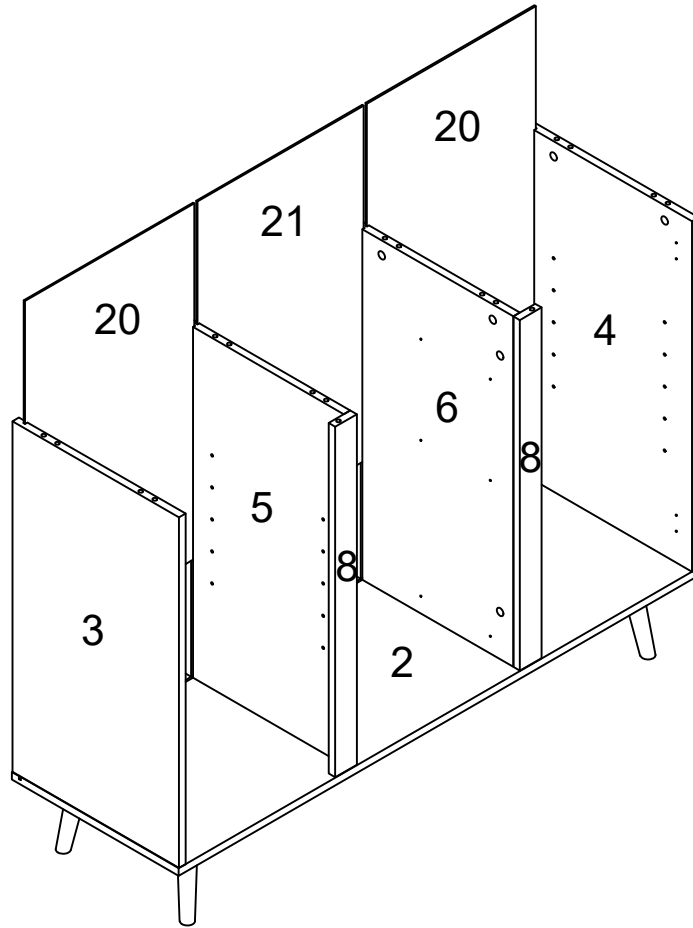
	B*2
	C*8

# STEP 4

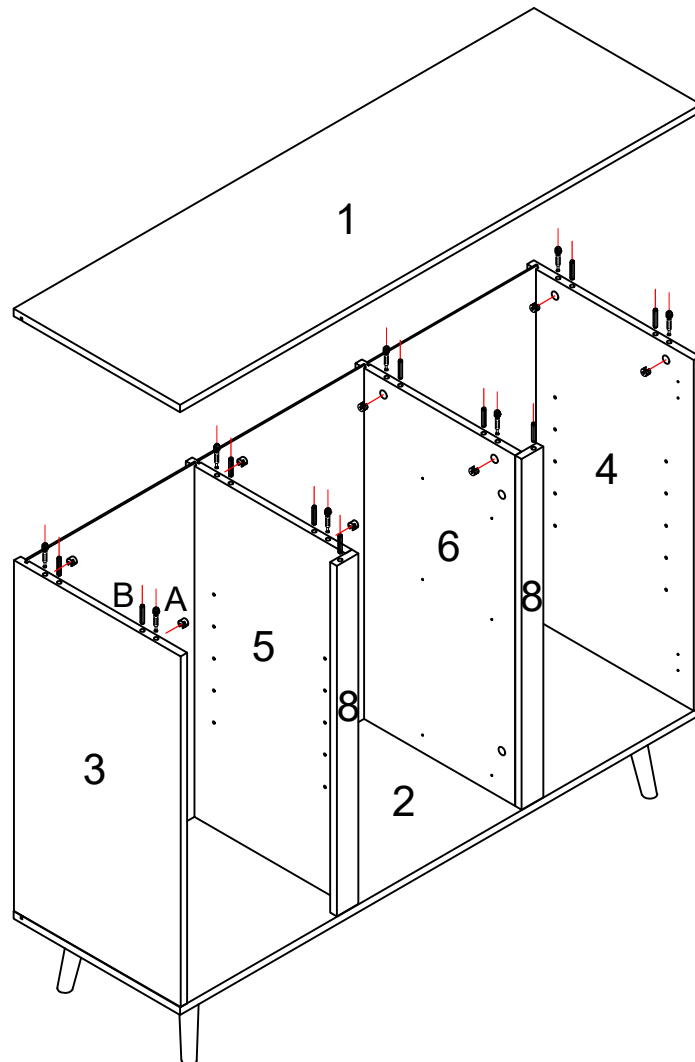


	D*25		
	F*4		
	G*1		
	H*4		I*1

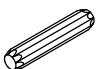
# STEP 5



# STEP 6

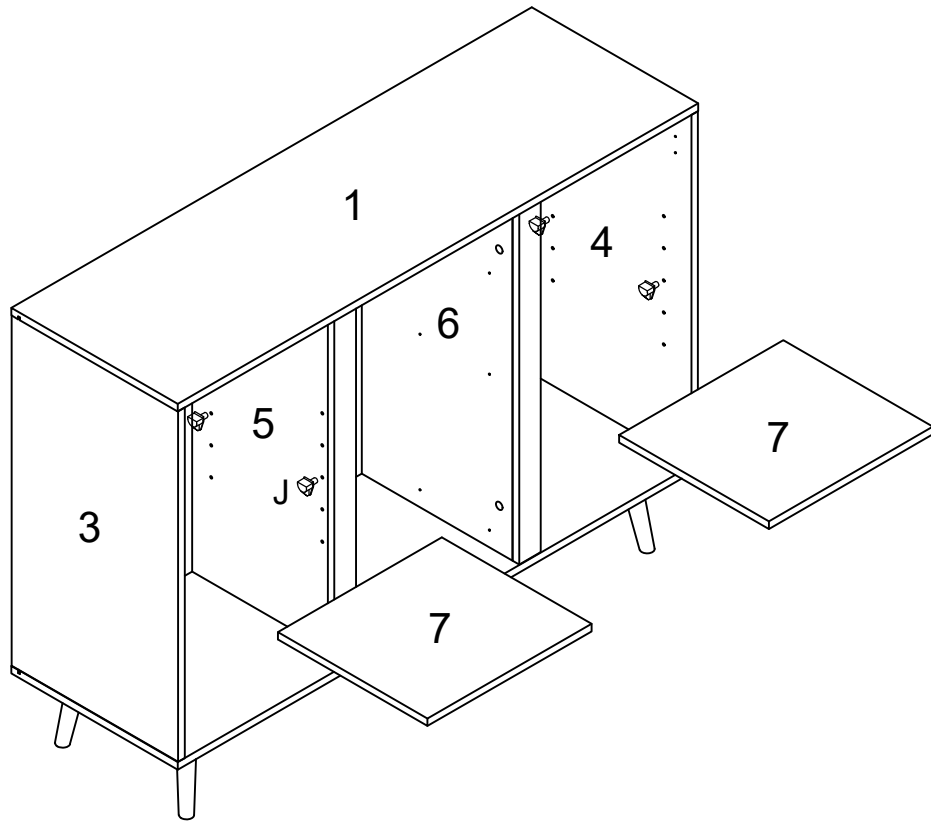


A\*8



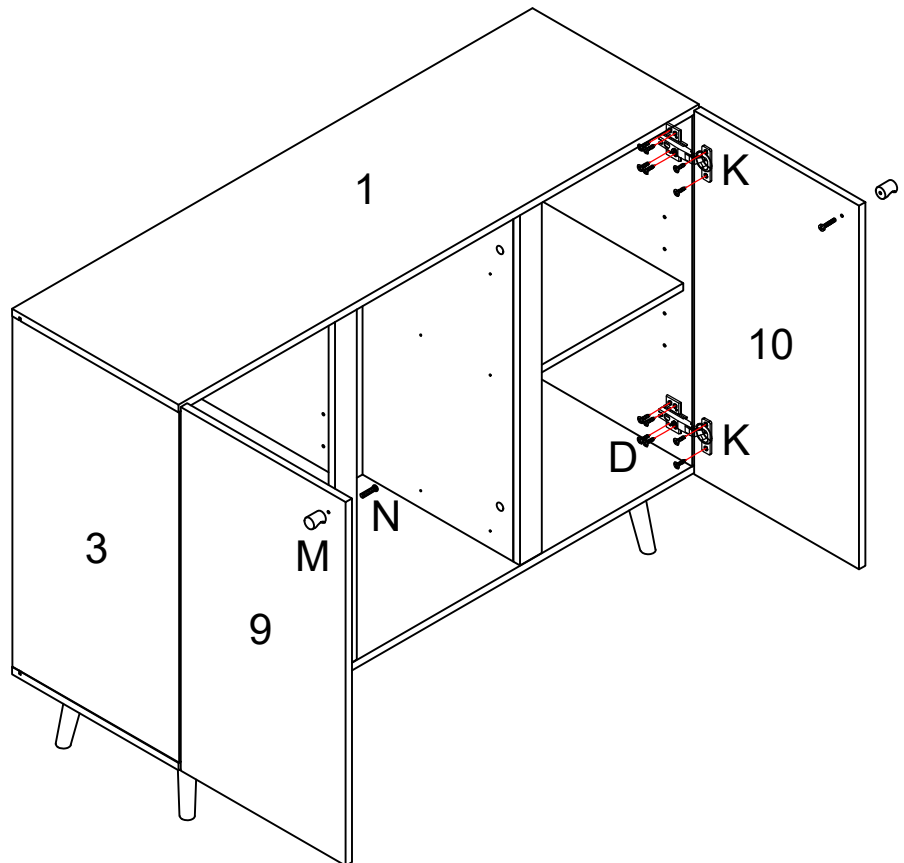
B\*10

# STEP 7

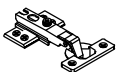


J\*8

# STEP 8



D\*24



K\*4



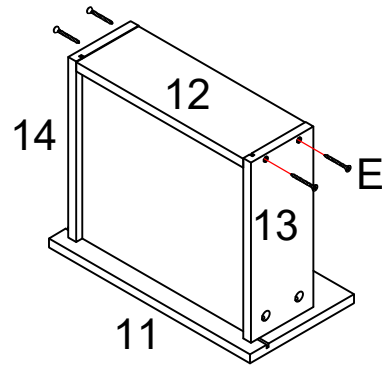
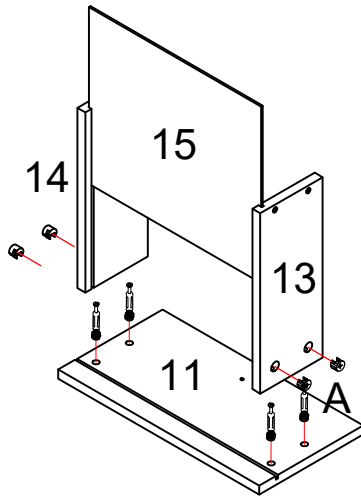
M\*2


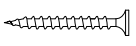


N\*2

# STEP 9

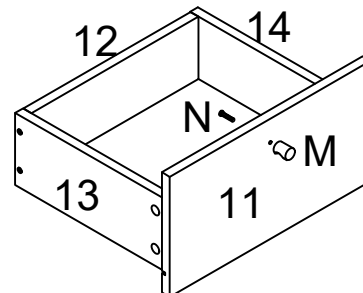
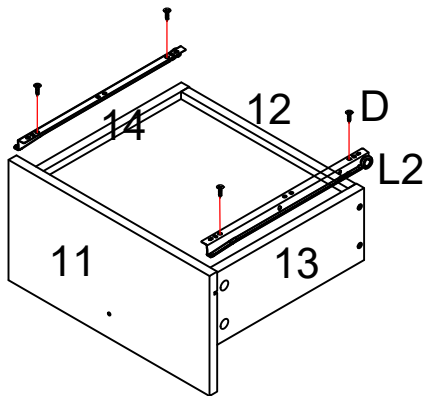
# X2

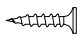
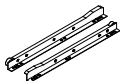




	A*8
	E*8

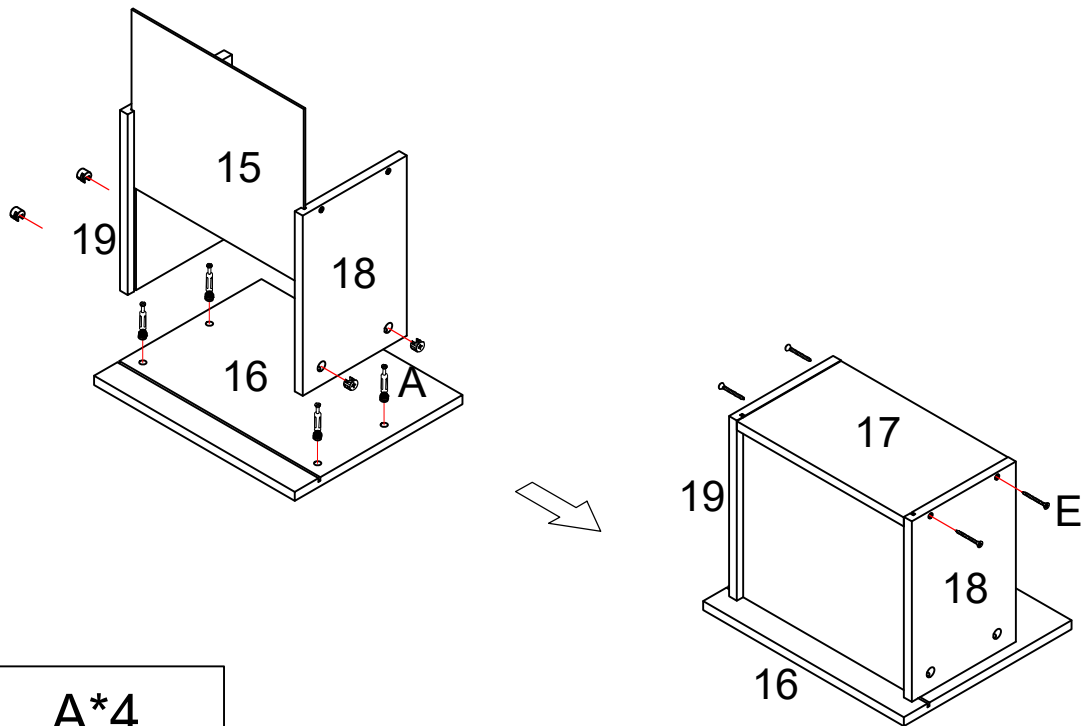
# STEP 10


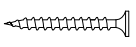
# X2



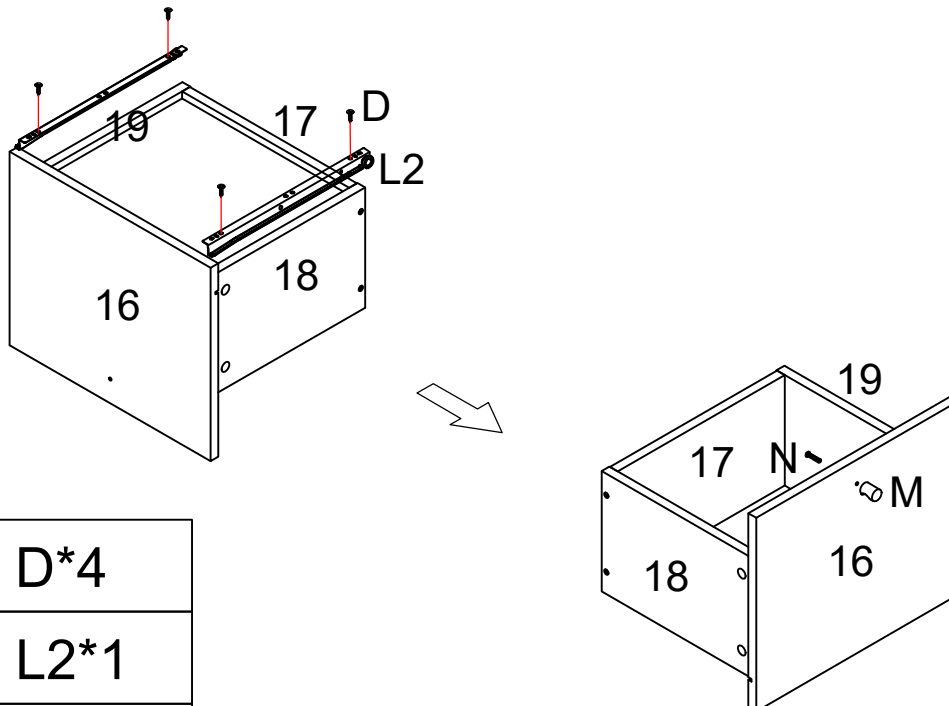
	D*8
	L2*2
	M*2
	N*2

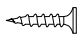
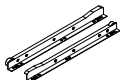


# STEP 11



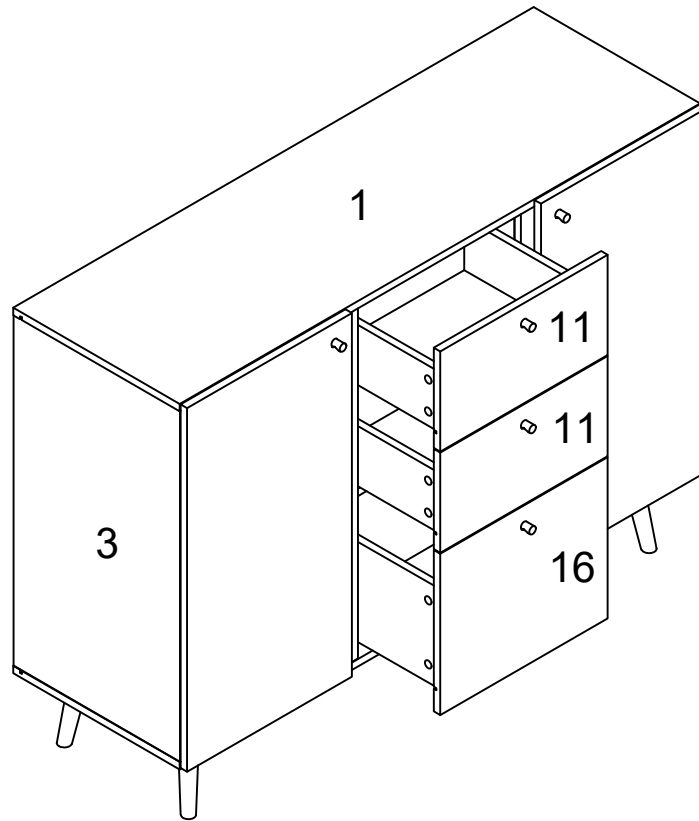
	A*4
	E*4

# STEP 12

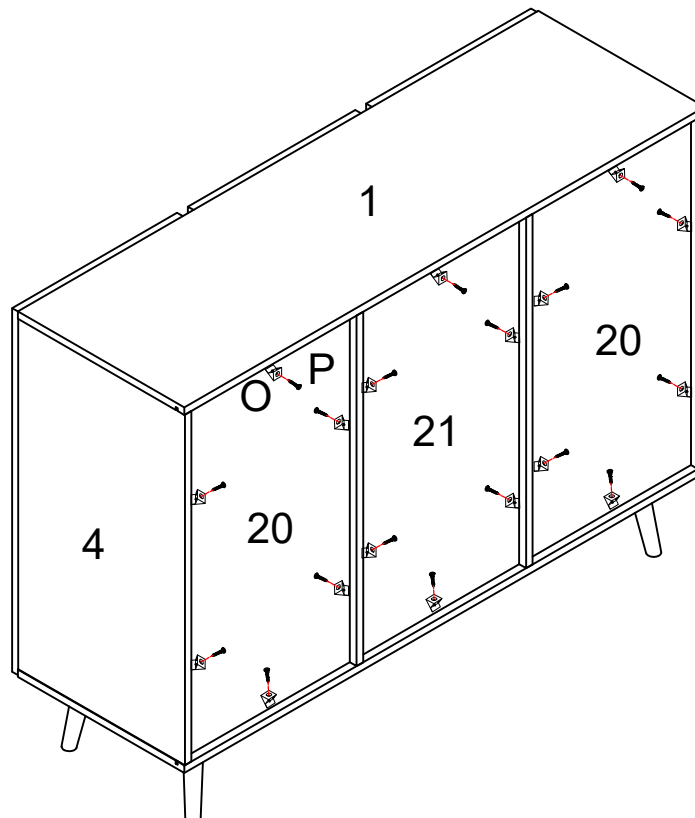


	D*4
	L2*1
	M*1
	N*1

# STEP 13



# STEP 14

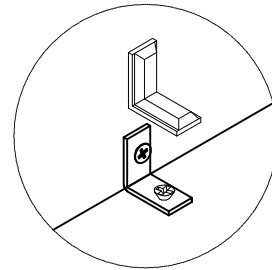
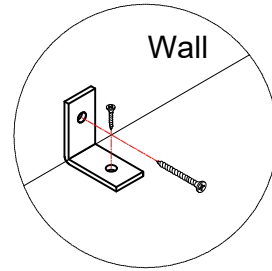
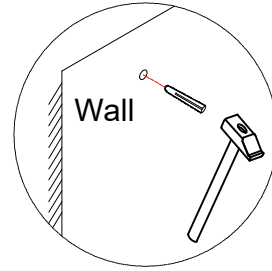
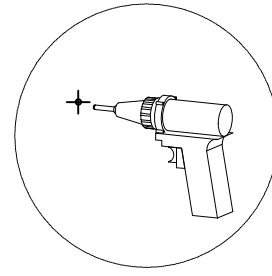
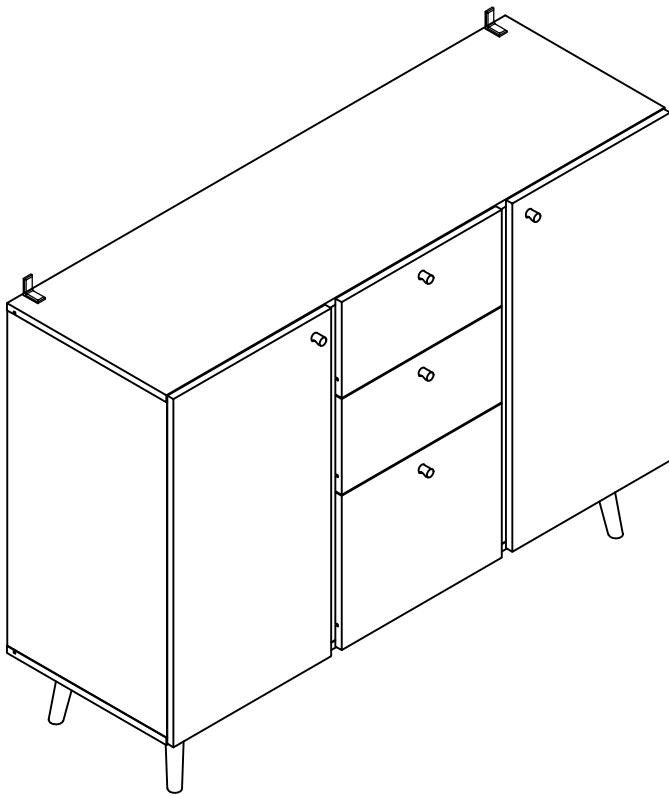


O\*18



P\*18

# STEP 15



Please install tip-proof fitting.



Q\*2