

说明书正面和背面，

颜色：单色K

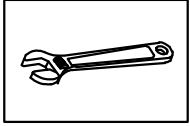
尺寸：210x297mm (A4)

材质：普通打印纸（若量多印刷即采用100g双胶纸）

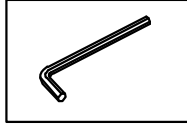
21.7.21

# Wall Mounted Bathtub Faucet Installation

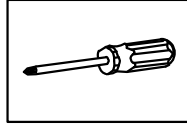
## INSTALLATION MANUAL Tools You will need



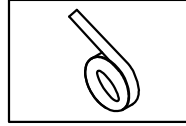
Adjustable Wrench



Allen key



Philips Screwdriver



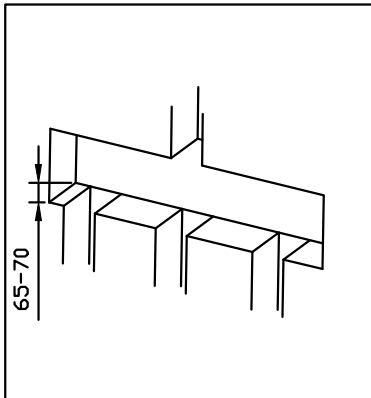
Teflon Tape

### Before the Installation

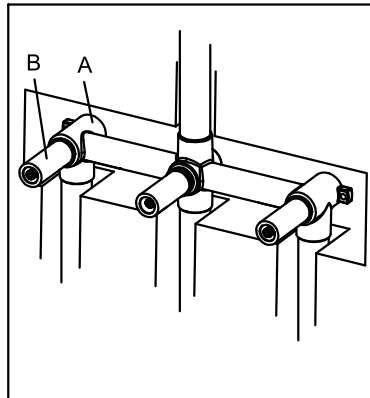
1. Check the package and confirm all parts are included. If any part is missing or damaged, please contact us.
2. Do not disassemble the main body, as it has been installed & commissioned correctly & precisely before leaving the factory.
3. Shut off the main water supply prior to beginning installation.
4. Do flush the water supply lines to remove any dirt and debris before installation (**IMPORTANT**).
5. Make sure to connect the hot/cold inlet pipe correctly. If standing in front, connect hot water pipe to the left and cold water pipe to the right.
6. After the installation, check for leaks and make sure every joint is safely sealed.

### Cleaning and Maintenance

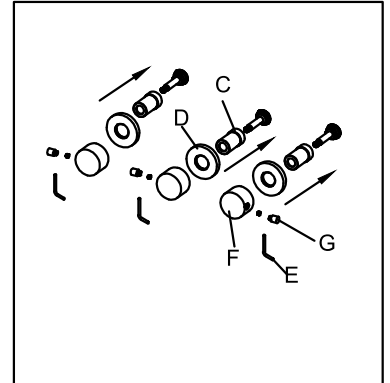
1. Rinse with clean water and dry with a soft cloth.
2. Do not use any detergent, acid, polisher, abrasives, or harsh cleaners.
3. Do not use cloth with a coarse surface.



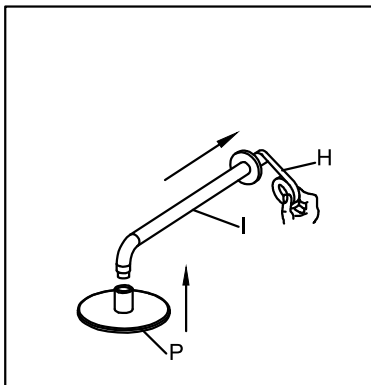
1. Holes size for the built in control valve: 260\*80\*(60-70), the depth between the bottom of the control valve to the tile surface is 60-70MM



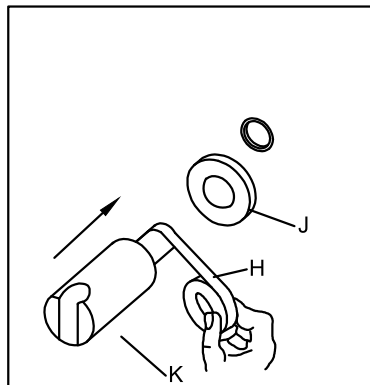
2. Use the tape on pipe threads, connected to the main body (A) cold and hot as required inlet pipe and outlet pipe, checking the leakage before fixing the main body in the embedded hole (keep the horizontal and vertical). And assembling the protection plastic cover (B).



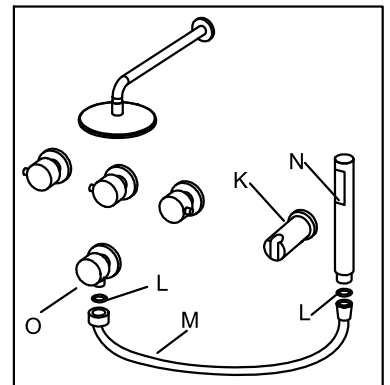
3. After filling the embedded hole, remove the protection plastic cover, and screw the cartridge cover (C) on the main thread, install decorative cup (D), then use Allen key (E) and hexagon socket screw (G) to install the handle (F).



4. Turn the water on for 1 minute to flush any debris. Apply Teflon tape (H) to the threaded tail pipe and install the shower hose (I) into the outlet on the wall. Then connect the top shower (P) to the spout.



5. Apply Teflon tape (H) to the threaded end, fix the cover plate (J) on the wall, insert the shower bracket (K) and rotate to fix.



6. Add a rubber gasket (L) to the both ends of the shower hose (M) to connect the shower hose (M) to the wall water supply bracket (O) and the Handshowers (N), then place the Handshowers (N) on the wall shower bracket (K).

## DESCRIPTION

- Solid brass construction
- Premium finish resist corrosion and tarnishing
- Feature a waterfall spout
- Hand shower with back flow protection
- 60"(1500mm)rubber hose included
- Feature a pressure balance valve
- Suitable for wall mounted rough-in installation


## FLOW

- Faucet maximum 4 gpm @ 60 psi
- Hand shower maximum 2 gpm(7.6L/min)

## CARTRIDGE

- Ceramic disk cartridge
- Pressure-balanced valve

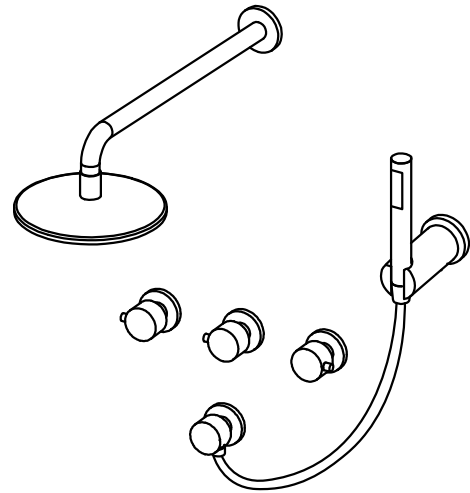
## STANDARDS

- Certified to cUPC
- Comply with ASME A112.18.1/CSA B125.1
- ADA  for lever handle

## WARRANTY

- Lifetime limited warranty against leaks, drips and finish defects from the original date of purchase. (Improper care and cleaning will void the warranty)
- 5-year warranty if used in commercial installations

## Specifications



**Wall Mounted Bathtub Faucet**  
NOTE: THIS FAUCET IS DESIGNED FOR WALL MOUNTED ROUGH-IN INSTALLATION

