
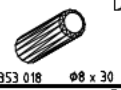
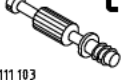


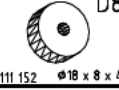











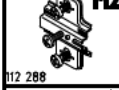




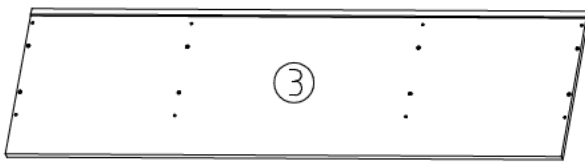
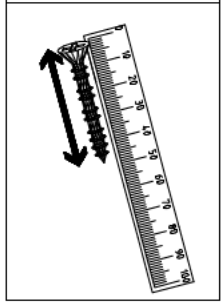
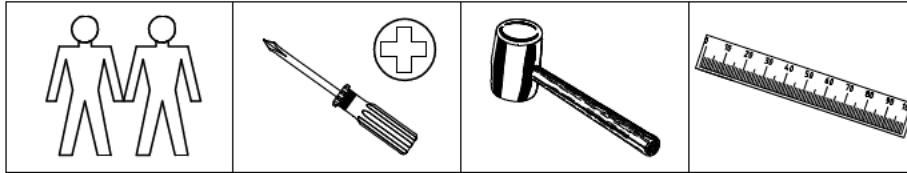
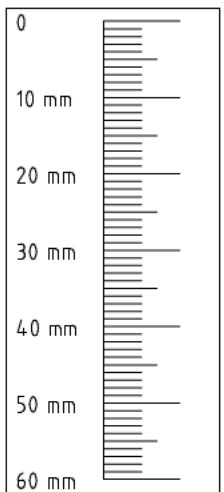
| | | |
|--|------------|-----|
|  | A | 12x |
|  | D | 16x |
|  | C | 12x |
|  | SBV | 12x |

| | | |
|---|--------------|-----|
|  | Q35 | 5x |
|  | D8 | 20x |
|  | F5 | 20x |
|  | MS 14 | 20x |

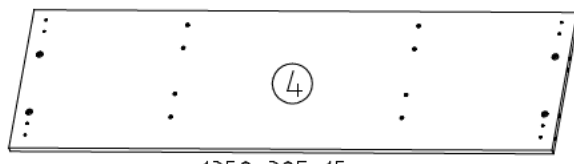
| | | |
|---|-------------------------|-----|
|  | RG100 | 2x |
|  | SP15 4 X 15mm | 14x |
|  | SG 9 | 2x |
|  | B | 4x |

| | | |
|---|---------------------------|-----|
|  | RWP 883 | 4x |
|  | Z | 3x |
|  | KP8 3,5 x 15 mm | 14x |
|  | G1 | 8x |

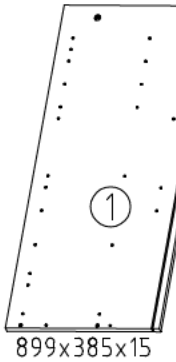
| | | |
|---|-------------|-----|
|  | H27 | 4x |
|  | H27 | 4x |
|  | L7 | 16x |
|  | RG10 | 2x |



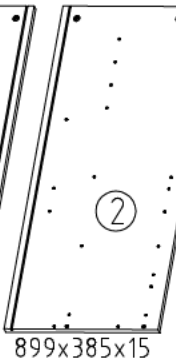
1390x405x15



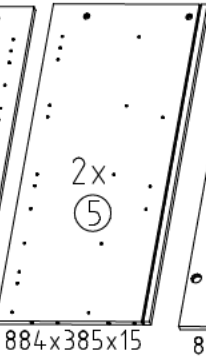
1358x385x15



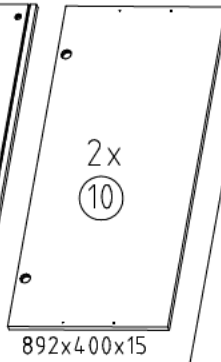
899x385x15



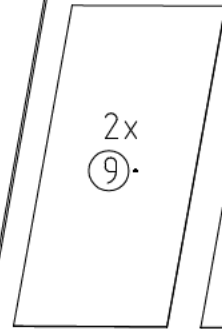
899x385x15



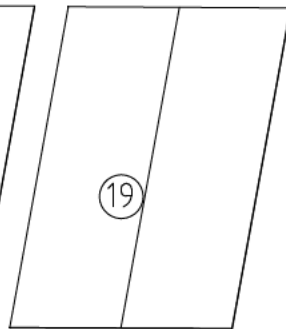
884x385x15



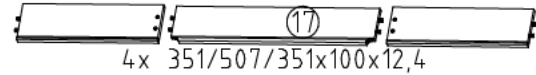
892x400x15



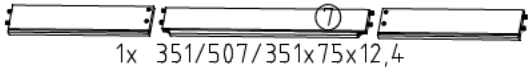
383x893x2,5



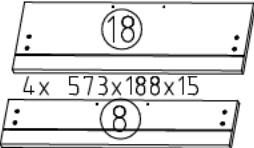
564x893x2,5



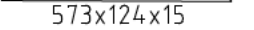
4x 351/507/351x100x12,4



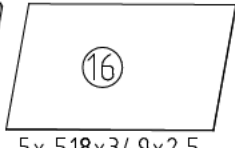
1x 351/507/351x75x12,4



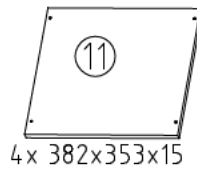
4x 573x188x15



573x124x15

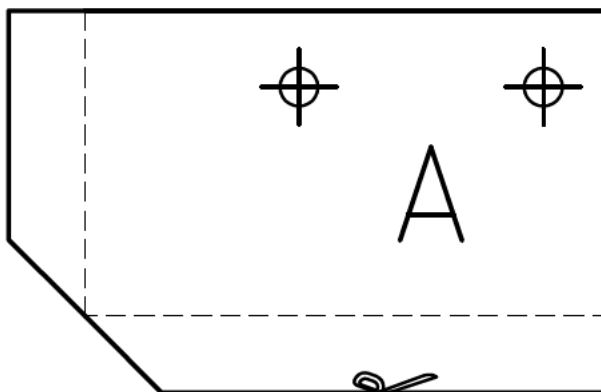


5x 518x349x2,5

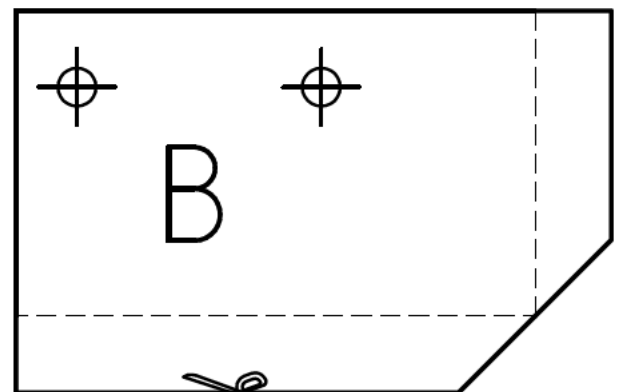


4x 382x353x15

1



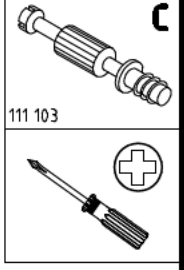
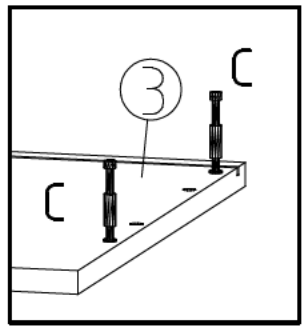
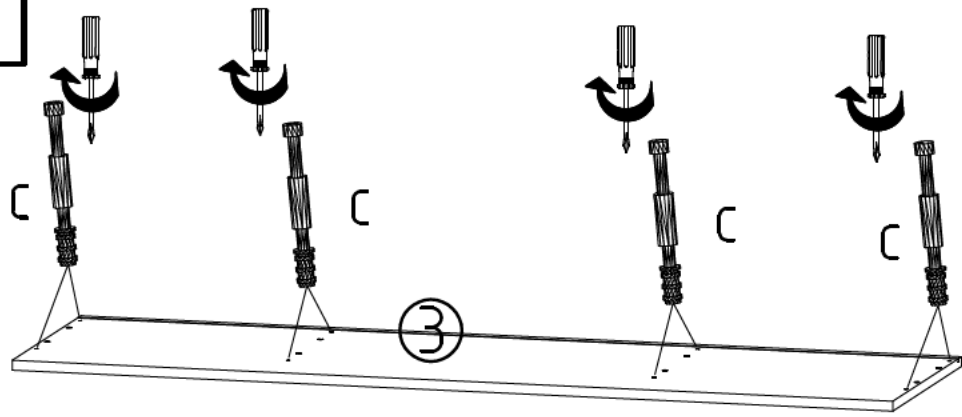
A



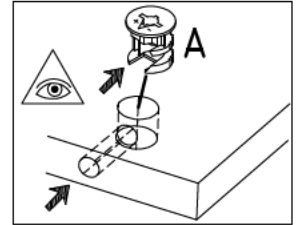
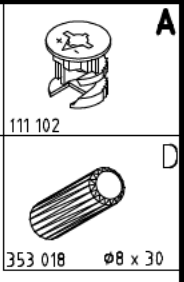
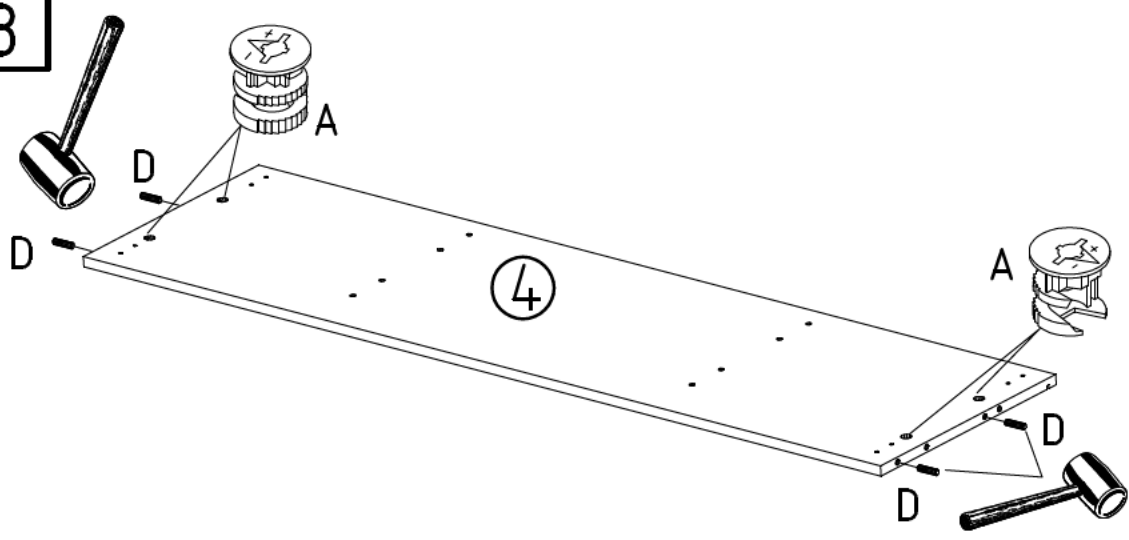
B



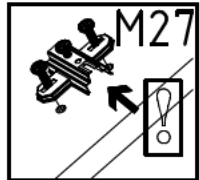
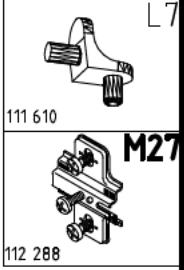
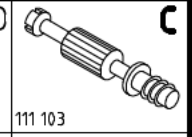
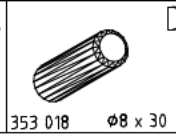
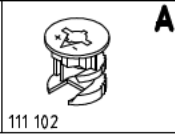
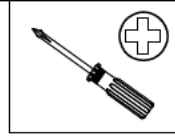
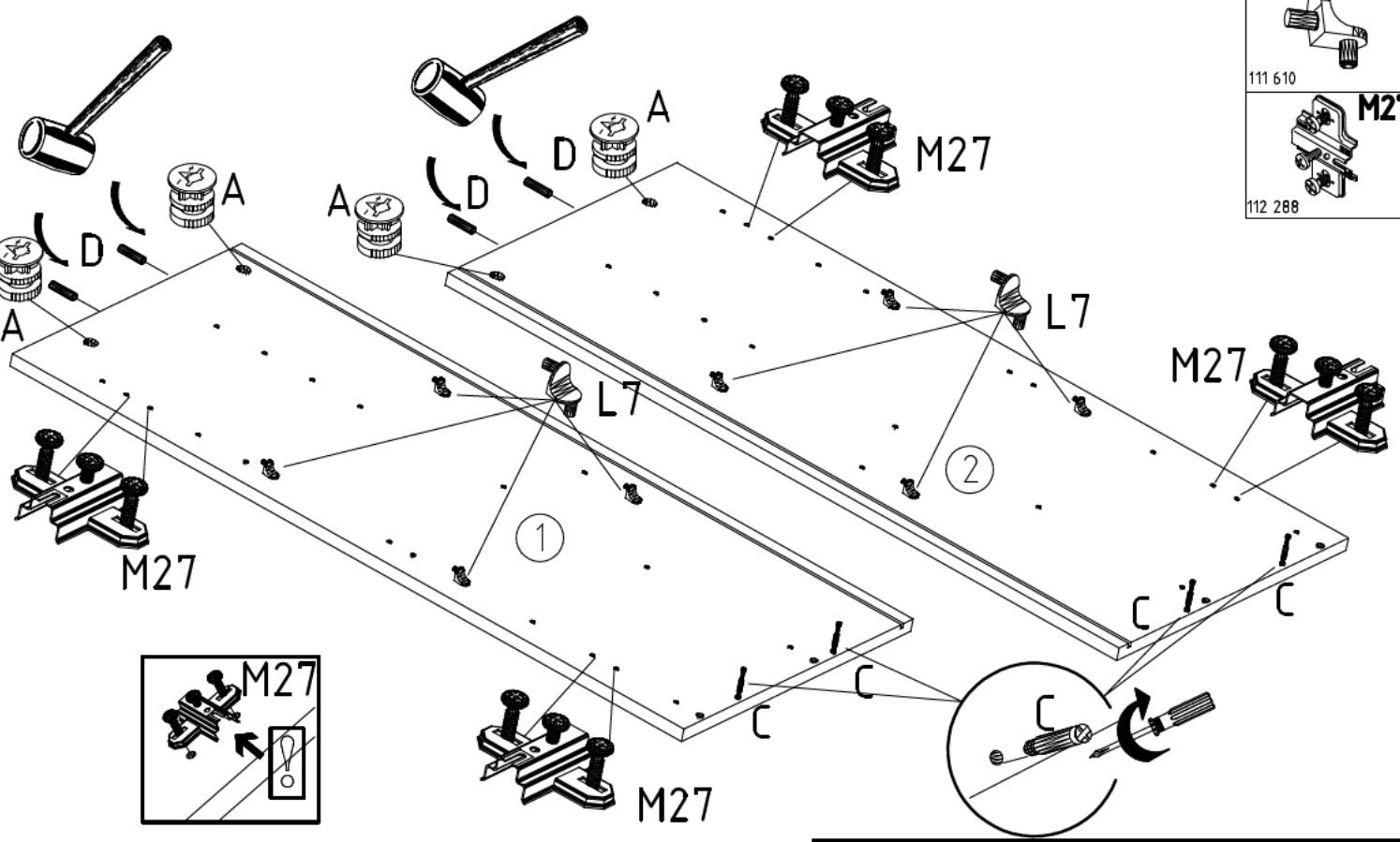
2



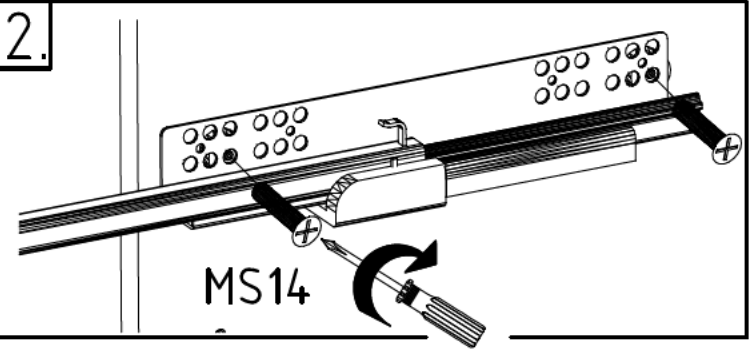
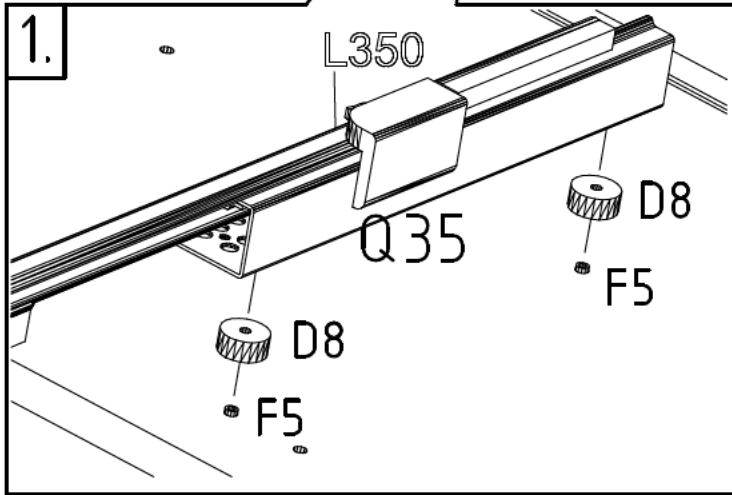
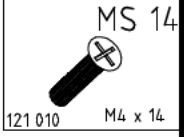
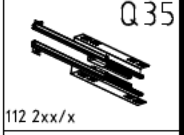
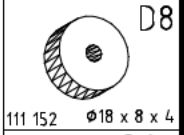
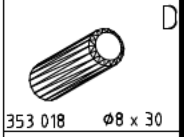
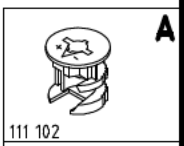
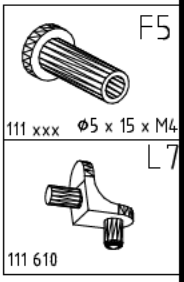
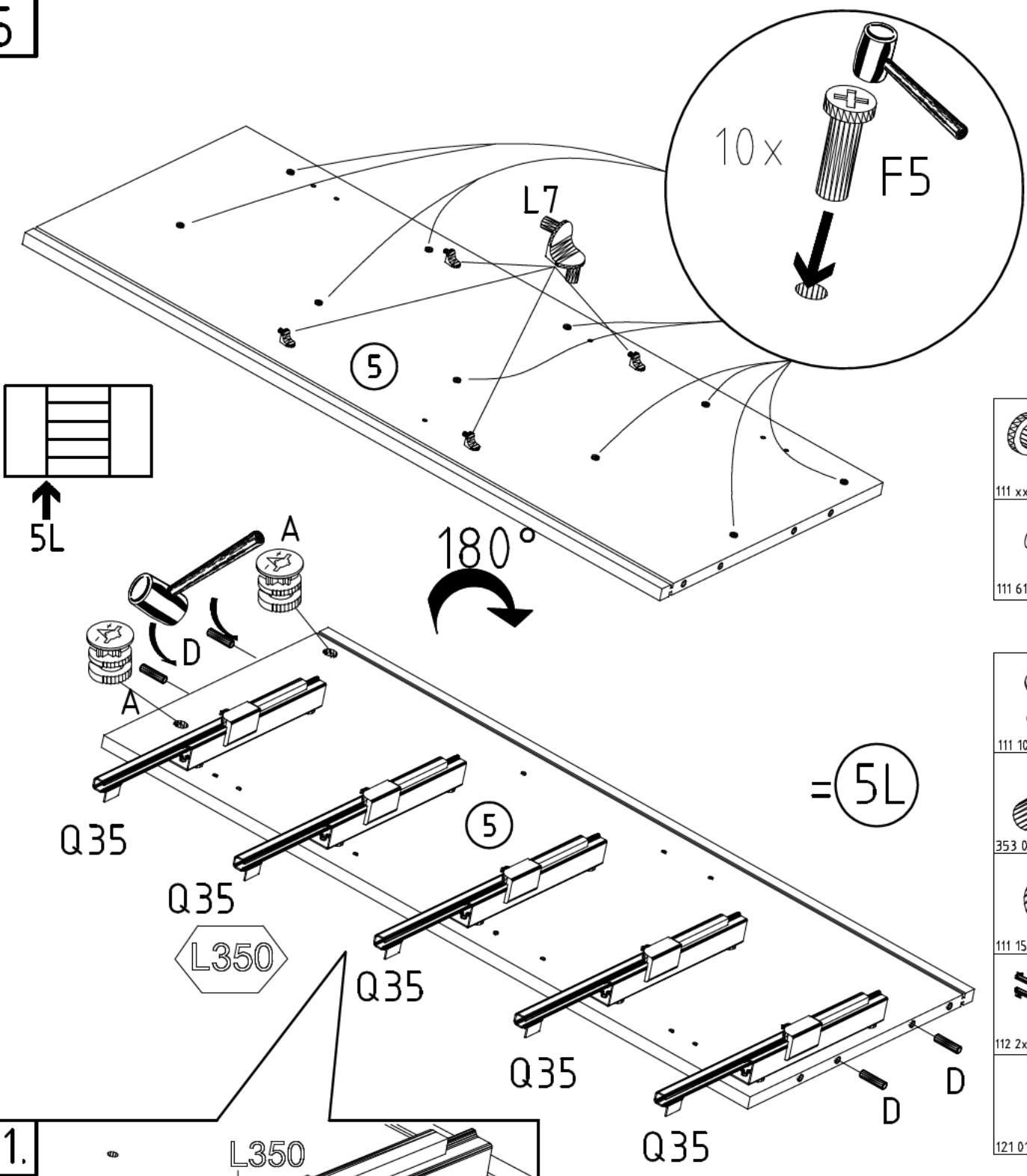
3



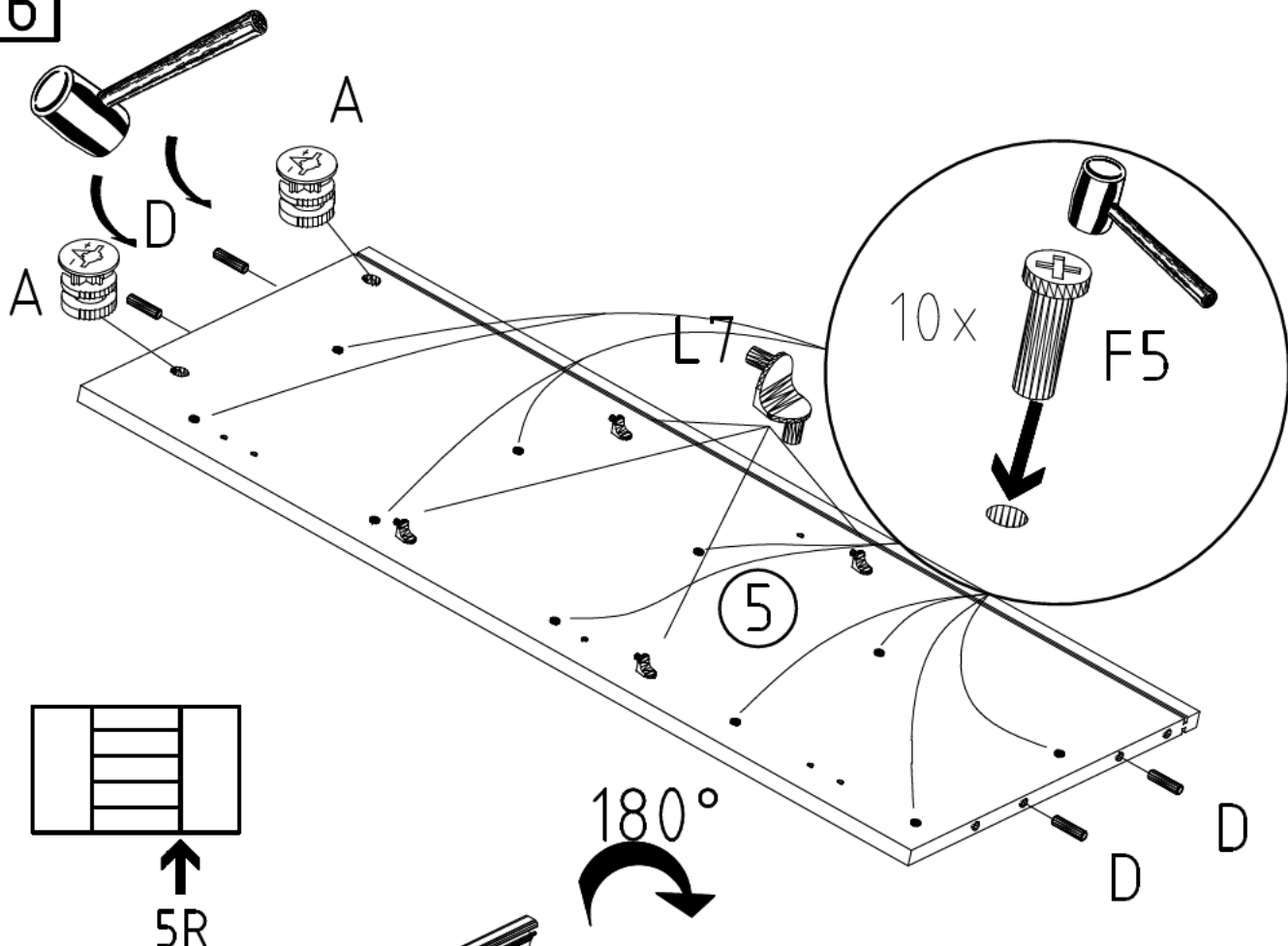
4



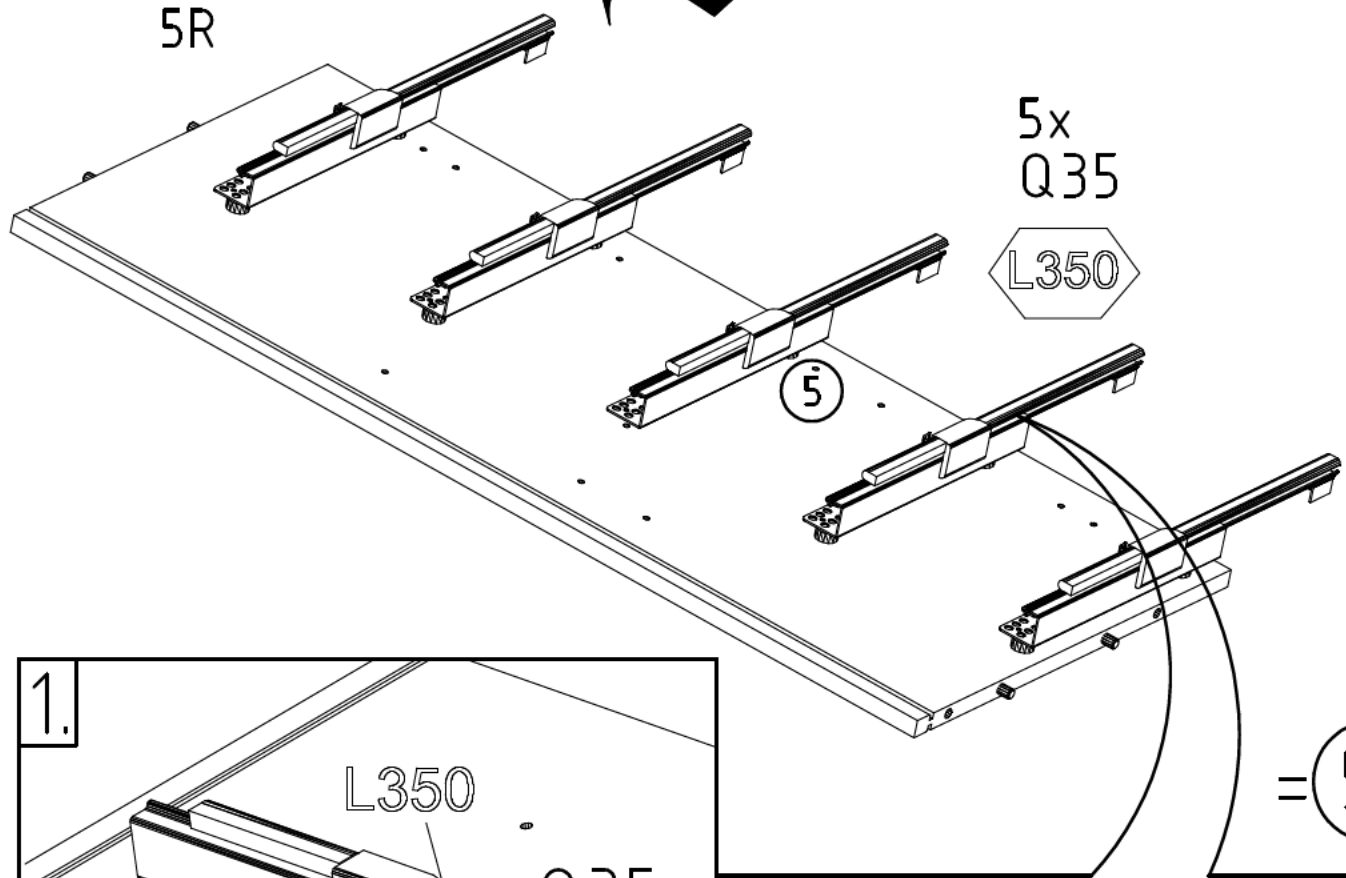
5



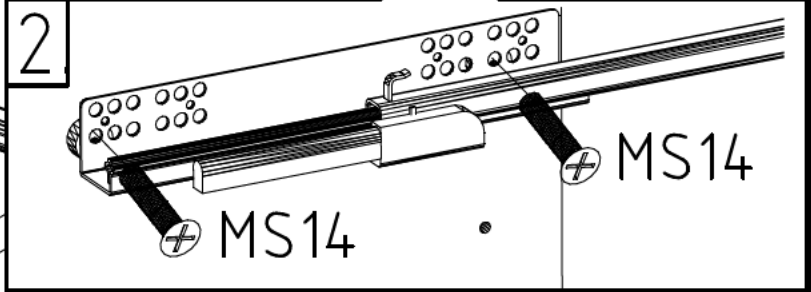
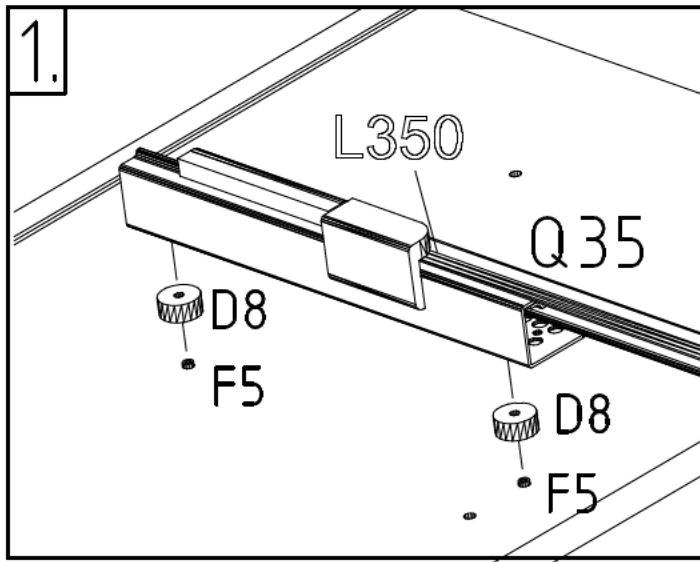
6

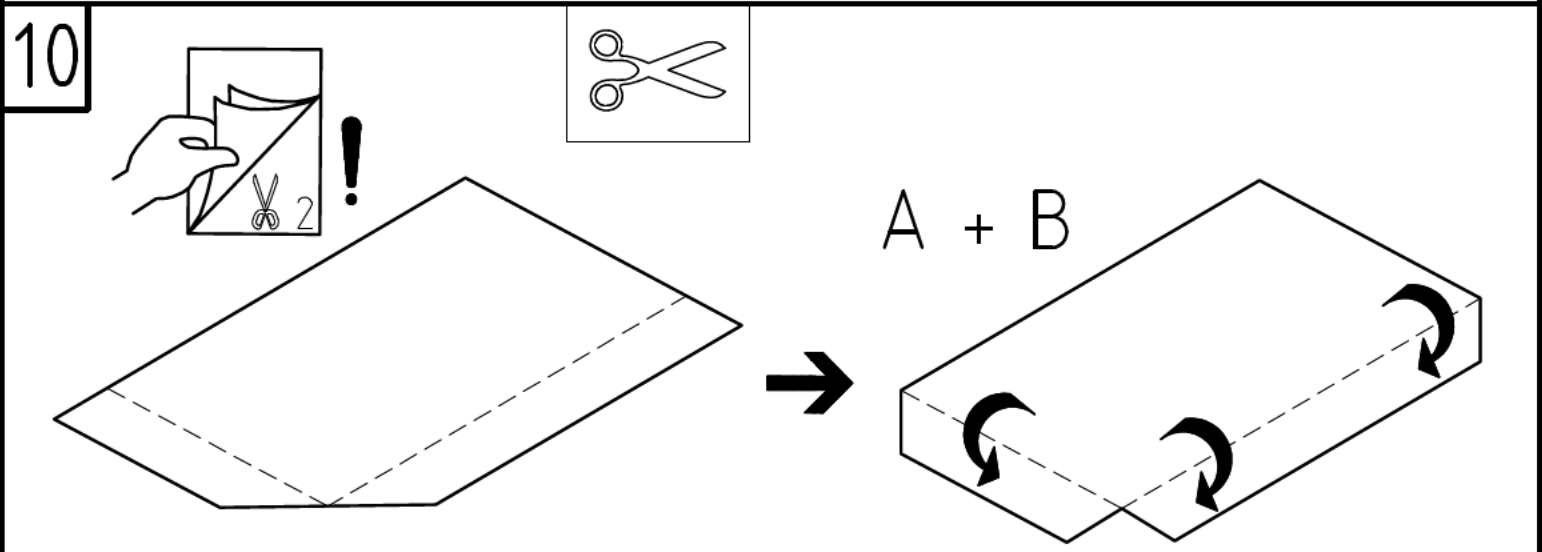
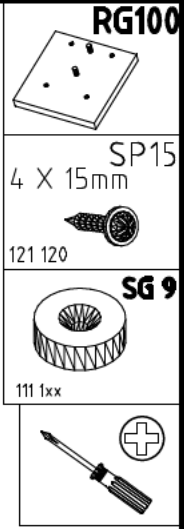
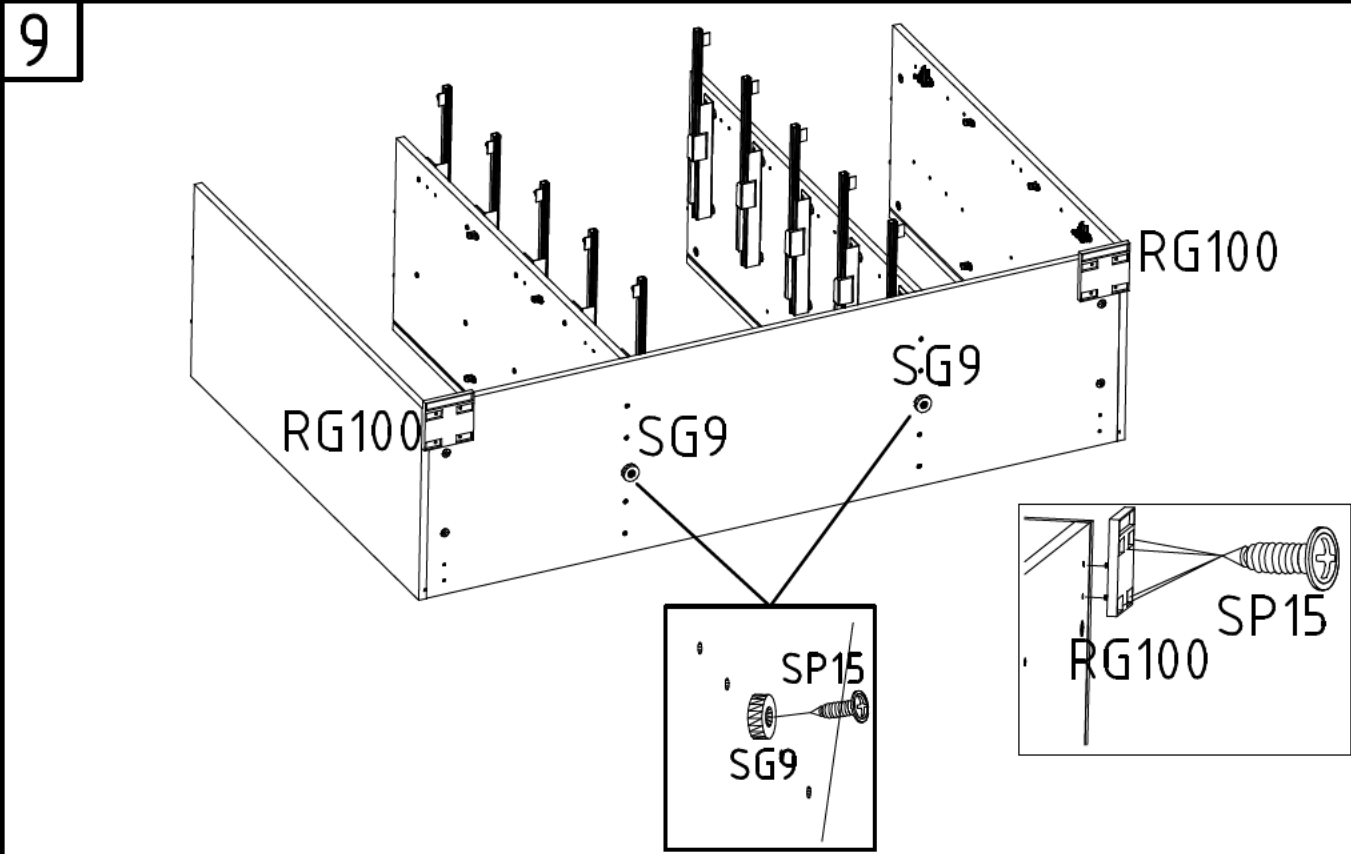
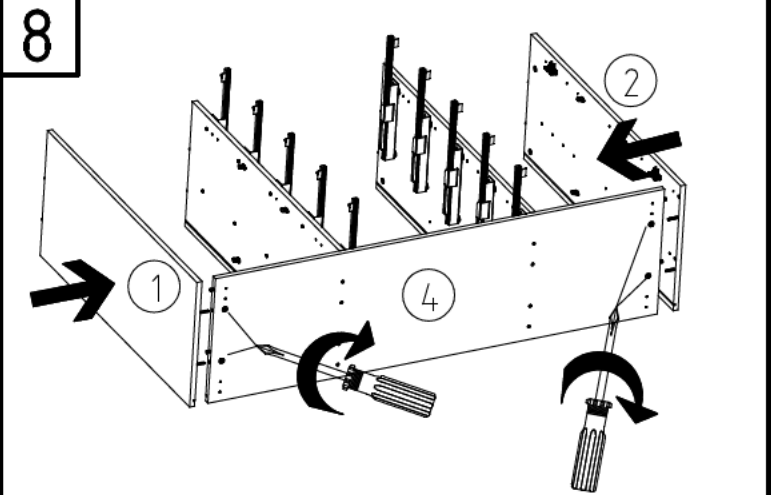
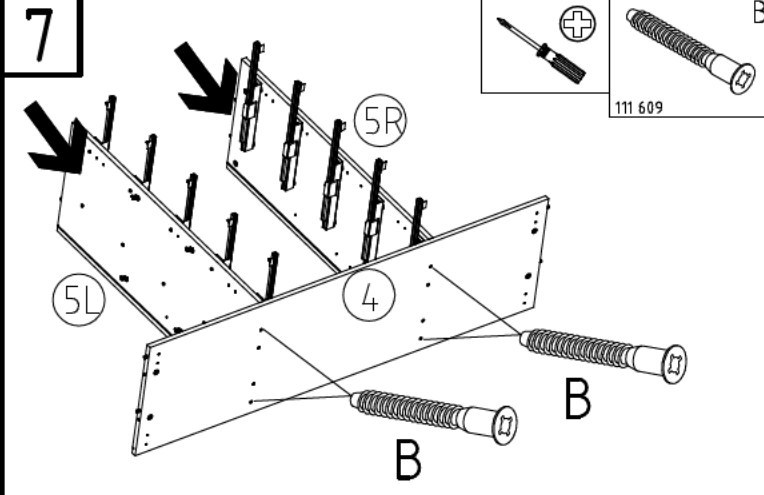


- L7
111 610
- A
111 102
- D
353 018 $\phi 8 \times 30$
- F5
111 xxx $\phi 5 \times 15 \times M4$

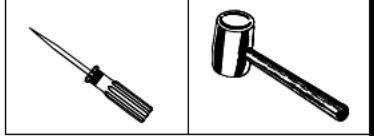
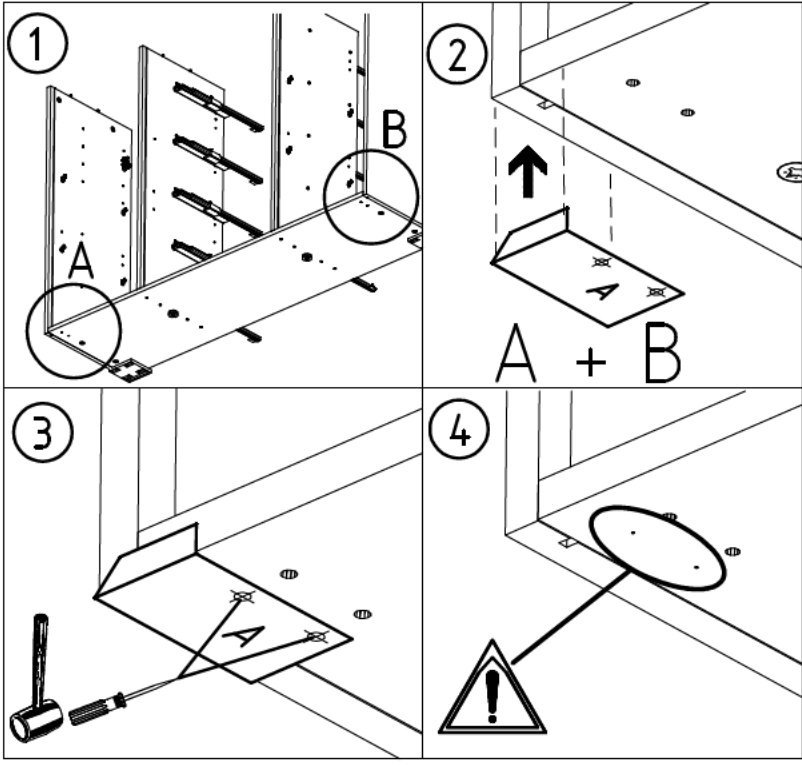


- MS 14
121 010 $M4 \times 14$
- D8
111 152 $\phi 18 \times 8 \times 4$
- Q35
112 2xx/x

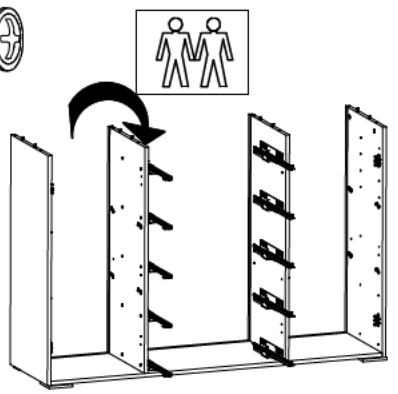
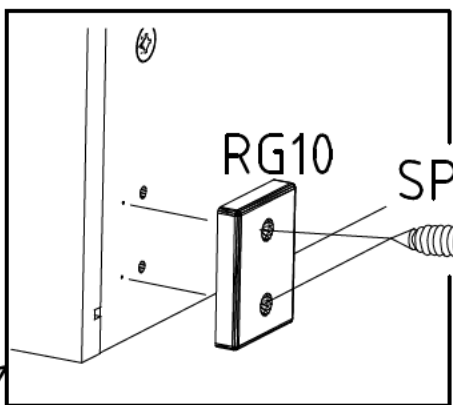
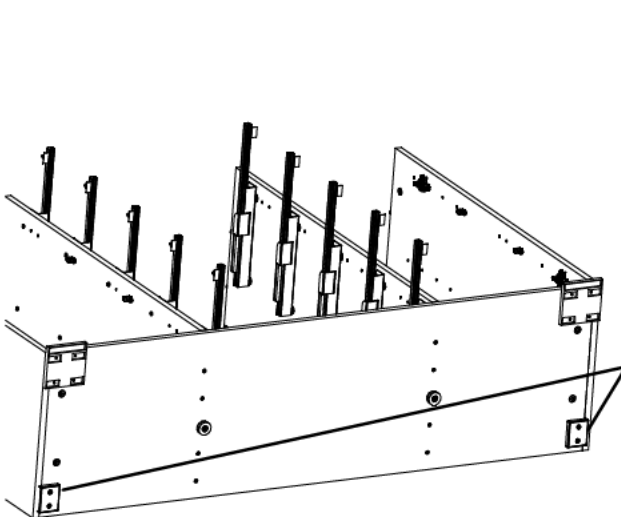




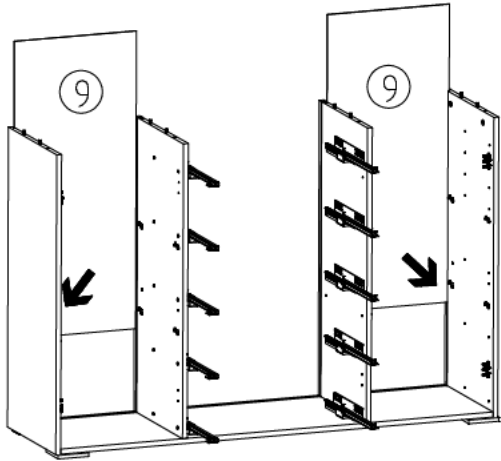
11



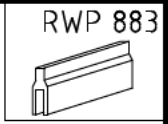
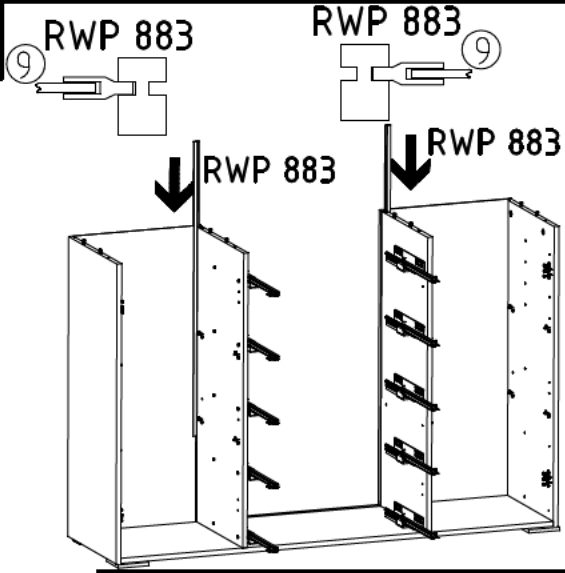
12



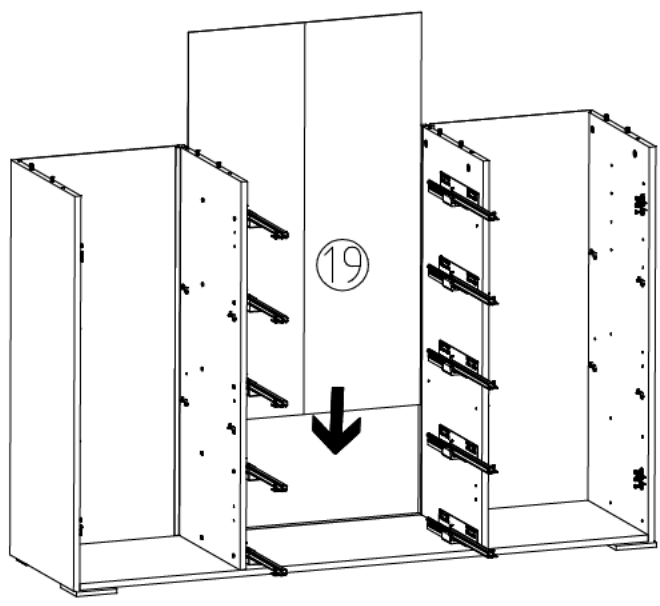
13



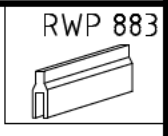
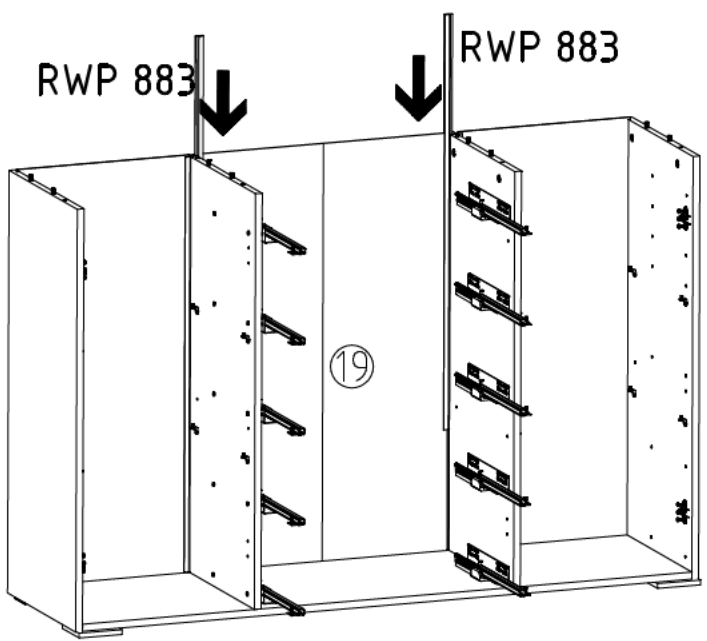
14



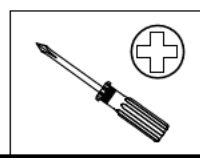
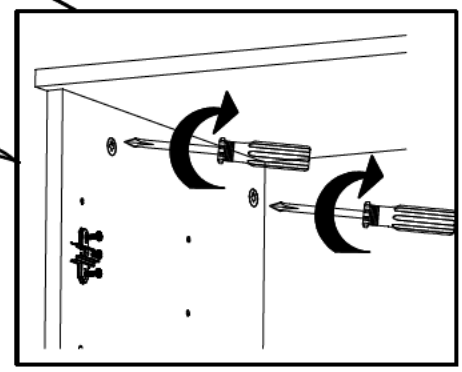
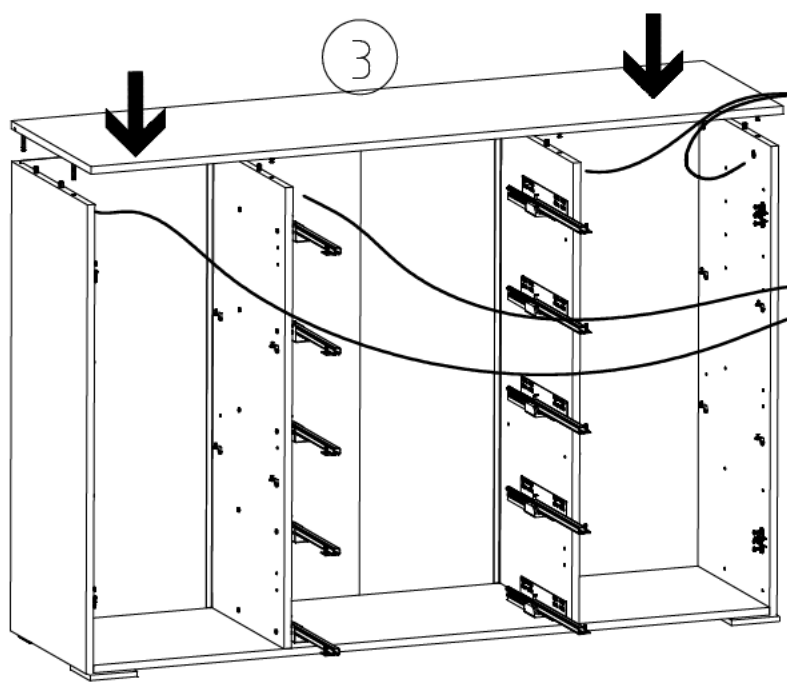
15

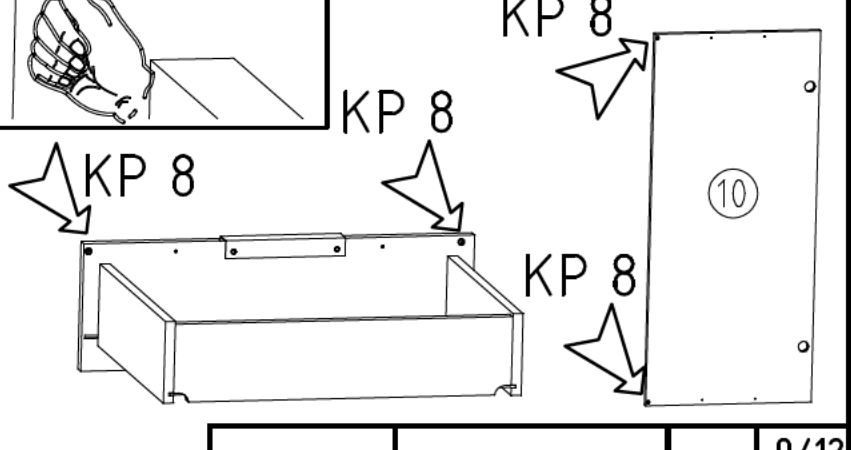
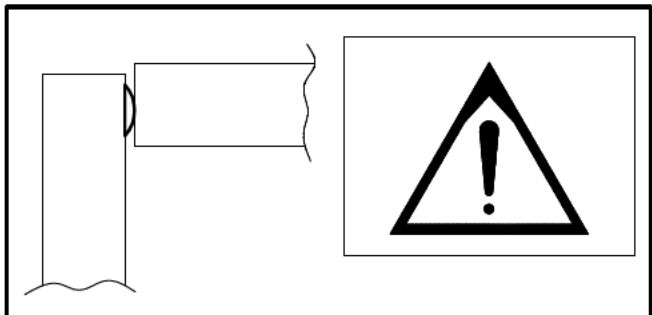
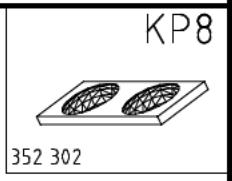
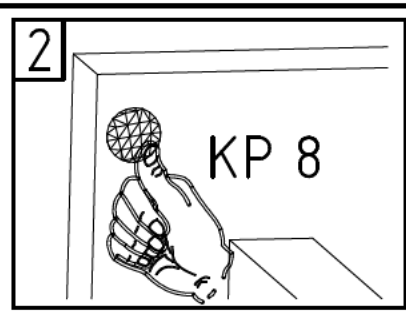
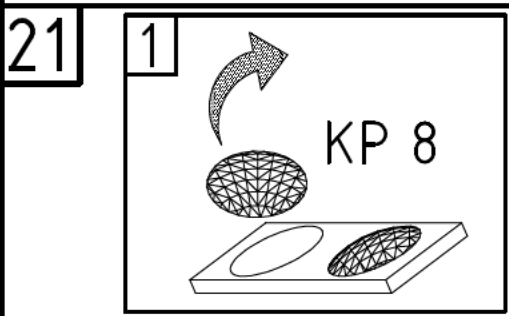
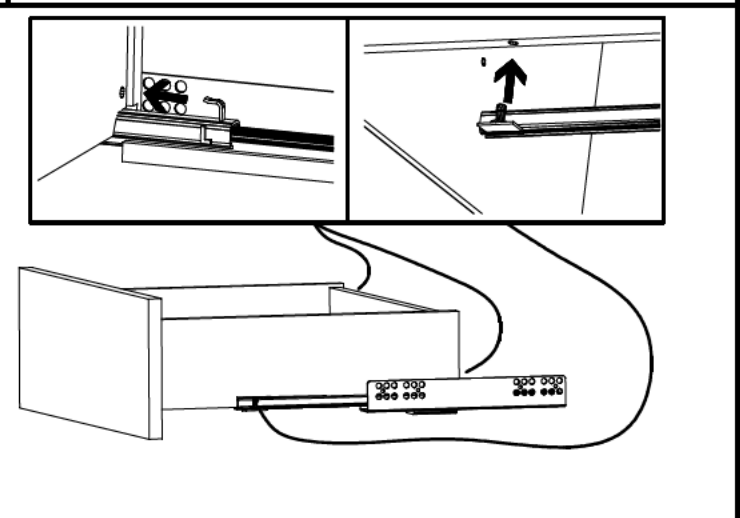
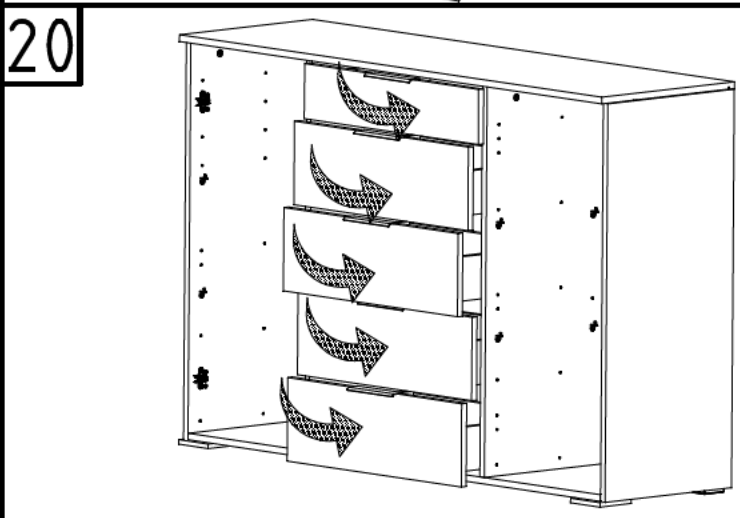
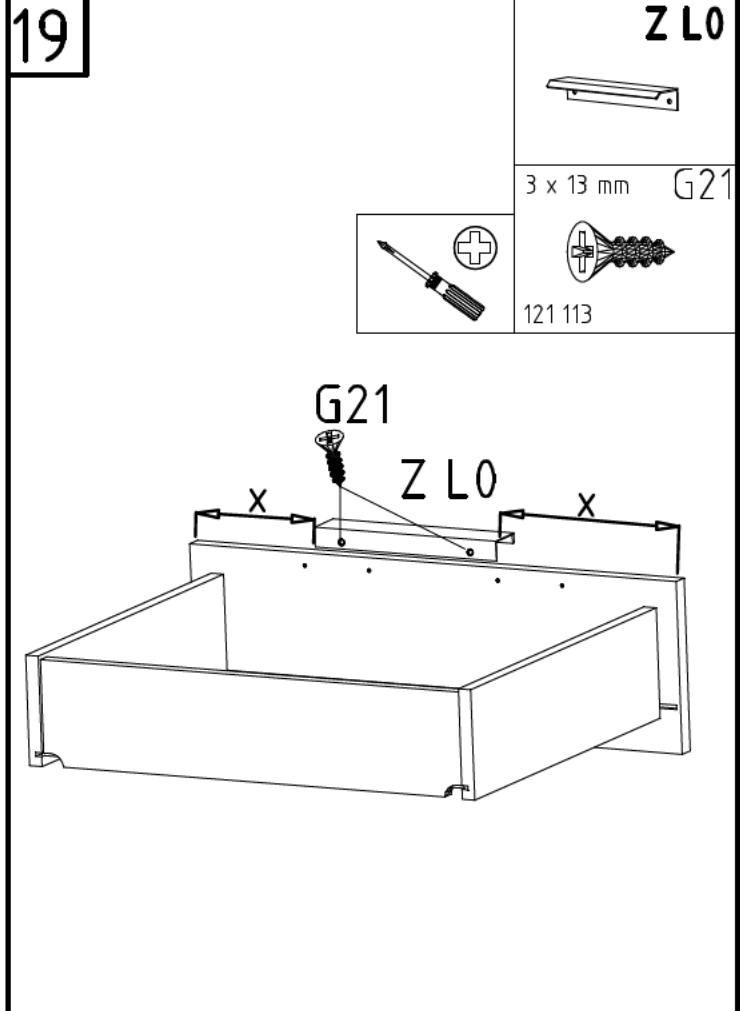
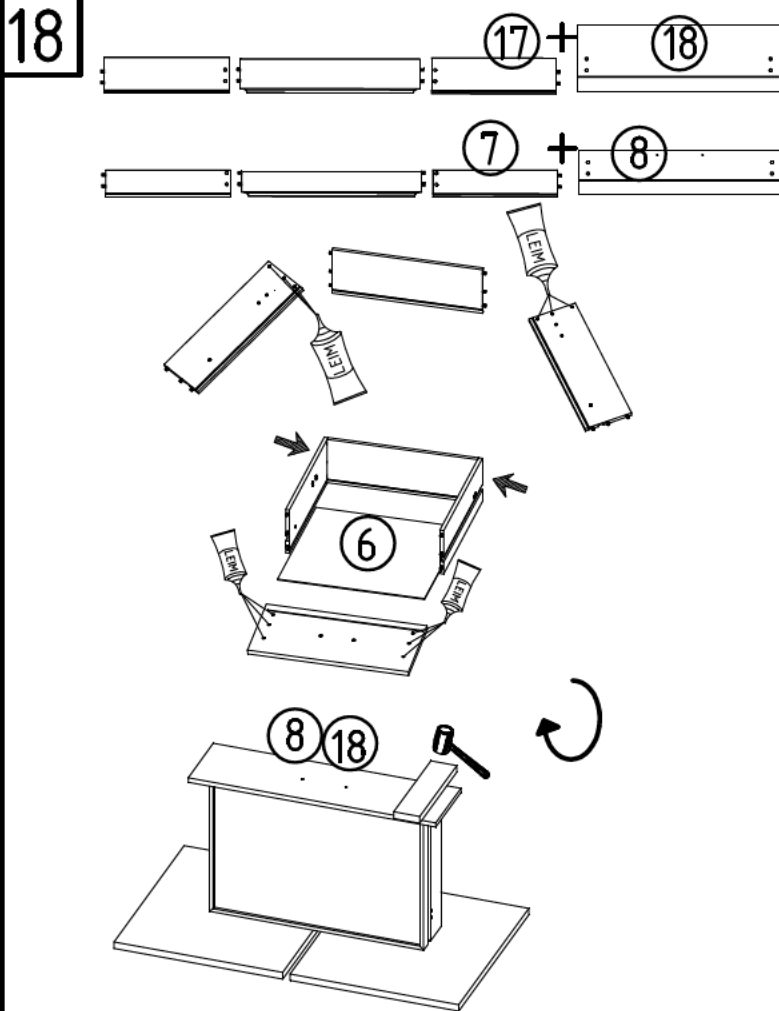


16

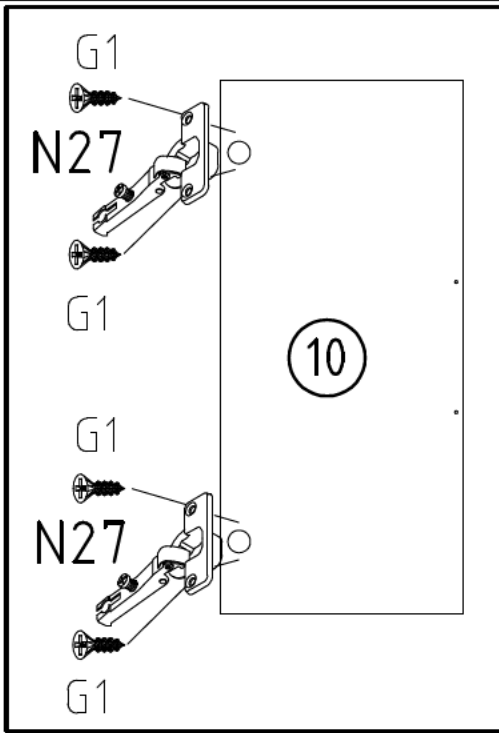


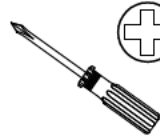

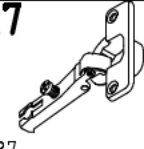
17

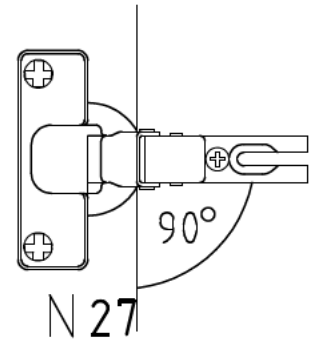




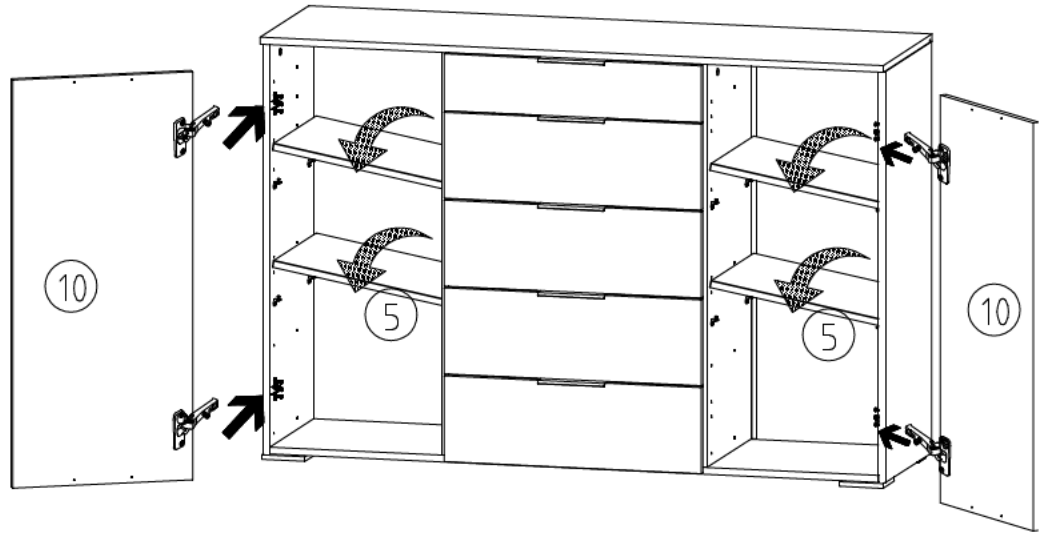
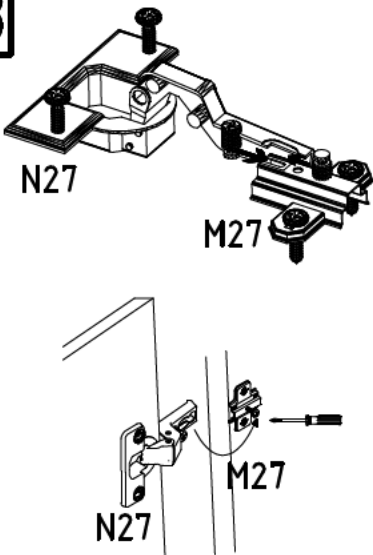
22



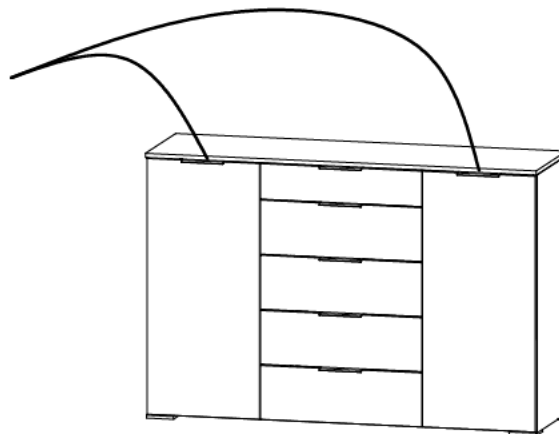
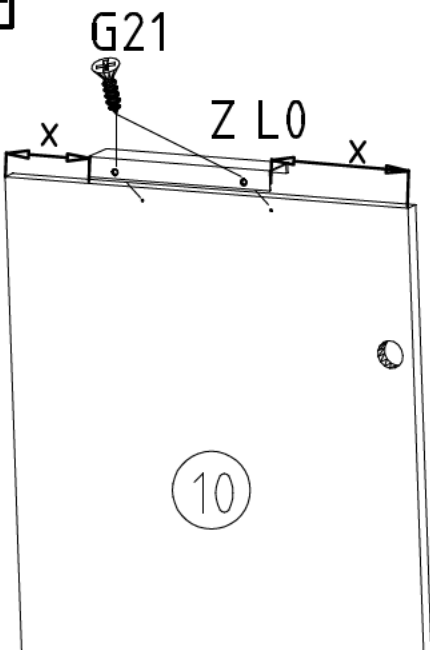
| | | |
|---|--|--|
|  |  |  |
| | 3,5 x 15 mm | G1 N27 |
| | 121 370 | 112 287 |






23

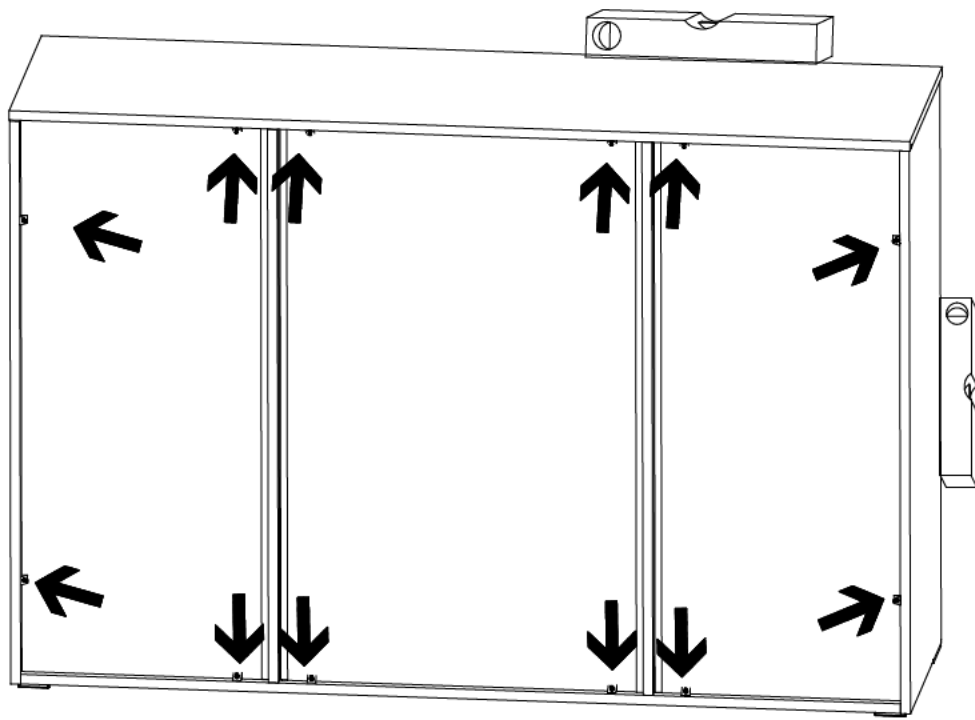
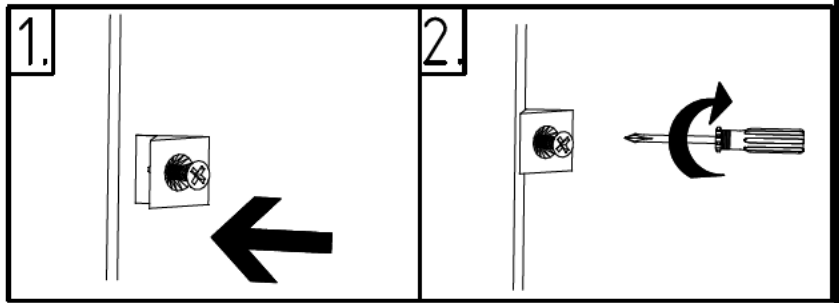
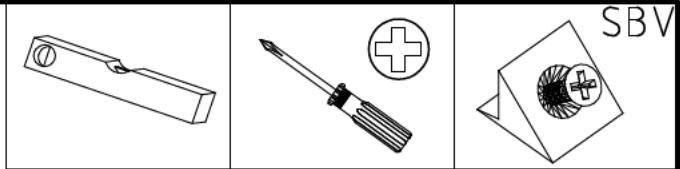


24



| | |
|---|---------------|
|  | Z L0 |
|  | 3 x 13 mm G21 |
| | 121 113 |
|  | |

25



26

