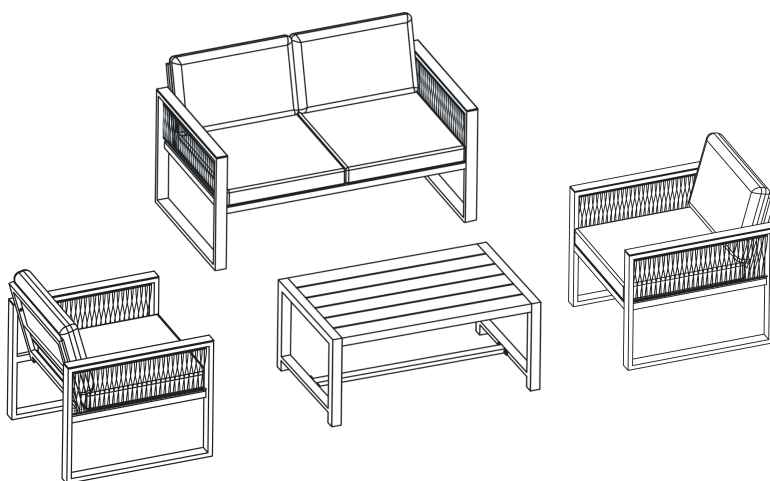
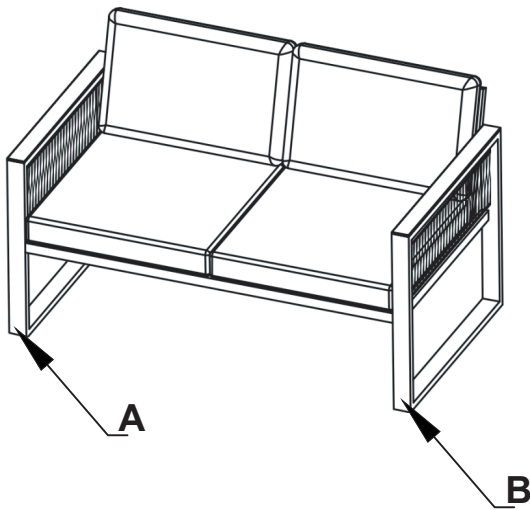
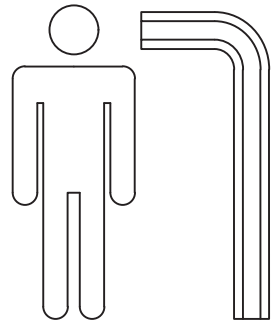
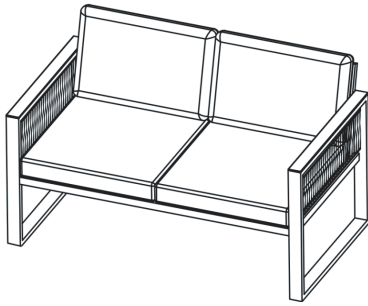

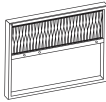

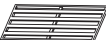







INSTRUCTION MANUAL



Plastic Wood Sofa Set



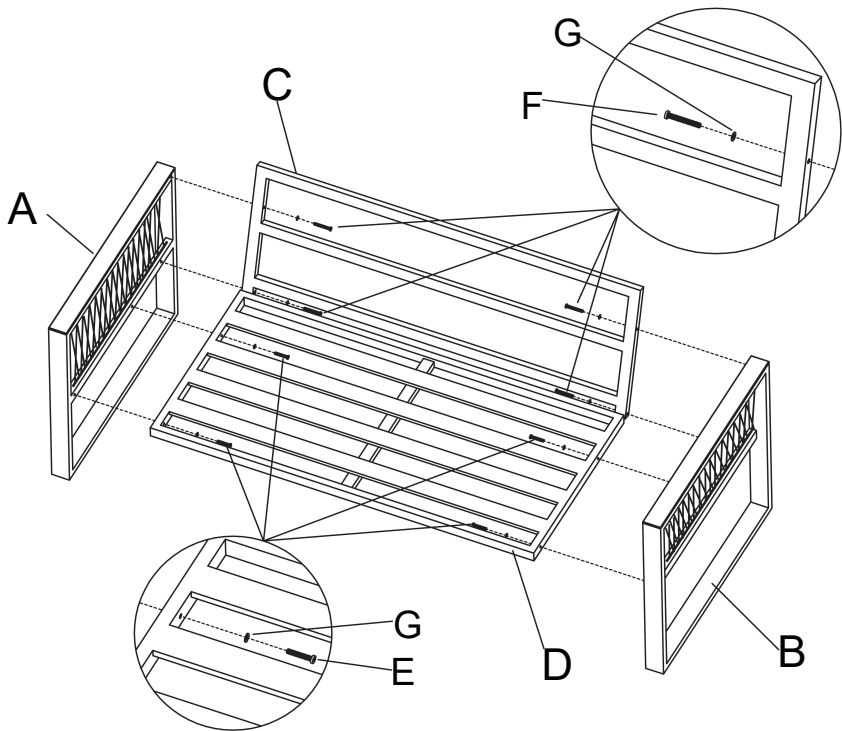
Part Number	Images and Sizes	Qty.
A		1
B		1
C		1
D		1
E	 M6*35	4
F	 M6*45	4
G	 M6*Φ16	8
I		1
H		4

ASSEMBLY INSTRUCTIONS



CAVEAT

Note: Please only tighten any bolts once all bolts are placed correctly and the product is lying flat. If you tighten one bolt, it may cause other bolts to get out of position.



STEP 1

Attach the armrests (A&B) to backrest (C) and base (D) using 4 bolts (E), 4 bolts (F) and 8 washers (G). Do not over-tighten them.

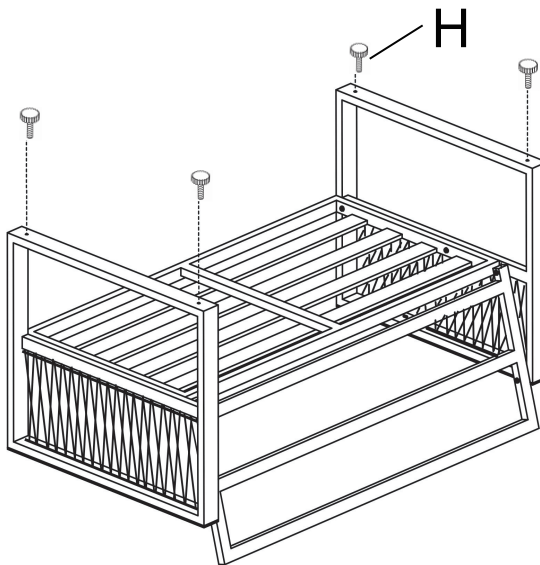
Upon completing the entire assembly and bolting up, you can tighten down all screws.

ASSEMBLY INSTRUCTIONS



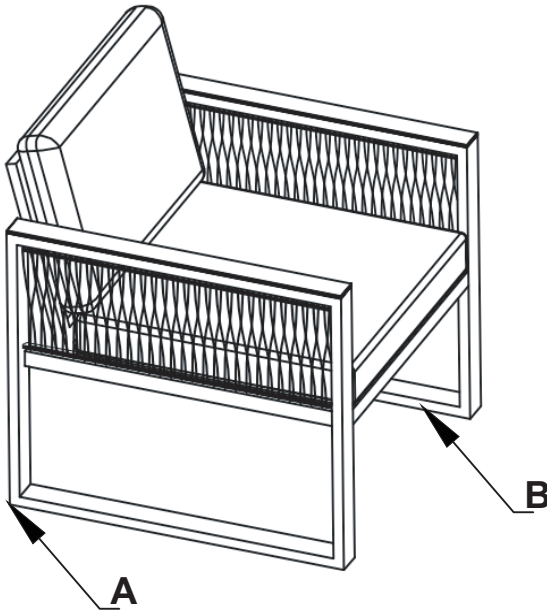
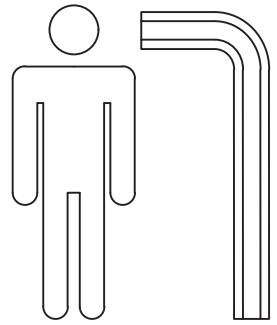
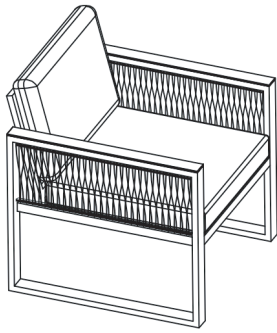
CAVEAT



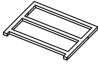






Note: Please only tighten any bolts once all bolts are placed correctly and the product is lying flat. If you tighten one bolt, it may cause other bolts to get out of position.



STEP 2

Install the 4 adjustable feet (H).



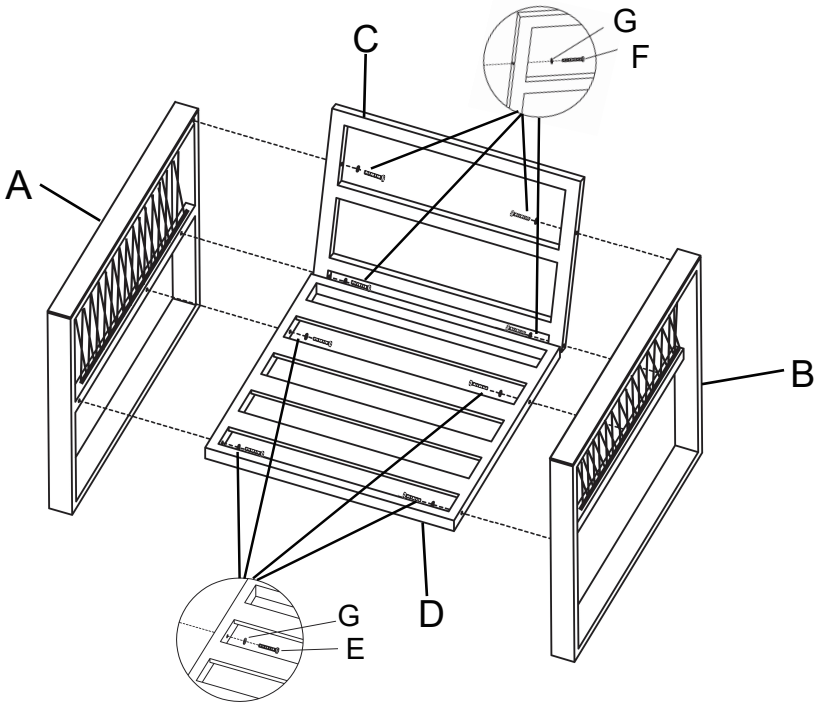
Part Number	Images and Sizes	Qty.
A		2
B		2
C		2
D		2
E	 M6*35	8
F	 M6*45	8
G	 M6*Φ16	16
I		1
H		8

ASSEMBLY INSTRUCTIONS



CAVEAT

Note: Please only tighten any bolts once all bolts are placed correctly and the product is lying flat. If you tighten one bolt, it may cause other bolts to get out of position.



STEP 1

Attach the armrests (A&B) to backrest (C) and base (D) using 4 bolts (E), 4 bolts (F) and 8 washers (G). Do not over-tighten them.

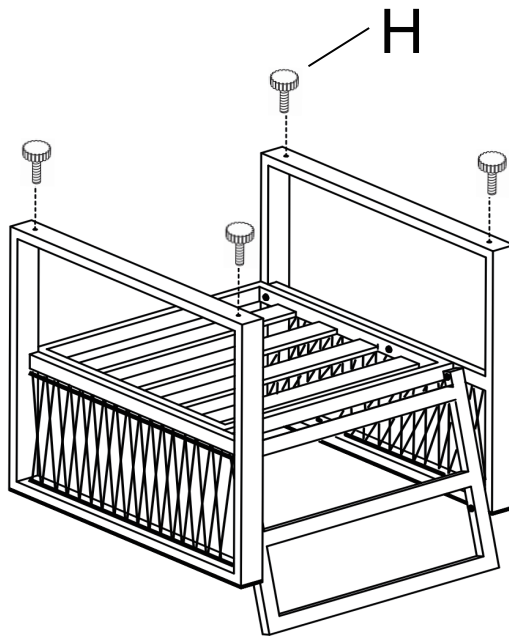
Upon completing the entire assembly and bolting up, you can tighten down all screws.

ASSEMBLY INSTRUCTIONS



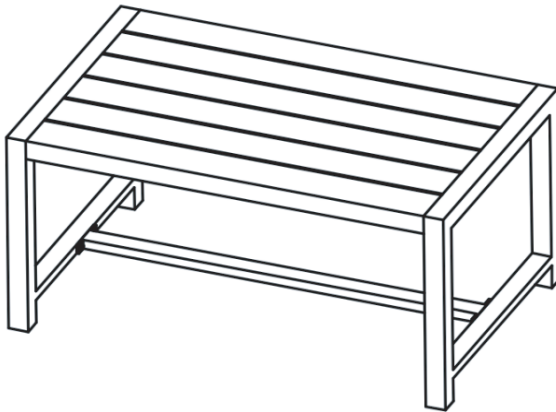
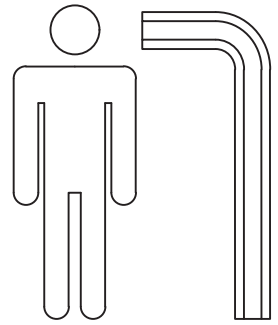
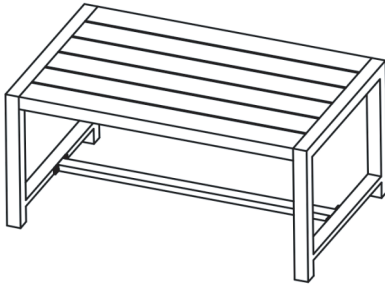
CAVEAT


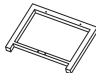






Note: Please only tighten any bolts once all bolts are placed correctly and the product is lying flat. If you tighten one bolt, it may cause other bolts to get out of position.



STEP 2

Install the 4 adjustable feet (H).



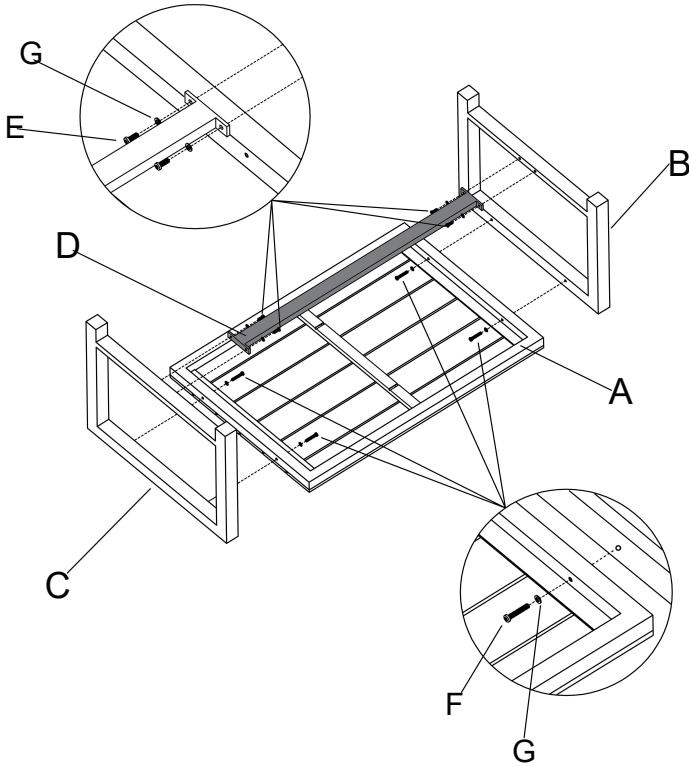
Part Number	Images and Sizes	Qty.
A		1
B		1
C		1
D		1
E	 M6*15	4
F	 M6*45	4
G	 M6*Φ16	8
H		1

ASSEMBLY INSTRUCTIONS



CAVEAT

Note: Please only tighten any bolts once all bolts are placed correctly and the product is lying flat. If you tighten one bolt, it may cause other bolts to get out of position.



STEP 1

1. Attach legs (B&C) to the desktop (A) using 4 bolts (F) and 4 washers (G). Do not over-tighten them.
2. Attach support rod (D) to legs (B&C) using 4 bolts (E) and 4 washers (G). Do not over-tighten them.

Upon completing the entire assembly and bolting up, you can tighten down all screws.

CARE AND MAINTENANCE

Follow the instructions for the product's material to ensure it stays in the best shape as long as possible. The information below is a general guideline.

Don't hesitate to get in touch with us to learn more.

- Only rinse it thoroughly with clean water to wash away dirt and grime. Never use abrasive cleansers on the furniture since they can attack the surface and leave behind scratch marks.
- For stubborn grime and stains, use a soft sponge and mild soapy water. Then dry it with a cloth or paper towel.
- Check the stability of the screws, nuts, and nut caps before each use. Then, tighten them up after one to two months' use whenever required.
- Avoid improper use, and be careful not to scratch or damage the surface with sharp objects.
- When you move your furniture, lift it rather than pulling or pushing it to avoid damaging the floor, legs, and mounting.

CUSTOMER SERVICE

Thanks for purchasing our furniture. We are here to help you maximize your enjoyment and appreciation of it.

Please do not hesitate to contact our customer service if you have any questions regarding assembly or accessories.