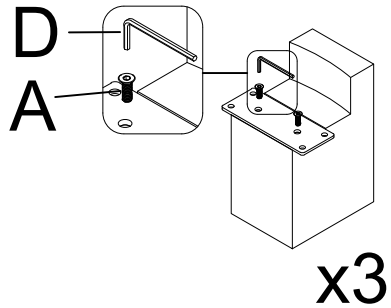
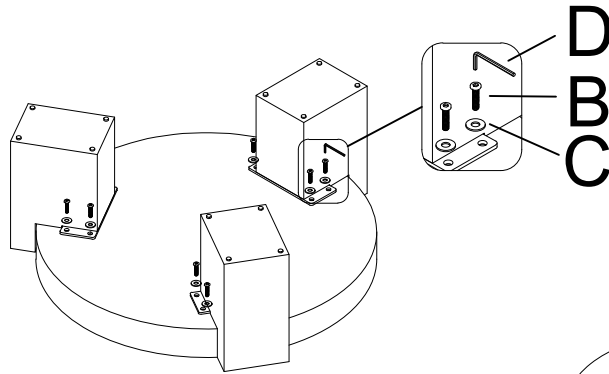


# ASSEMBLY INSTRUCTION

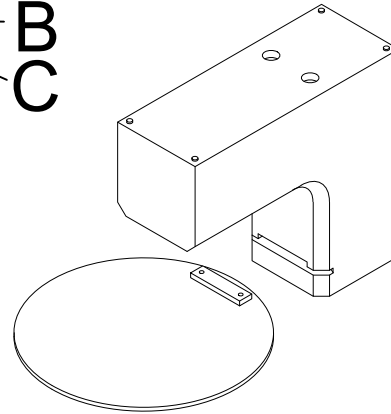
STEP1



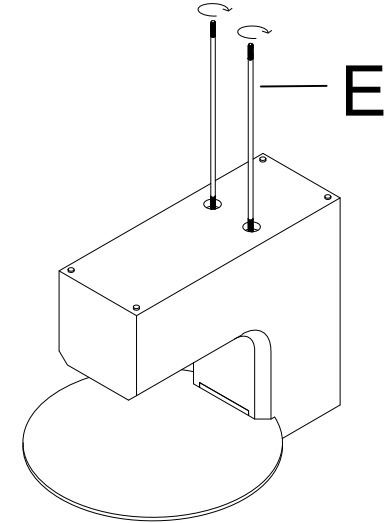
STEP2



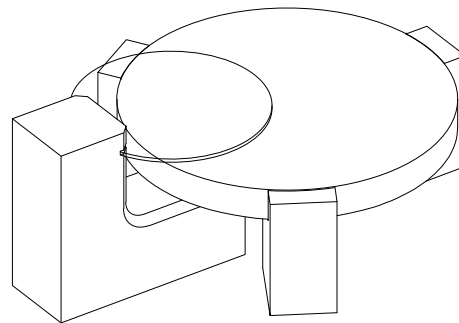
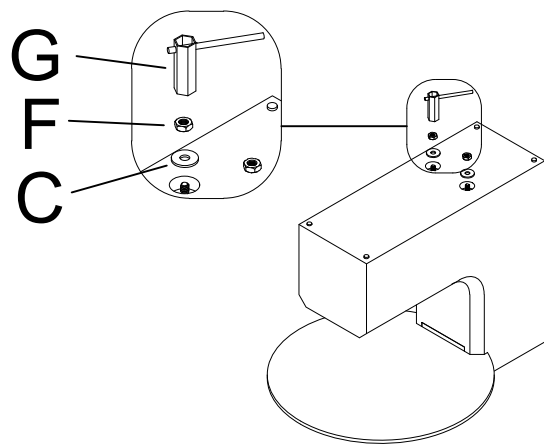
STEP3






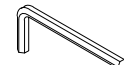
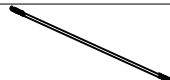

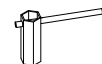
STEP4



STEP5



DI-83

|   |   |        |     |
|---|---|--------|-----|
| A |    | M8*20  | x6  |
| B |  | M8*25  | x12 |
| C |  | ø22    | x14 |
| D |  |        | x1  |
| E |  | M8*380 | x2  |
| F |  | M8     | x2  |
| G |  |        | x1  |