

ASSEMBLY INSTRUCTIONS



Important Notice:

Pls check all parts are included before assembly.

Be Sure to Follow the Steps in Order:

① Start with the base and wheels.

② Connect the backrest and seat.

★③★ Only insert the gas lift when you confirm of satisfaction with the base and seat section and decide to keep the chair!!!

☆ **Note that once the gas lift is inserted, it is difficult to disassemble, which may prevent the item from fitting its original box and restrict the possibility of returns.** ☆

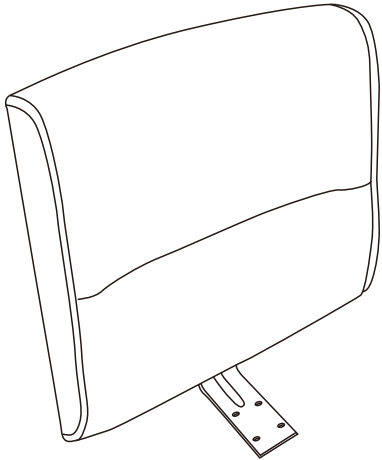
Questions and After-Sales Service:

For any queries, or if something's damaged, please feel free to contact our official support via purchase platform for prompt and warm assistance.

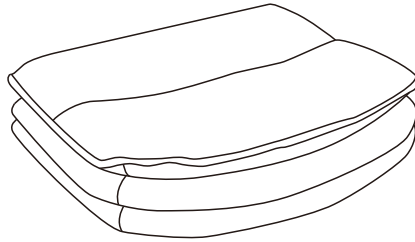
Thanks for your cooperation. Take care and stay safe~

Parts List

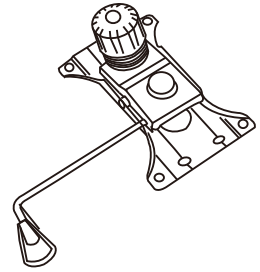
Ax1



Bx1

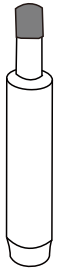


Cx1



Dx1

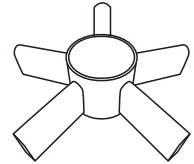
⚠️⚠️⚠️ Final assembly!



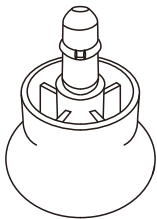
Ex5



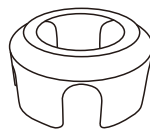
Fx1



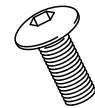
Gx5



Hx1

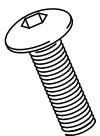


Ix10+1



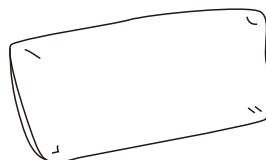
M6*16mm

Jx8+1

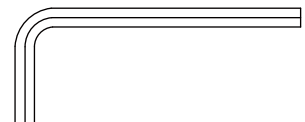


M6*20mm

Kx1

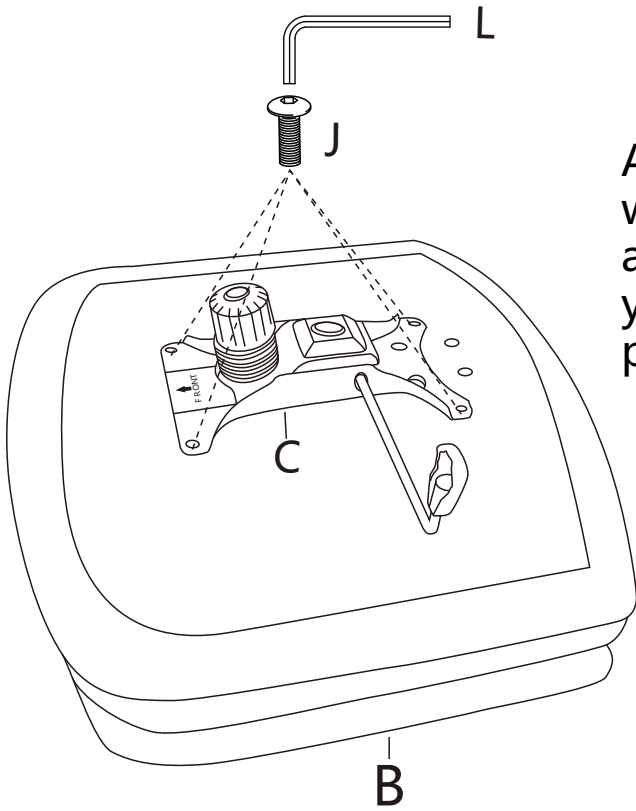


Lx1



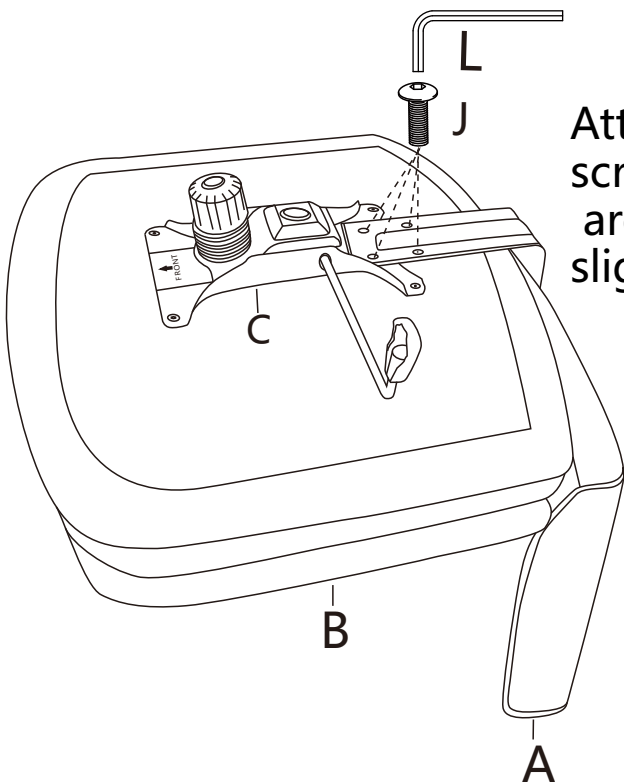
Installation Steps

1



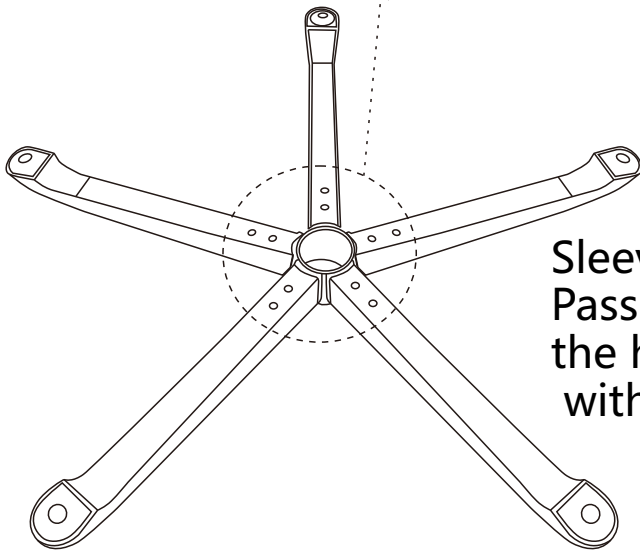
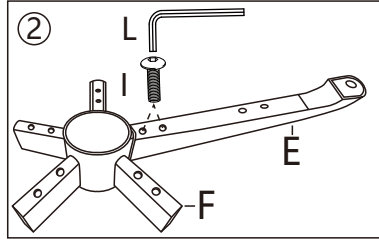
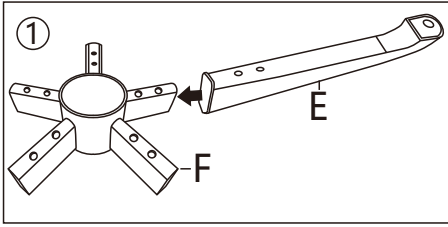
Attach mechanism (C) to the seat (B) with screws (J) . Don't screw 100% until all of them are right in the holes so that you can adjust slightly during the process of assembly.

2



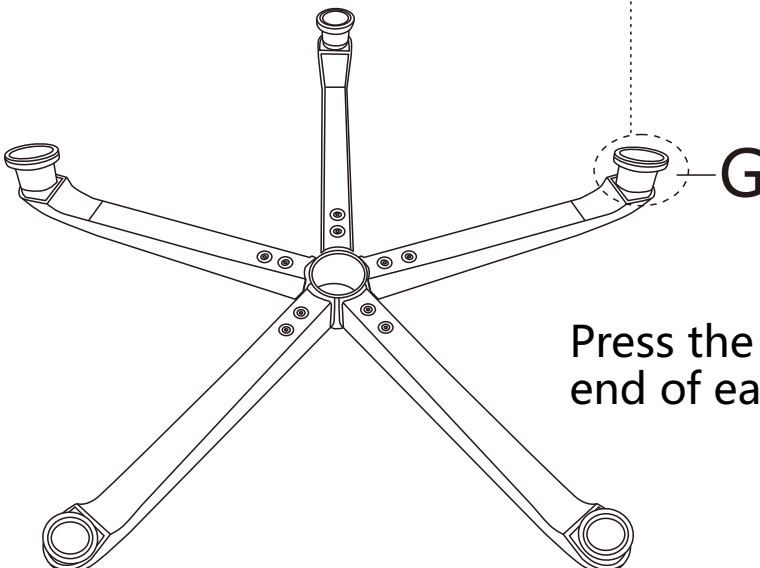
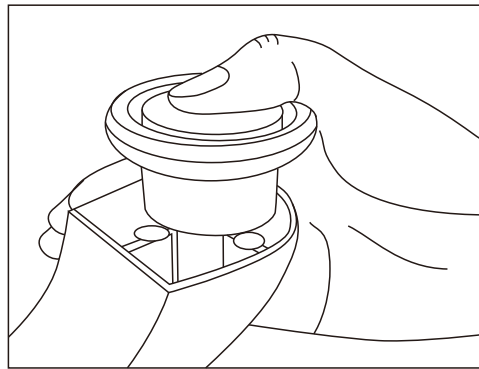
Attach the backrest(A) to the seat (B) with screws(J).Don't screw 100% until all of them are right in the holes so that you can adjust slightly during the process of assembly.

3



Sleeve each of the parts (E) into part F. Pass the screws (I) one by one through the holes in (E) and (F) and tighten them with allen key (L).

4

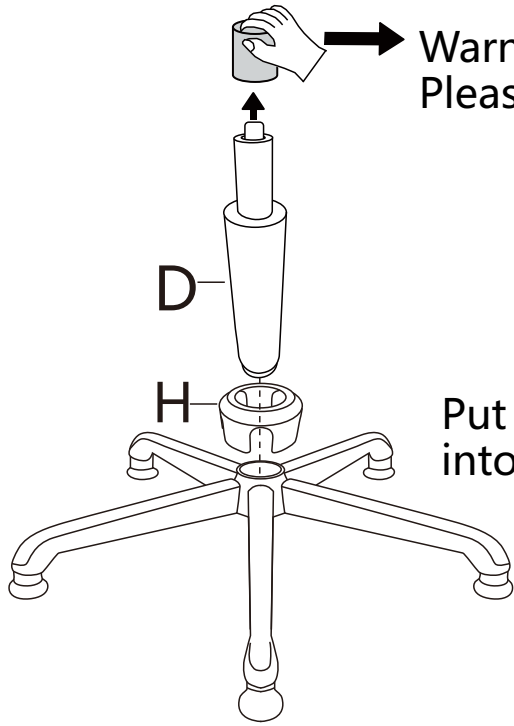


Press the parts (G) into the holes at the end of each leg of the base.

5. ⚠️⚠️⚠️ Confirmation of satisfaction with the base, seat section, materials, color and appearance, etc. and confirm that you wish to keep it for use, then you insert the gas lift.

Note that returns will not be easy after this step.

(as the gas lift is hard to remove and stops fitting into its original box, which means it will not be eligible for shipment.) !!!

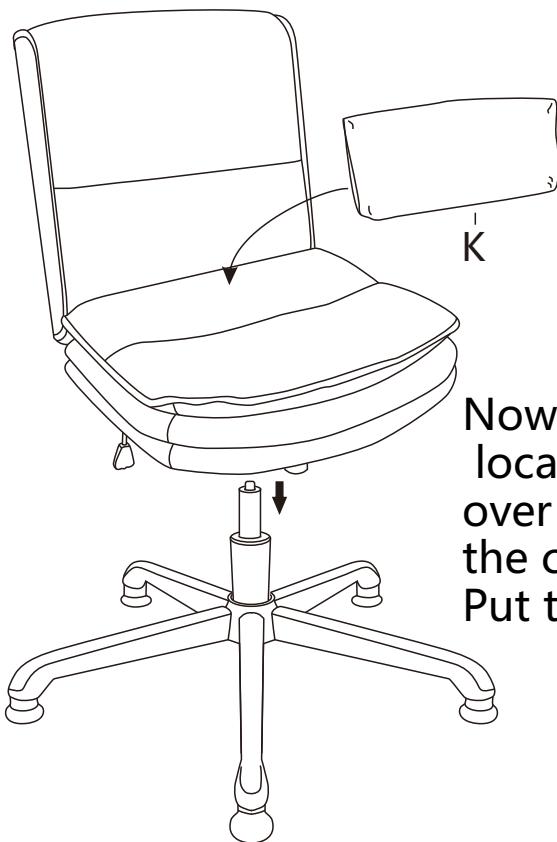


Warning!!!

Please remove the plastic cap during assembly!

Put in the decorative cover (H), insert the gas lift (D) into the center hole of the Star Base.

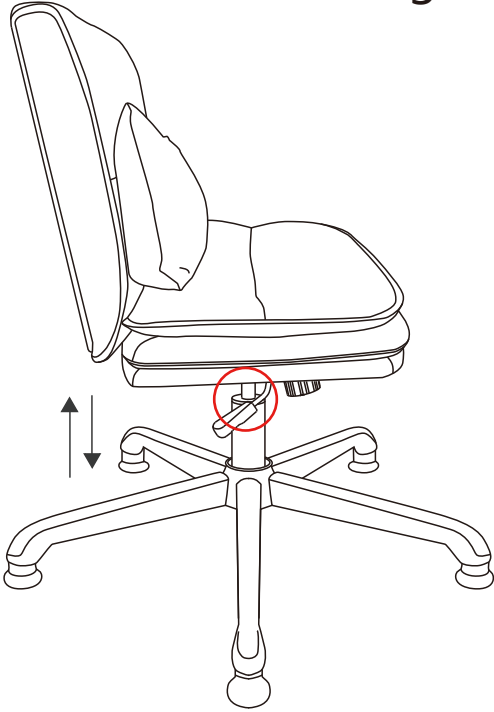
6



Now turn the assembled seat upright and locate the center hole of the mechanism over the gas lift. Push down firmly until the connection is secure. Put the cushion K on the chair.

7

Seat Height: Paddle-shaped lever on the right side.

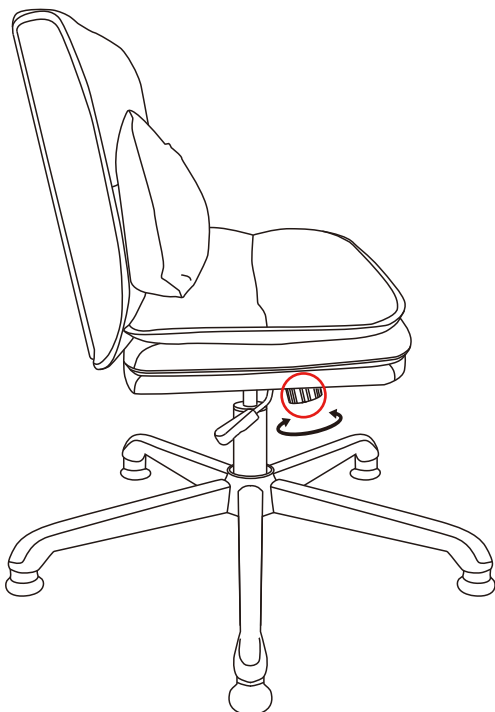


↑ To raise
while taking your weight off chair
lift lever up.

↓ To lower
while seated, lift lever up.

8

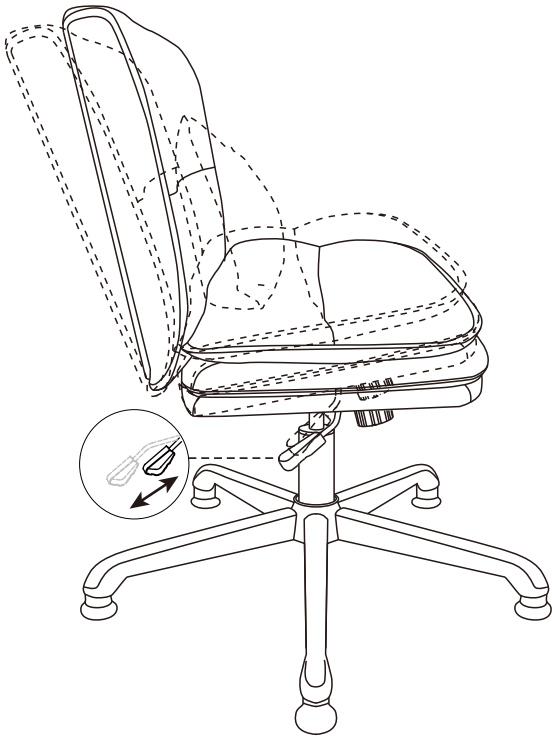
Tilt Tension: Long stem under the seat cushion with knob.



⤴ To increase tension:
while seated, turn knob forward
(toward + sign).

⤵ To decrease tension:
while seated, turn knob
backward (toward - sign).

9



Operating the tilt lock out.

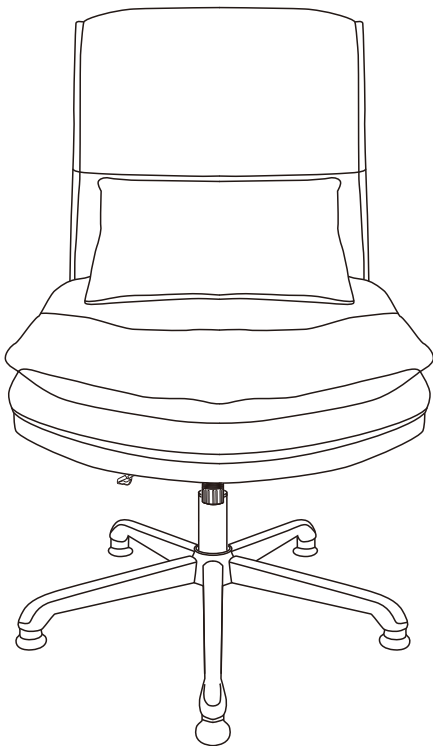


To let your chair tilt back, pull the control handle out.



To stop your chair from tilting, sit forward, then push the control handle in.

10 Assembly completed.



A warm reminder to our honored client:

If there is any part arrived damaged or defective, or any queries during the assembly, please feel free to contact the seller.

We are happy to work out the satisfied solution for you. Pictures if you could provide to us would be highly appreciated.

Hope this lovely home office desk chair could be a durable addition and convenience to your warm space!

