




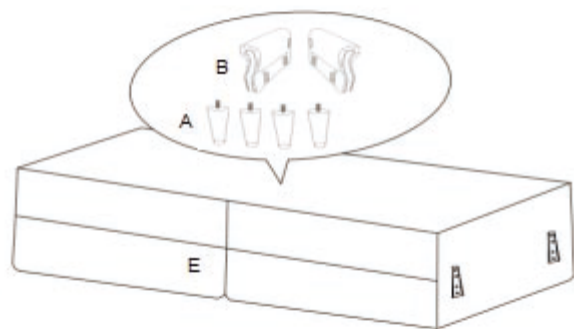


# ASSEMBLY INSTRUCTIONS

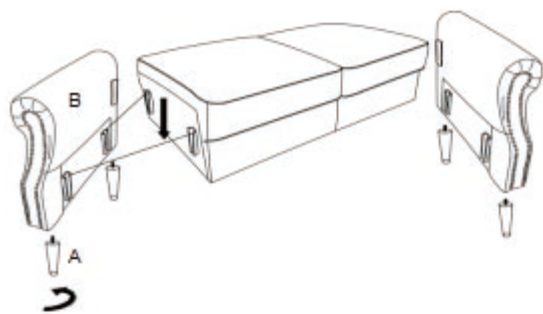
## PARTS LIST

Item						
Qty	A	4 PCS	B	2 PCS	C	2 PCS
Item						
Qty	D	1 PC	E	1 PC		

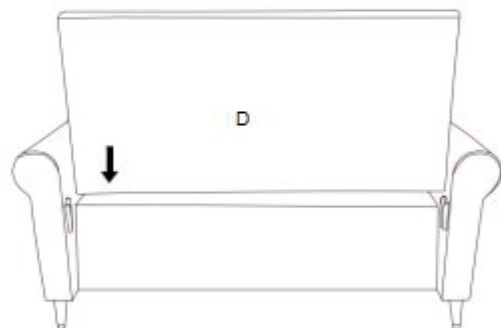
### Step 1



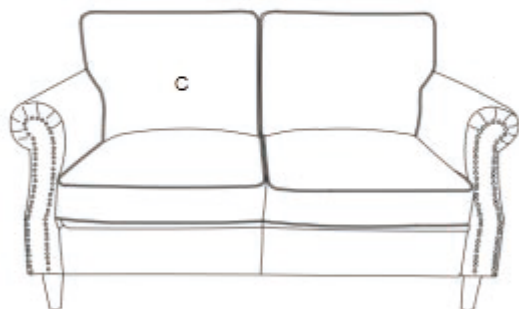
### Step 2



### Step 3



### Step 4





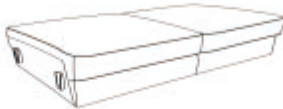


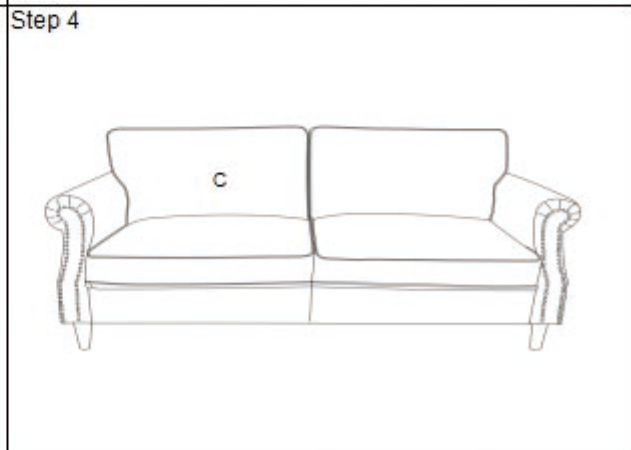
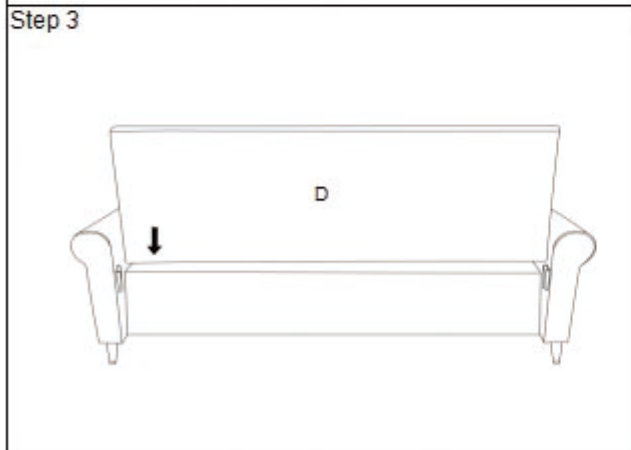
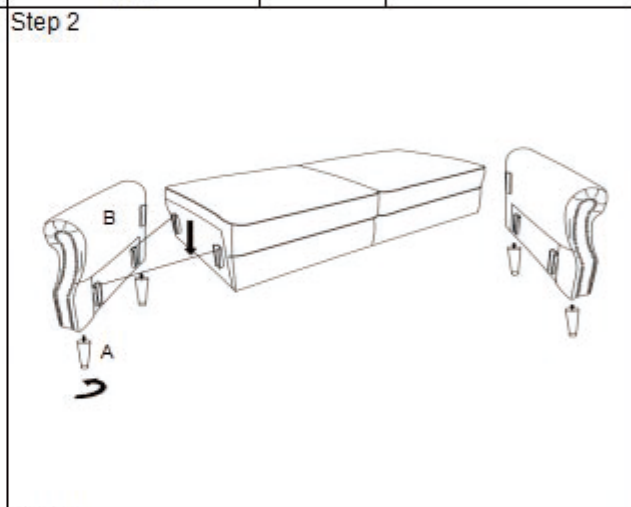
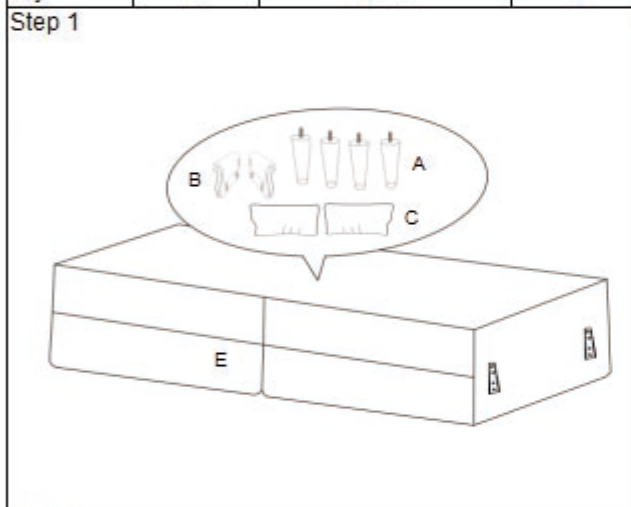
## PREVENTIVE MAINTENANCE AND WARNING!

\* EVERY 6 MONTHS, PLEASE MAKE SURE ALL BOLTS, SCREWS AND KNOBS ARE FULLY TIGHTENED TO ENSURE STABILITY.

# ASSEMBLY INSTRUCTIONS

## PARTS LIST

Item						
Qty	A	4 PCS	B	2 PCS	C	2 PCS
Item						
Qty	D	1 PC	E	1 PC		



## PREVENTIVE MAINTENANCE AND WARNING!

\* EVERY 6 MONTHS, PLEASE MAKE SURE ALL BOLTS, SCREWS AND KNOBS ARE FULLY TIGHTENED TO ENSURE STABILITY.