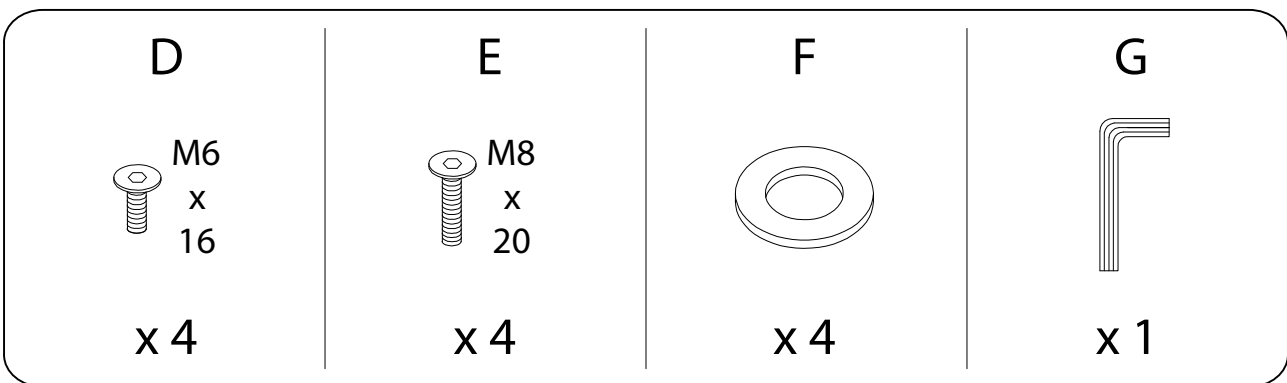
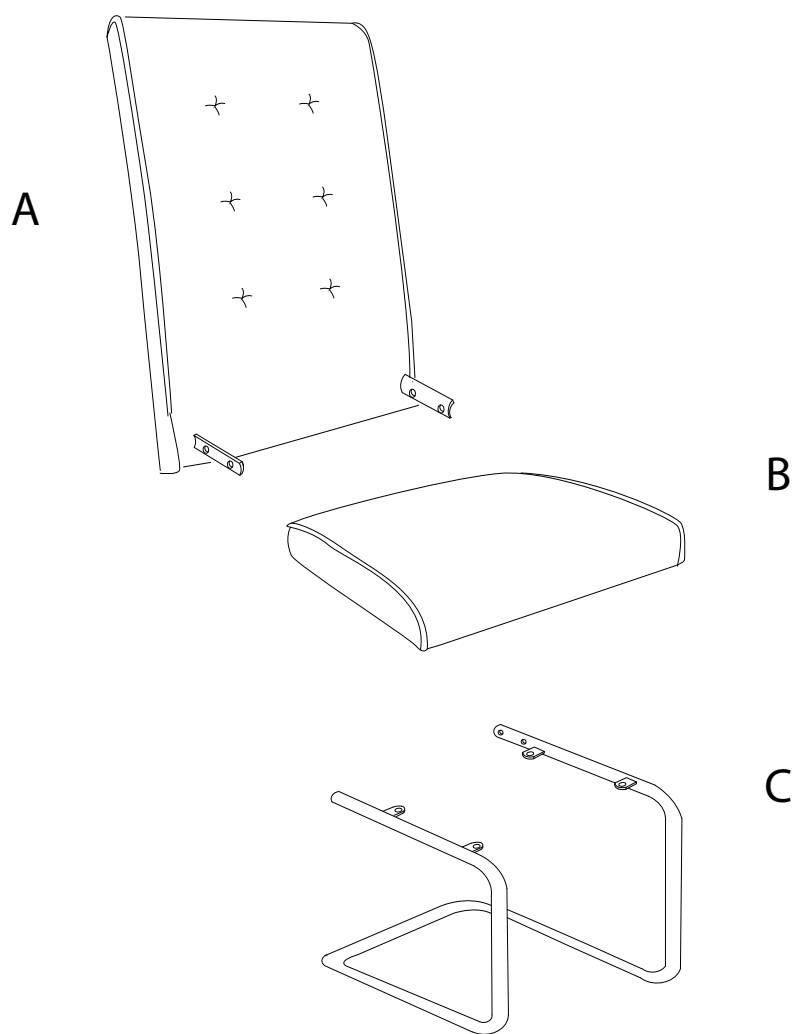
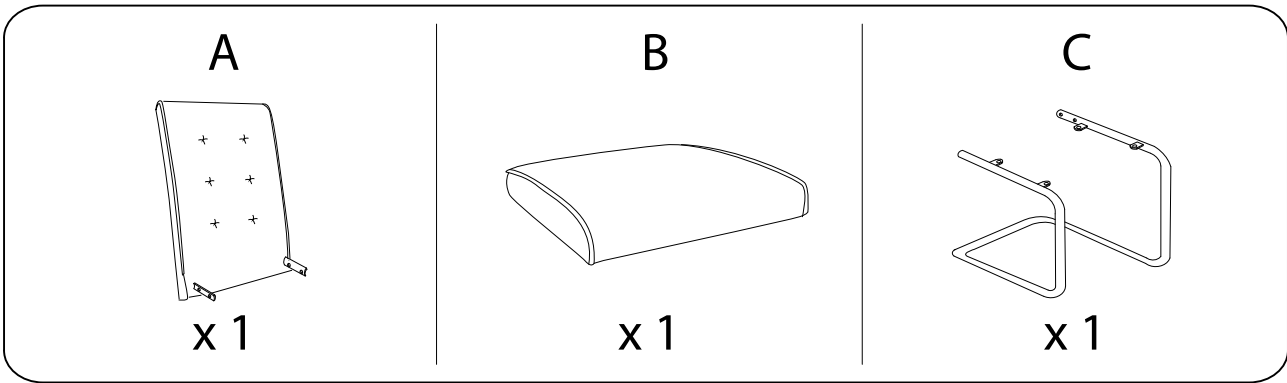


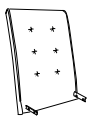
Diagram illustrating assembly instructions and safety warnings:

- Warning 1:** A warning triangle with an exclamation mark is shown next to a circular inset containing an L-shaped metal bracket and a crossed-out power drill icon, indicating that a power drill should not be used for this step.
- Warning 2:** A second warning triangle with an exclamation mark is shown next to a circular inset containing a rectangular block being placed on a textured surface and a crossed-out icon of the block being placed on a smooth surface, indicating that the block should be placed on a textured surface.
- Time:** A clock icon is shown next to the text "15'", indicating a 15-minute assembly time.
- Person:** An icon of a person is shown next to the number "1", indicating that one person is required for assembly.



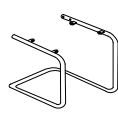
1

A



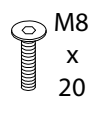
x 1

C



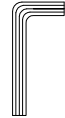
x 1

E

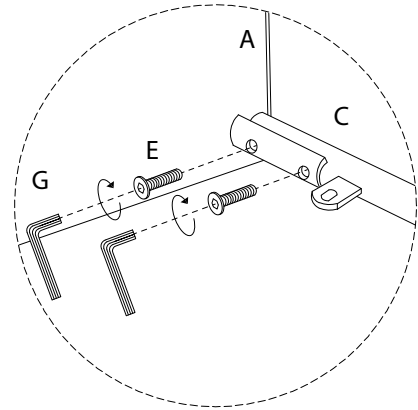
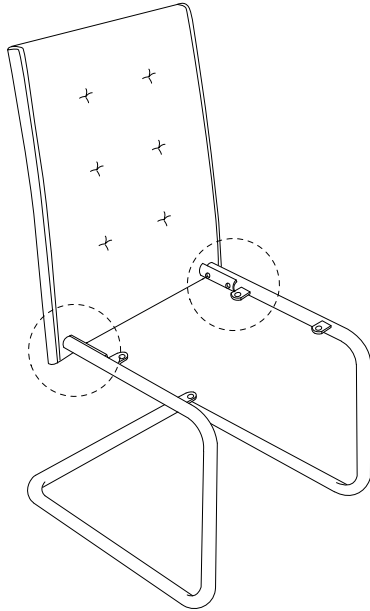


x 4

G

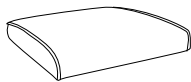


x 1



2

B



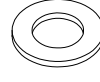
x 1

D



x 4

F



x 4

G



x 1

