

ASSEMBLY INSTRUCTIONS



ASSEMBLY INSTRUCTIONS

ASSEMBLY TIPS:

1. Remove hardware from box and sort by size.
2. Please check to see that all hardware and parts are present prior to start of assembly.
3. Please follow attached instructions in the same sequence as numbered to assure fast & easy assembly.





Warning!

1. Don't attempt to repair or modify parts that are broken or defective. Please contact the store immediately.
2. This product is for home use only and not intended for commercial establishments.





ASSEMBLY TIME	5 MINUTES
---------------	-----------

PARTS IDENTIFICATION

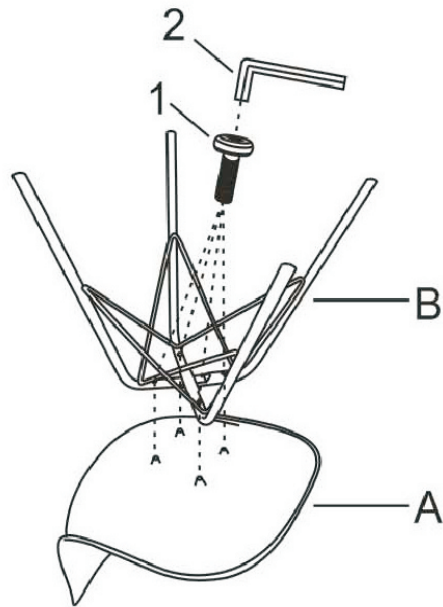
	PART NAME	FIGURE	QTY
A	SEAT		1PC
B	BASE		1PC

HARDWARE IDENTIFICATION

	HARDWARE NAME	FIGURE	QTY
1	BOLTS M6x25MM		4PCS
2	ALLEN WRENCH M6		1PC

ASSEMBLY INSTRUCTIONS

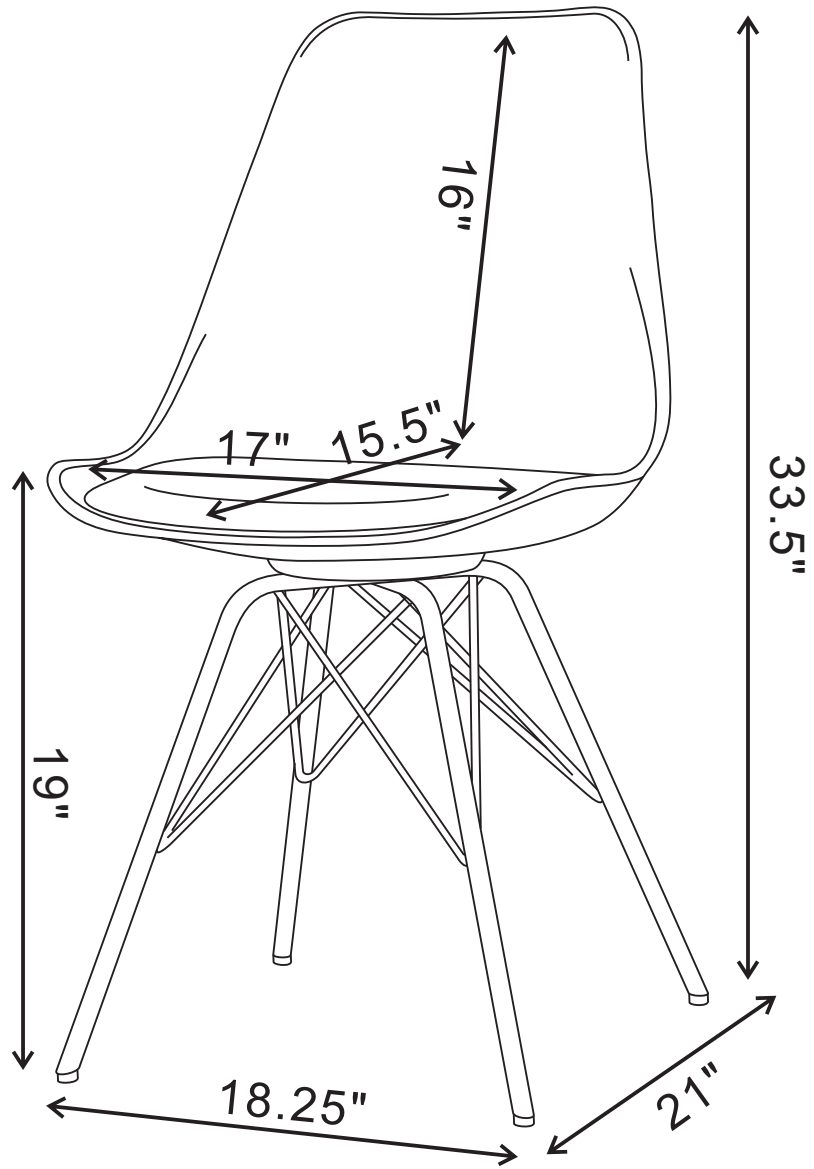
STEP1



STEP2



ASSEMBLY INSTRUCTIONS



Note: Dimension tolerance $\pm 5\%$