

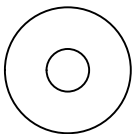
(H1) x 8 (M6x60)  
countersunk hex head  
wood screws



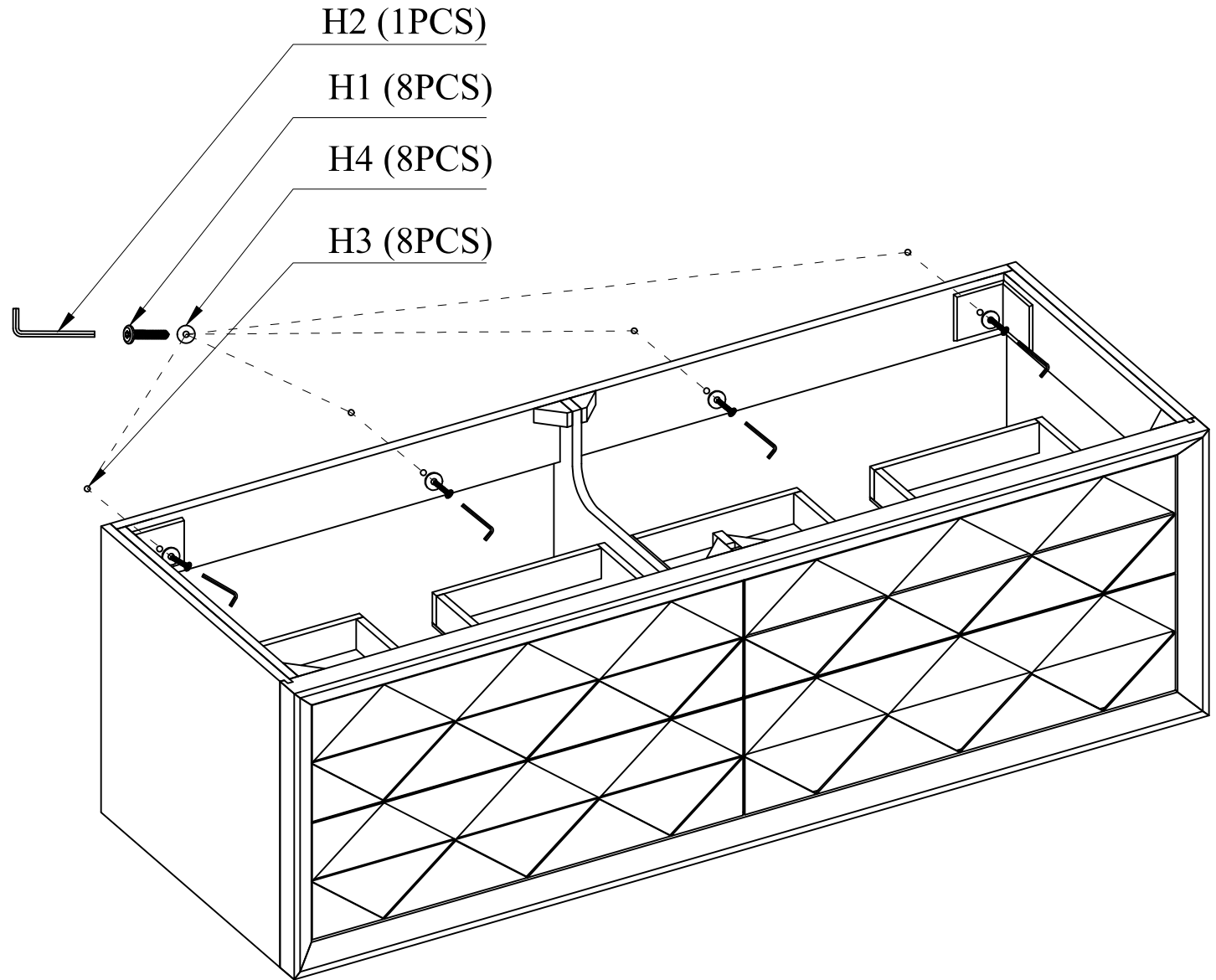
(H2) x 1  
Hexagon buckle



(H3) x 8  
plastic switch



(H4) x 8  
plastic switch



Assembly instructions