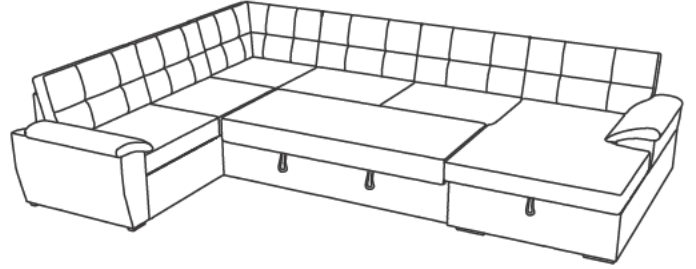
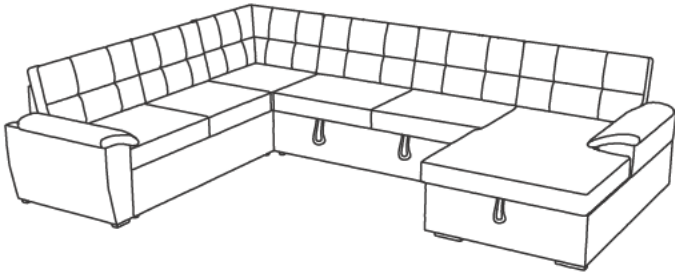


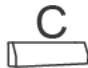





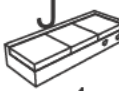

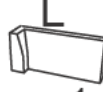




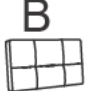











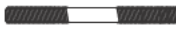



# ASSEMBLY INSTRUCTION

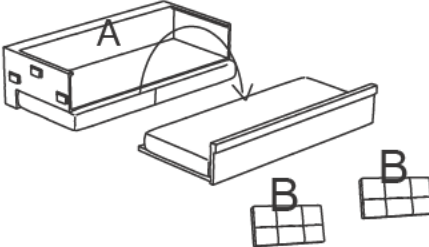
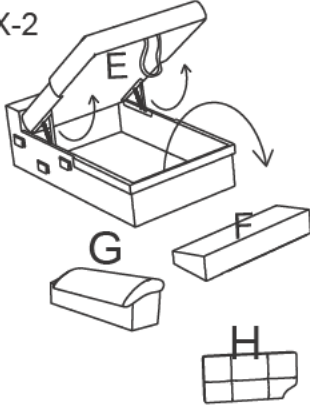
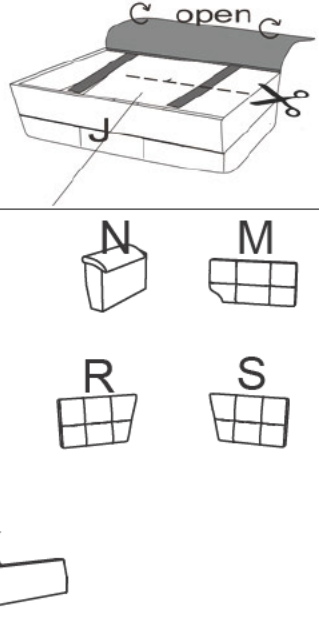


## PARTS LIST

BOX-1	BOX-2	BOX-3
 x1  x2  x1  x1	 x1  x1  x1  x1	 x1  x1  x1  x1  x1  x1  x1  x1

## HARDWARE LIST

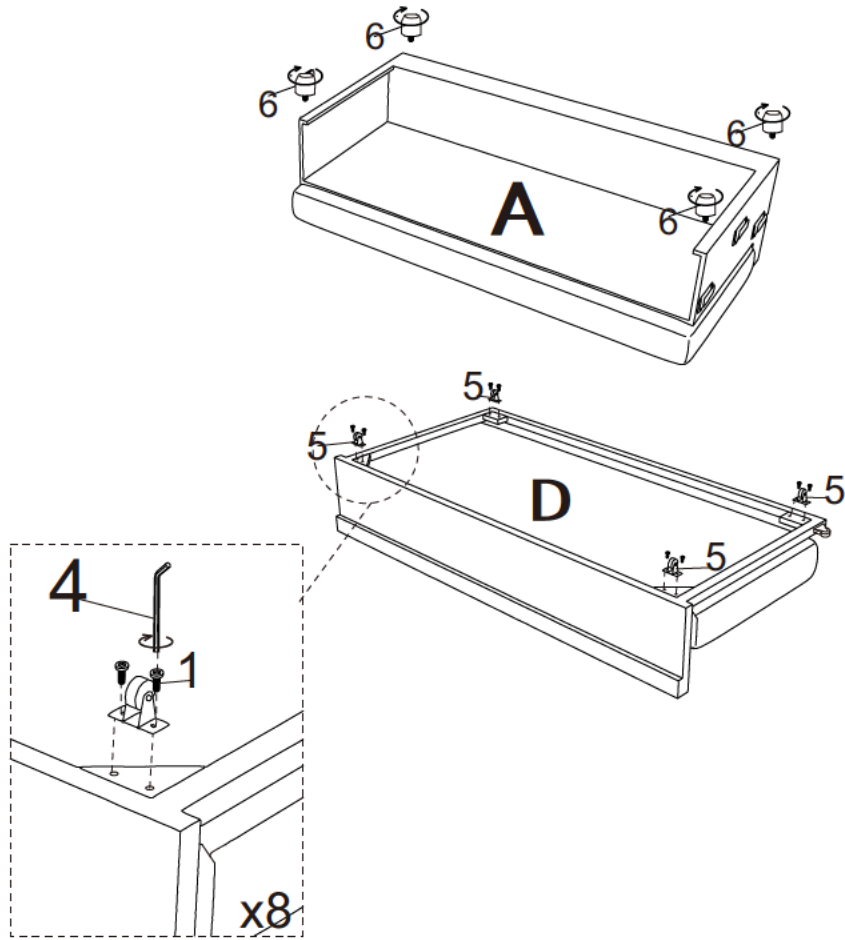
 $\varnothing$ 1/4*1" <b>1</b> x8	 $\varnothing$ 1/4*2" <b>2</b> x10	 13mm <b>3</b> x10	 <b>4</b> x1	 <b>5</b> x4	 <b>6</b> x10	 <b>7</b> x2	 <b>8</b> x10	 <b>9</b> x2
 <b>10</b> x1	 22mm <b>11</b> x1	 <b>12</b> x1	 <b>13</b> x1					

<b>BOX-1</b> 	<b>BOX-2</b> 	<b>BOX-3</b> 
--	---	---

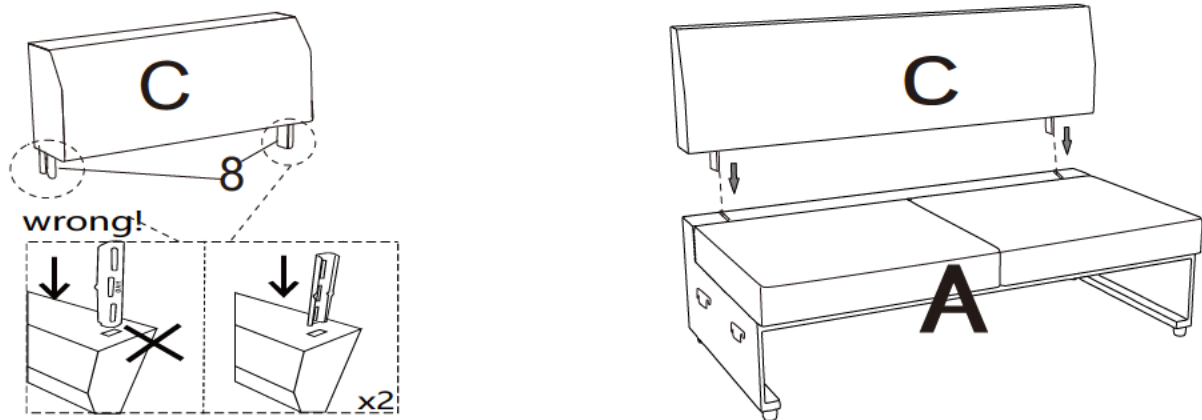
# ASSEMBLY INSTRUCTION

BOX-1

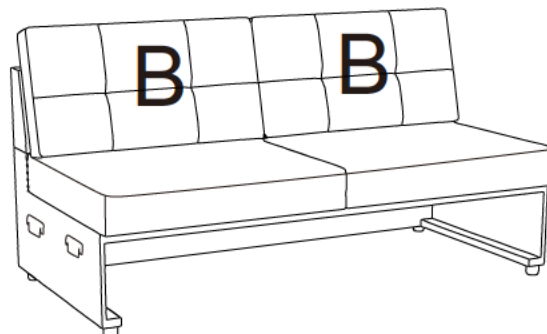
Step1



Step2



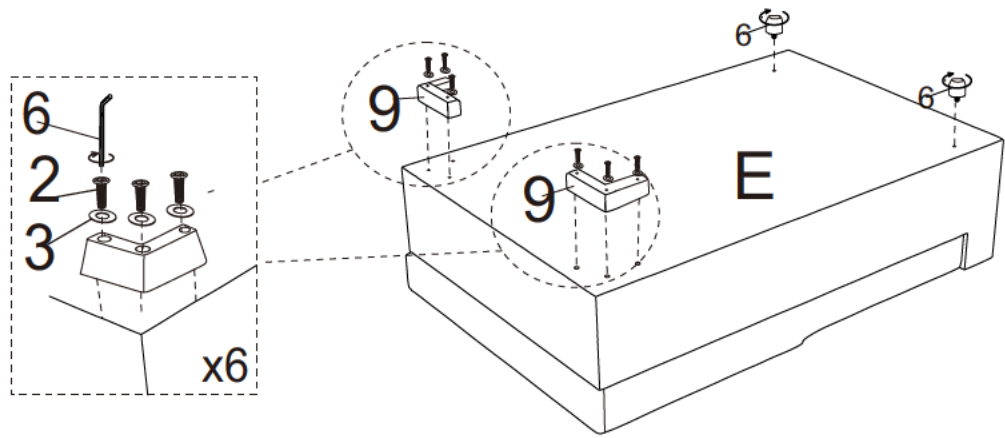
Step3



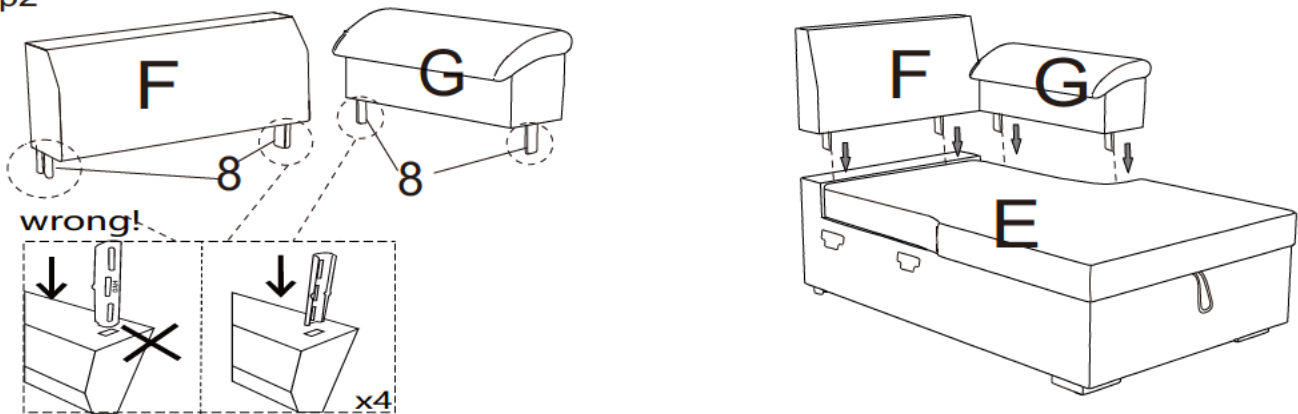
# ASSEMBLY INSTRUCTION

## BOX-2

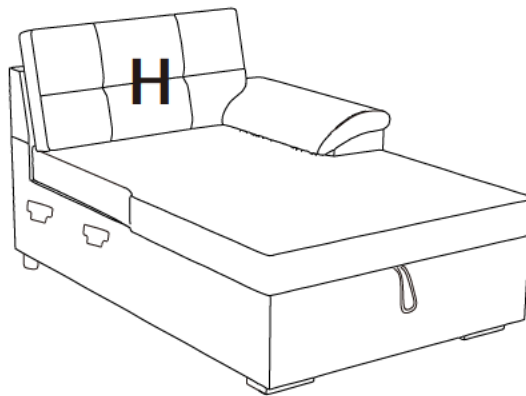
### Step1



### Step2

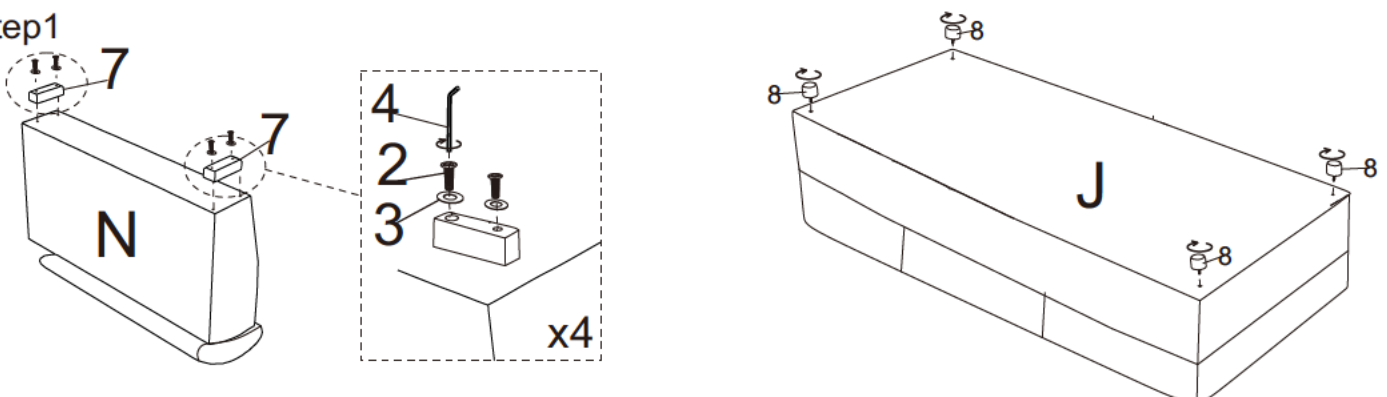


### Step3



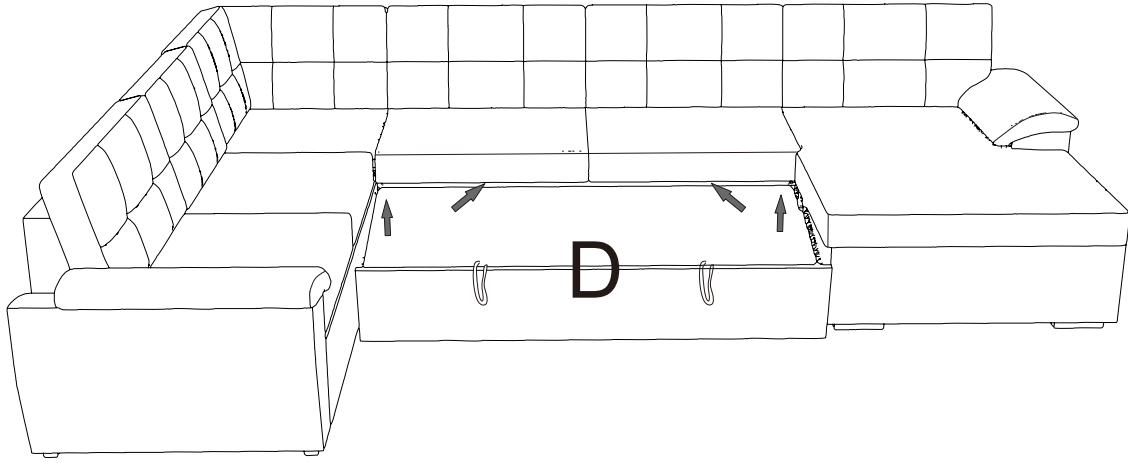
## BOX-3

### Step1

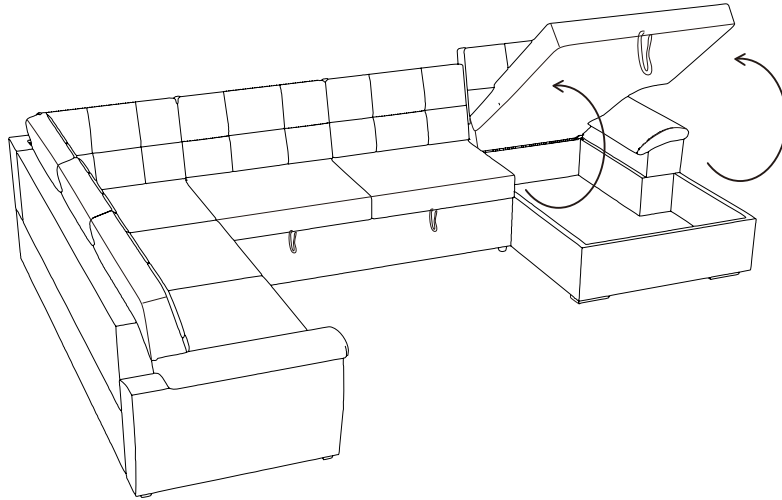




Step11



Step12



Step13

