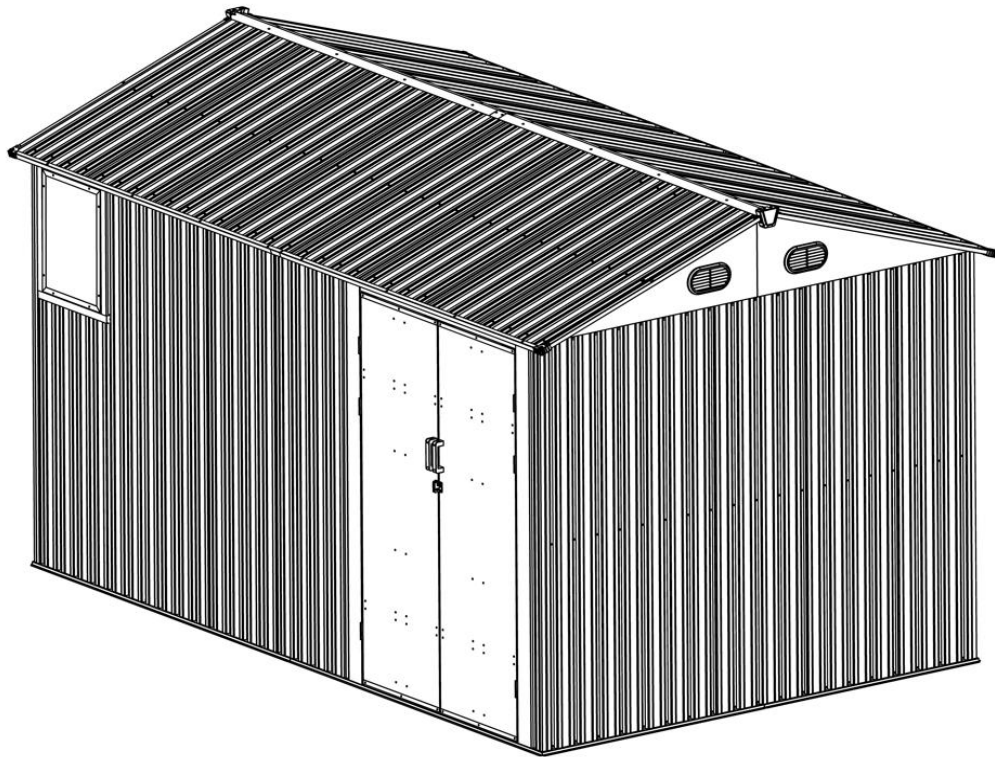




12*8ft Garden Metal Garage Shed Installation Instructions L146.7" X W89.4" XH89.3"



Thank you for choosing us!

Please let us know if you have any concerns.

Scan for installation video

CHERY INDUSTRIAL
www.cheryindustrial.com
T: 888-589-8148
E:service@cheryindustrial.com



The product comes in three cartons. Please install in a leveled place.

Site Selection

Avoid overhanging trees as much as possible as leaves will make regular cleaning necessary and broken branches are a potential hazard. | Small trees, bushes or fences nearby can be helpful, acting as a wind break.

Site Preparation

The site must be prepared so that the base of the shed is level all round and checking with a spirit level is required. The base can be constructed by treated timber or concrete, in order to stop the moisture getting into the shed. The shed is not designed to be built onto lawn directly. Also the ground will get muddy during rainy days. If a concrete pad is made, it is important that this slopes towards the edges to prevent water ingress. Time must be allowed for any concrete or cement to dry before building the shed on top. Bases can also be constructed from bricks, blocks, or mounted on a concrete pad. The bricks or blocks should be cemented onto firm and level concrete footings.

Please prepare below tools before installation. (Not Included)



Electric Screwdriver



+ Manual Screwdriver



Ladder



Spanner

Package included Tools



Gloves X 1 Pair

ATTENTION:

1. Please read this instruction carefully before installation and follow it strictly during installation.
2. Ensure that there are no problems later due to installation errors.
3. We have prepared extra screws for you to use in case of loss or damage.
4. If you can not finish installation within one day, pls do fix the anchor bolts first to prevent heavy wind blow away. Many cases already occurred pls do be careful.

Installation Notes

Please check the quantity of all parts before installation (refer to the Parts Lists) and the appearance of the products. Make sure the product is correct before installation.

Make sure the colored panels are facing outwards and all the holes match. The panels are textured, please install the panels in the order specified in the instructions. All lines and holes should be matched to make the storage shed more stable. Please ensure that all screws are tightened to prevent the product from falling apart.

There is a protective film on the surface to protect the product, you can tear it off after installation. If you do not damage the film during installation, it can also remain on the product to protect.

Please place the product on a flat ground to prevent leaning and collapse. If the ground is uneven, the door may can't be closed.



Safety Precautions

We recommend two adults to complete the installation. Two adults installed together will make the installation process easier and safer.

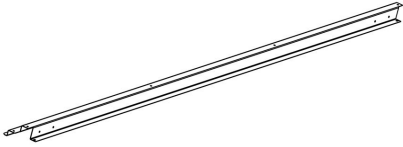
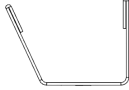
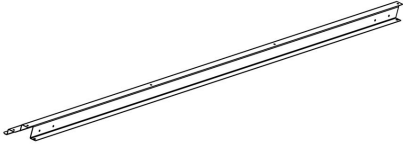
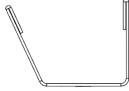
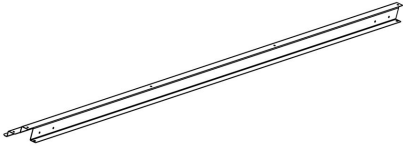

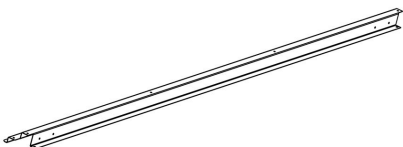


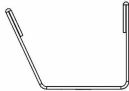






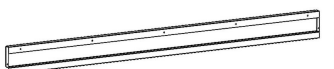



The gloves must be carried to prevent hand cuts during installation.







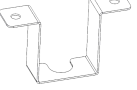


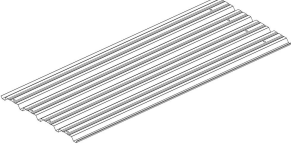
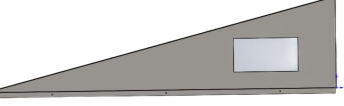
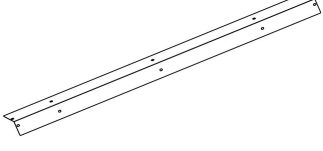

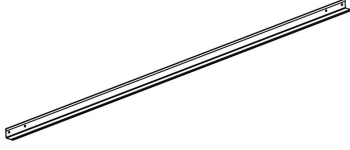

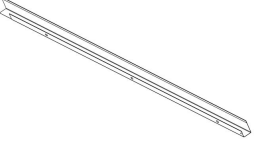
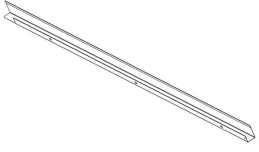




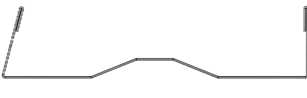
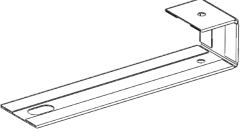
Take care when using power tools near water the use of a residual current device (RCD) is advised. Please use the electric driver carefully during screwing to prevent the screw from slipping and hurting your hand.

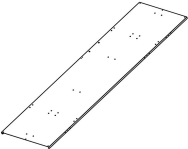
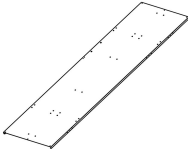
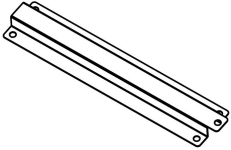
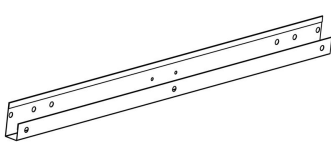
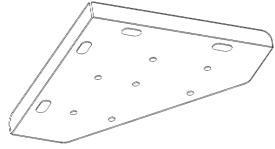

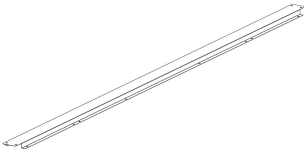
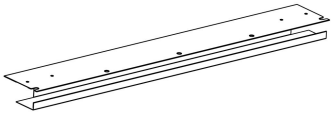
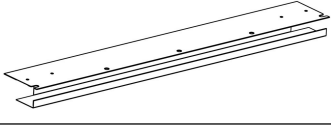
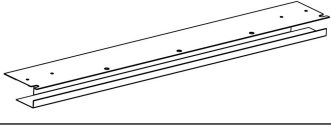
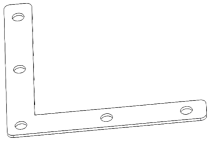
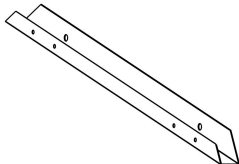
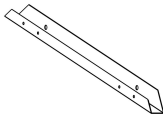
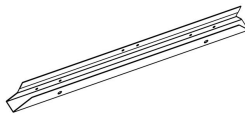

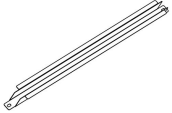
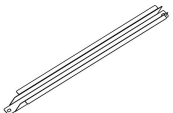
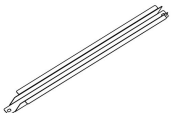
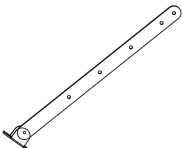
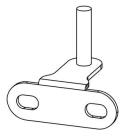
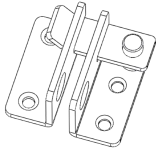
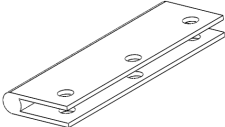
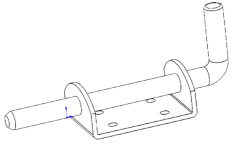
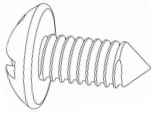
Be careful not to fall when installing the roof. Please steady the ladder and make sure the product placed on a flat ground.

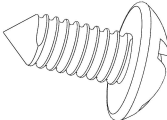

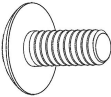
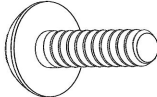

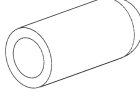
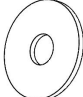
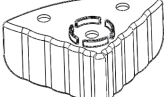


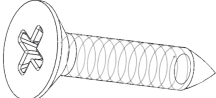

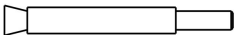

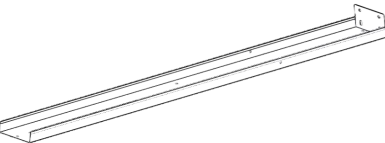
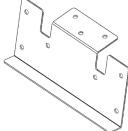
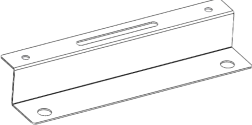
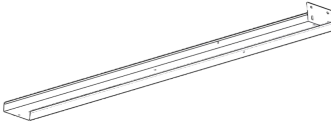
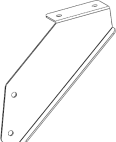


PLEASE KEEP THIS INSTRUCTION FOR FUTURE REFERENCE.

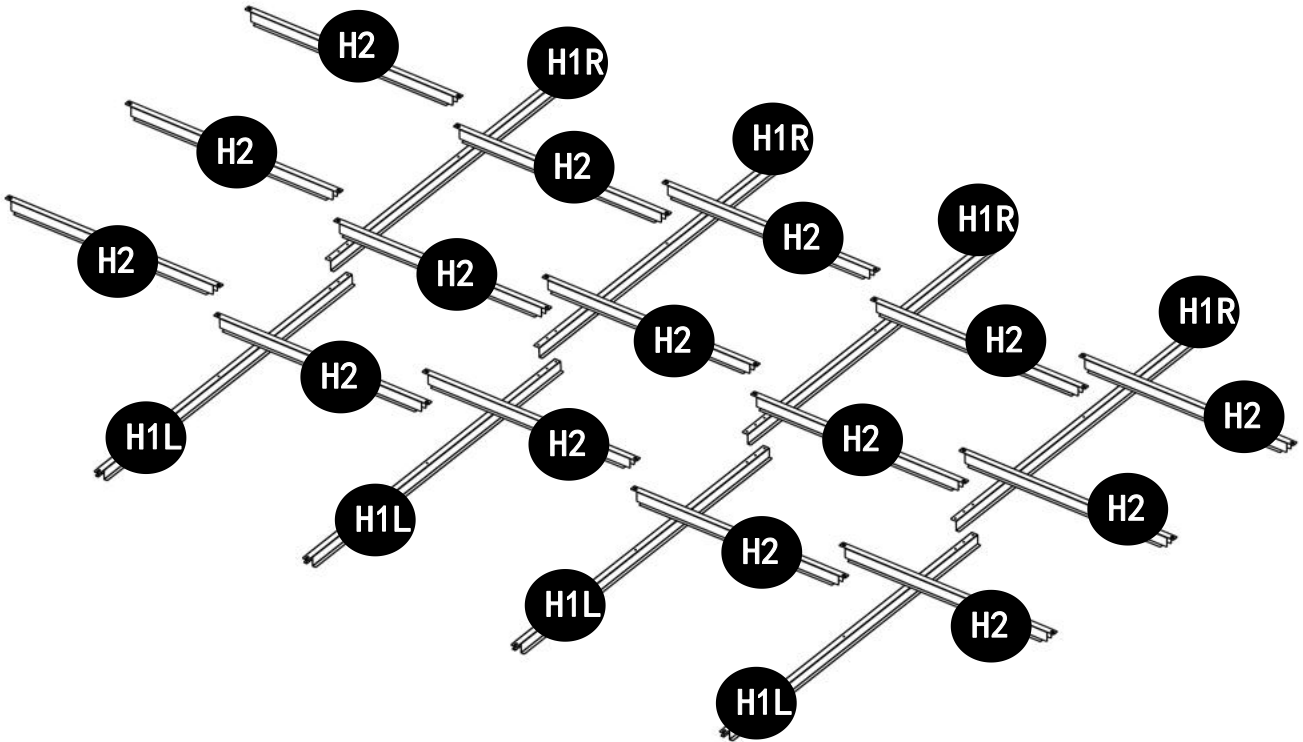
Component List

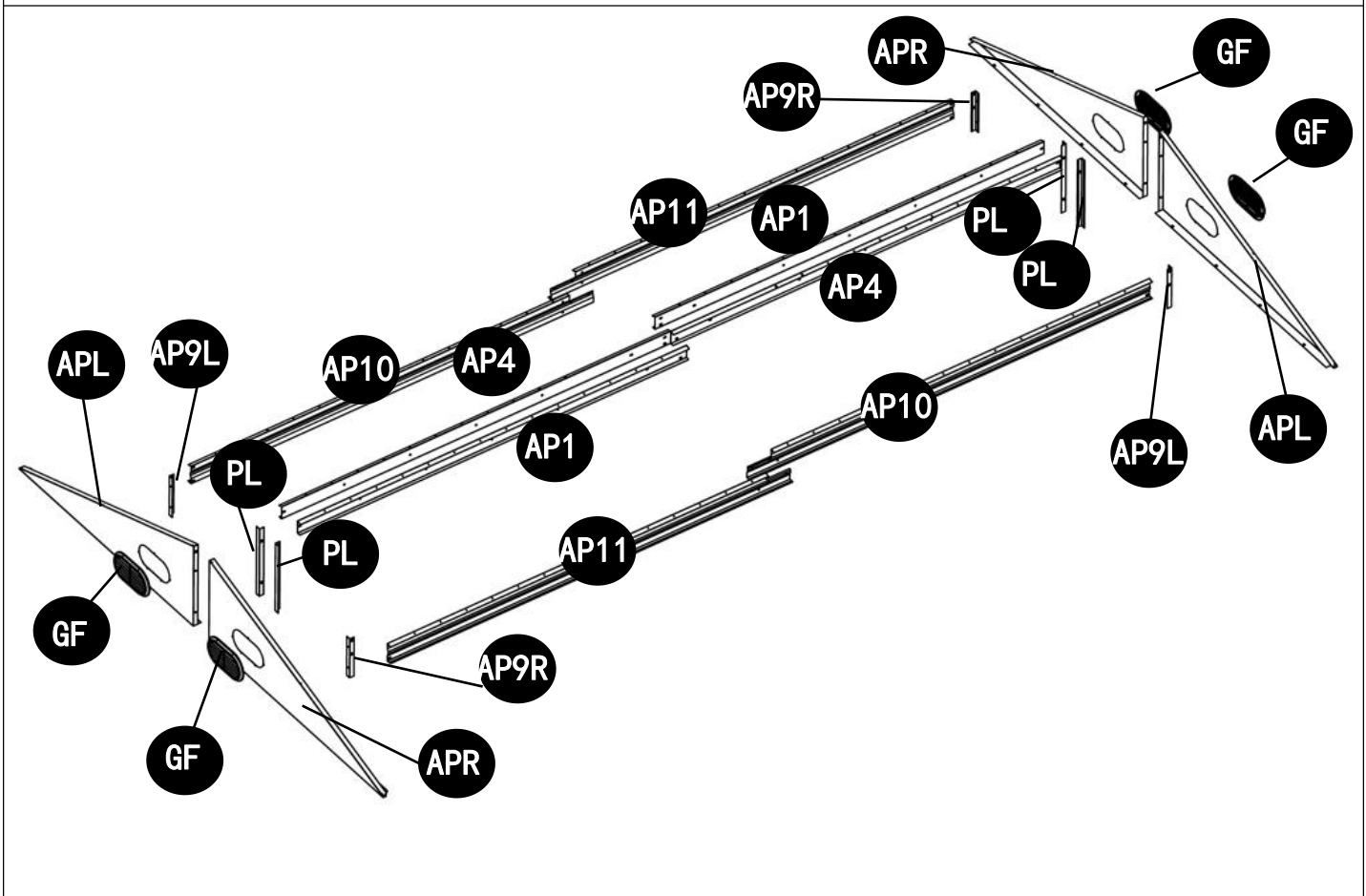
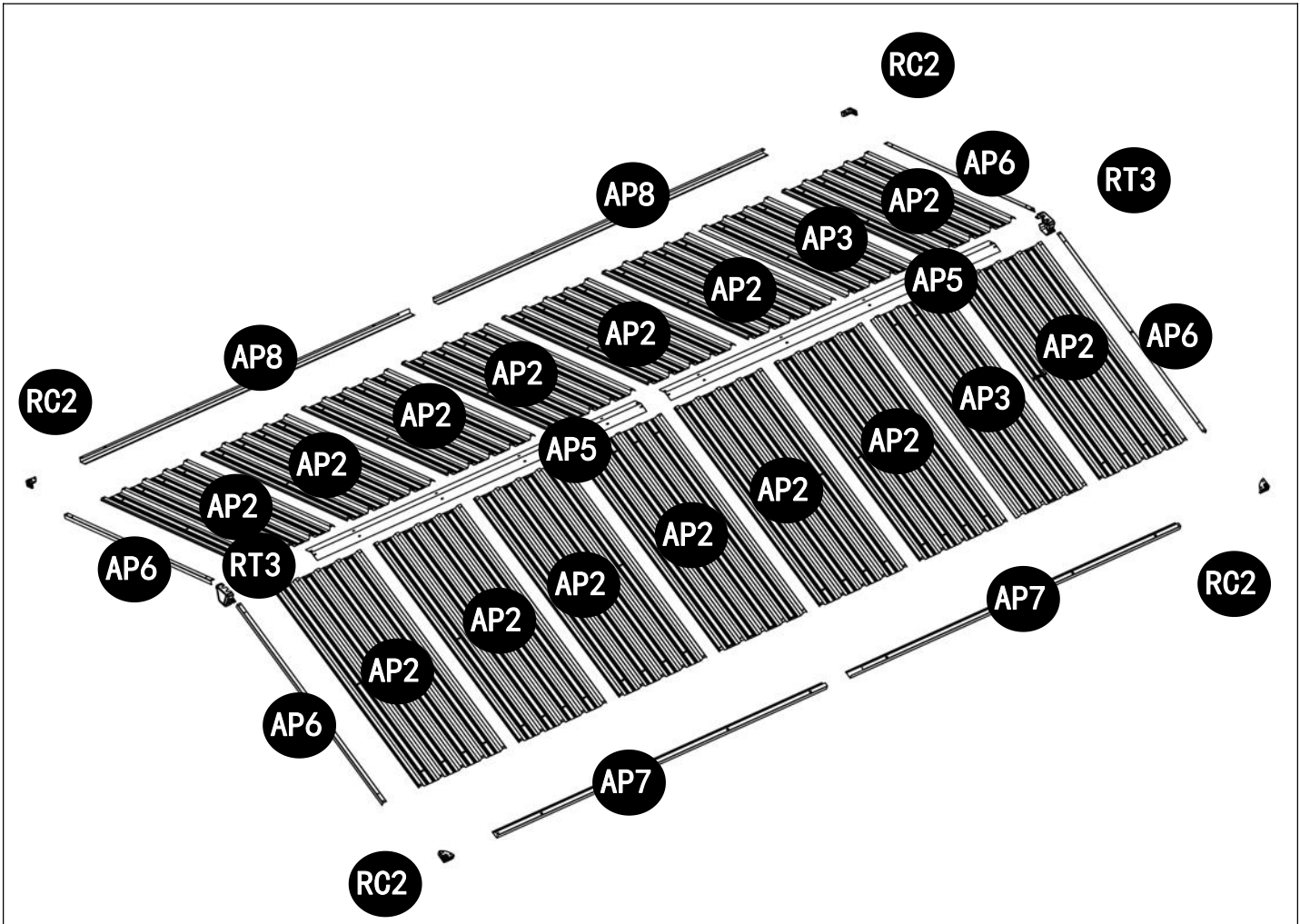
Part	No	Qty	Part	No	Qty
	4L	2		8	1
	4R	2		7	1
	1L	2		12L	1
	1R	2		12R	1
	P4	1		10R	1
	P3	1		10L	1
	P1	4		6R	2
	P2	16		6L	2
	2	1		9L	1
	P5	1		9R	1

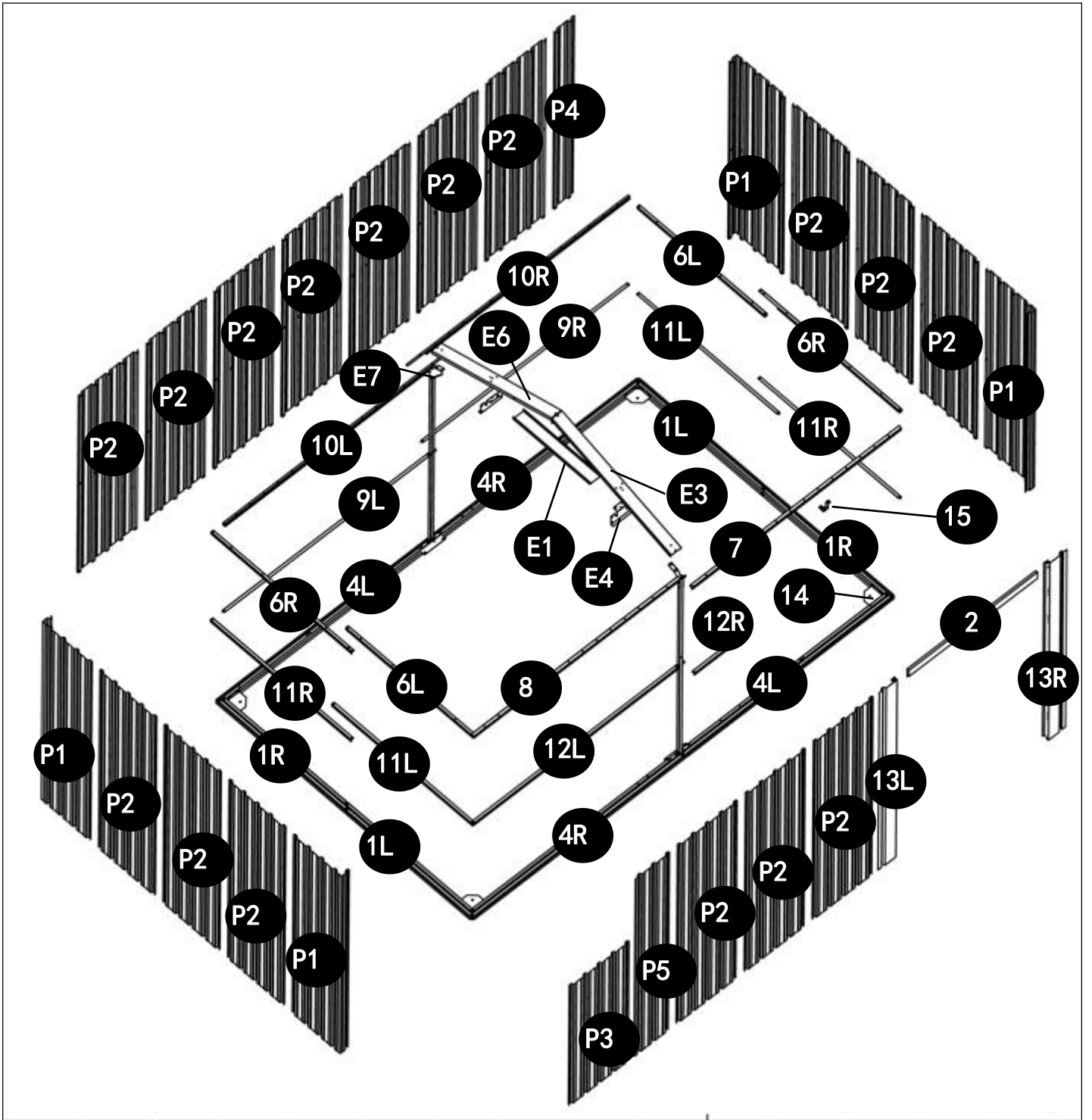
	13L	1		11R	2
	13R	1		11L	2
	14	4		AP1	2
	15	1		AP4	2
	APL	2		AP2	14
	APR	2		AP5	2
	PL	4		AP6	4
	A1	1		AP7	2
	AP8	2		AP3	2
	AP9L	2		AP9R	2
	AP10	2		AP11	2
	C	4			

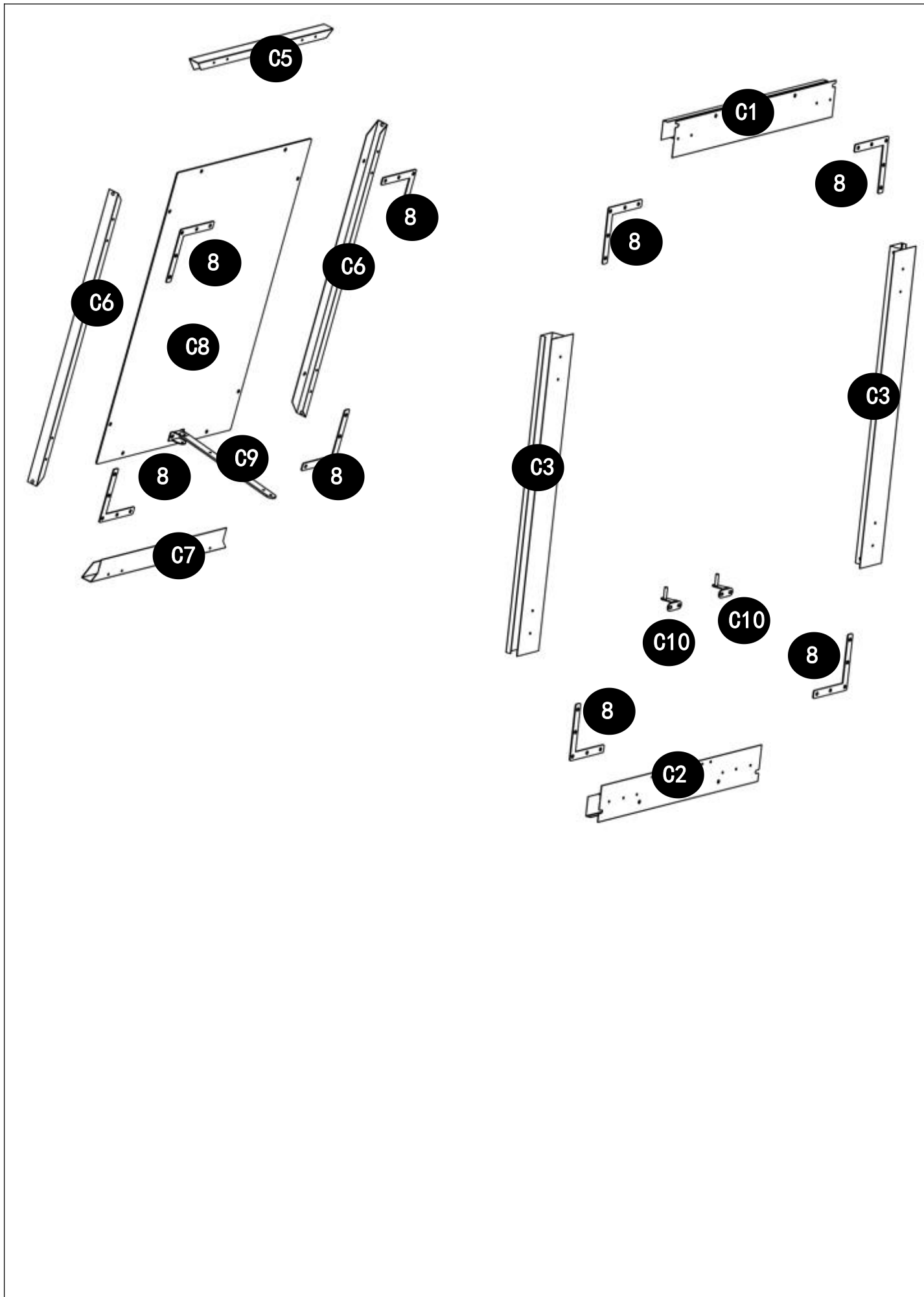
	D1	1		D2	1
	D3	8		D4	4
	D5	8		D6	1
	D7	2		C1	1
	C2	1		C3	2
	C4	8		C5	1
	C6	2		C7	1
	C8	1		H1L	4
	H1R	4		H2	15
	C9	1		C10	2
	GB	1		S1	6
	S2	2		F4	20

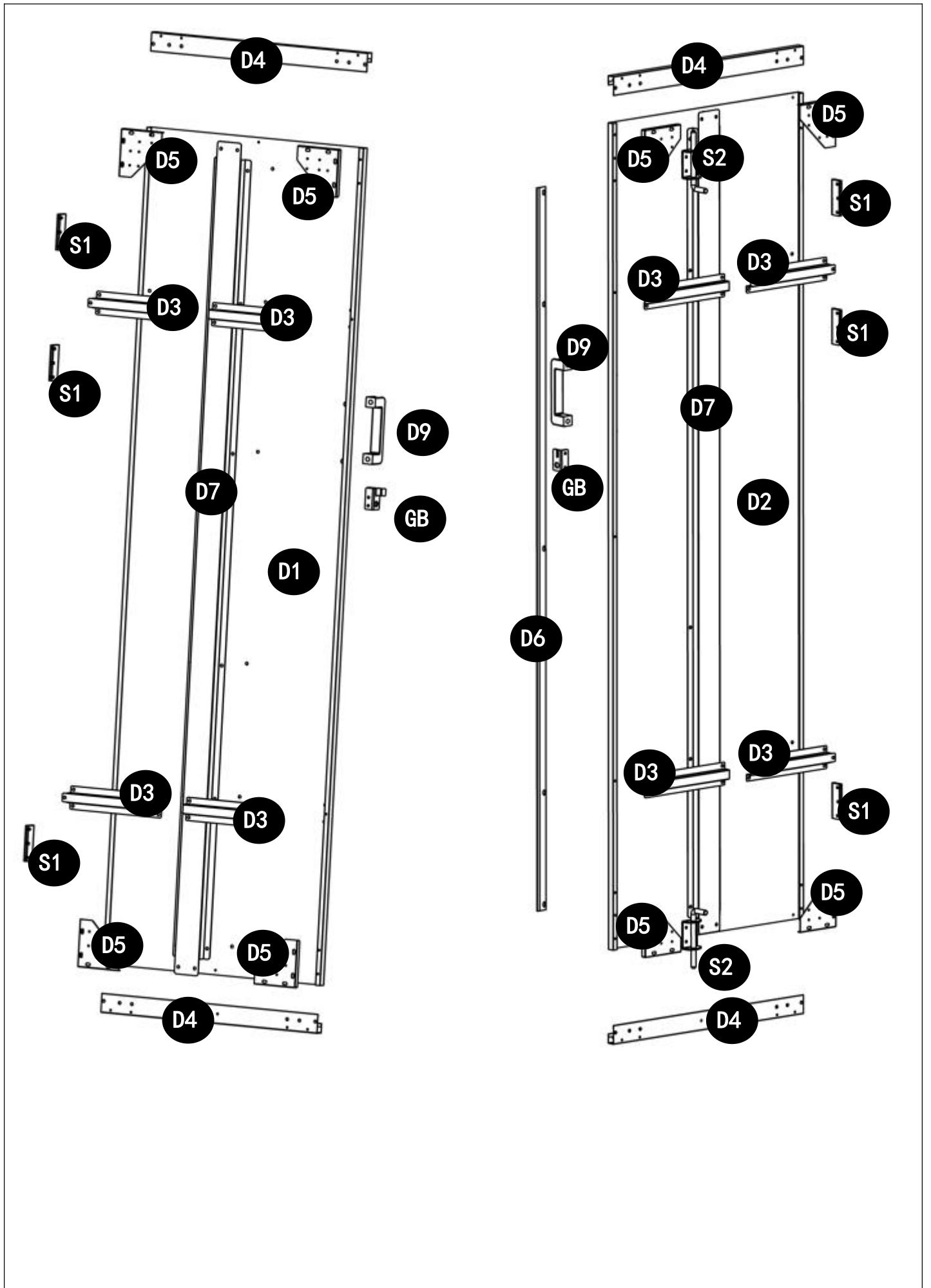
	F1	645		F6	117
	F2	117		F12	4
	F17	4		F8	222
	F7	411		RC2	4
	GF	4		RT3	2
	F11	40		D9	2
	GE	6		E1	1
	E3	1		E4	2
	E5	2		E6	1
	E7	2		E8	2
	E9	12			






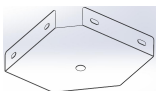






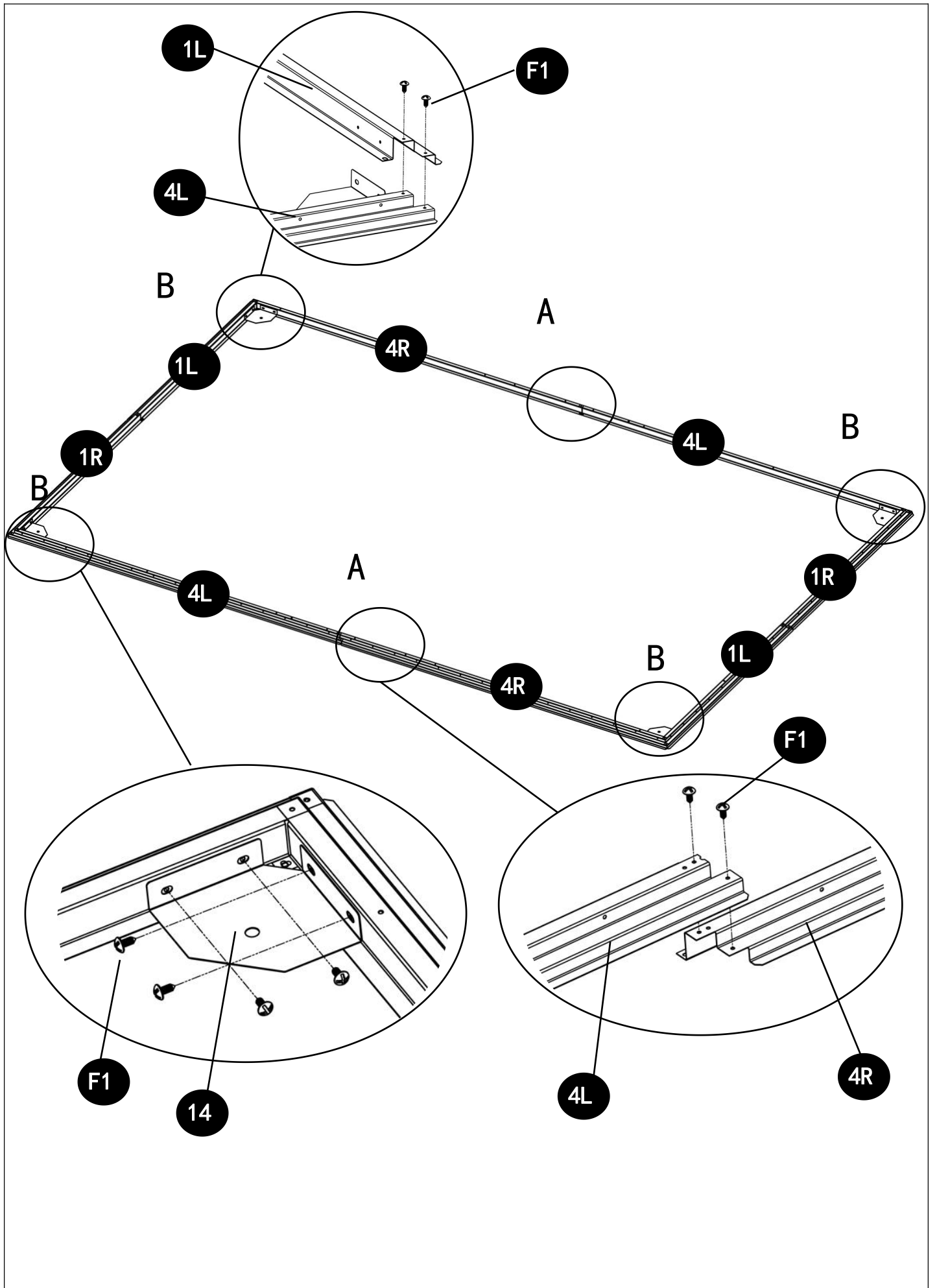




1.Base Frame Assembly

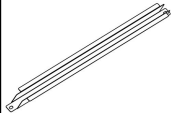
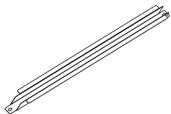
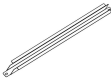

1. Connect 4L, 4R, 1L, and 1R with F1 screws;
2. Connect 14 to 4L, 4R, 1L, 1R and secure with F1

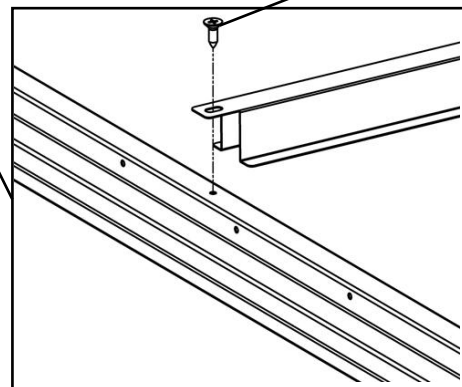
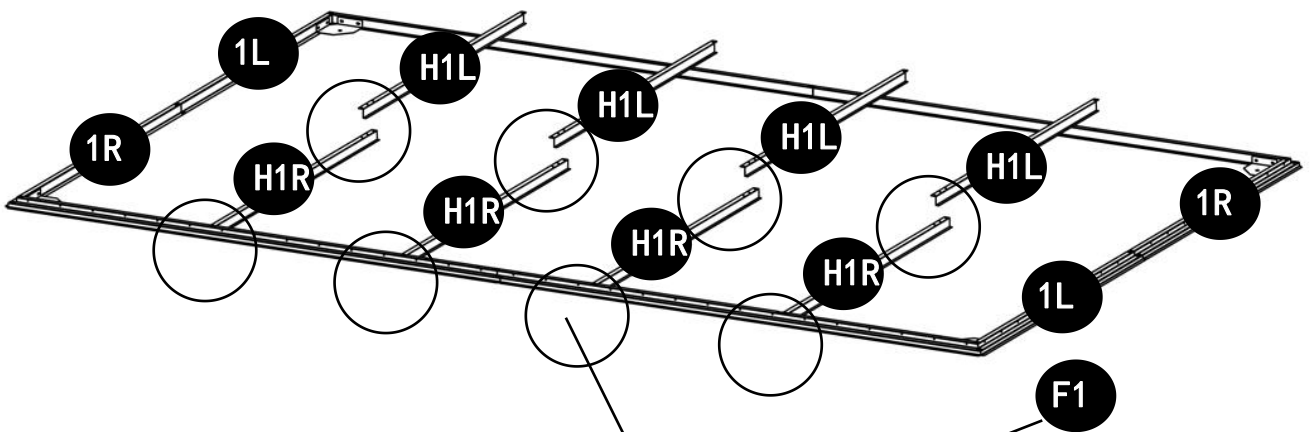
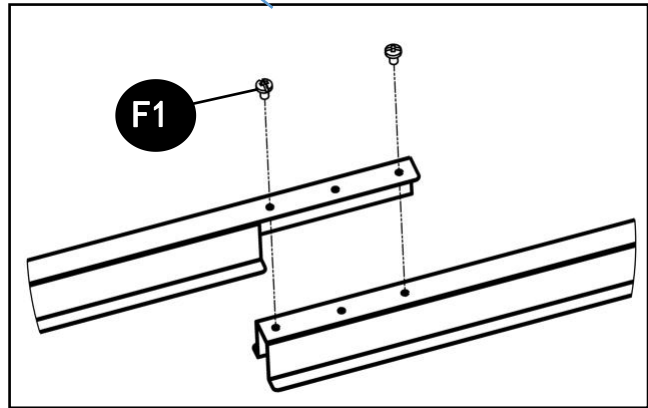
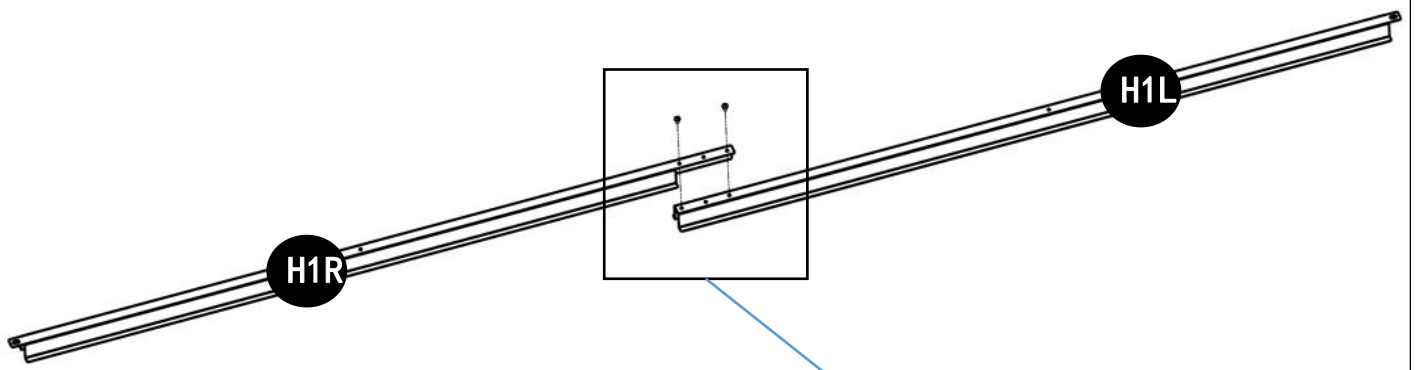
Part	No	Qty	Part	No	Qty
	4L	2		14	4
	4R	2		F1	28
	1L	2			
	1R	2			

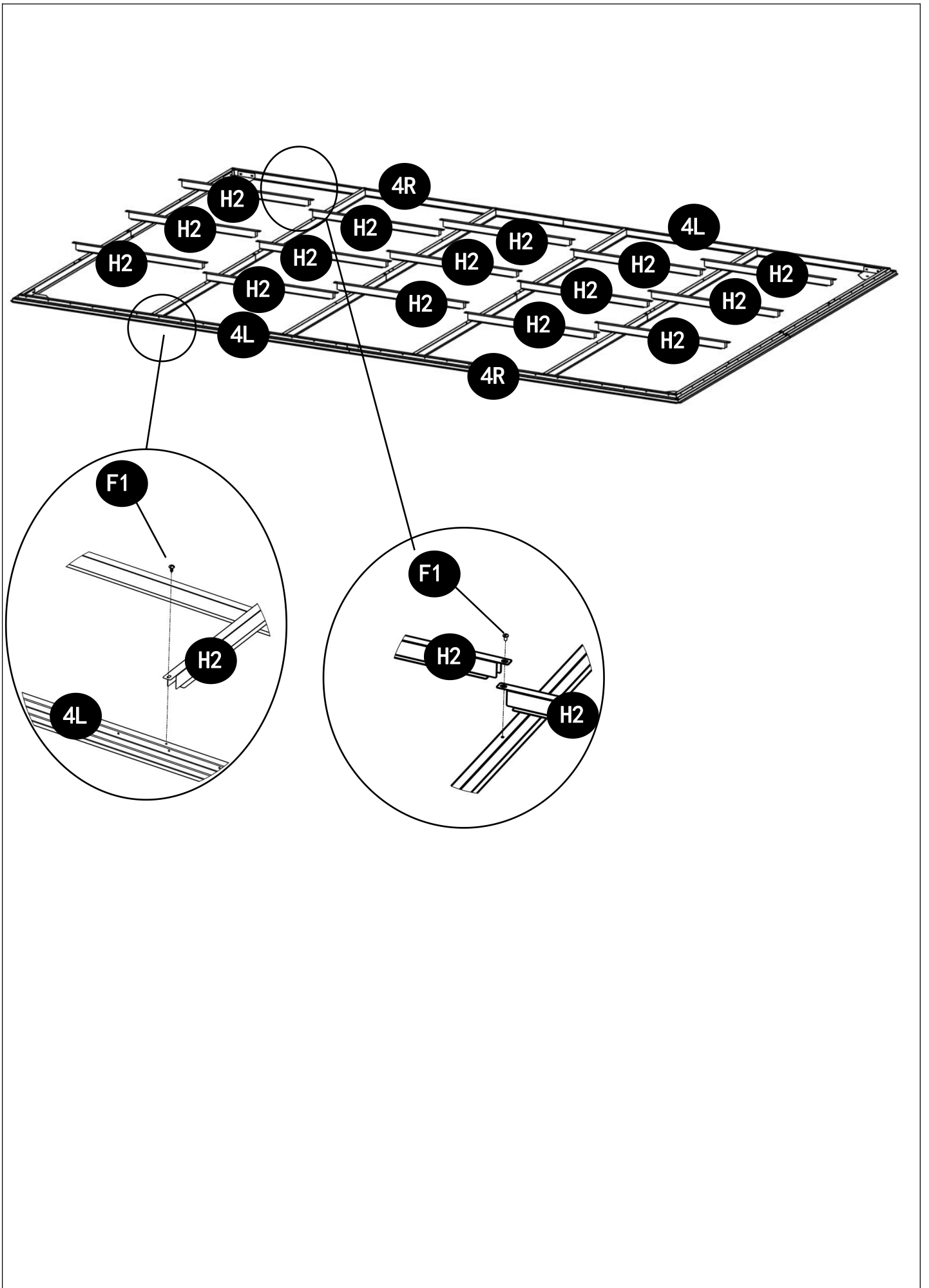


2. Foundation Assembly

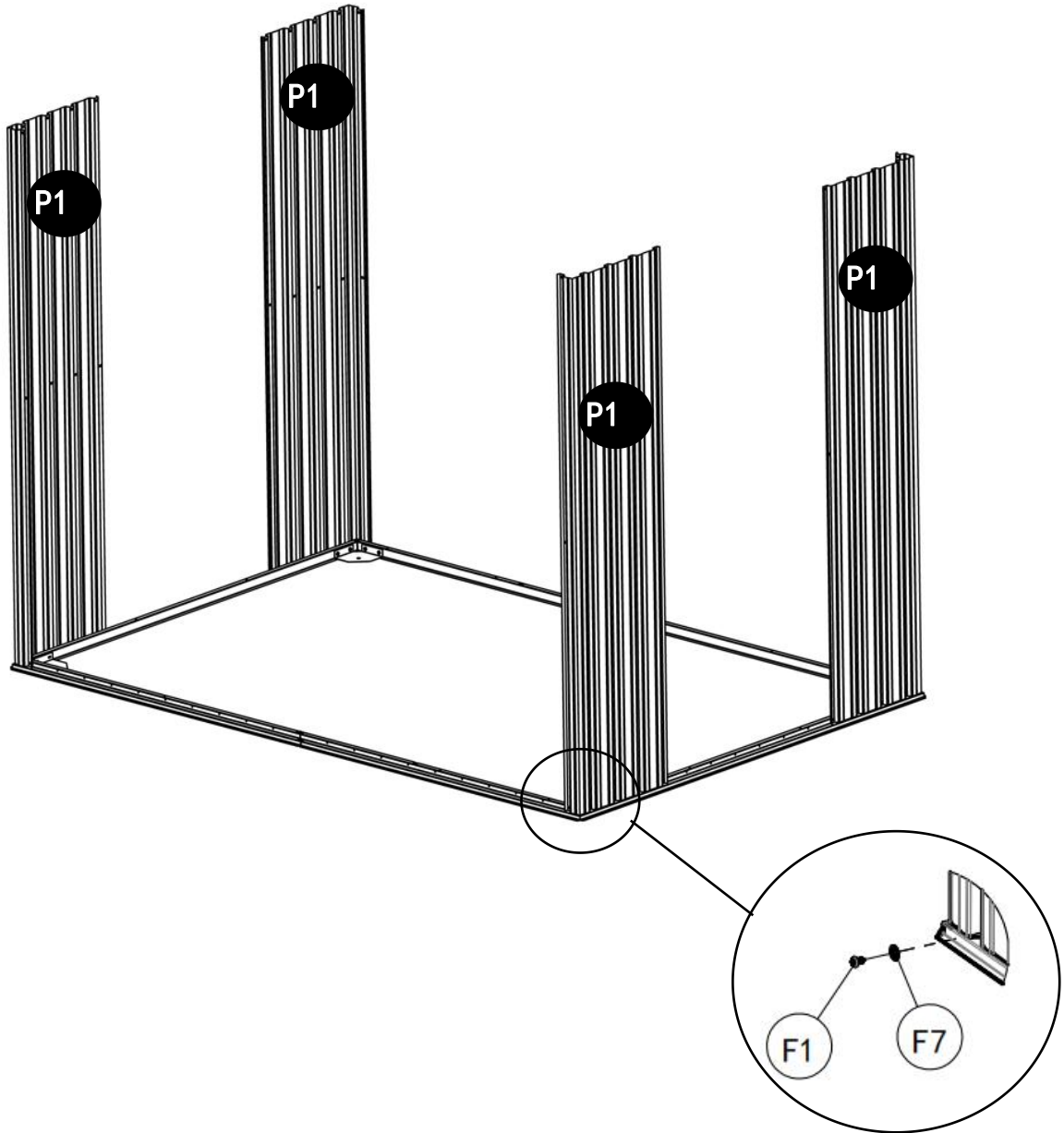
1. Fix two sets of H1L and H1R with F1;
2. Connect H1L, H1R to 1 and fix them with F1 ;
3. Install H2 onto H1L, H1R, 4L, and 4R and secure with F1 ;

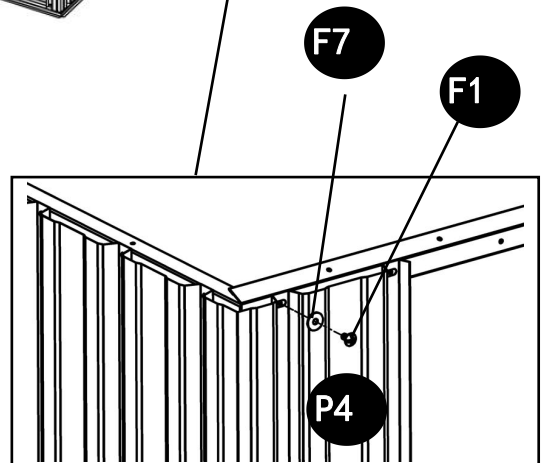
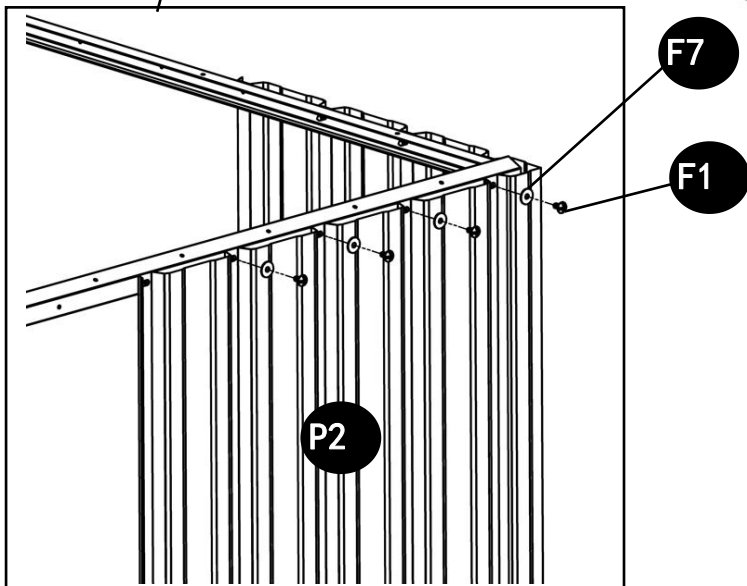
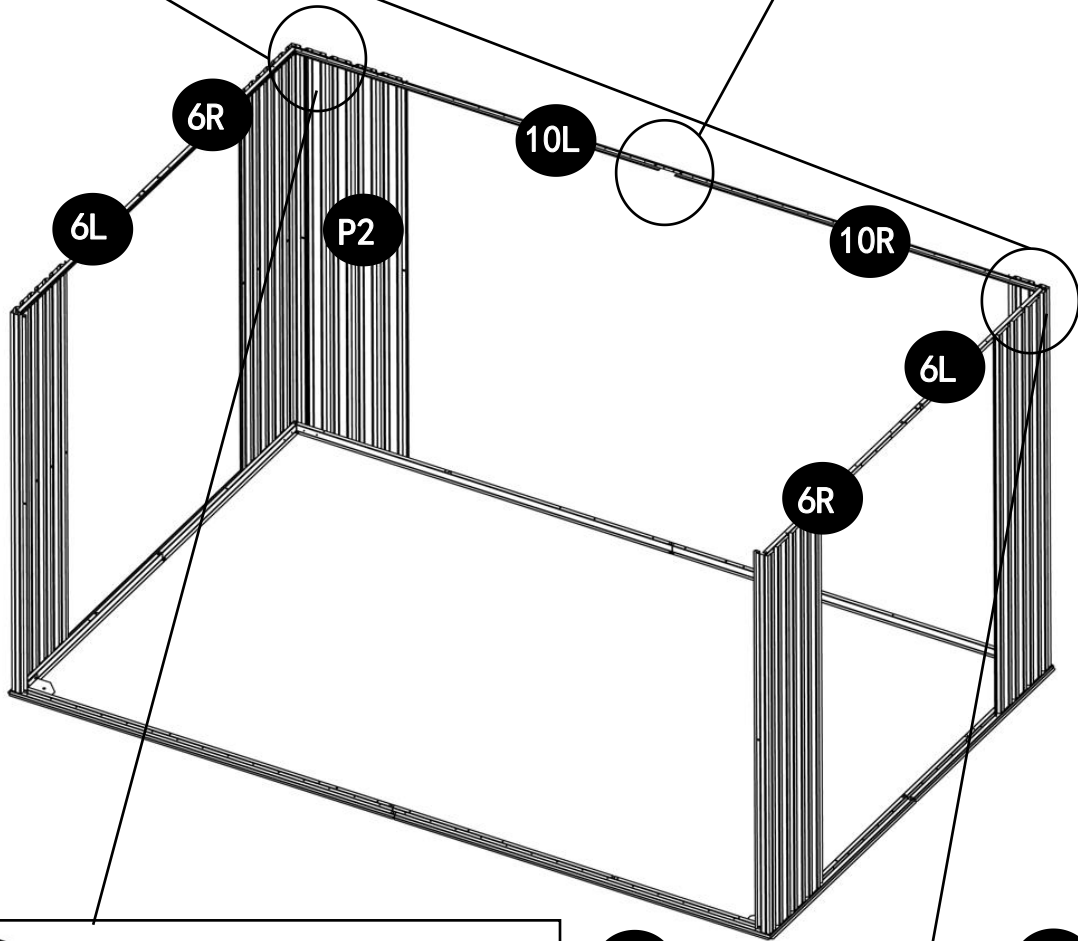
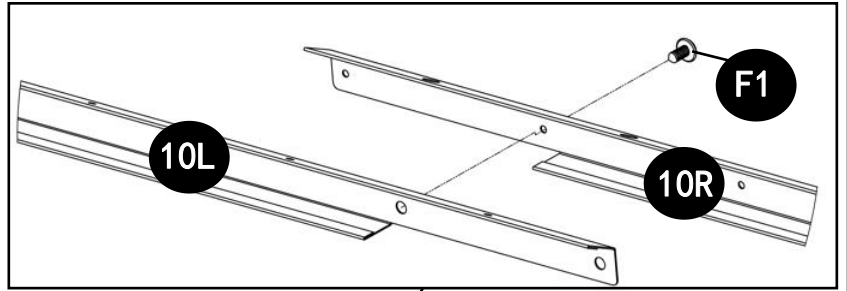
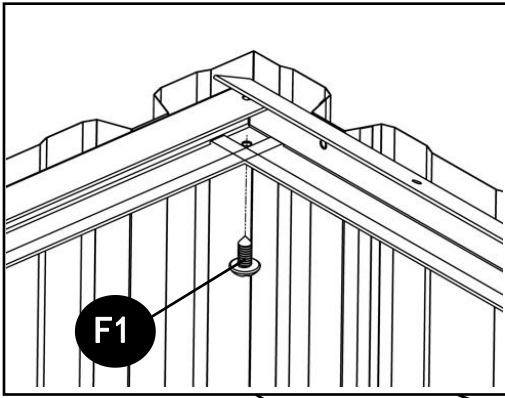
Part	No	Qty
	H1L	4
	H1R	4
	H2	15
	F1	34

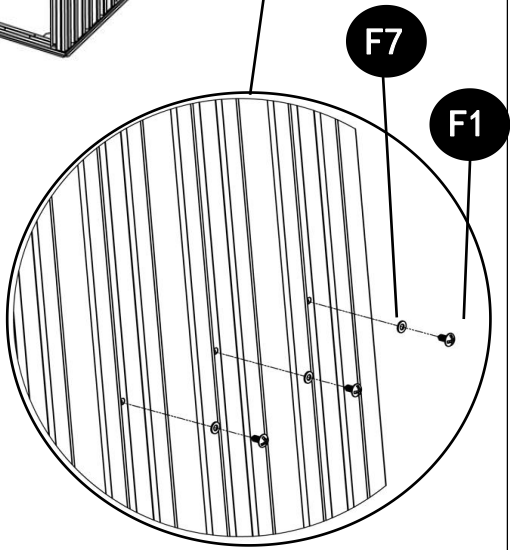
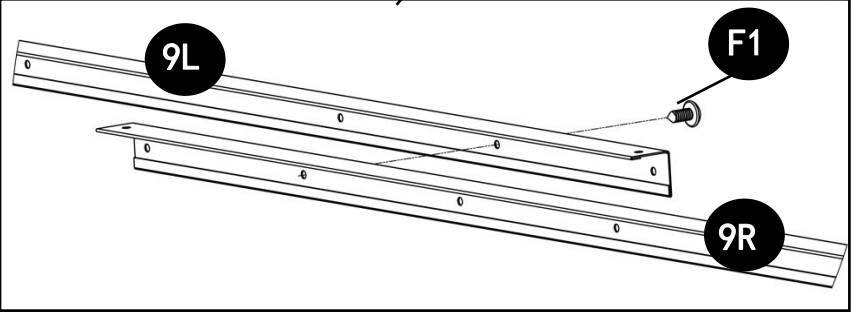
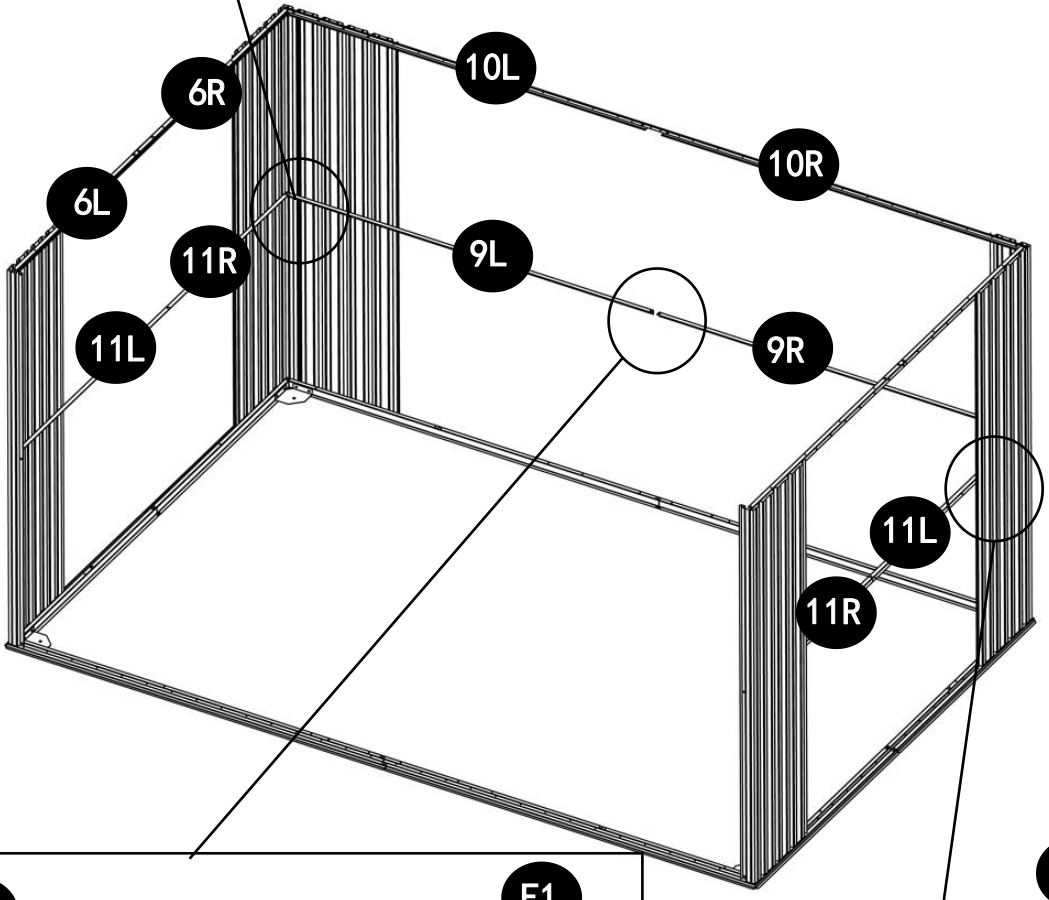
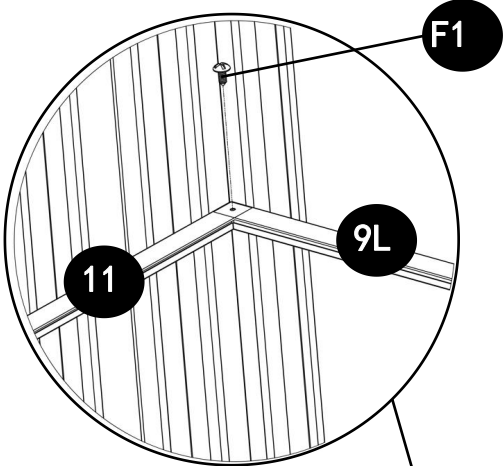


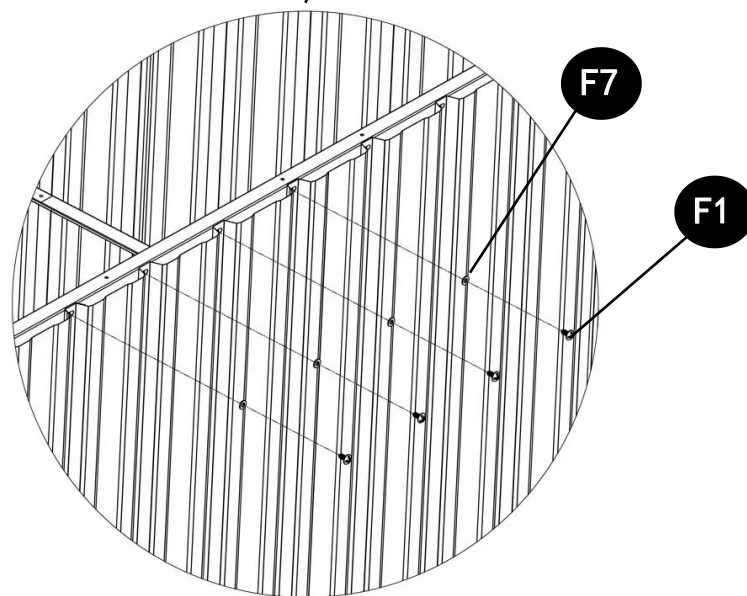
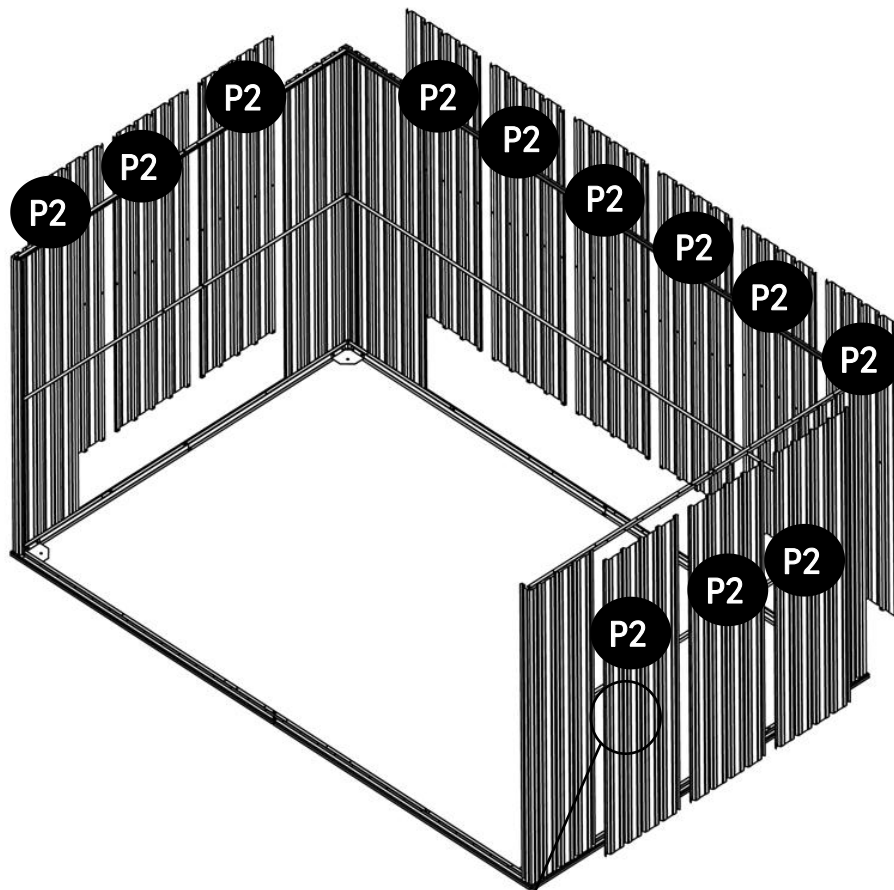


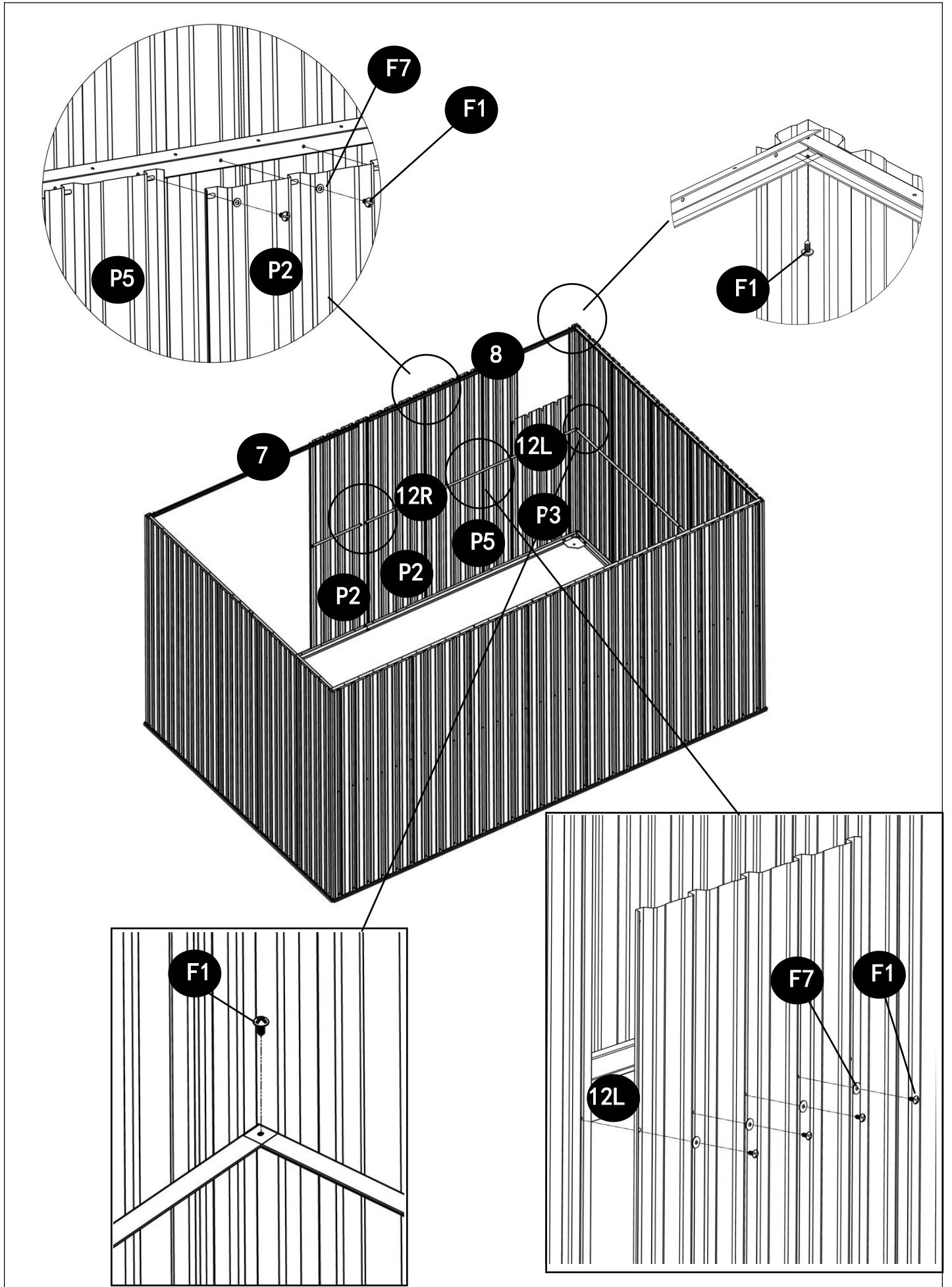
3.Wall Assembly

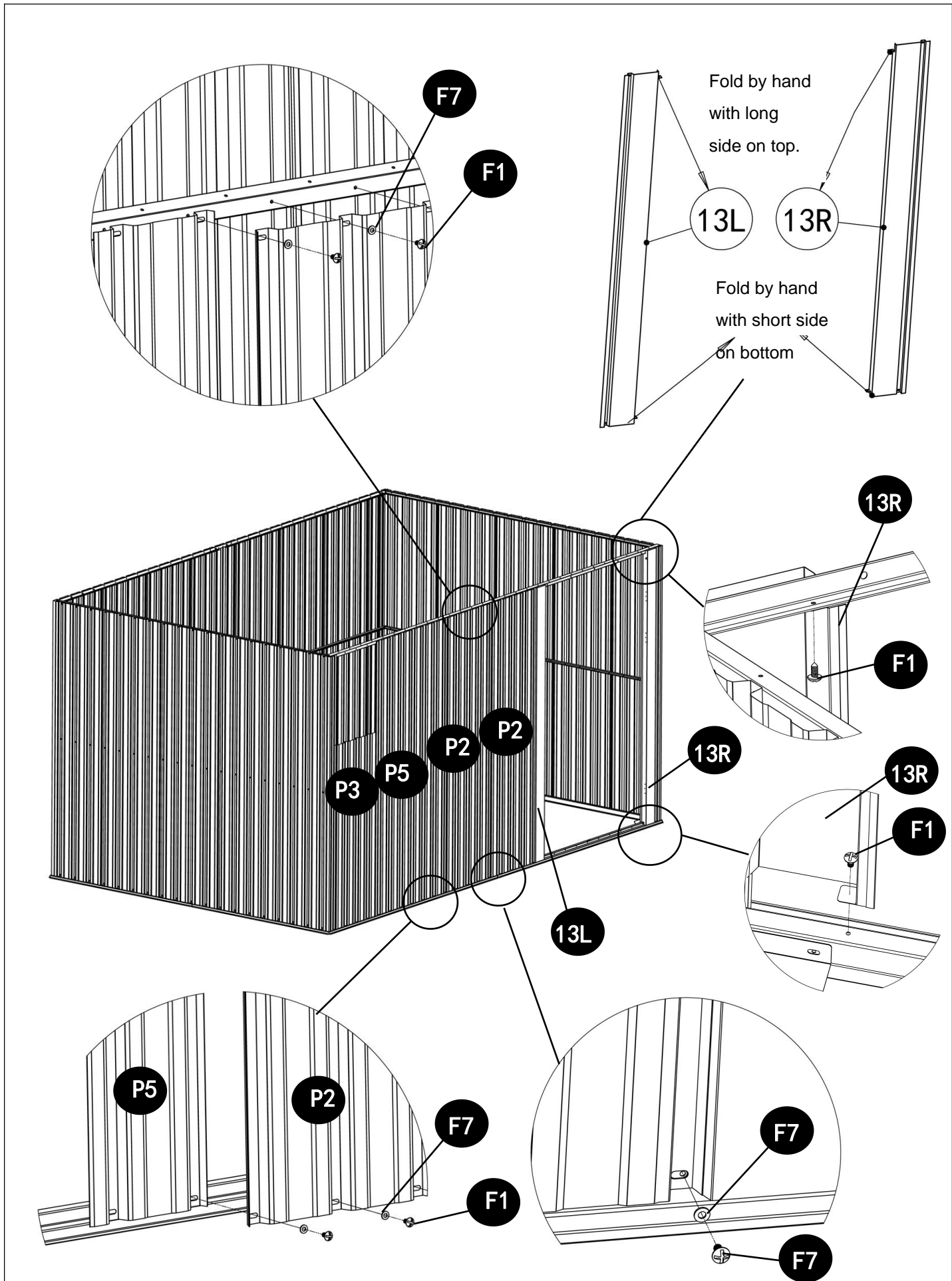


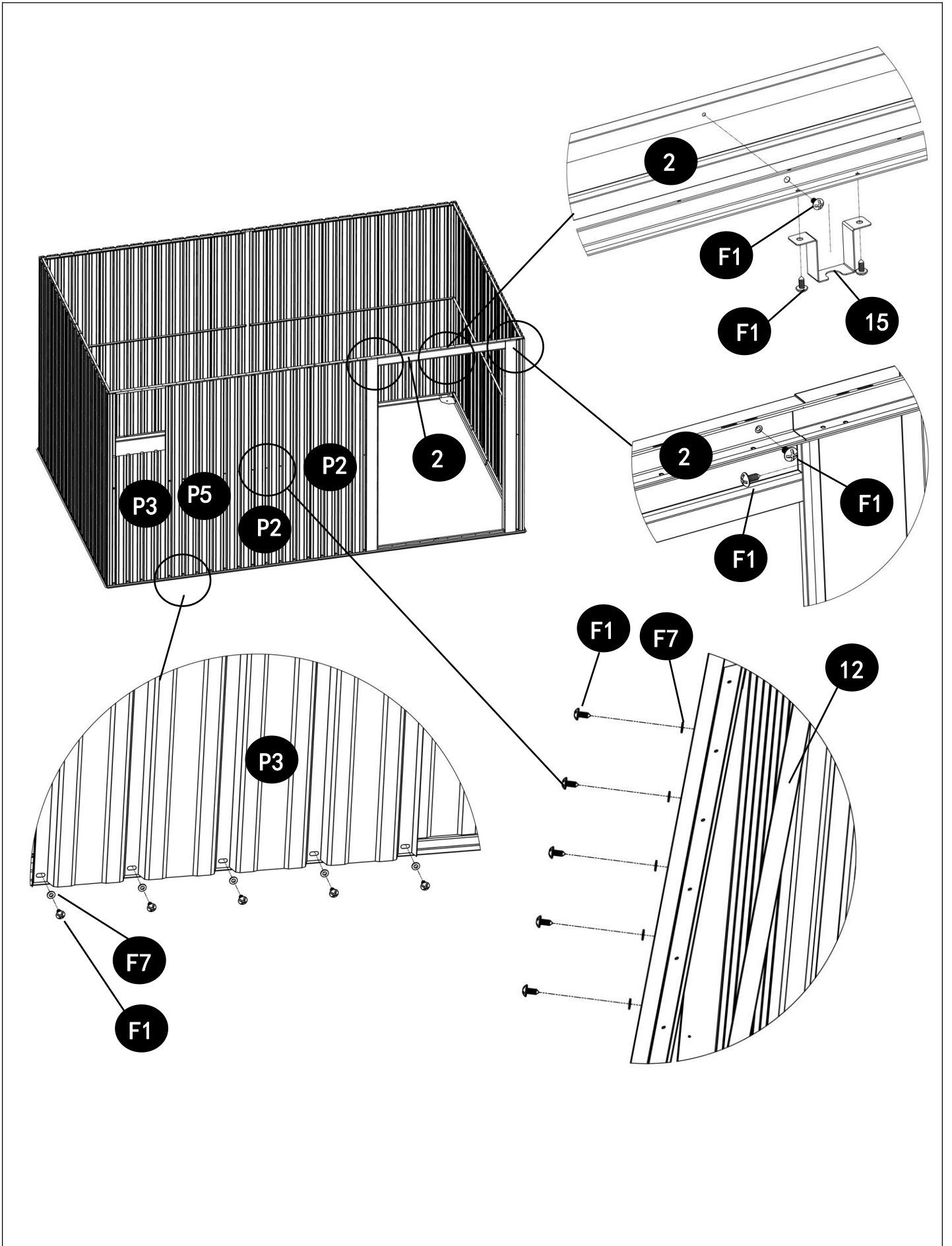


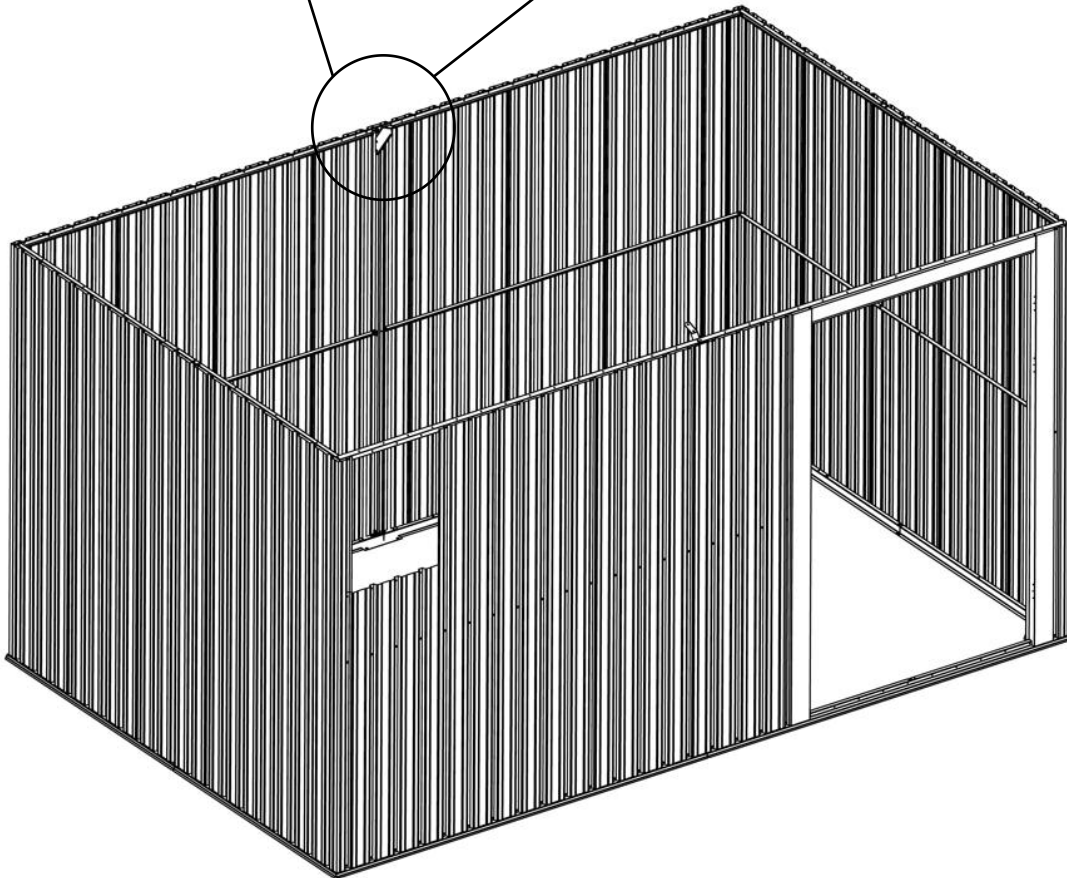
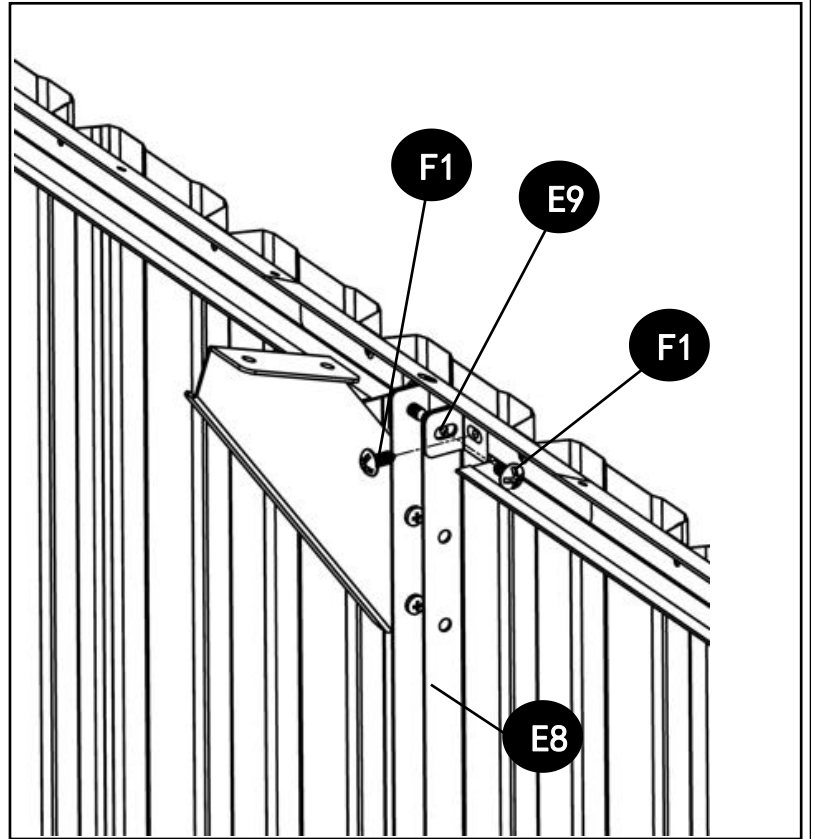
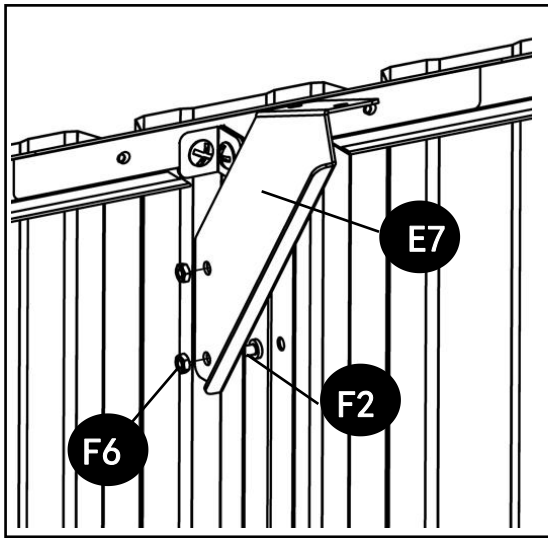


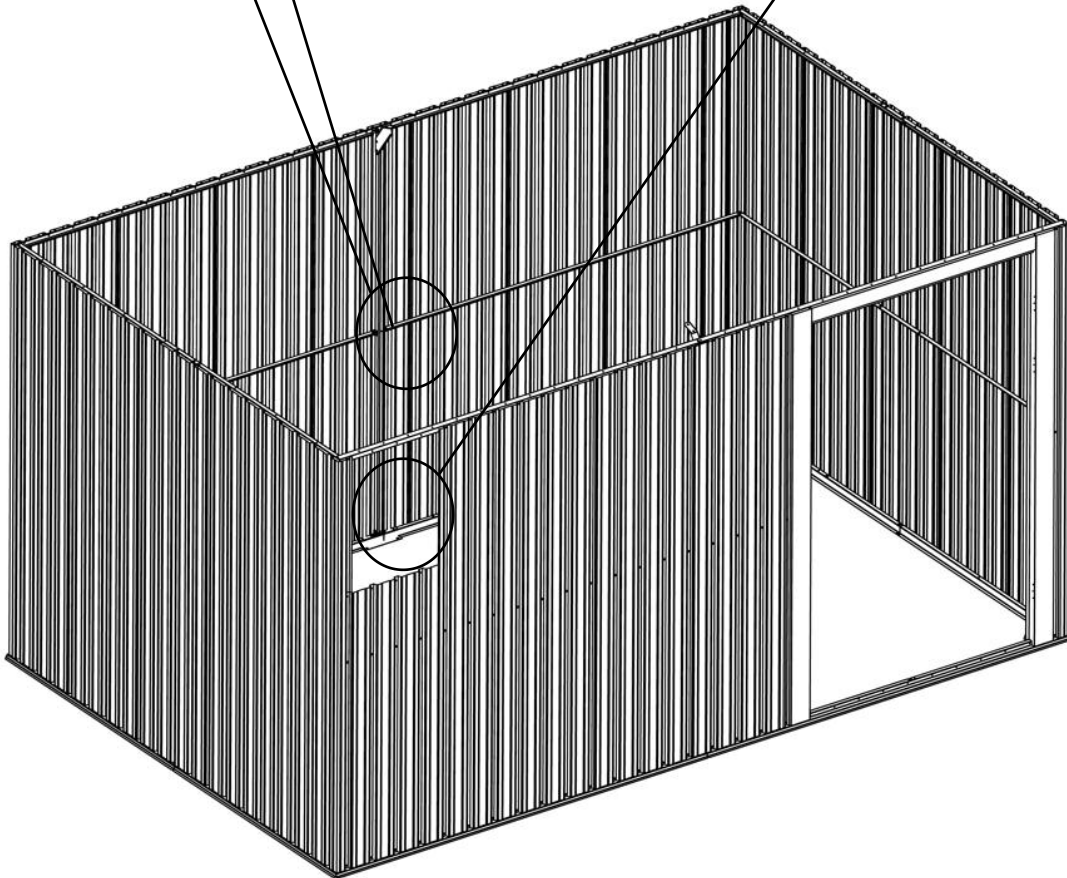
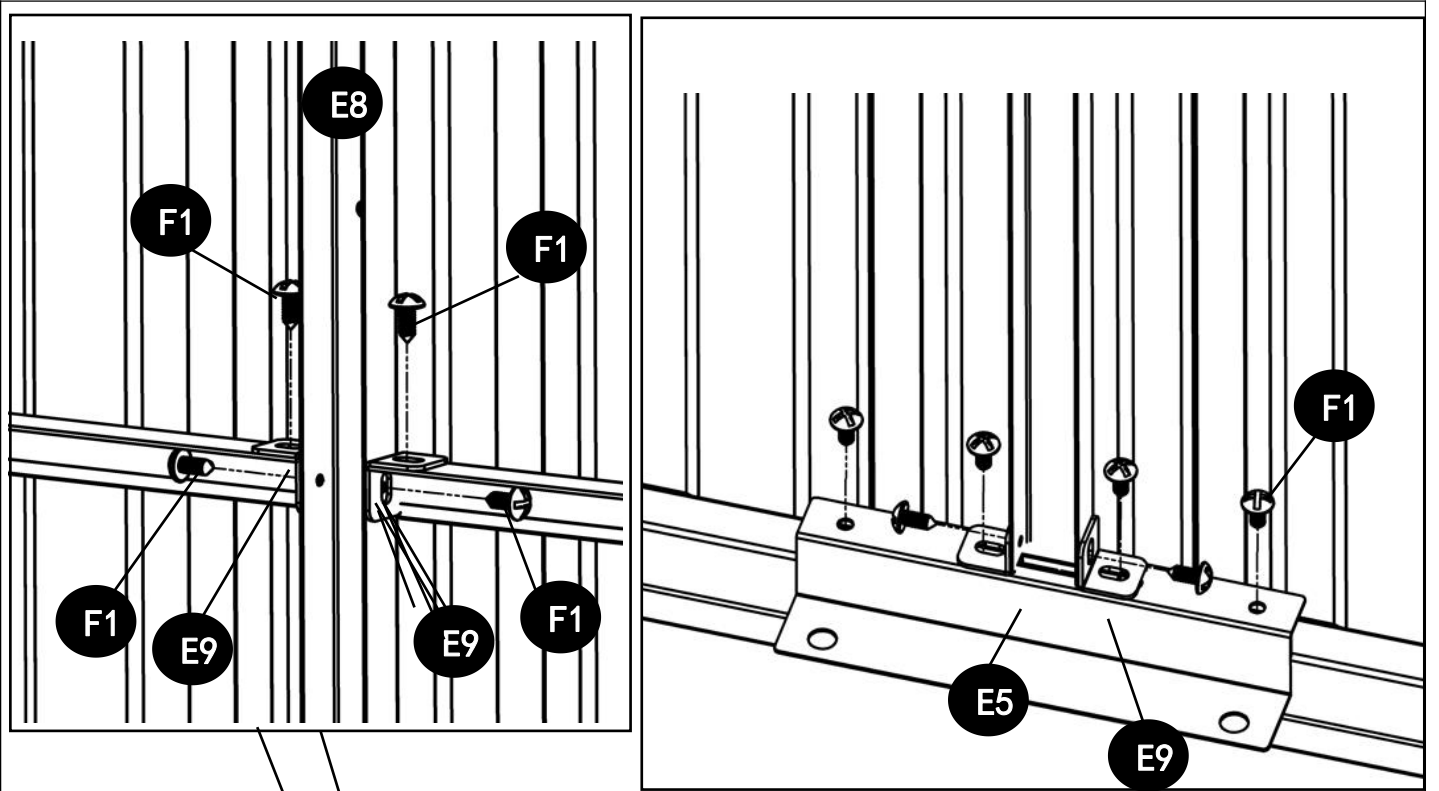


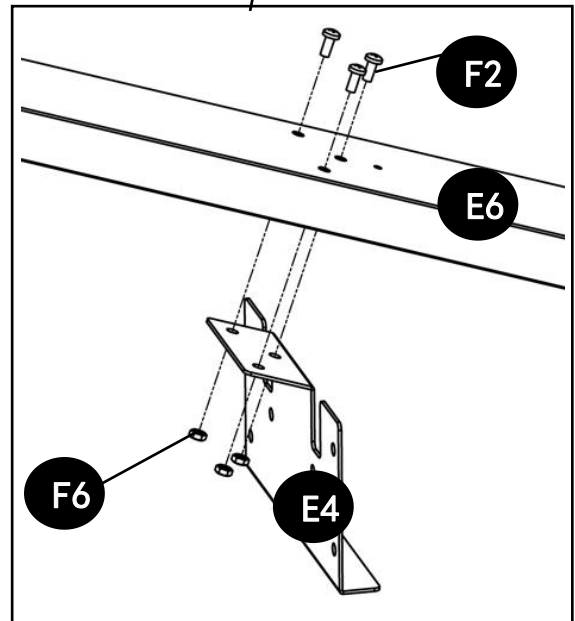
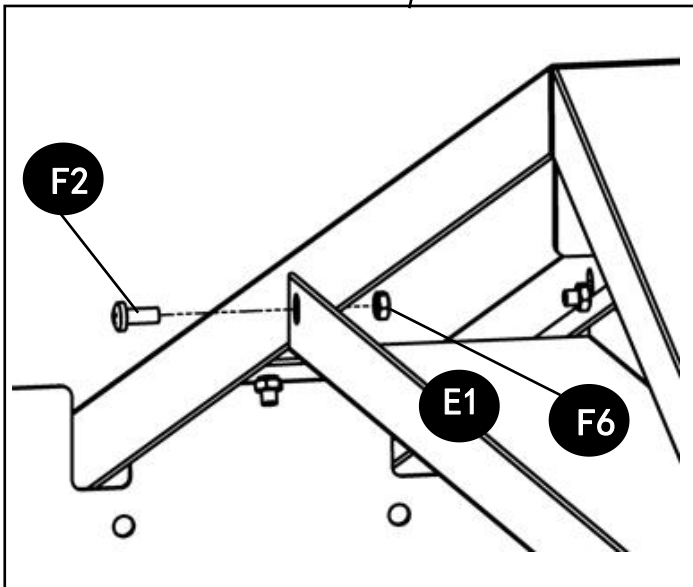
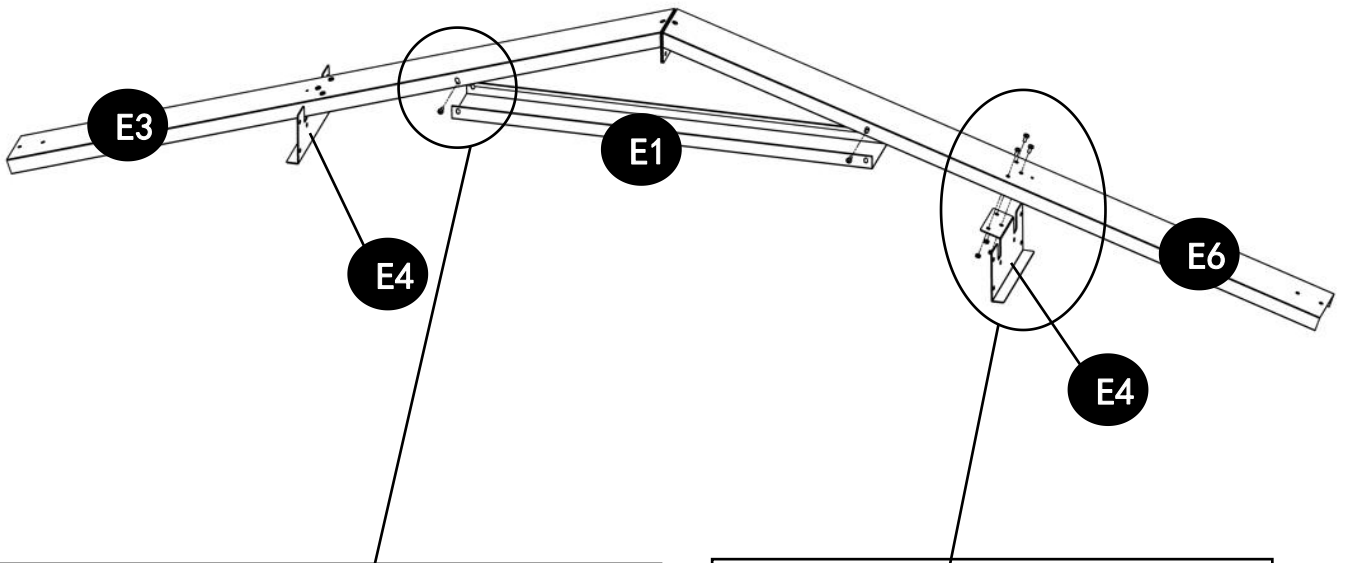


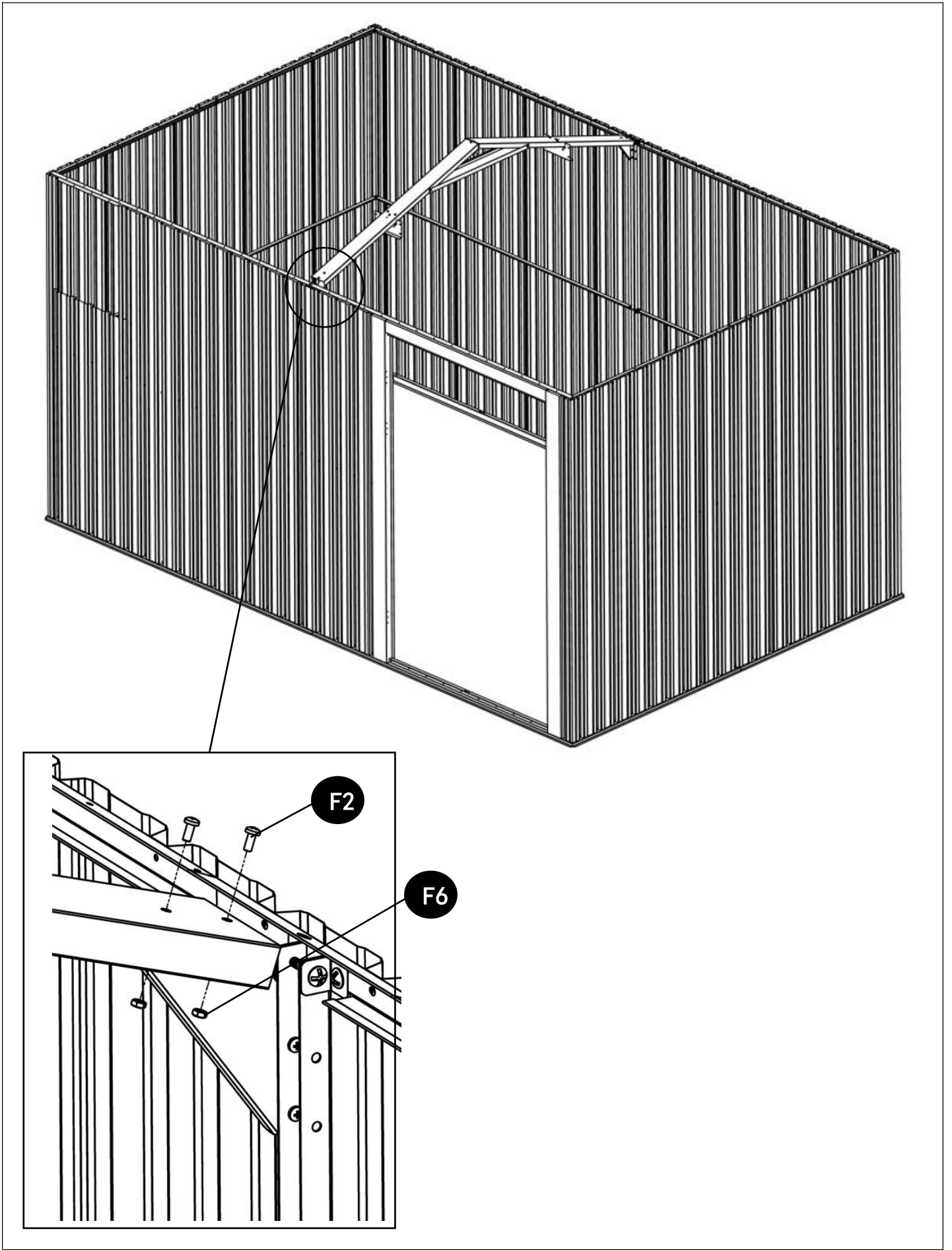




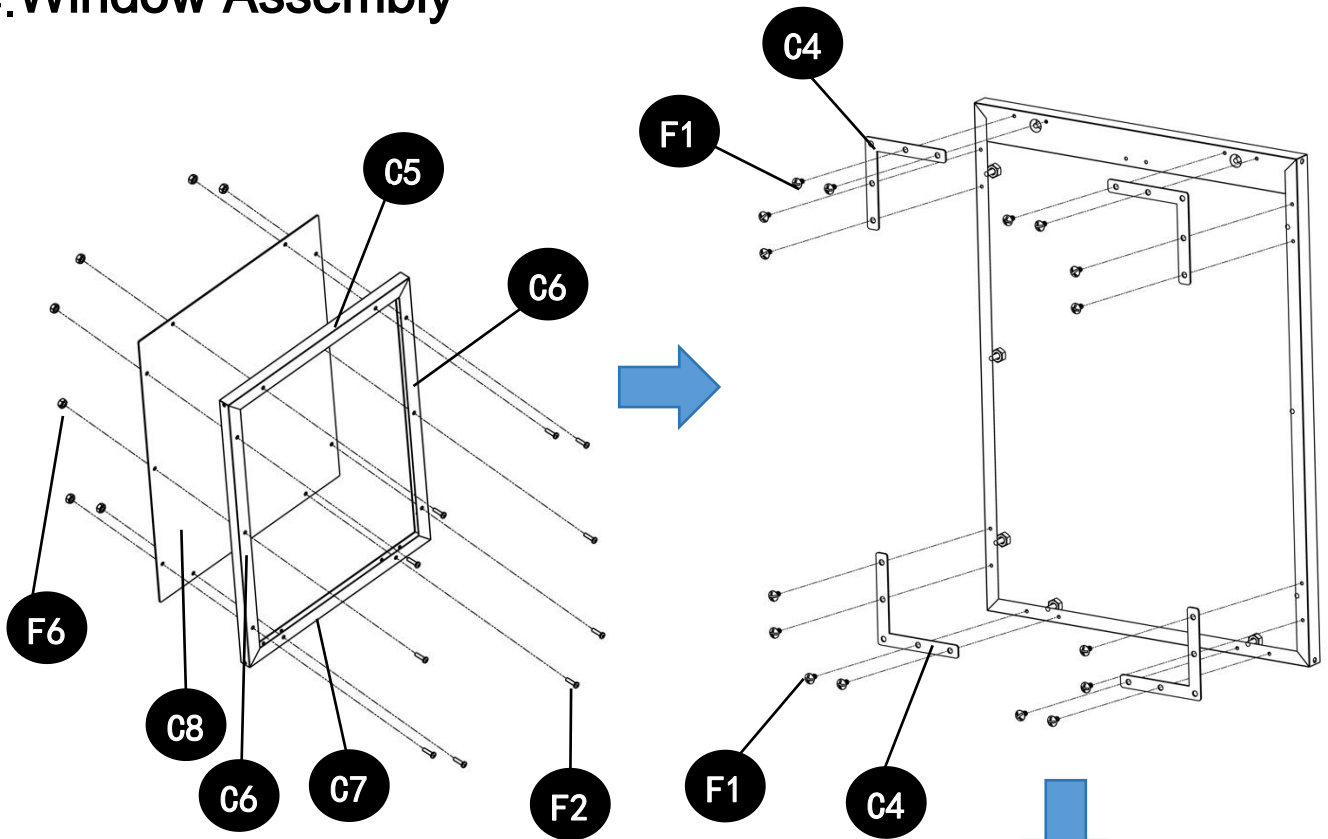




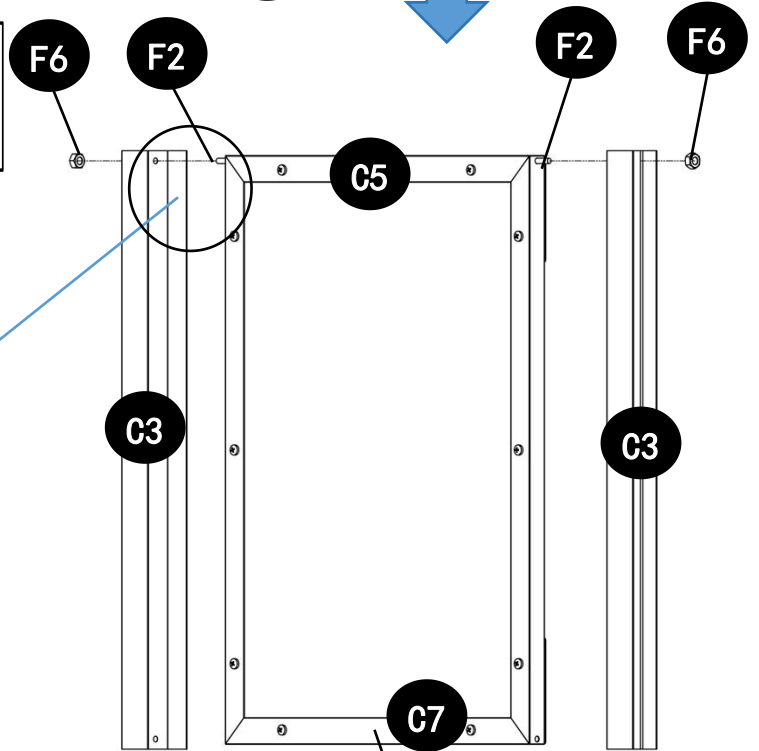
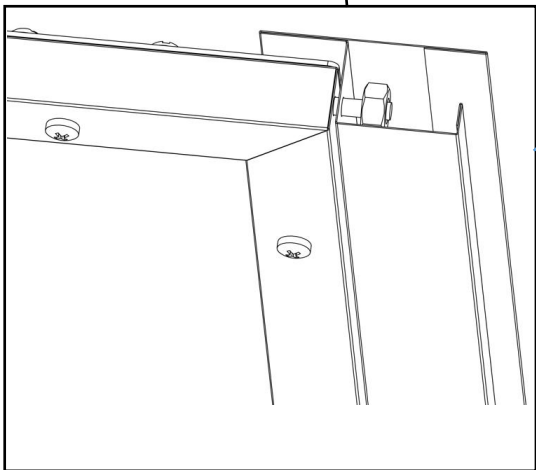




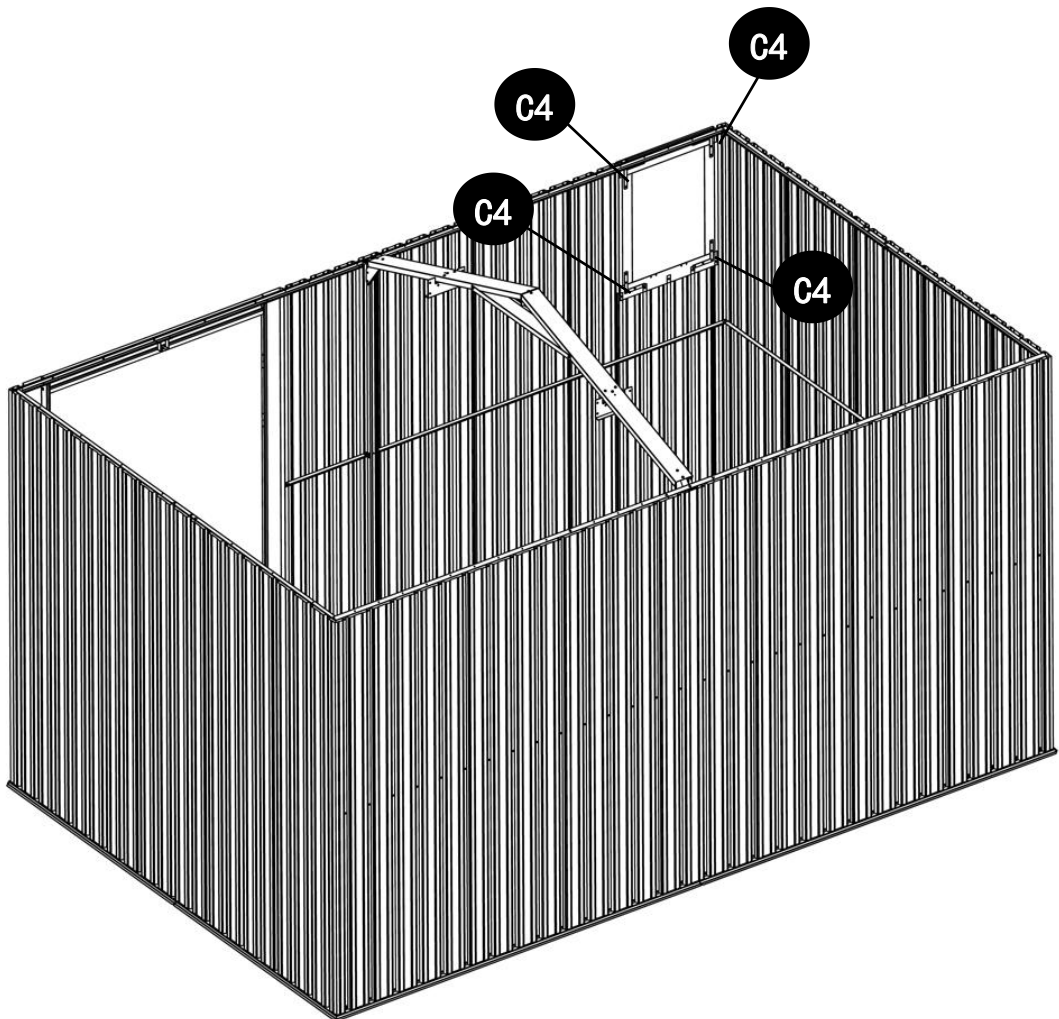
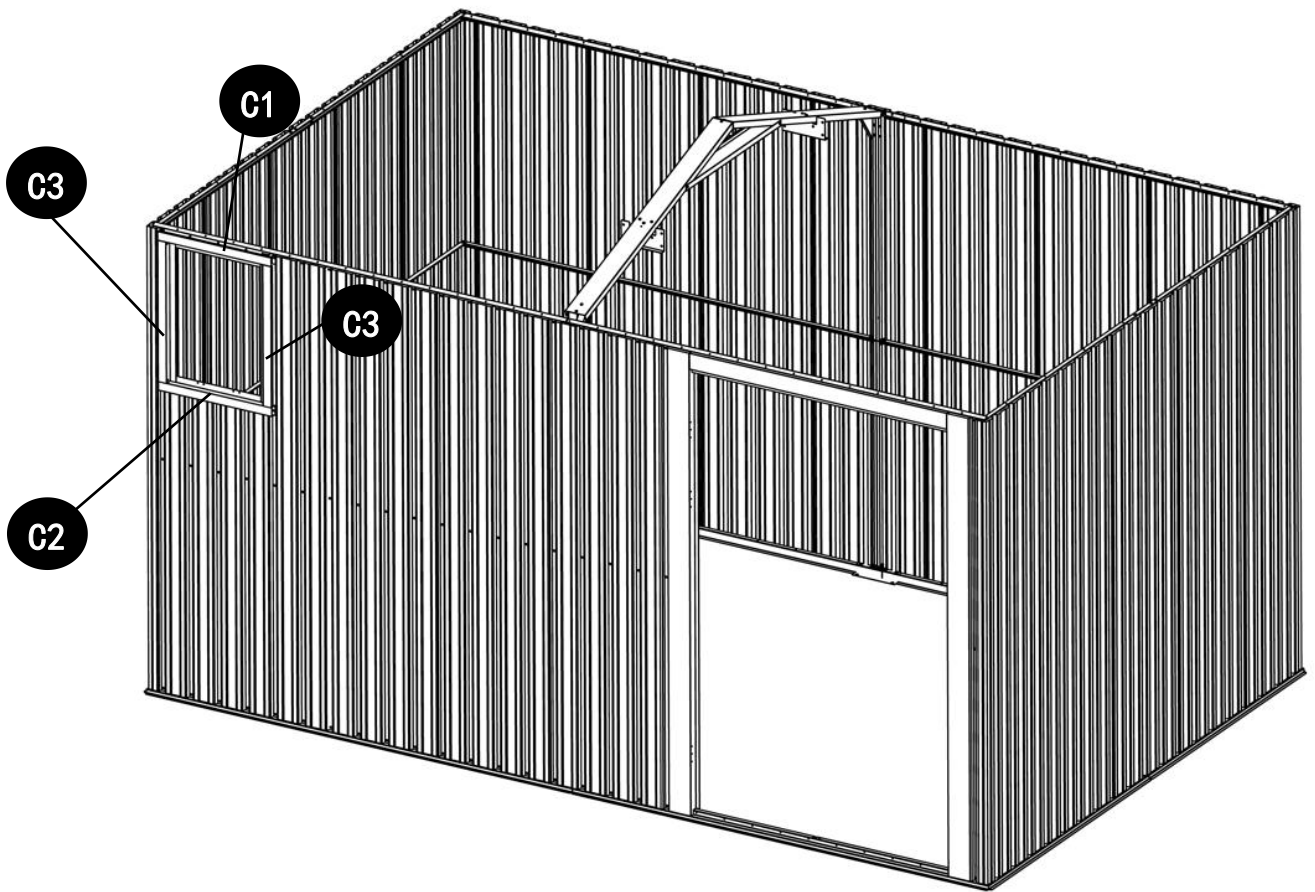
4. Window Assembly

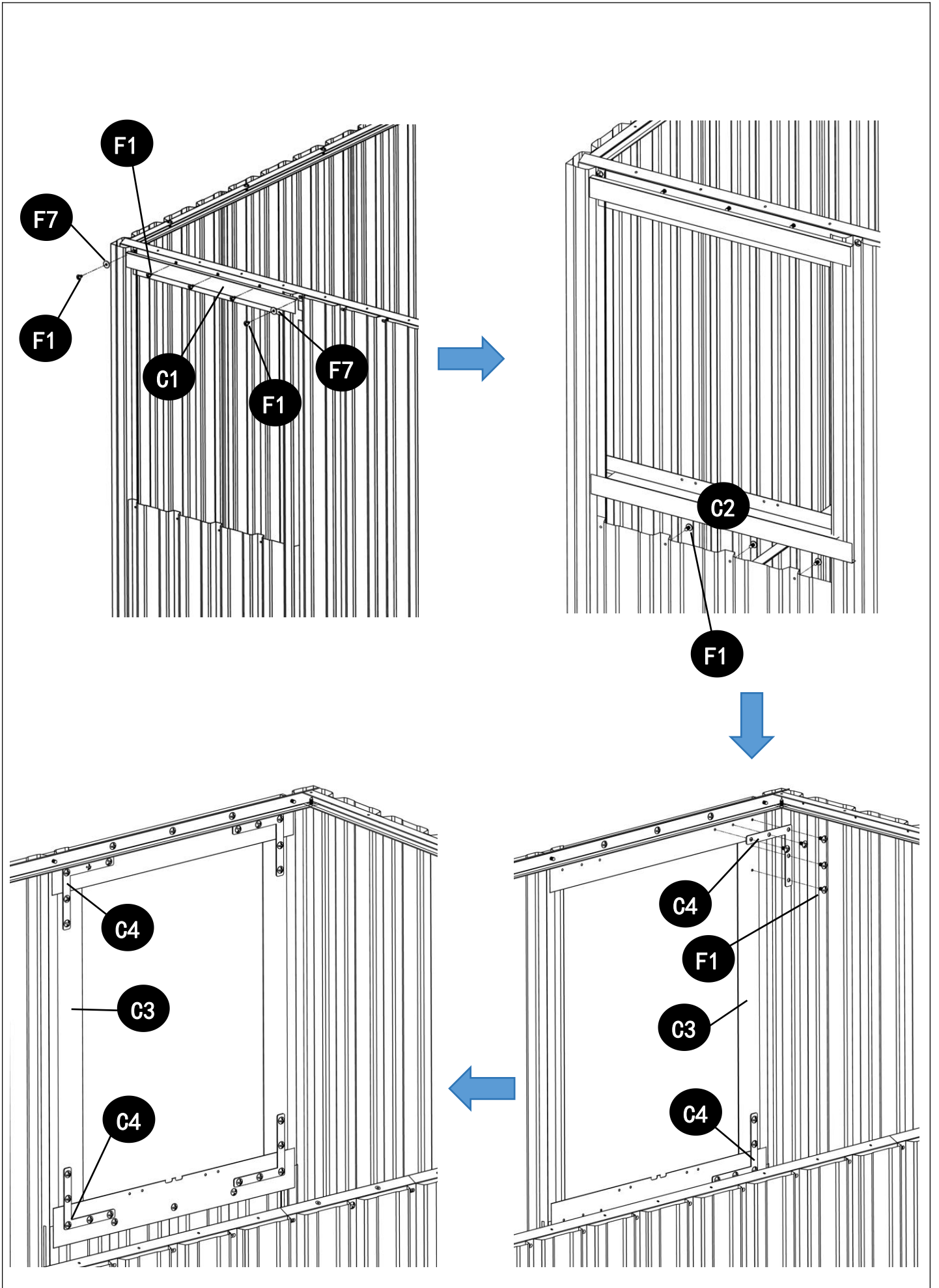


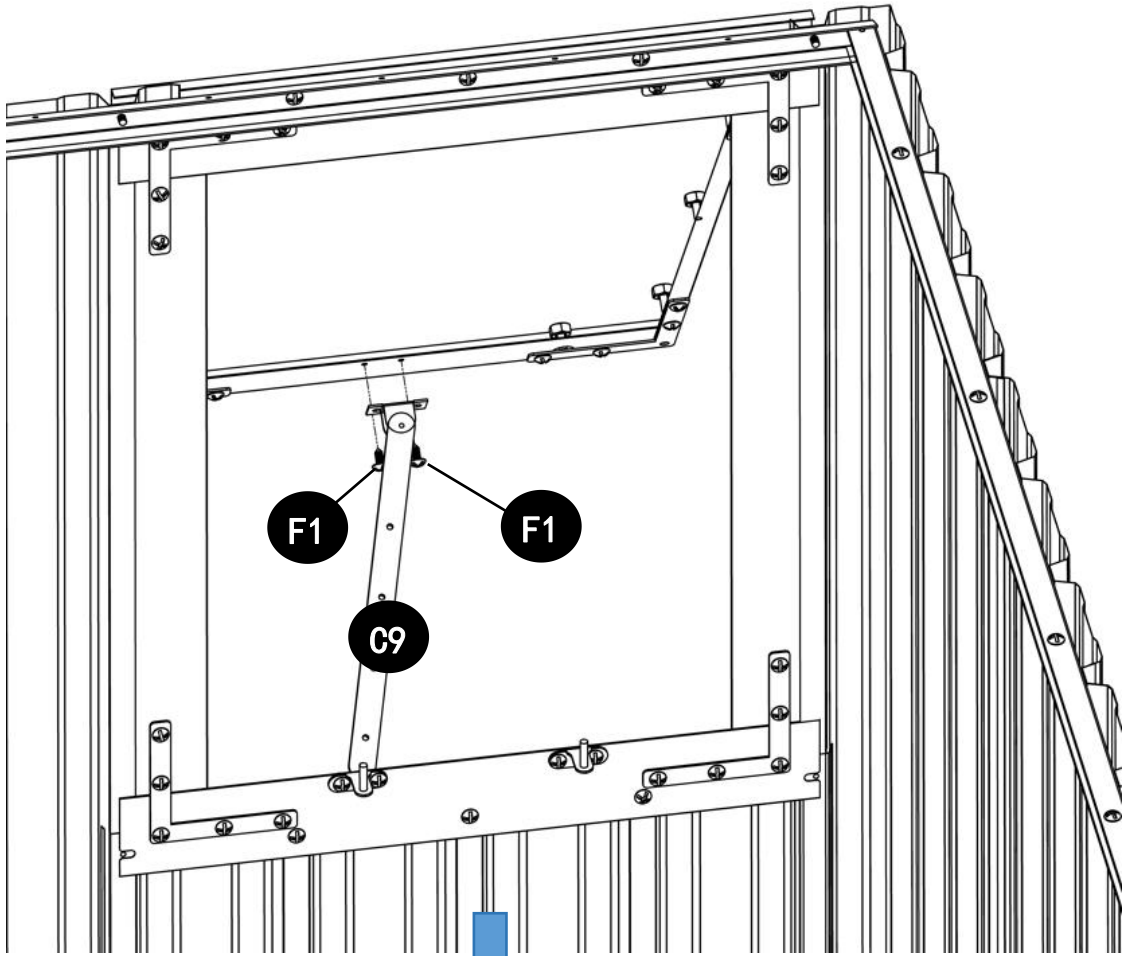
Lock the bolts and nuts on both sides of the upper frame, and only lock half of the threads



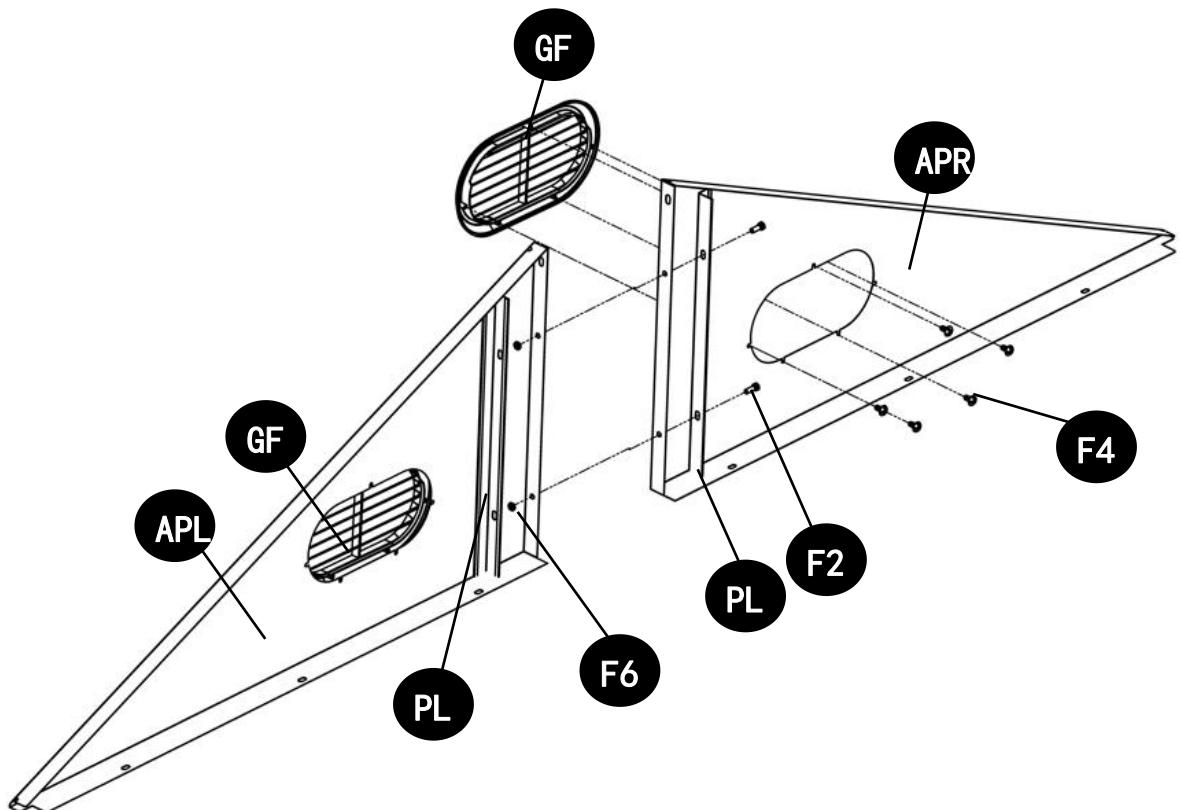
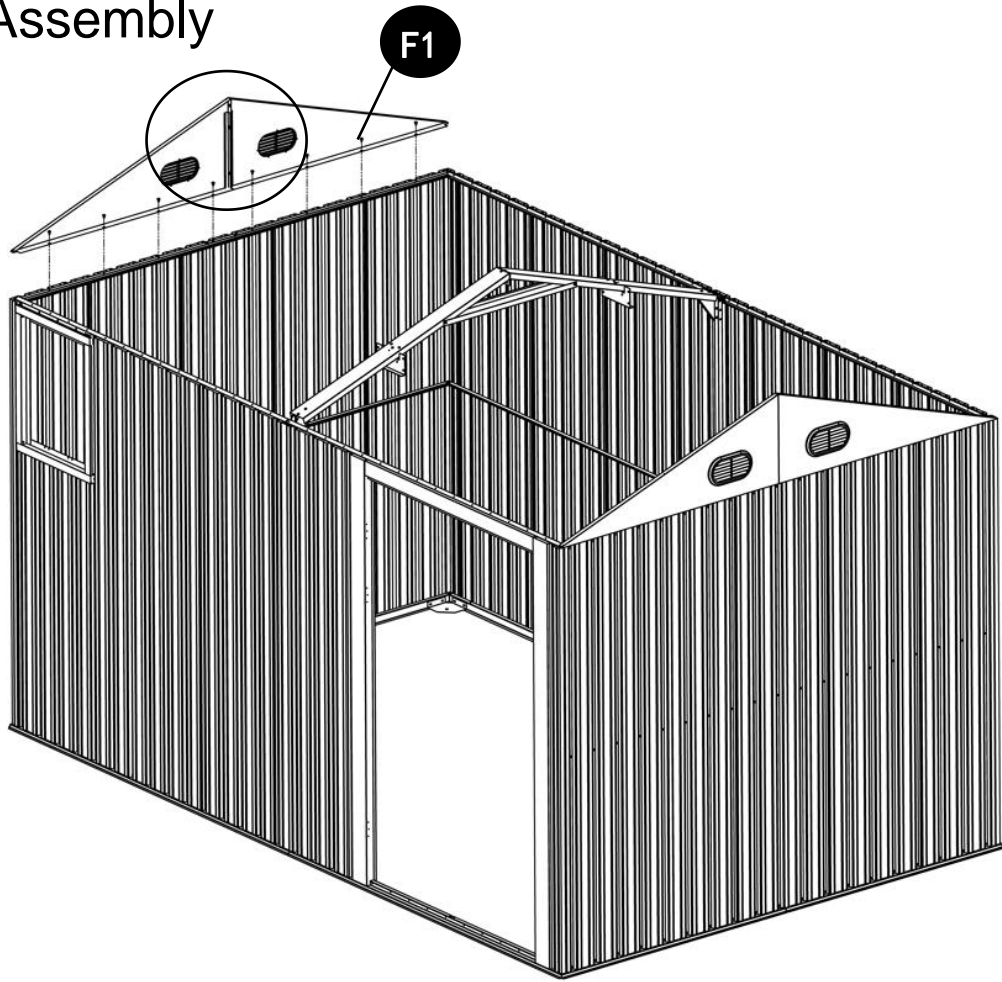
There are 2 holes on the back for the lower border

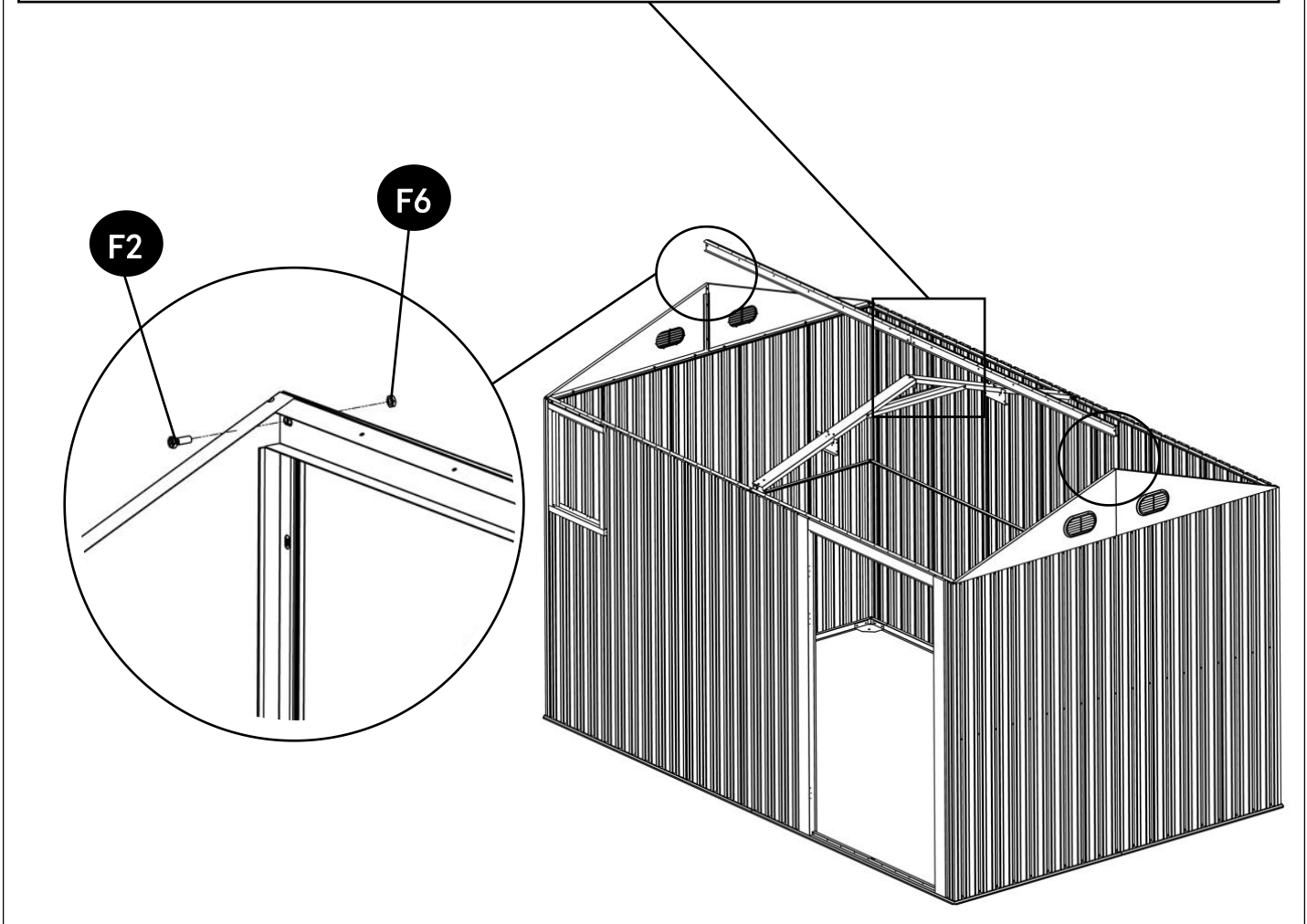
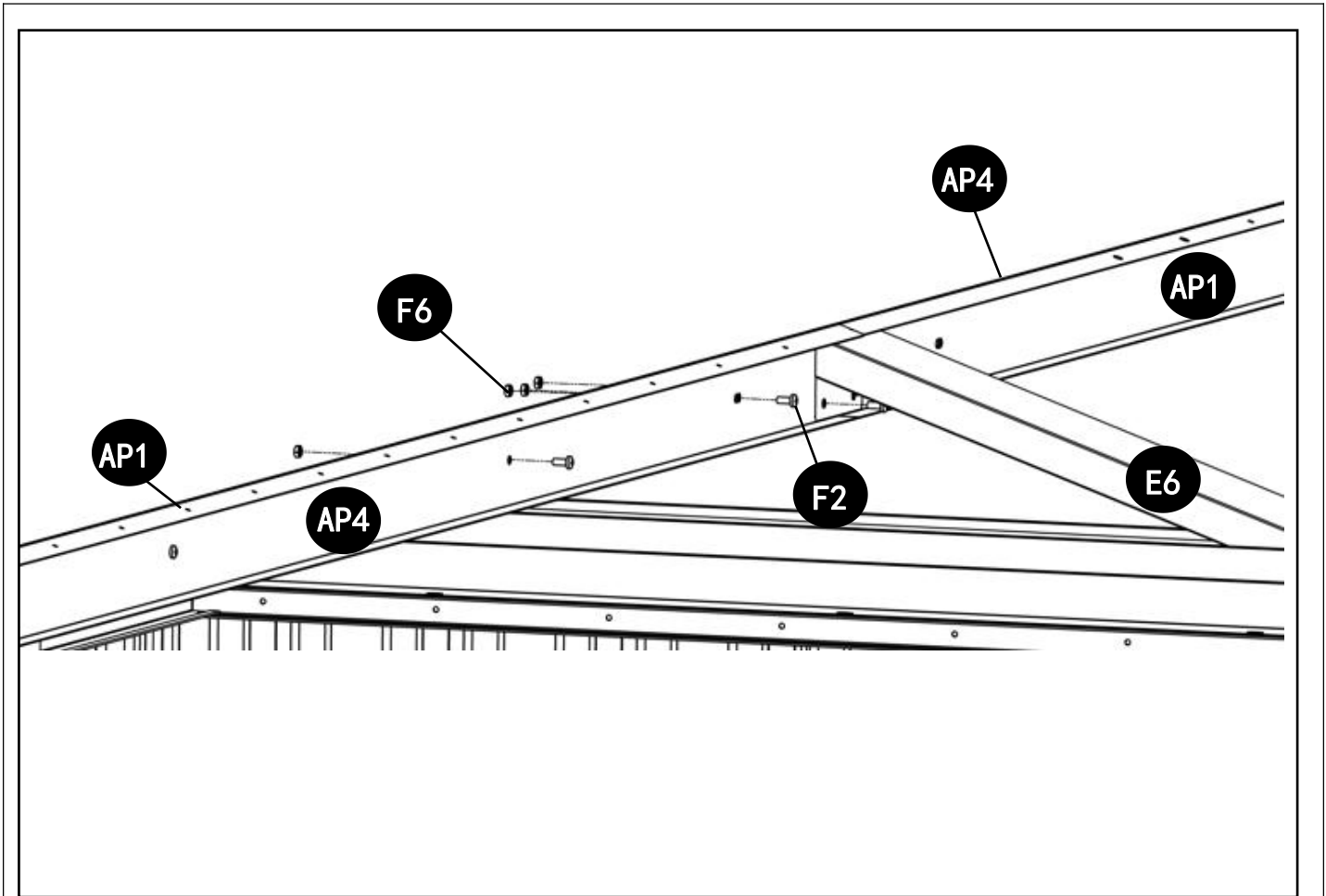


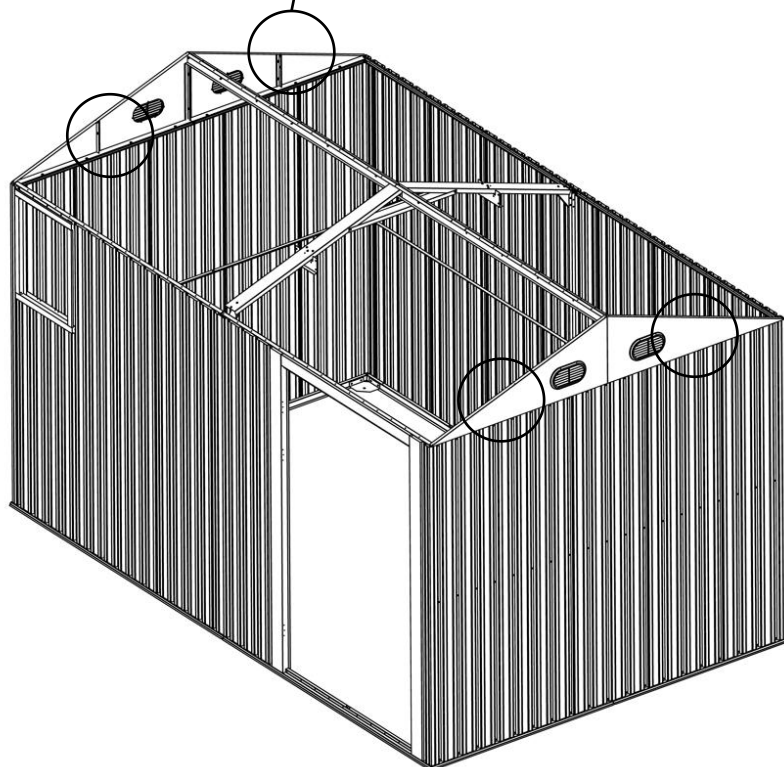
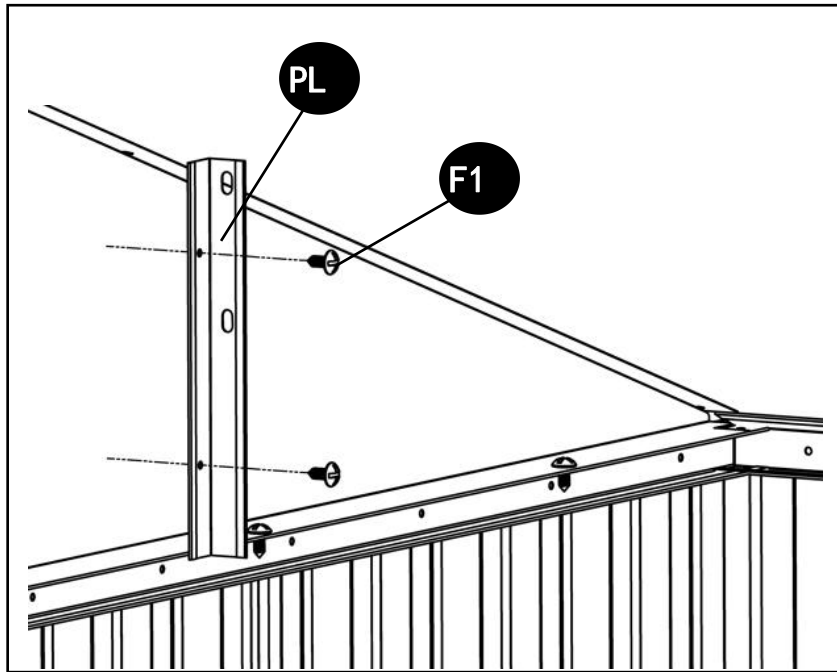


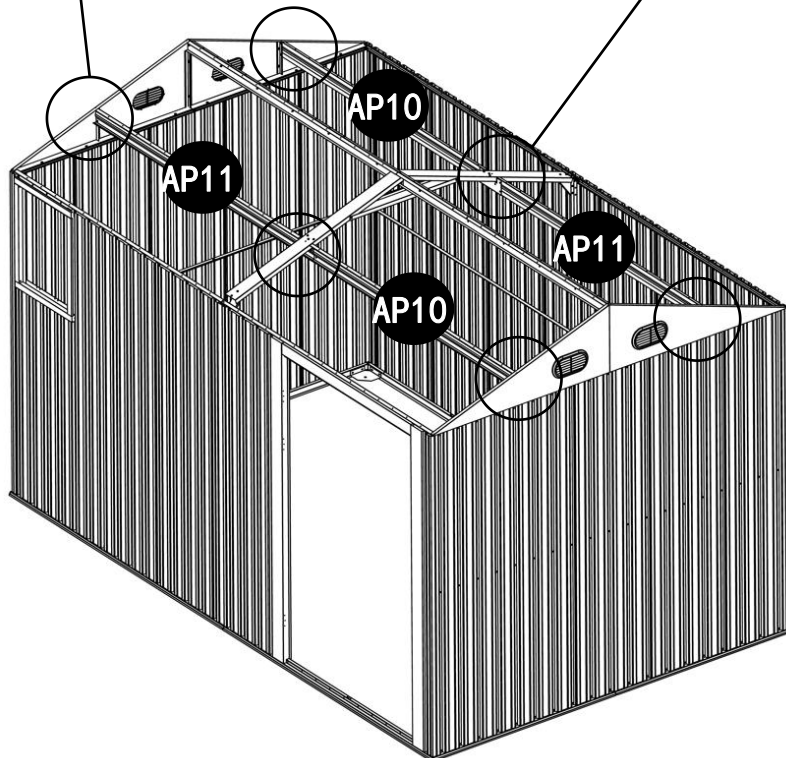
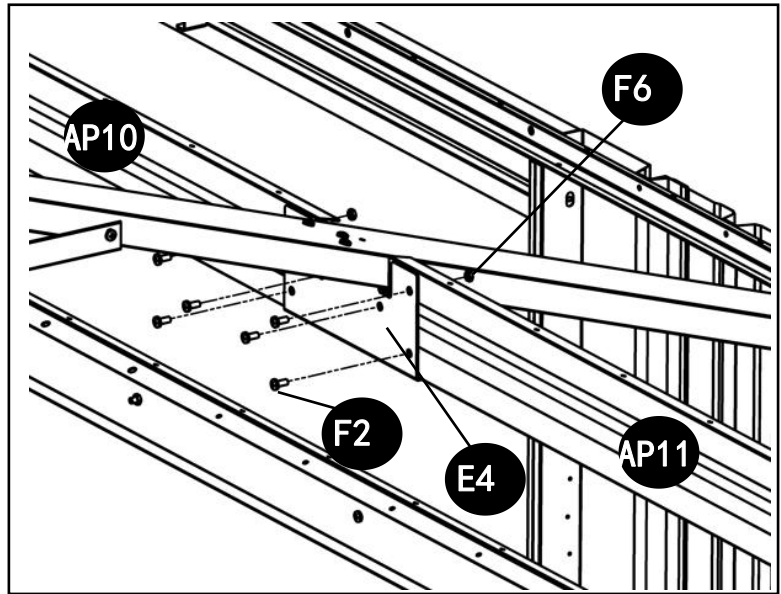
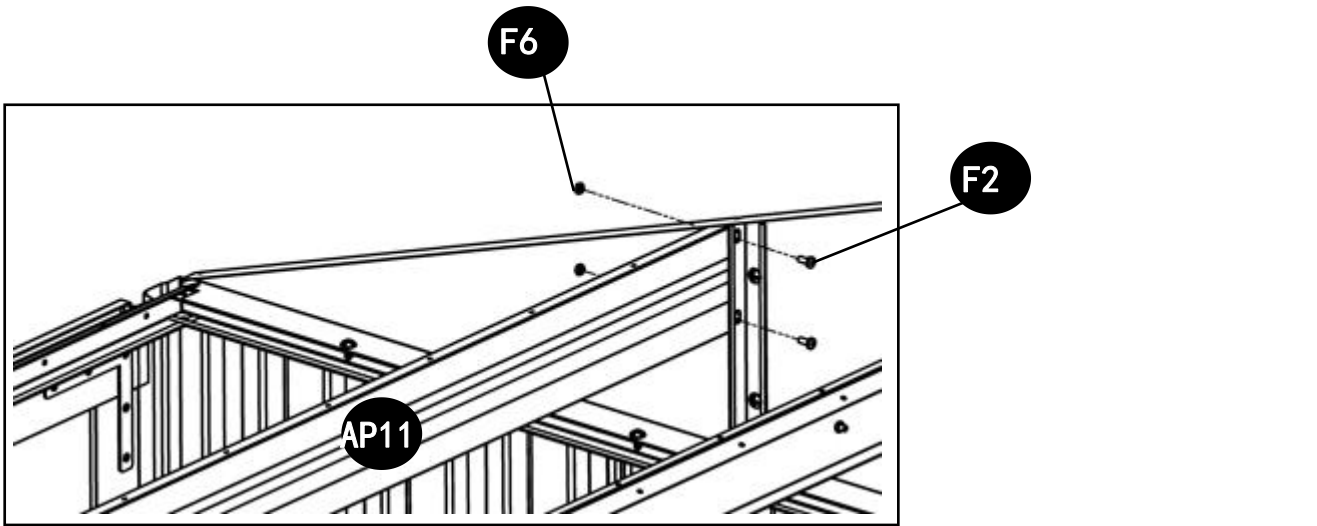


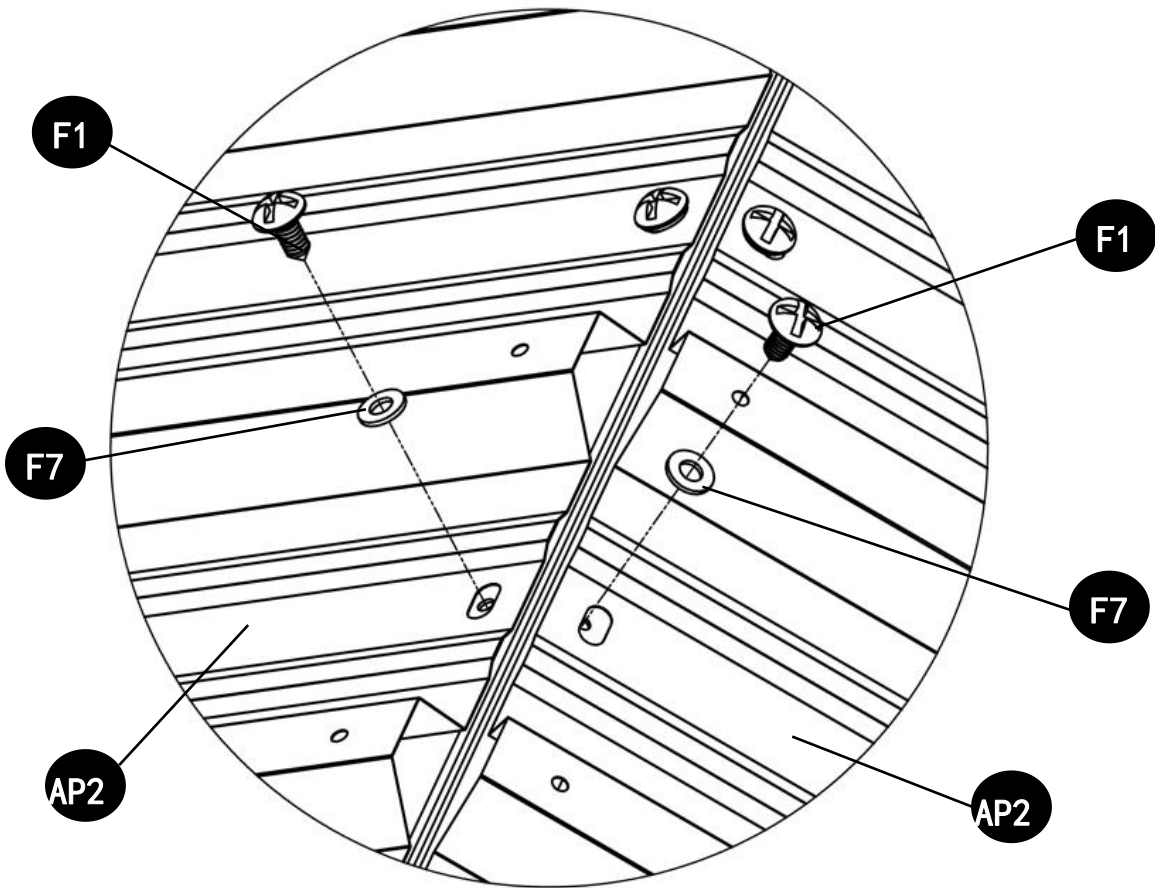
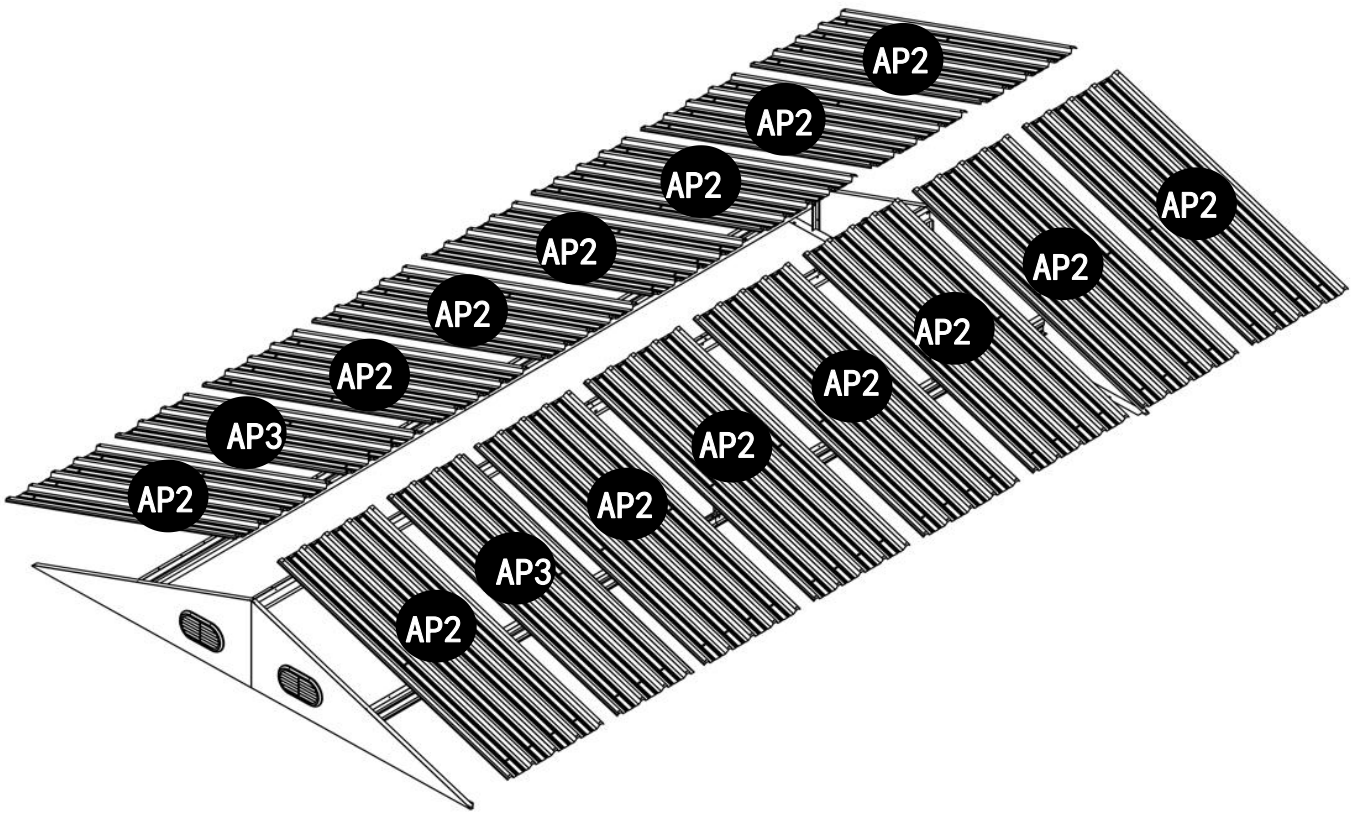
5. Roof Assembly

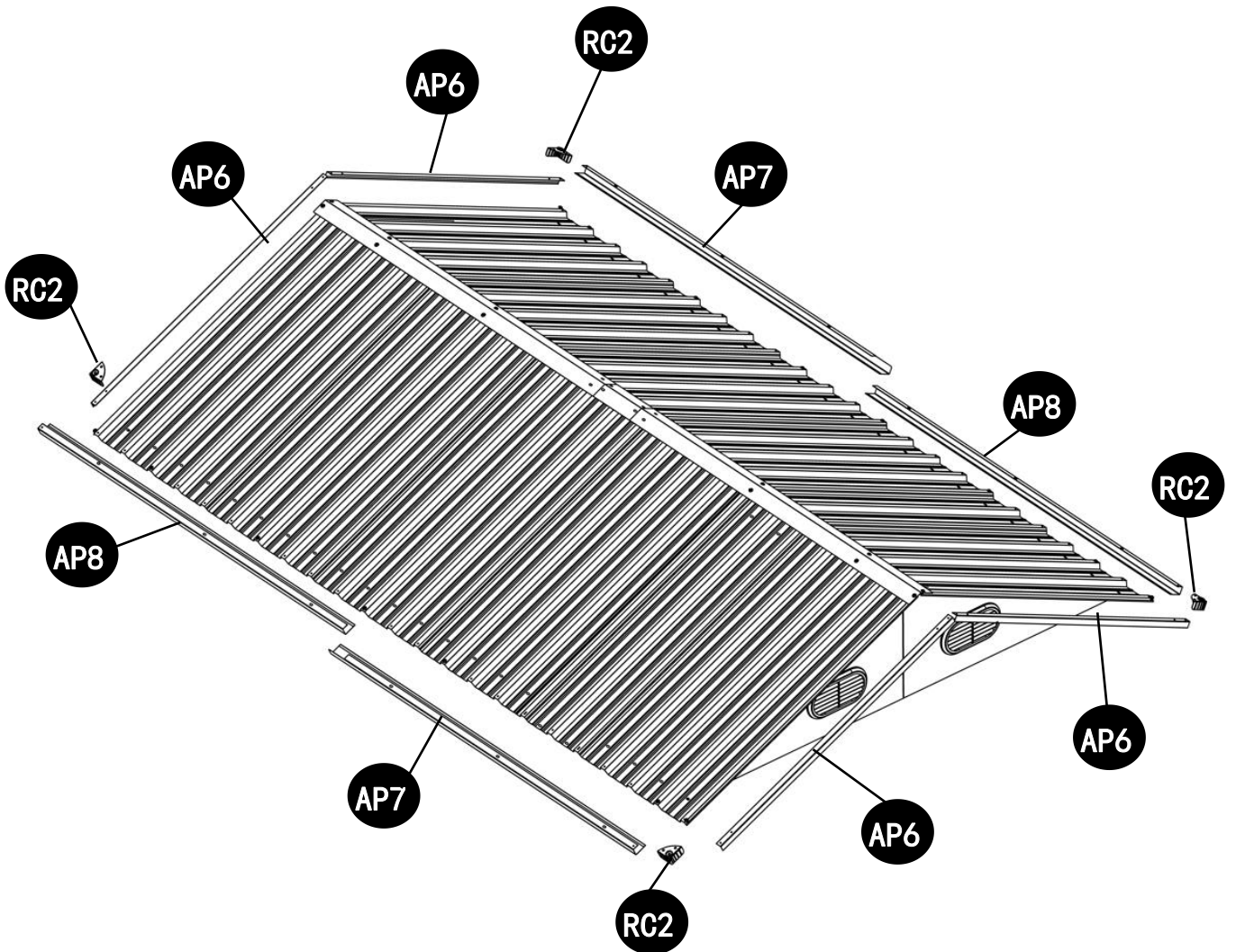
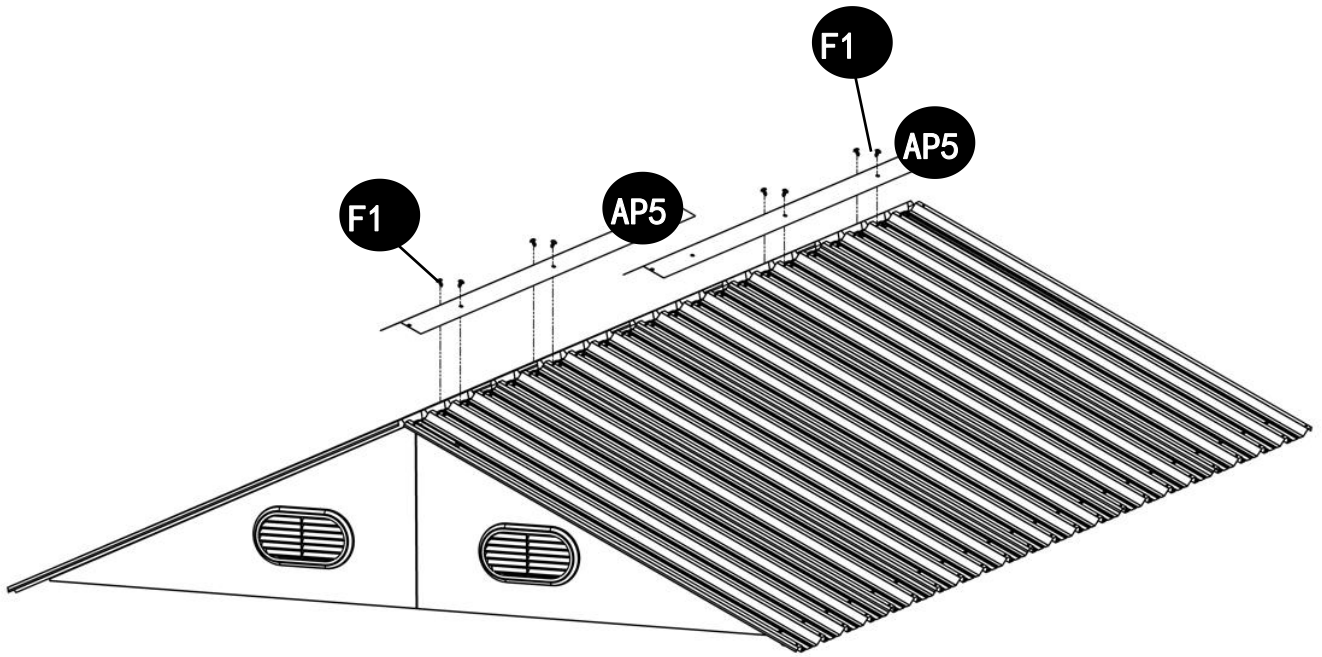


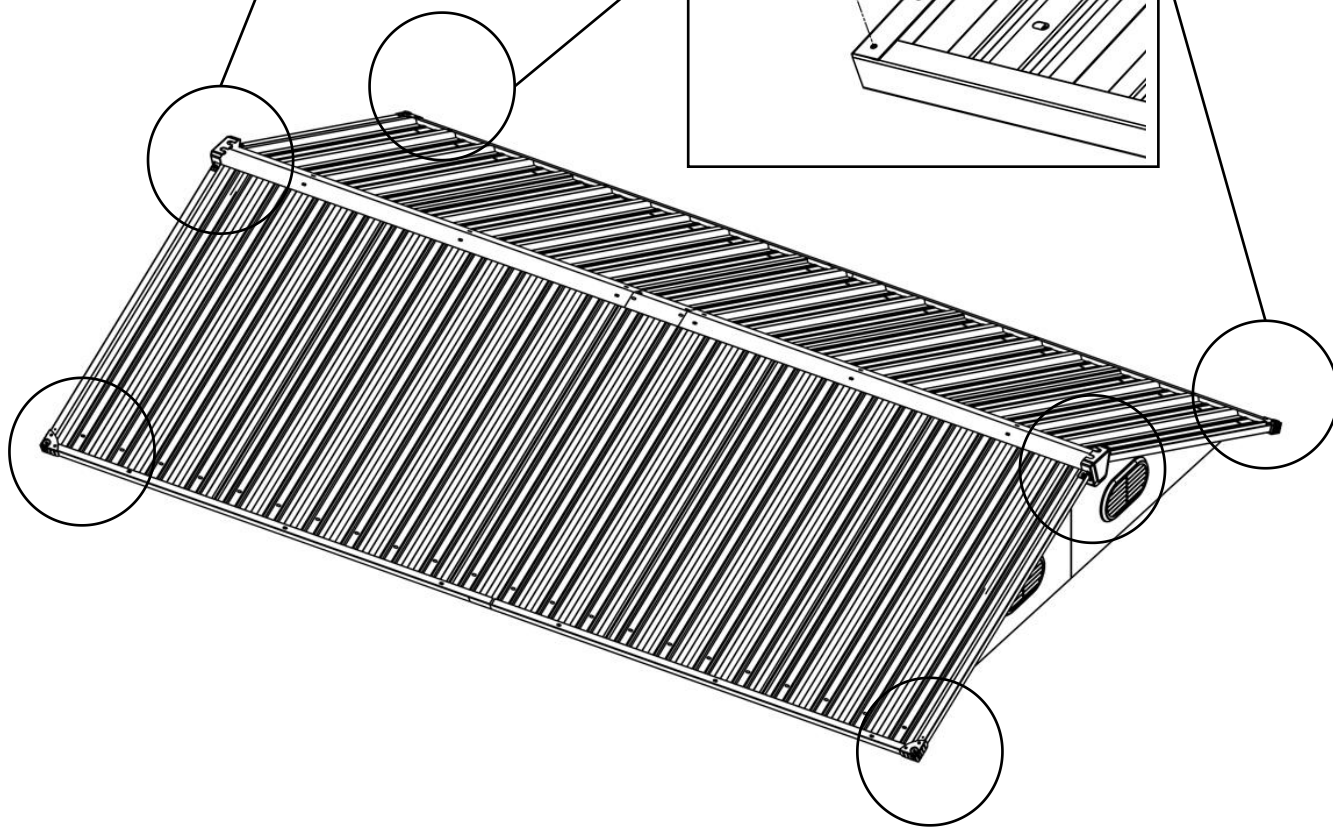
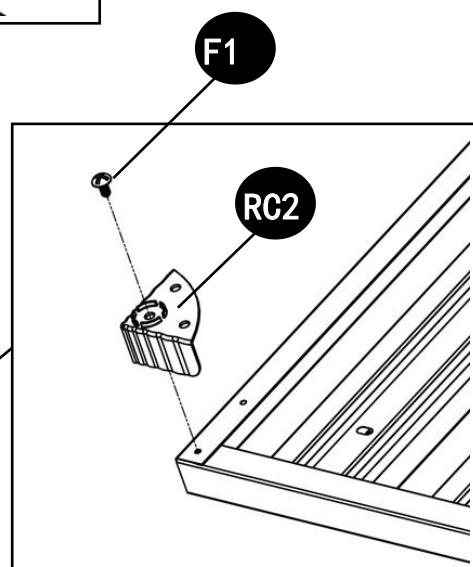
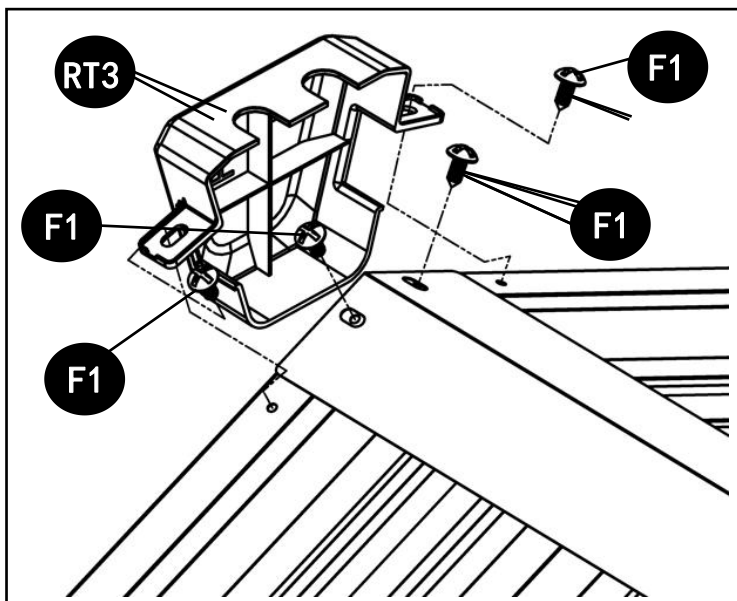


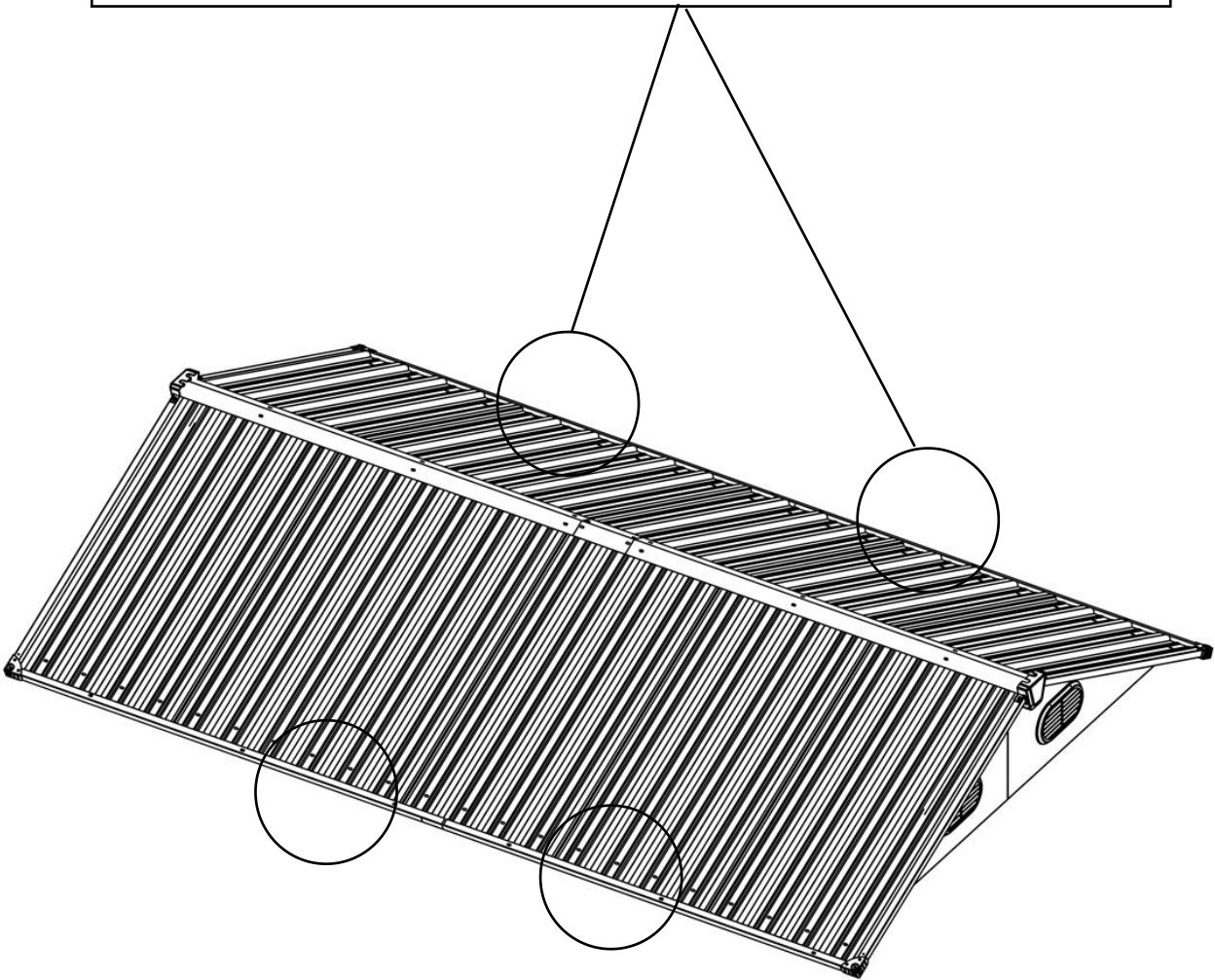
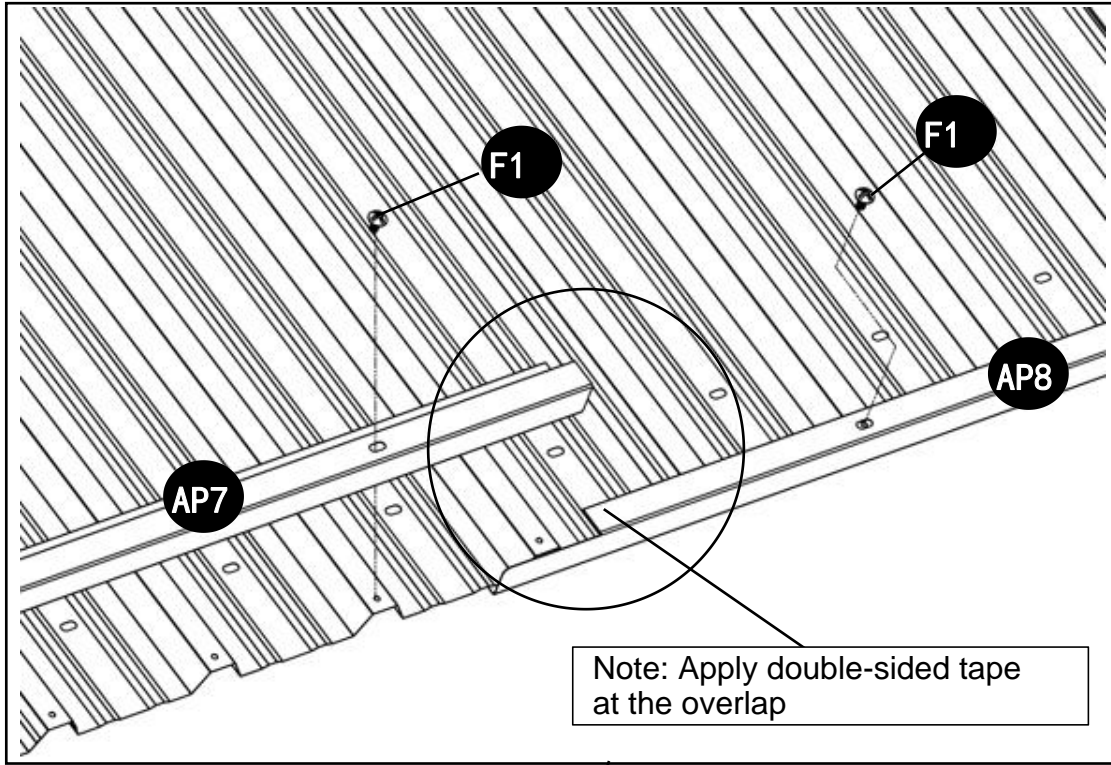




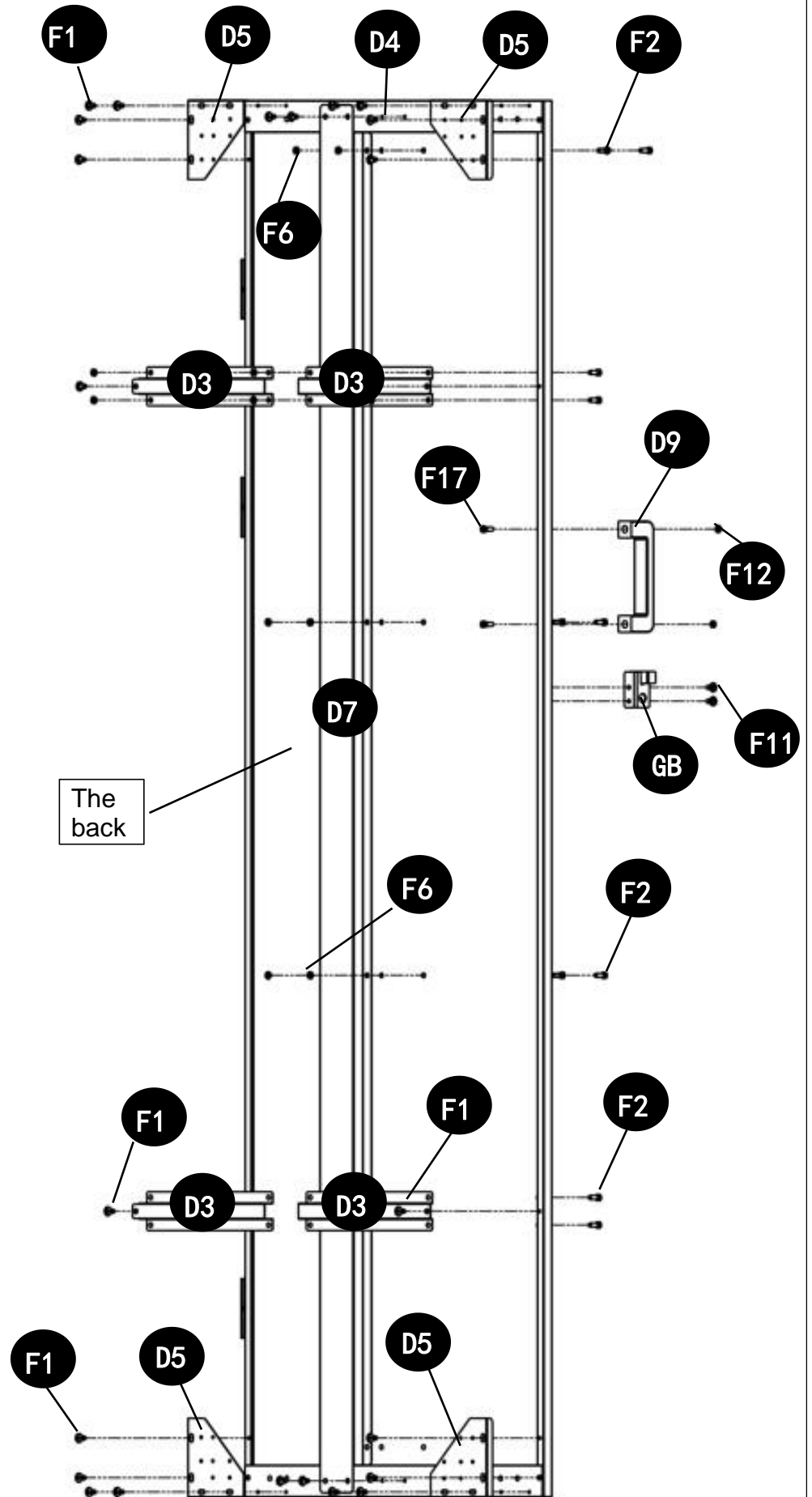


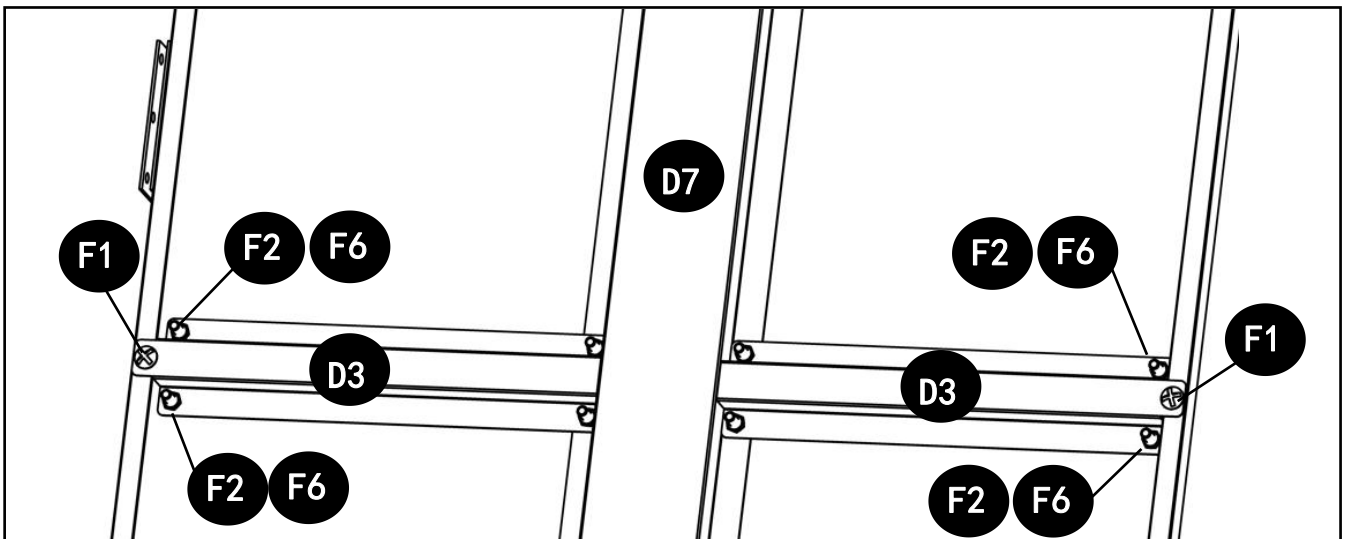
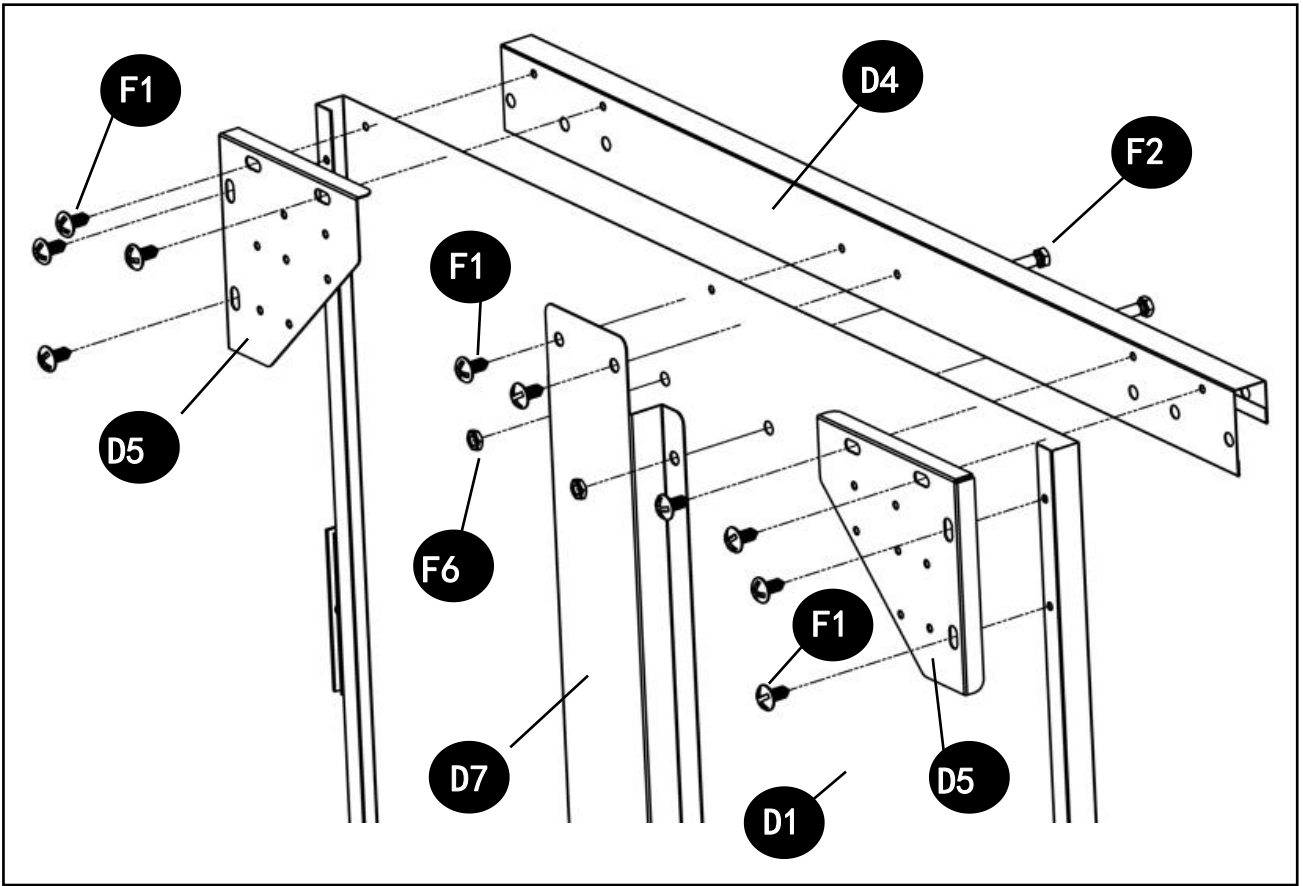


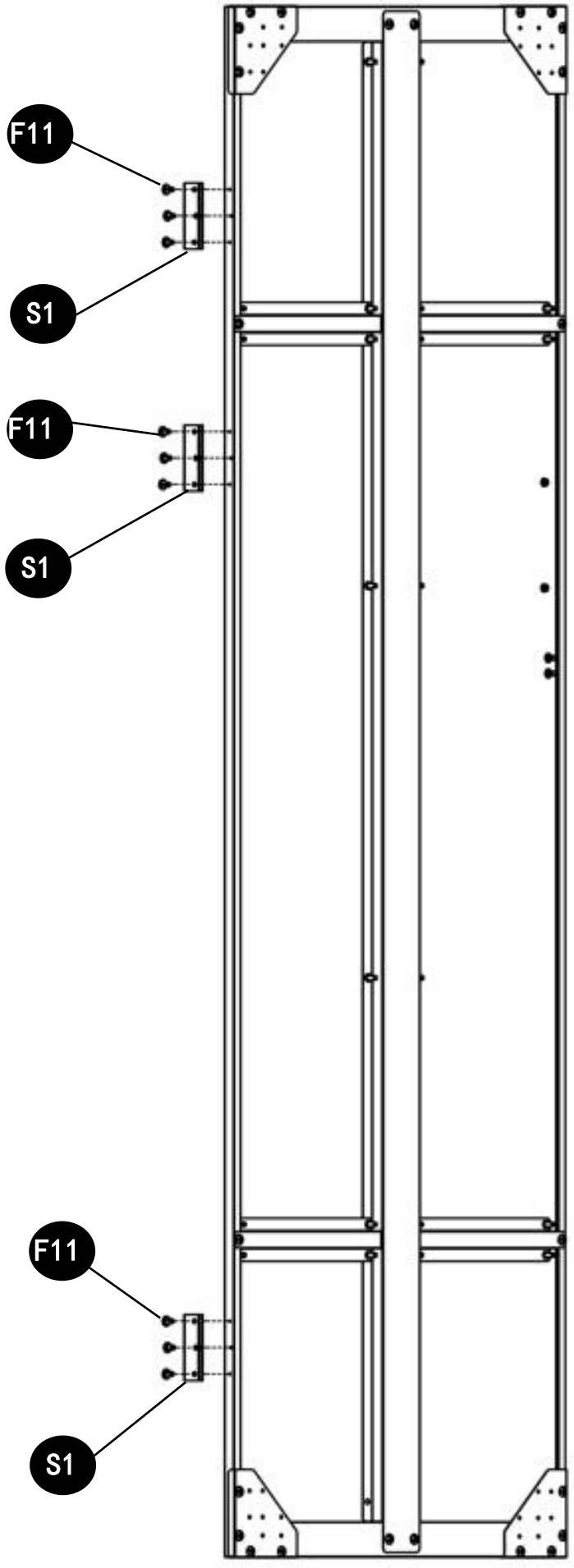




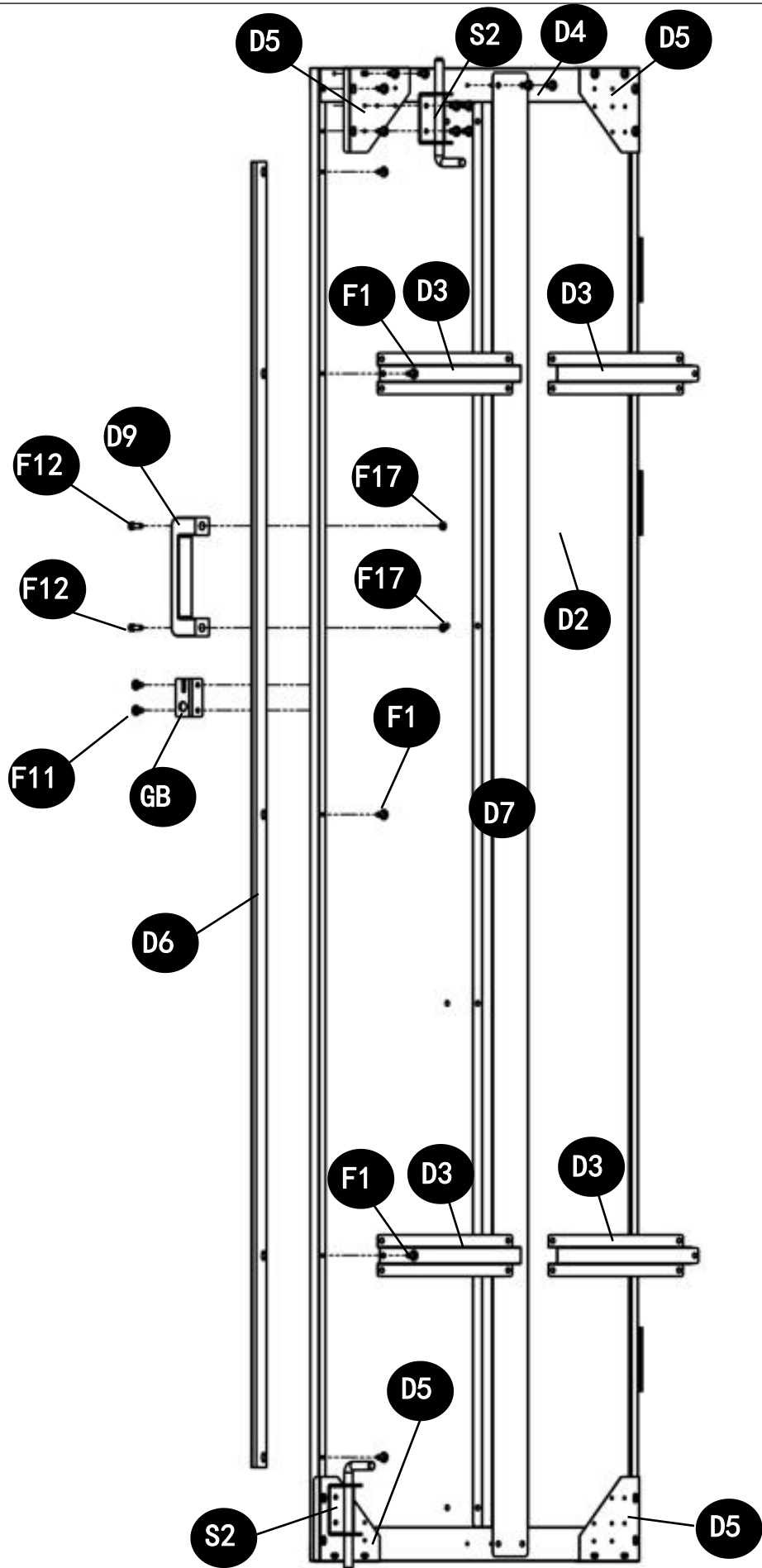
6.Right Door Assembly

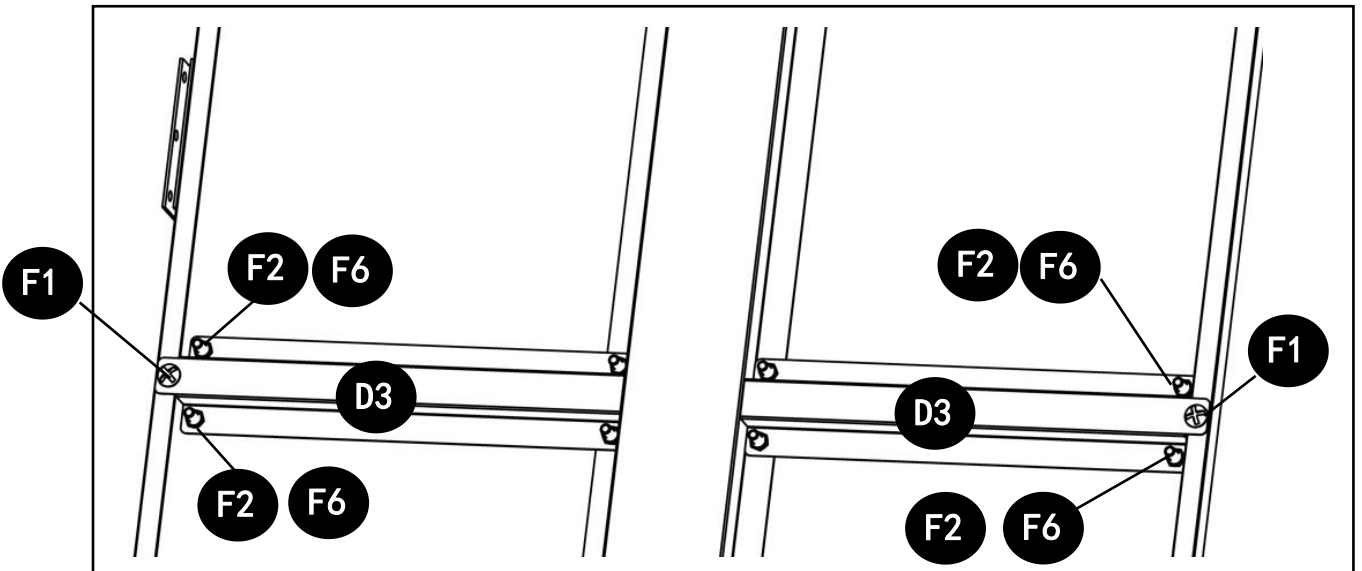
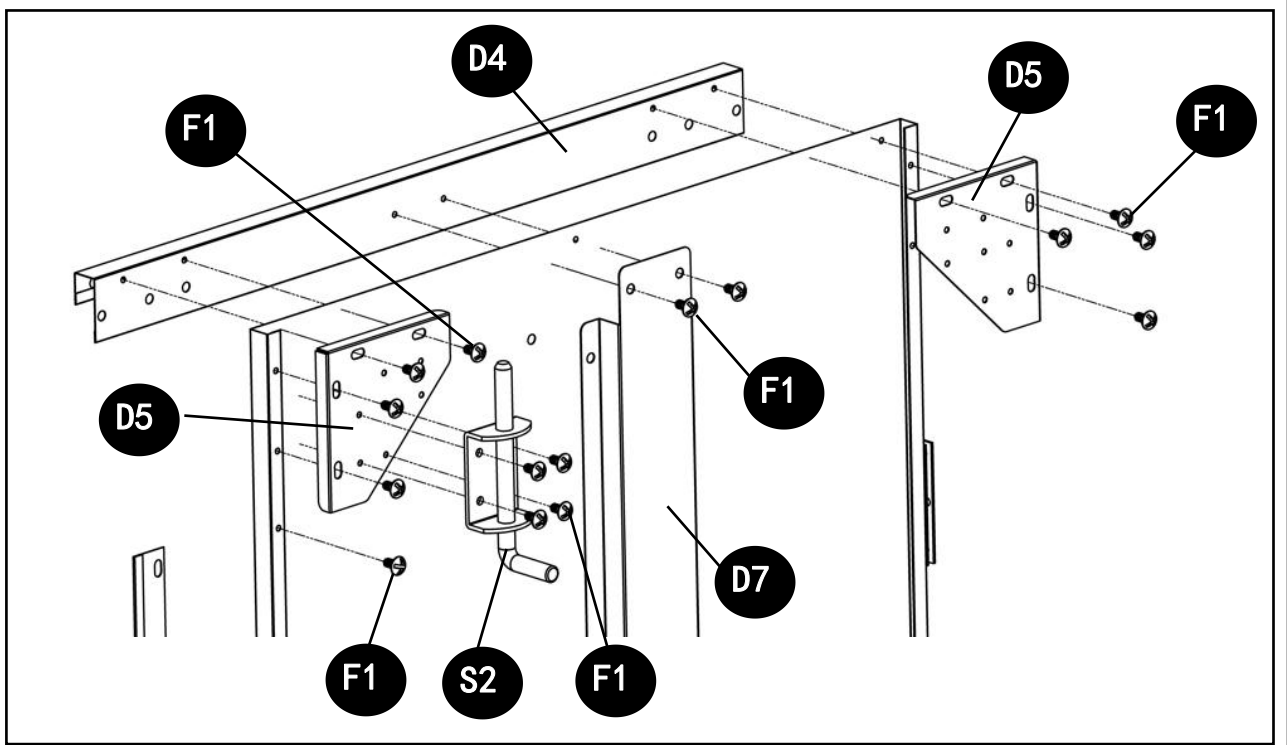


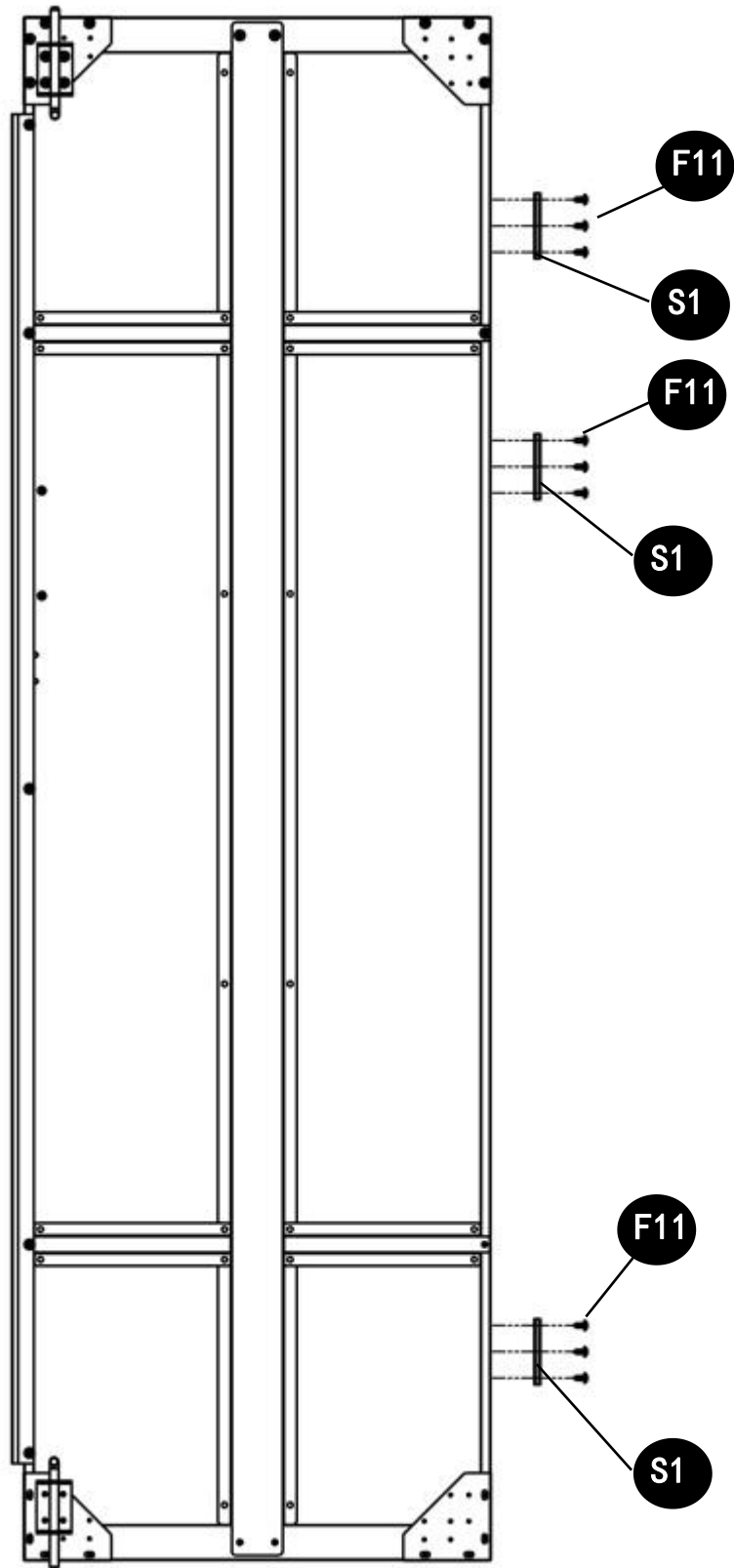




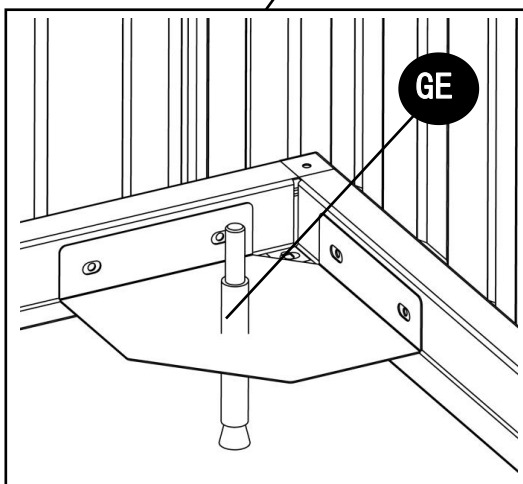
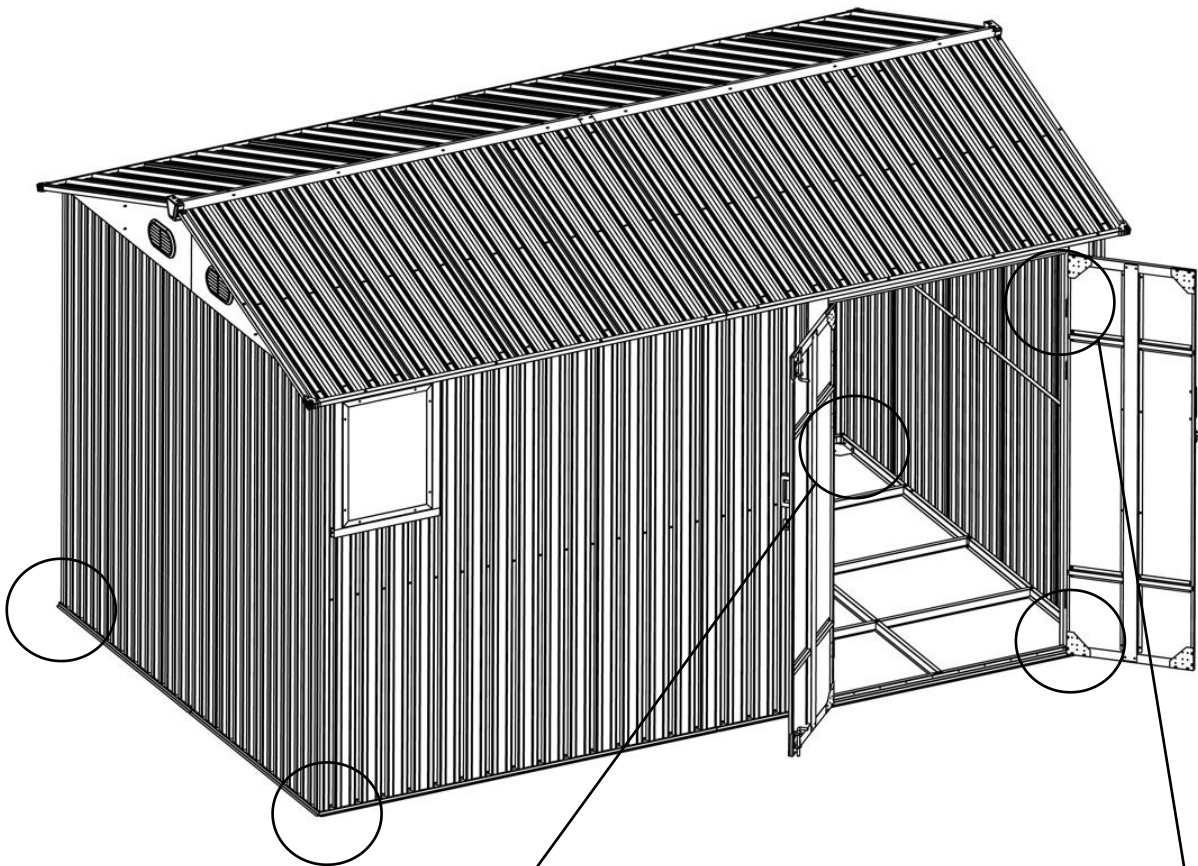
7. Left Door Assembly



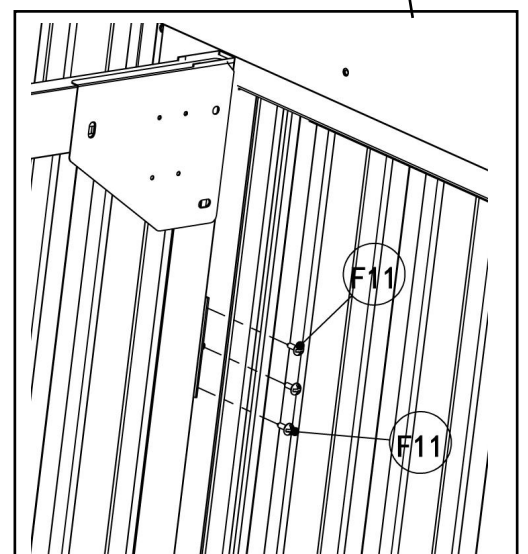




8. Final Assembly



X4



Part	No	Qty
	F8	222

F8

