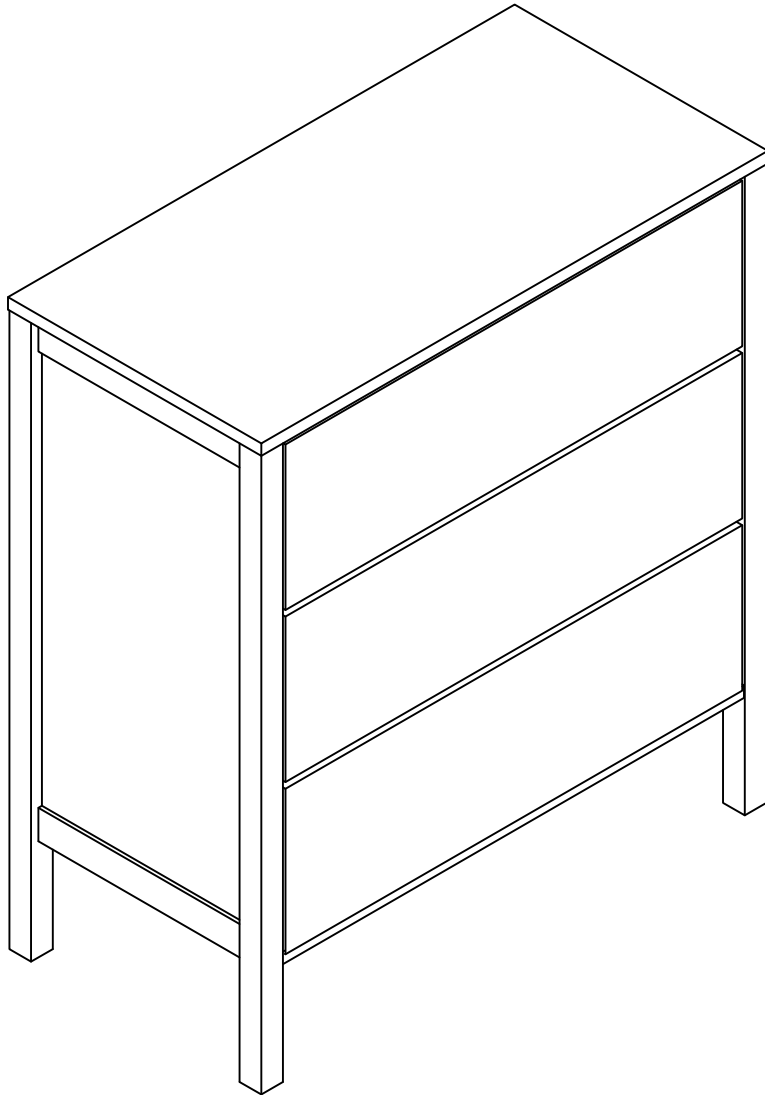


Installation Instruction



Assembling

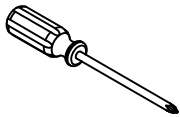
Estimated time for assembly



45 : 00

What you need

- Use the packaging carton as a working surface to prevent product damage during assembly
- Phillips head screwdriver



Weight Limitation

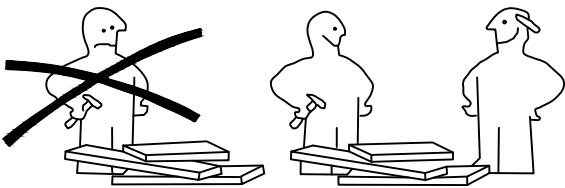


100

lbs table top

35

lbs per

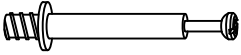


What' included

Code Description	Qty
A Cam Bolt M6X35MM	35
B Cam Lock 15X10MM	35
C Wooden Dowel M8X30MM	4
D Screw M4X40MM	17
E Screw M3.5X14MM	14
F Door Rebound Device	3
G Nylon Strap	2
H Screw M3.0X14MM	30
I Door Rebound Device Holder	3
J Plastic Angle code	12
K Anchor	2
L EVA mat	4
CL Left mother extended orbit	3
CR Right mother extended orbit	3
DL Left public extension track	3
DR Right public extends track	3

The Hardwares

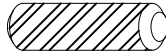
A



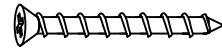
B



C



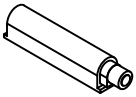
D



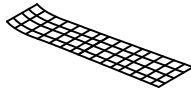
E



F



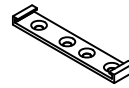
G



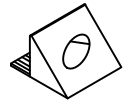
H



I



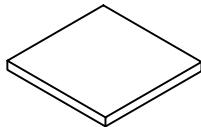
J



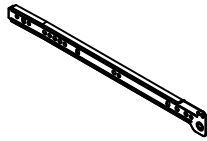
K



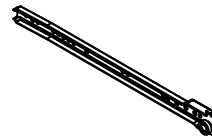
L



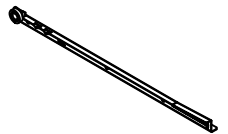
CL



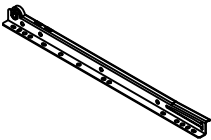
CR



DL



DR



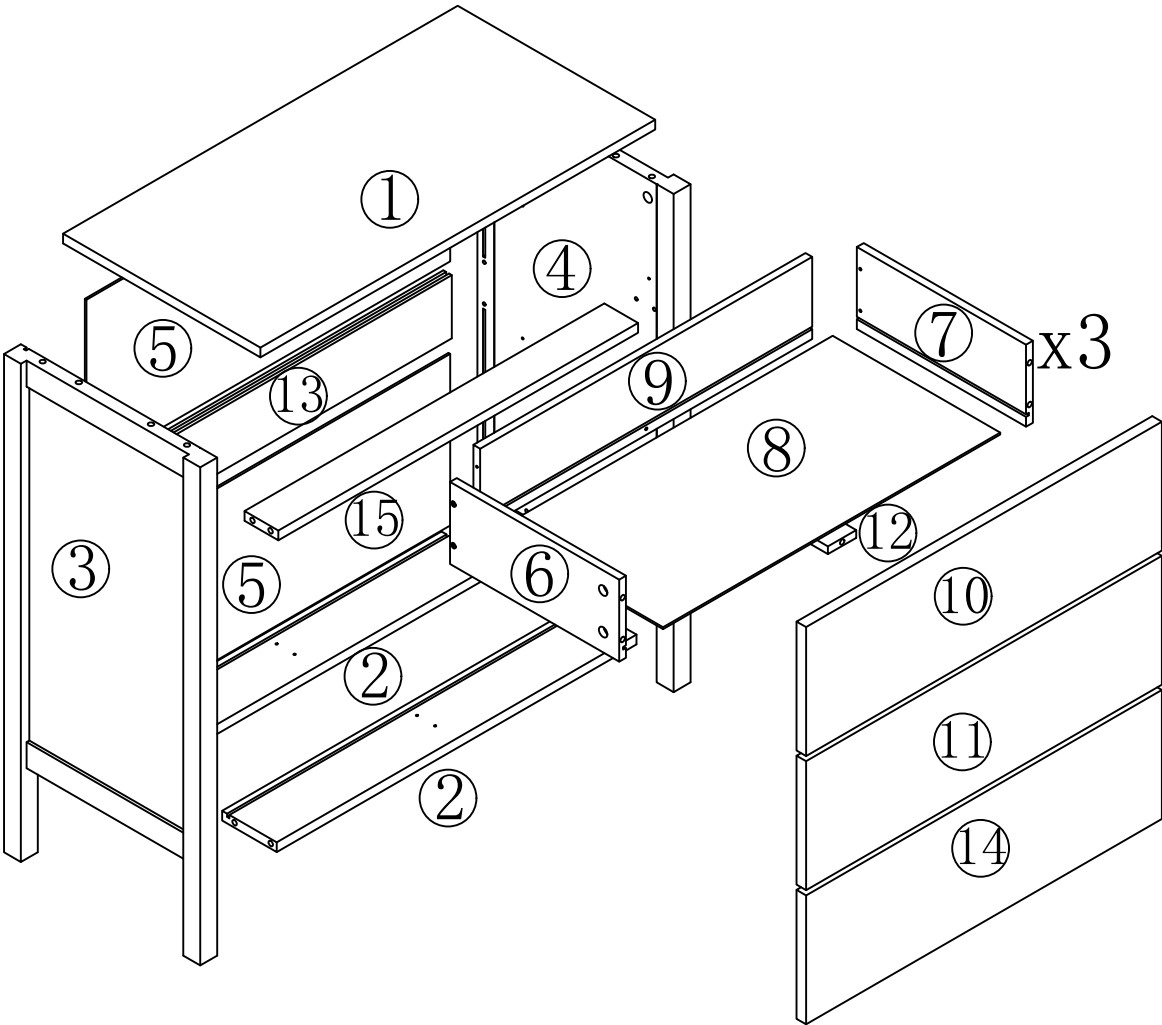
IMPORTANT:

1. Do not tighten bolts / screws completely until all bolts / screws are lined up and inserted into holes.
2. Do not over tighten screws and bolts to avoid stripping
3. Please use hand tools to assemble this product. Do not use power tools.

Included Accessories

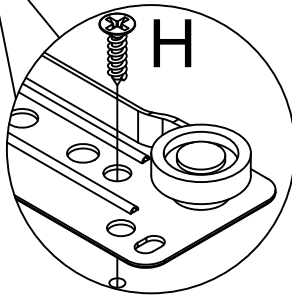
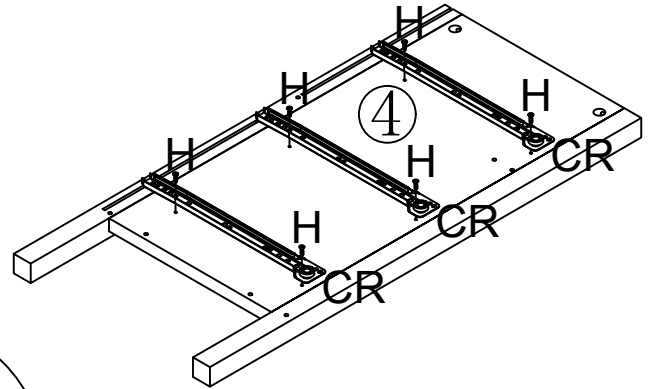
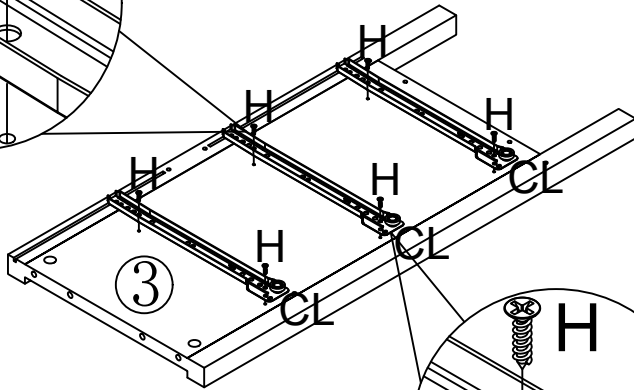
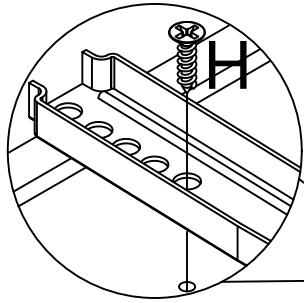
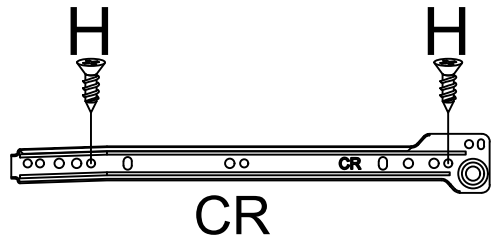
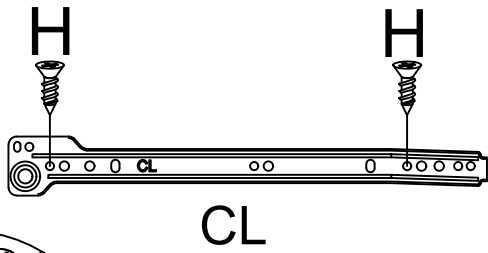
Code	Description	Qty
1	Cabinet Top	1
2	Bottom Panel	2
3	Left Side Panel	1
4	Right Side Panel	1
5	Back Panel	2
6	Drawer left panel	3
7	Drawer right side panel	3
8	The drawer bottom	3
9	After the drawer board	3
10	Top drawer face	1
11	Middle drawer face	1
12	At the bottom of the drawer	3
13	Back stiffener	1
14	Bottom drawer face	1
15	Drawer damper	1

The Accessoriess



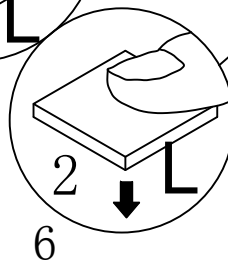
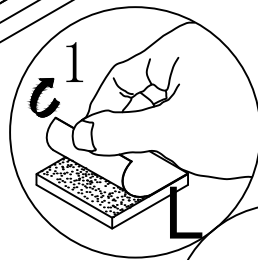
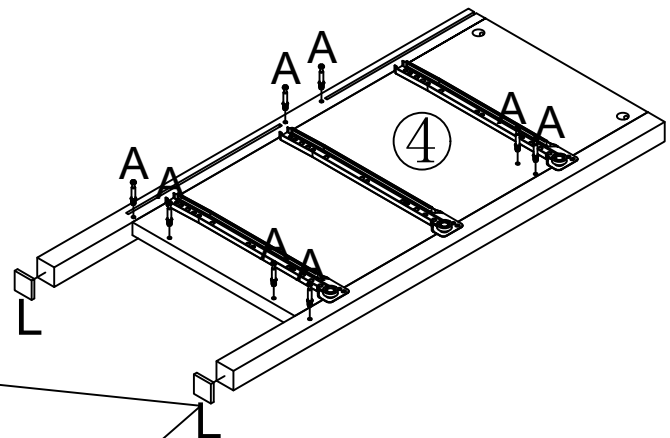
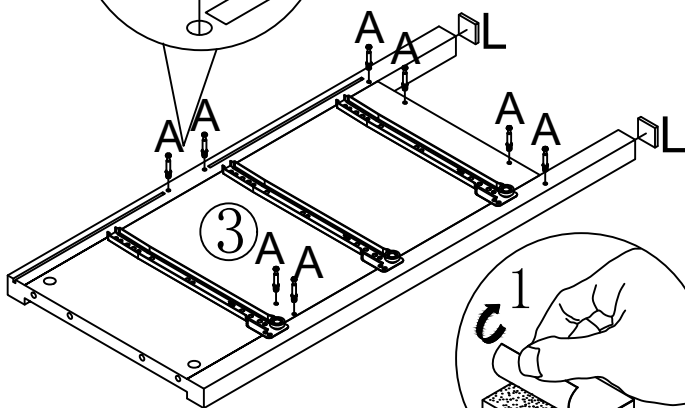
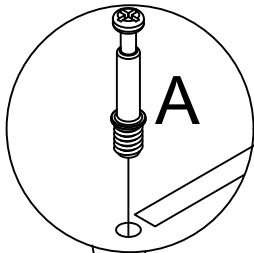
Step 1

CL	×3	CR	×3	H	×12

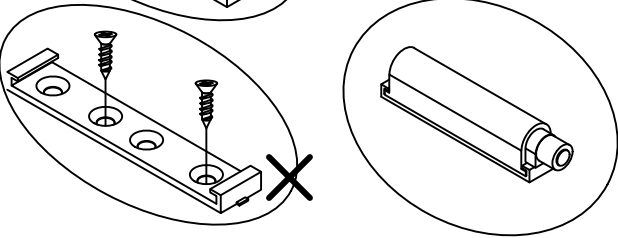
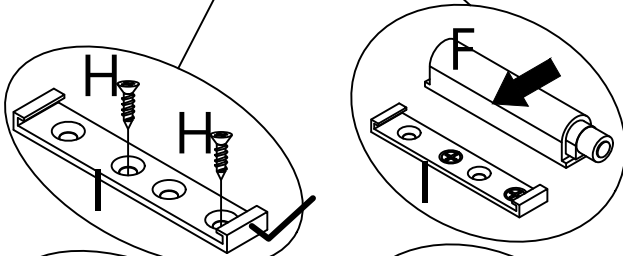
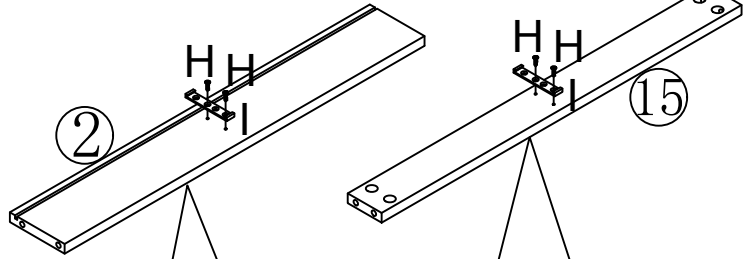
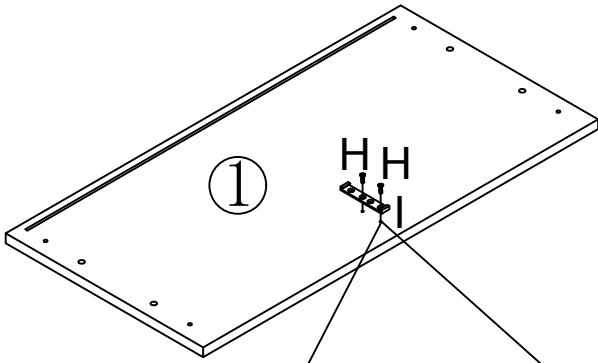
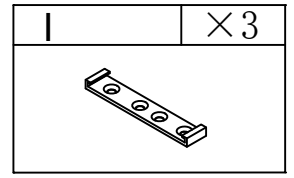
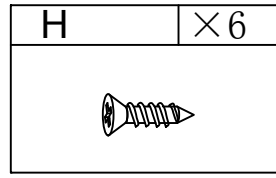
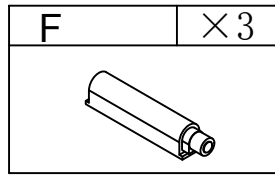


Step 2

A	×16	L	×4



Step 3

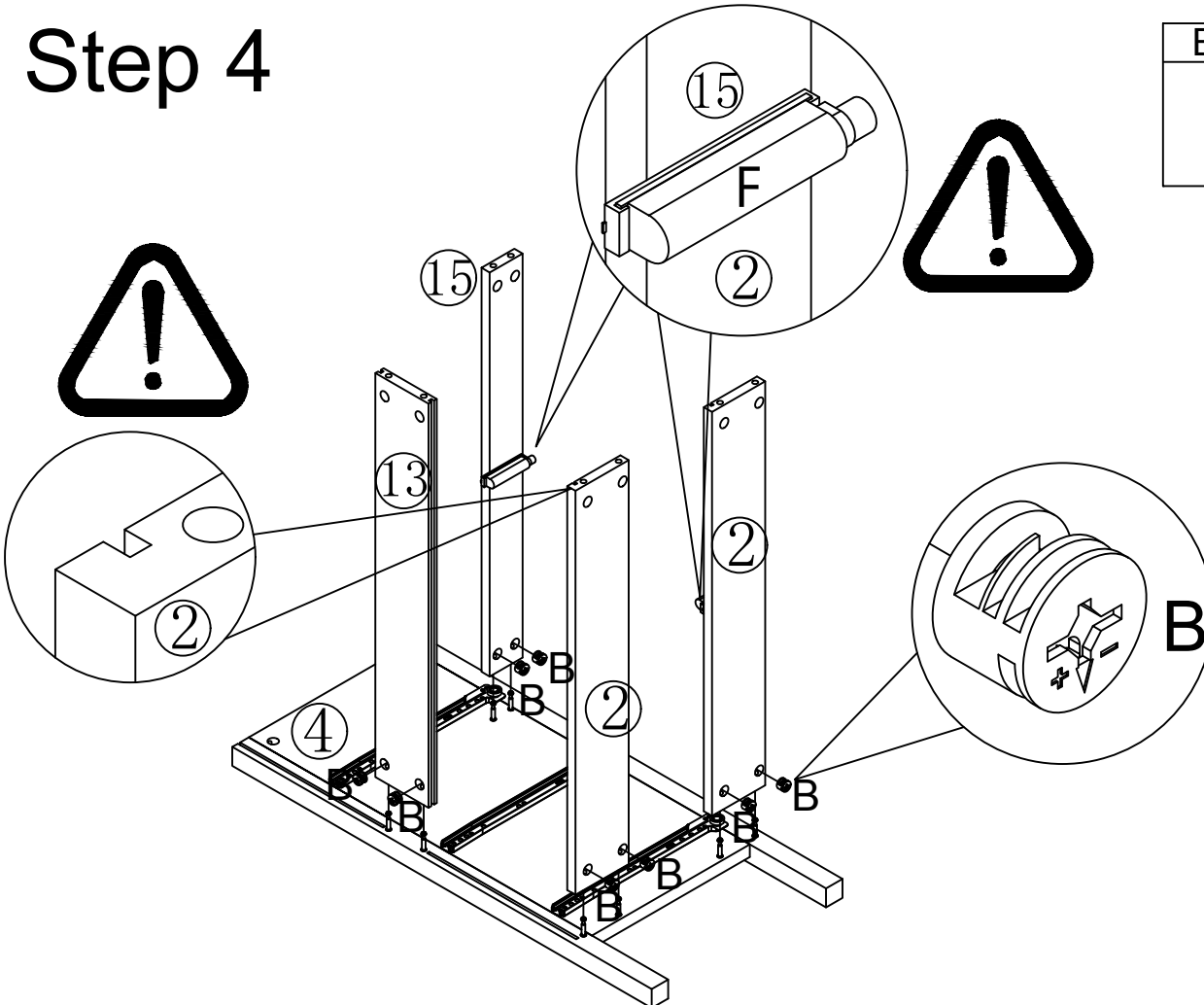
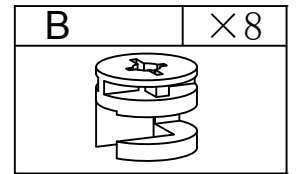


This side has PVC sealing edge

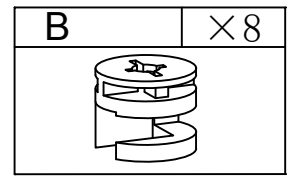
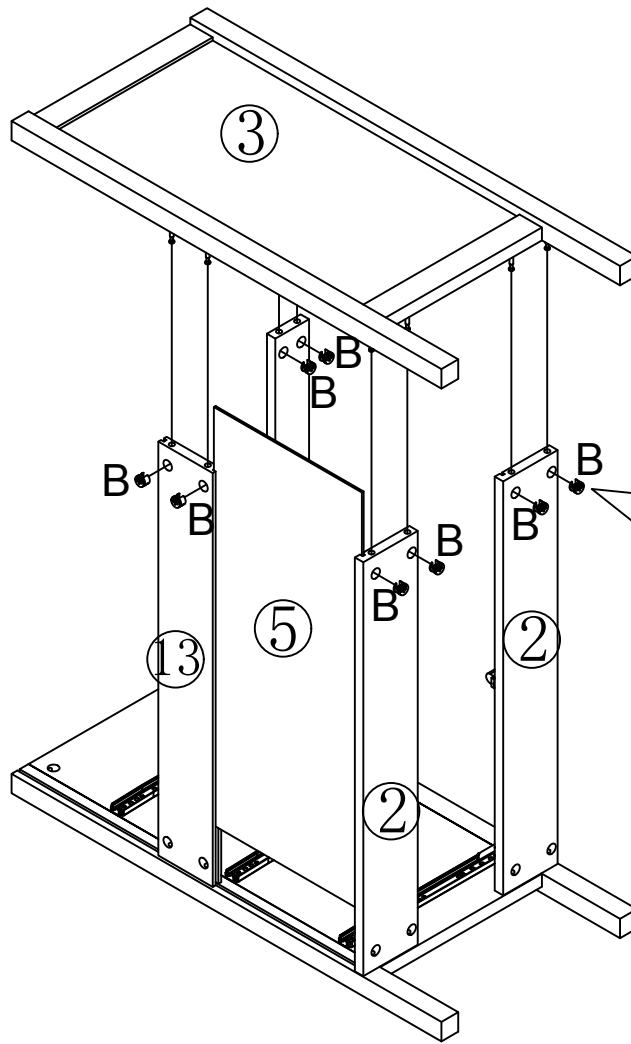


There are two pieces of part ② and only one piece is used in this step

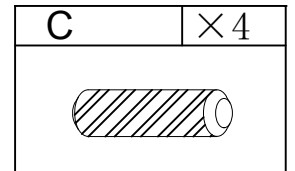
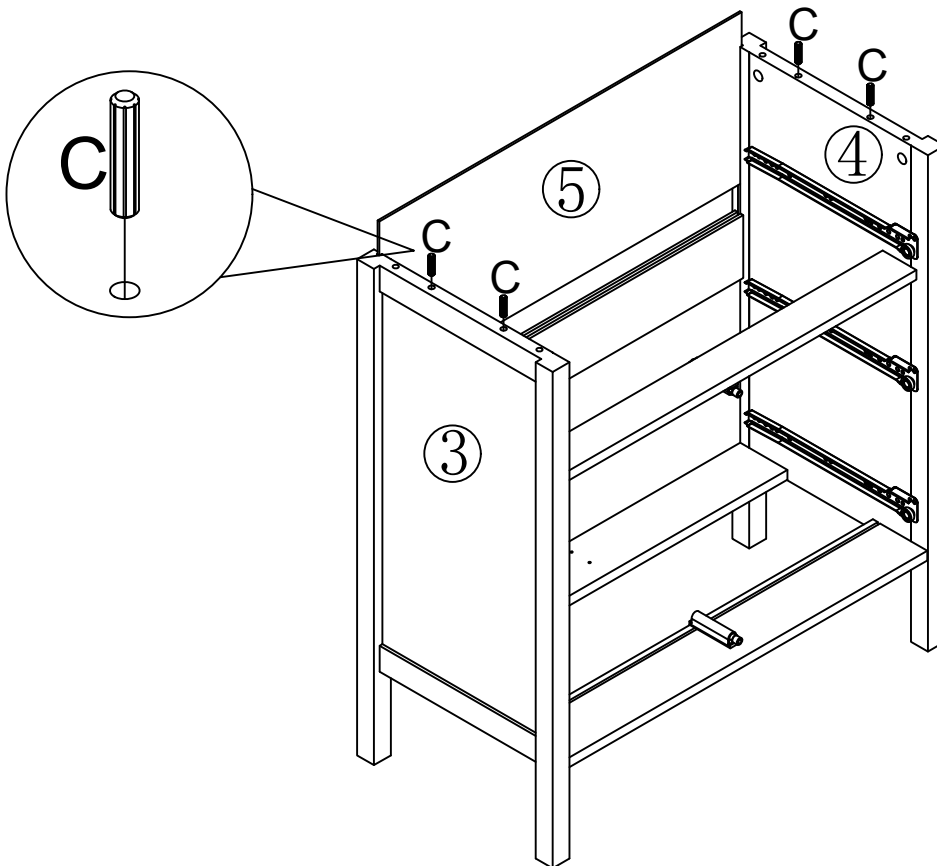
Step 4



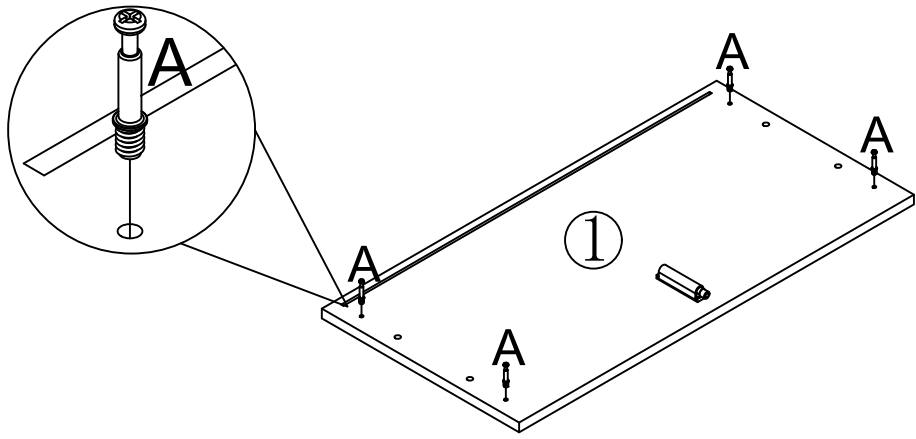
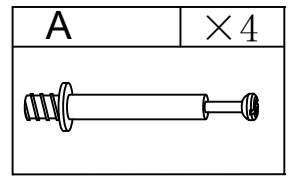
Step 5



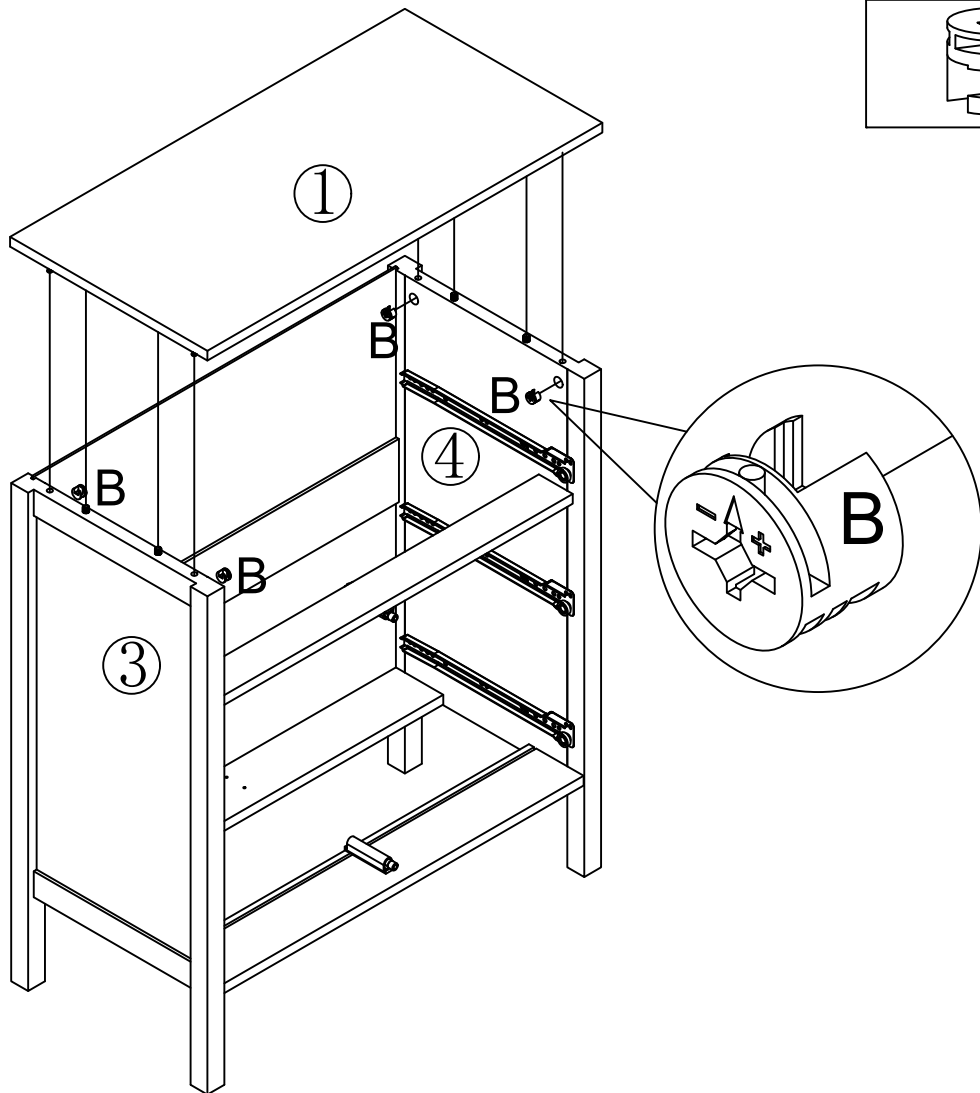
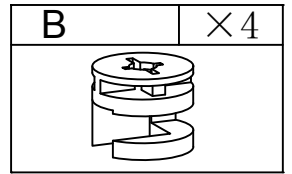
Step 6



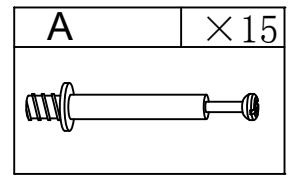
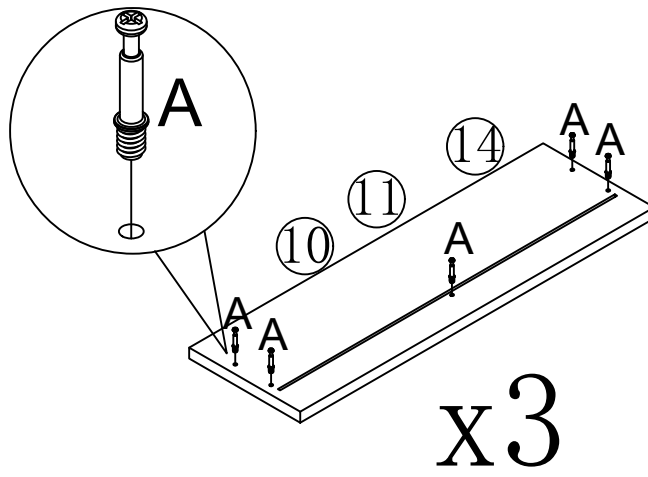
Step 7



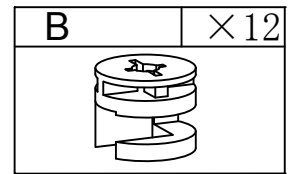
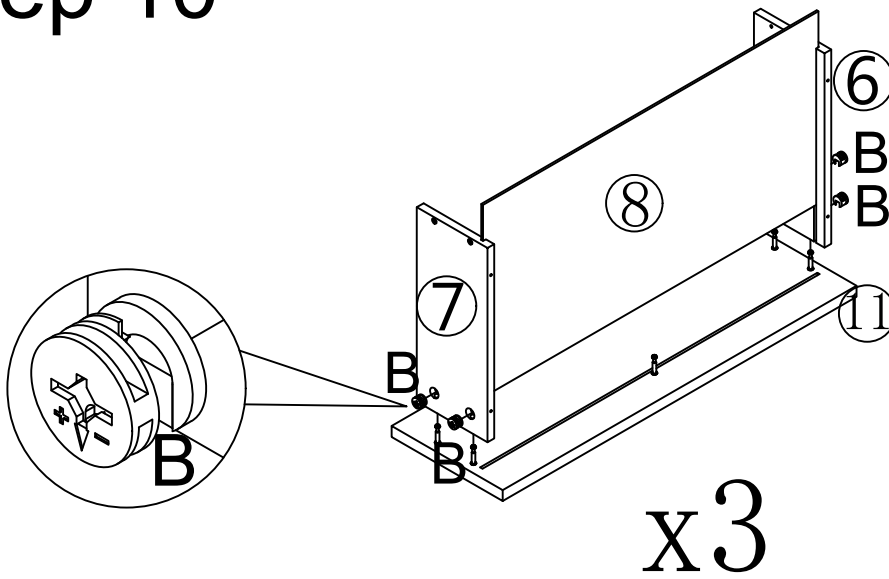
Step 8



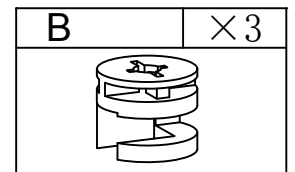
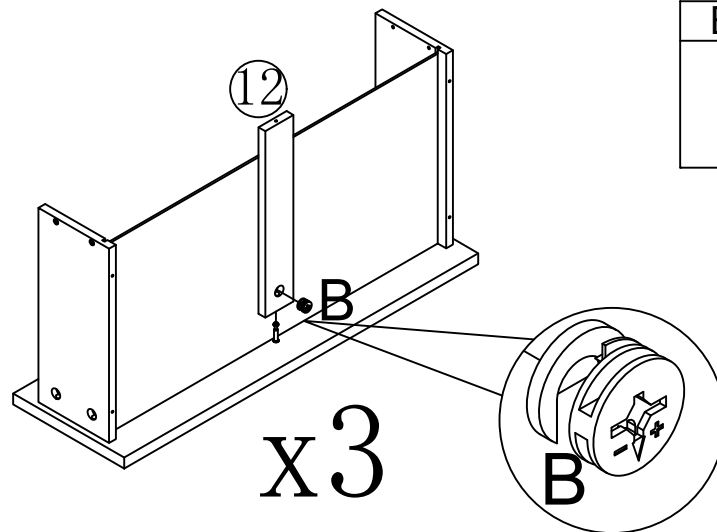
Step 9



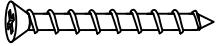
Step 10

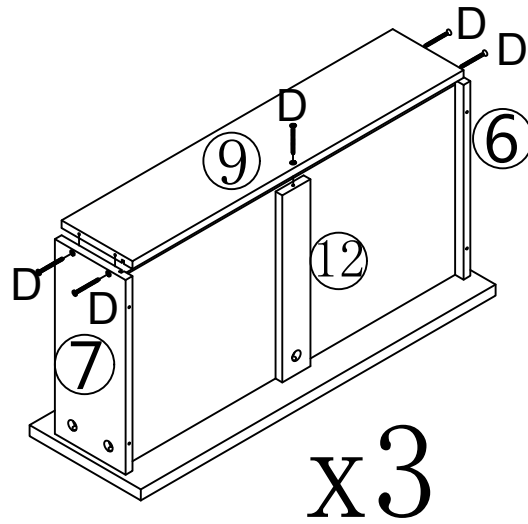


Step 11




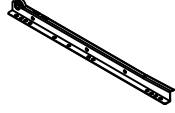
Step 12


D	×15
	

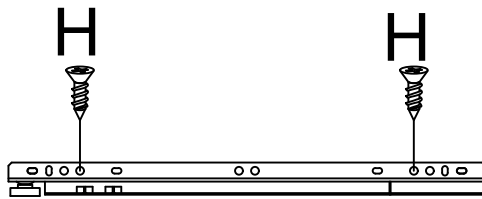


Step 13

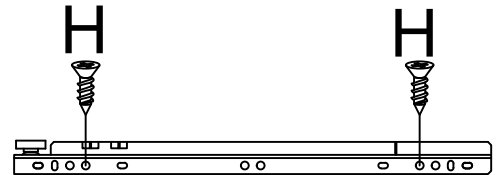
DL	×3
	

DR	×3
	

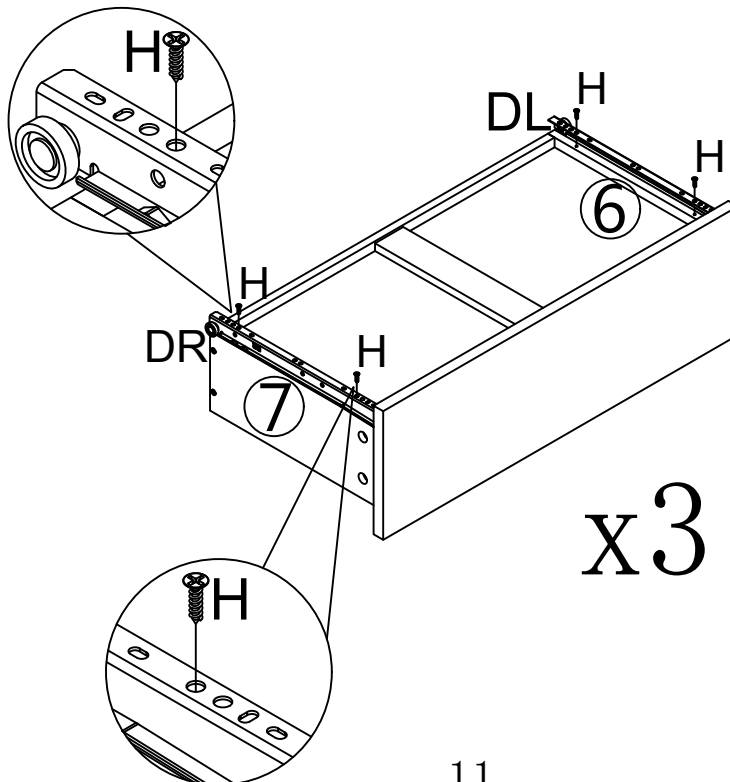
H	×12
	



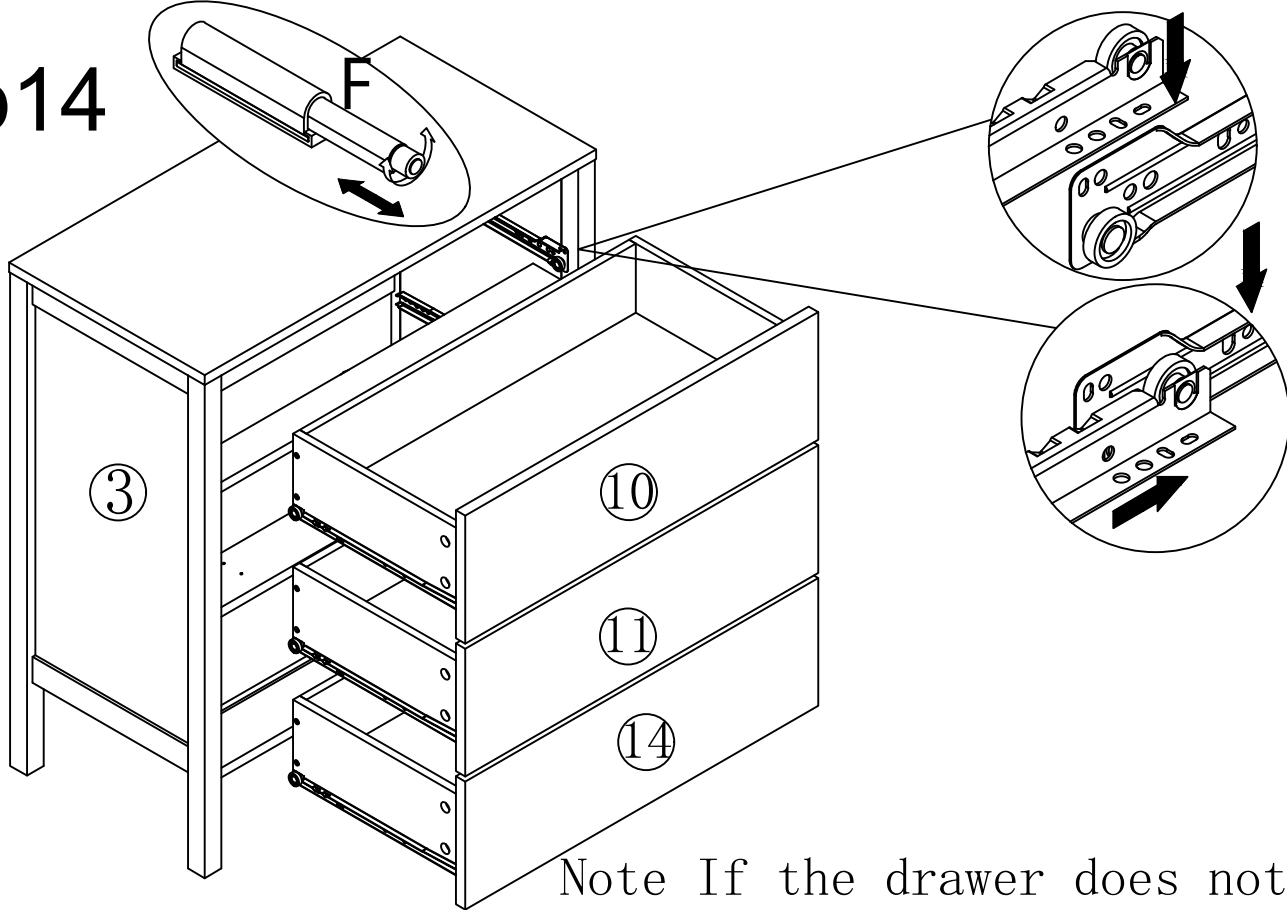
DR



DL


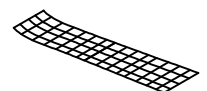
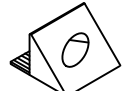


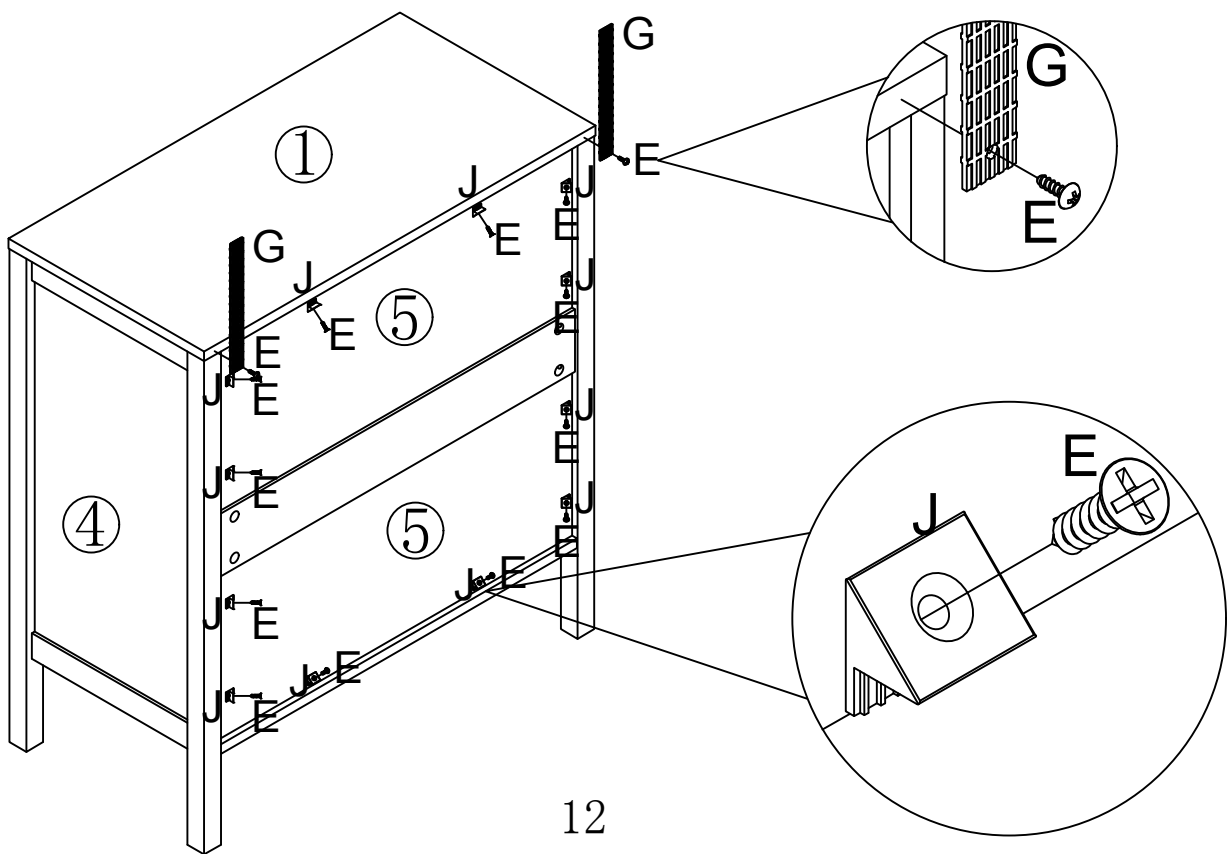
Step 14



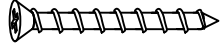
Note If the drawer does not pop out, please adjust the rebound device as shown in the figure

Step 15

E	×14	G	×2	J	×12
					



Step 15

D	×2
	

K	×2
