

COFFEE TABLE

ASSEMBLY INSTRUCTION



ASSEMBLY INSTRUCTION

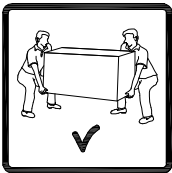
ASSEMBLY TIPS:

- 1.Remove hardware from box and sort by size.
- 2.Please check to see that all hardware and parts are present prior to start of assembly.
- 3.Please follow attached instructions in the same sequence as numbered to assure fast & easy assembly.



Warning !!

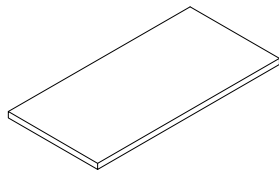
1. Don't attempt to repair or modify parts that are broken or defective .Please contact the store immediately.
2. This product is for home use only and not intended for commercial establishment.



ASSEMBLY TIME PER UNIT: 20 MINUTES

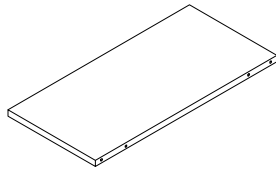
PARTS IDENTIFICATION

(A) TOP



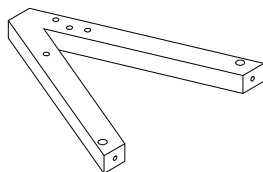
1 PC

(B) BOTTOM PANEL



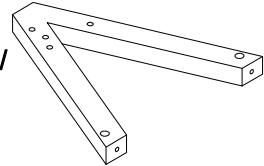
1 PC

(C) FRONT LEFT LEG/
REAR RIGHT LEG



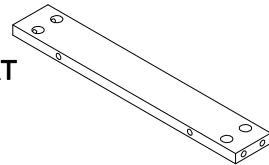
2 PCS

(D) FRONT RIGHT LEG/
REAR LEFT LEG









2 PCS

(E) BOTTOM SUPPORT

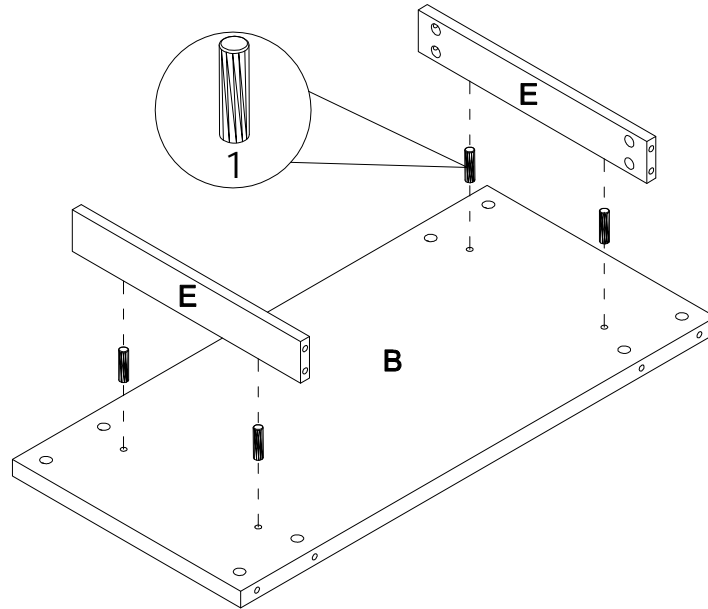


2 PCS

ASSEMBLY INSTRUCTION

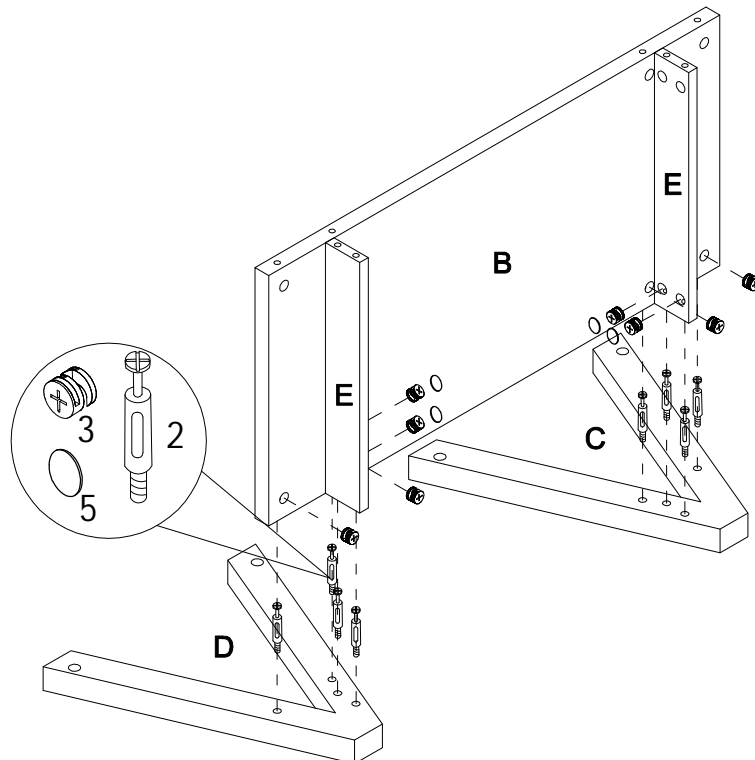
Z	HARDWARE PACKAGE		
NO	DESCRIPTION	FIGURE	Q' TY
1	DOWEL $\phi 8 \times 25 \text{mm}$		4pcs
2	CAMBOLT L29mm		24pcs
3	CAMLOCK $\phi 15 \text{mm}$		24pcs
4	STICKER $\phi 20 \text{mm(BK)}$		8pcs
5	STICKER $\phi 20 \text{mm}$		8pcs
6	GLUE		1pc

ASSEMBLY INSTRUCTION



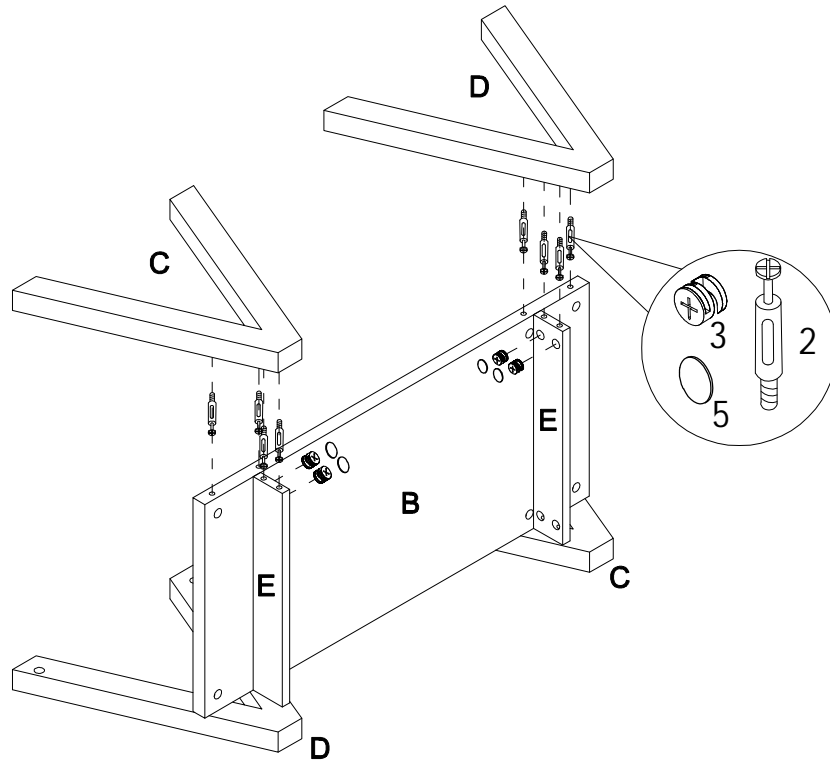
STEP1

STEP2



ASSEMBLY INSTRUCTION

STEP3



STEP4

