

Assembly Instruction

Accent Cabinet




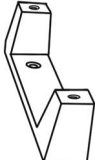




Assembly Instruction

WARNING:

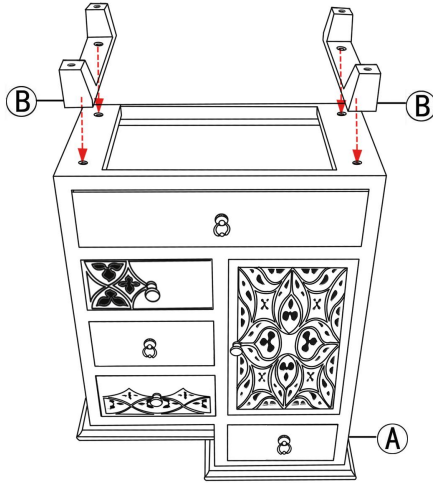
- Read all instructions carefully and completely before assembly and use.
- Retain for future reference.
- DO NOT use power tools.
- DO NOT over-tighten hardware.
- Periodically check all hardware and re-tighten as necessary.
- DO NOT use product if any component becomes damaged.
- For residential (non-commercial) use only.
- DO NOT sit or stand on product. Use only for intended purpose.
- DO NOT exceed 80lbs for the tabletop, evenly distributed.

Parts List

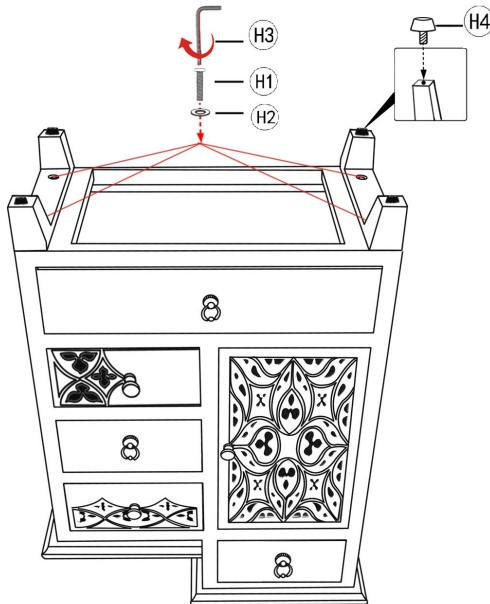
Check all parts before assembly

<p>A. <u>Item Body</u></p>  <p style="text-align: right;">* 1</p>	<p>B. <u>Leg</u></p>  <p style="text-align: right;">* 2</p>		
<p>H1. <u>Hex bolt</u></p>  <p style="text-align: center;">*4(+1 extra)</p>	<p>H2. <u>Washer</u></p>  <p style="text-align: center;">*4(+1 extra)</p>	<p>H3. <u>Alley key</u></p>  <p style="text-align: center;">* 1</p>	<p>H4. <u>Foot pad</u></p>  <p style="text-align: center;">* 4</p>

Step 1: Put the Tabletop (A) on a soft surface to protect the finish. Put the Legs (B) on the right position as below shown.



Step 2: Attach the Legs (B) with Hex bolts (H1) and Washers (H2) using Allen key (H3) as below photo shown. And attach the Foot pads (H4) to the bottom of all Legs as shown in picture below.



Assembly finished.



Notice:

If you have any inquiries regarding your purchase or any other products for sale, please don't hesitate to contact us with your order ID. Our dedicated customer service team is available to assist you.