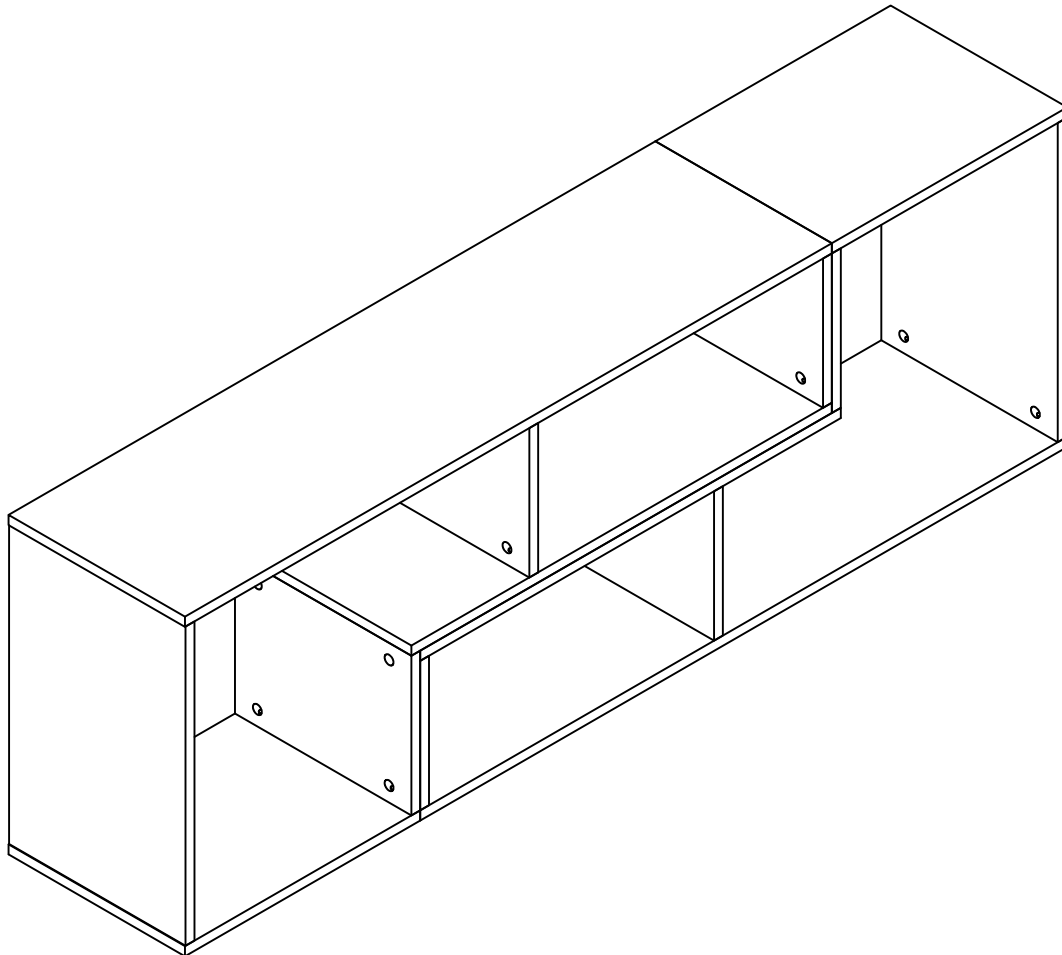
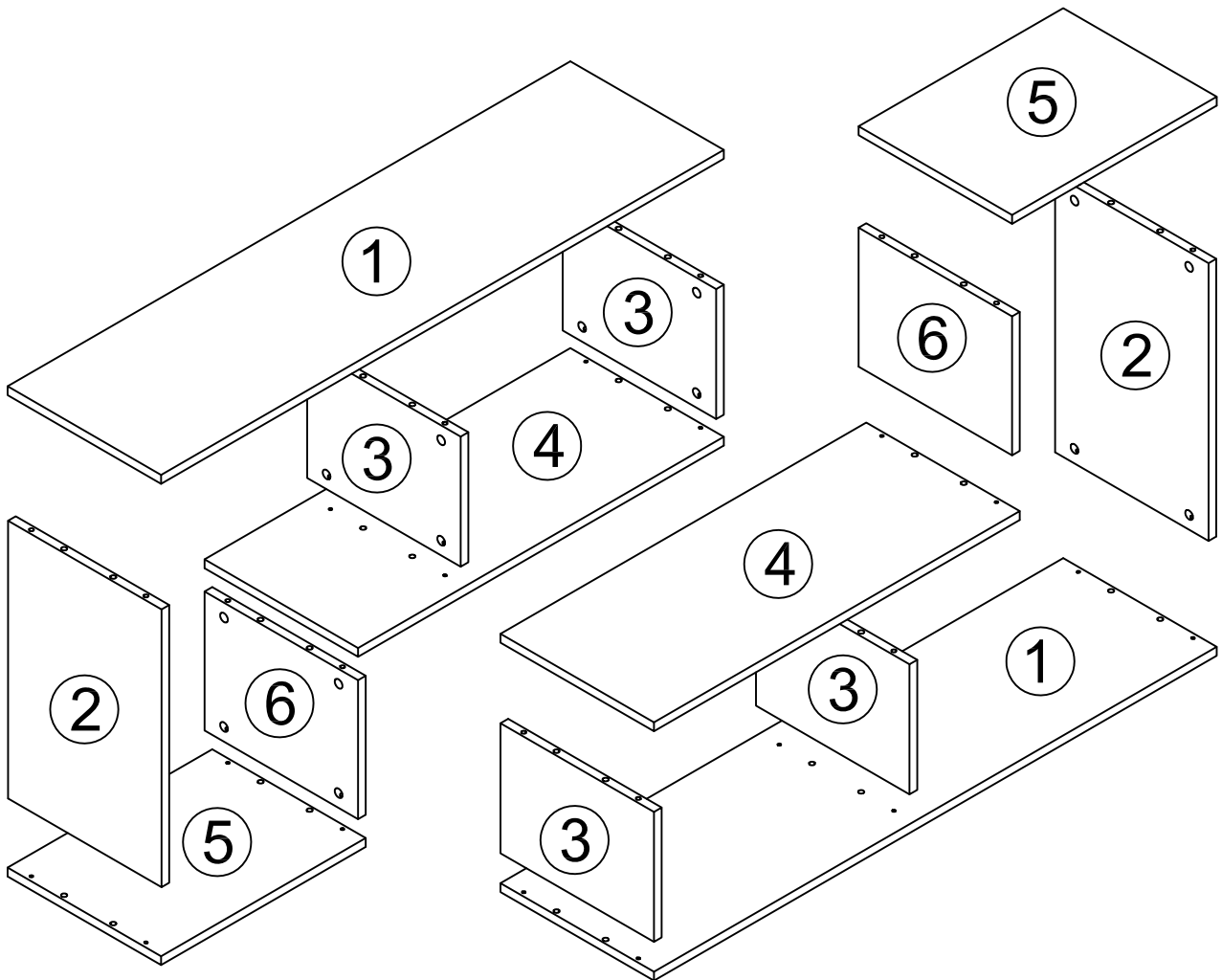


1

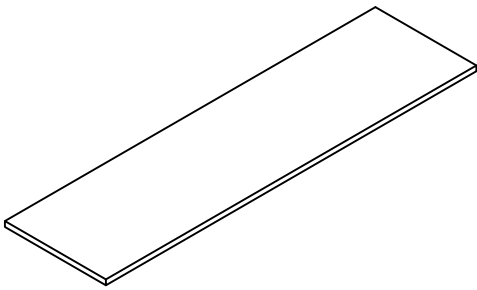
ASSEMBLY INSTRUCTIONS



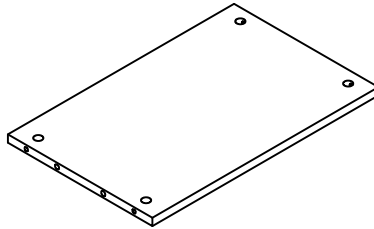
BOARD IDENTIFICATION



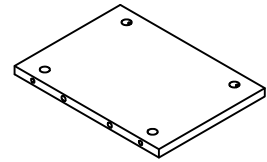
BOARD IDENTIFICATION



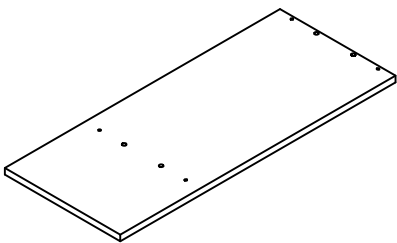
①
MAIN PANE
QTY:2



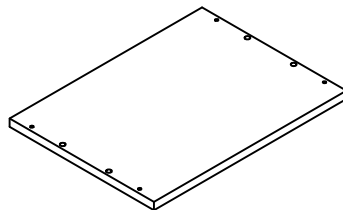
②
SIDE PANEL
QTY:2



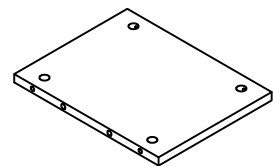
③
MIDDLE SIDE PANEL
QTY:4



④
FIXED PANEL
QTY:2



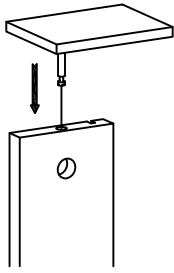
⑤
BOTTOM
QTY:2



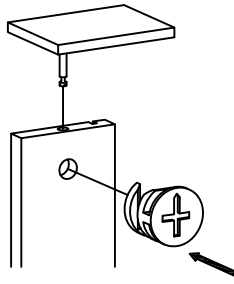
⑥
MIDDLE SIDE PANEL
QTY:2

4

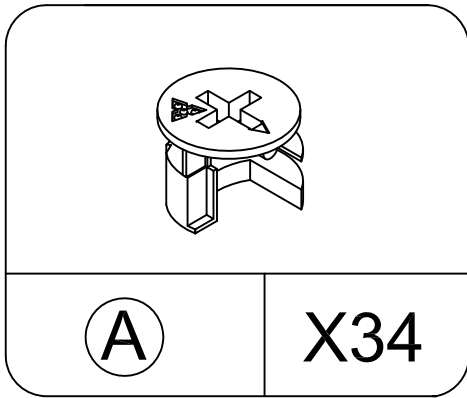
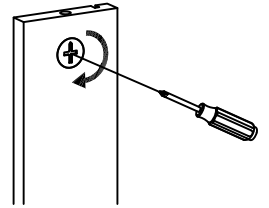
1



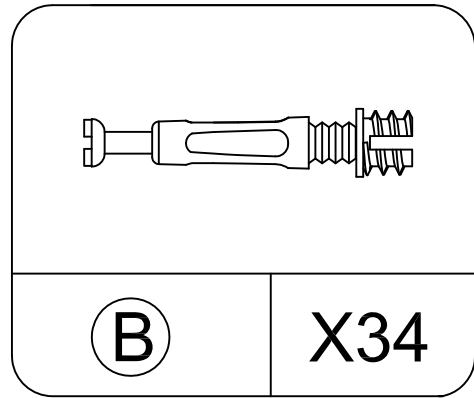
2



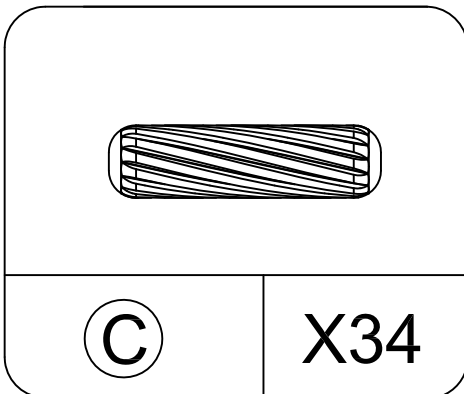
3



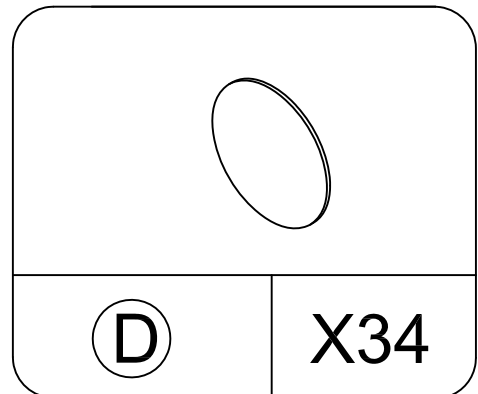
CAM LOCK
F15*11



CAM BOLT
F7*31



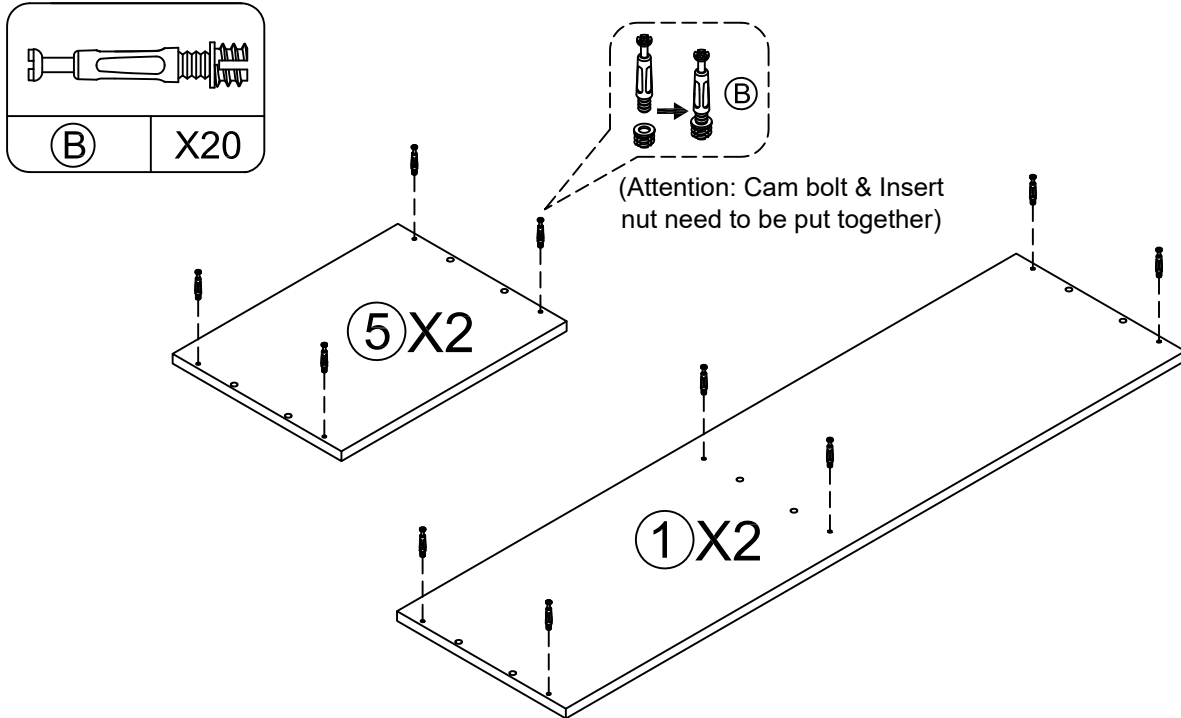
WOOD DOWEL
F8*30



PASTER

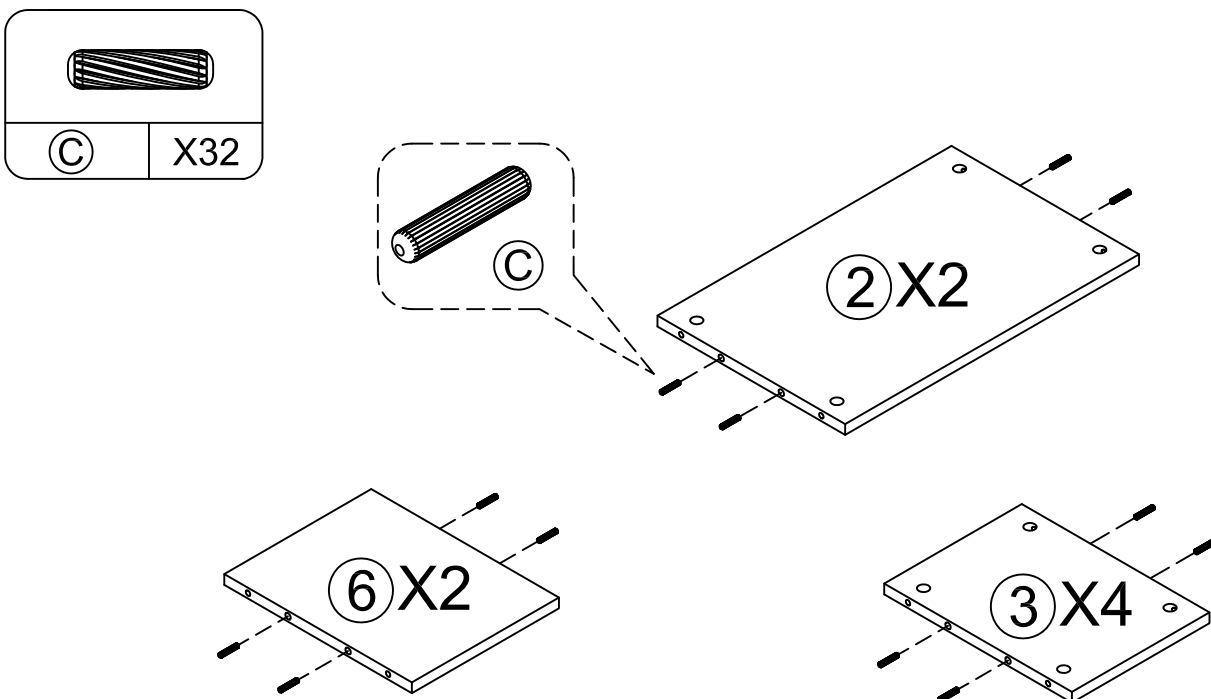
STEP 1

- Screw cam bolts (B) into panel (1) & (5) as below shown.



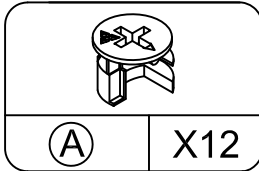
STEP 2

- Insert wood dowels (C) into panel (2) & (3) & (6) as shown in the picture.



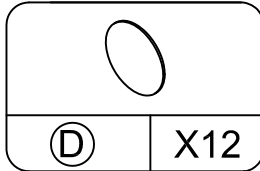
STEP 3

- Attach panel (2) & (3) to (1) with cam locks (A).



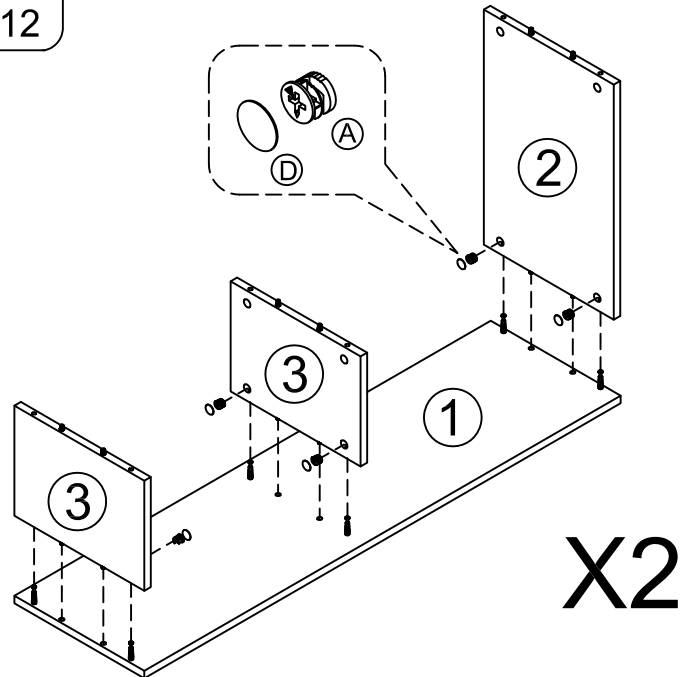
(A)

X12



(D)

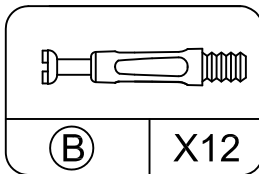
X12



X2

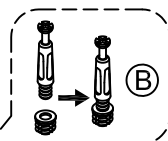
STEP 4

- Screw cam bolts (B) into panel (4) as below shown.

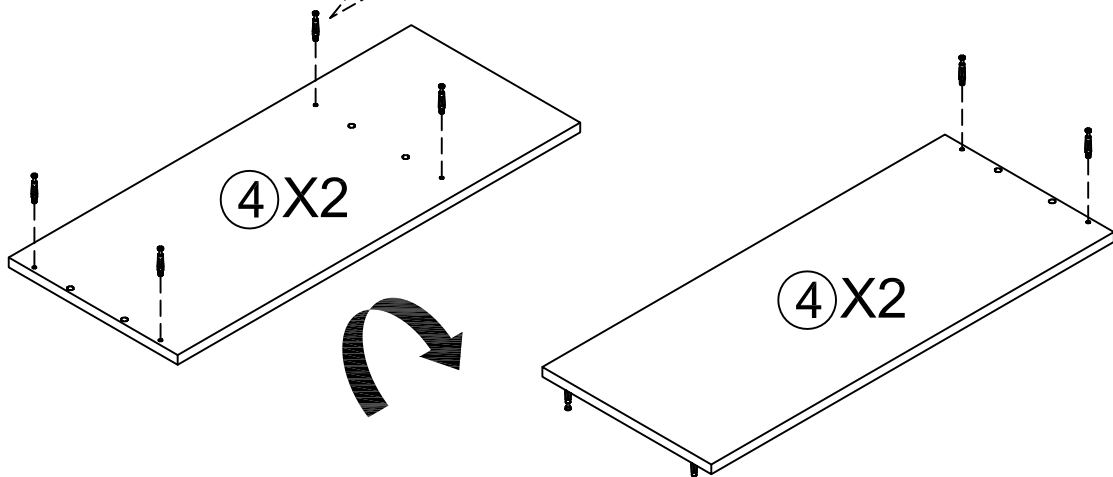


(B)

X12



(Attention: Cam bolt & Insert nut need to be put together)

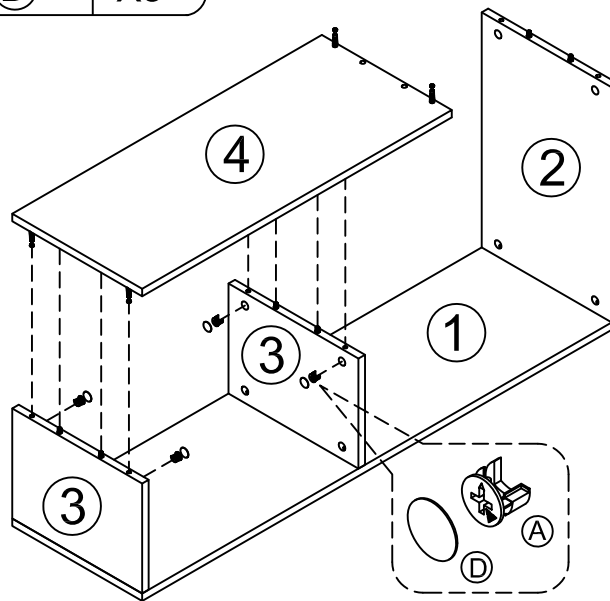
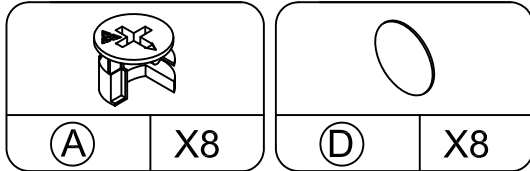


(4) X2

(4) X2

STEP 5

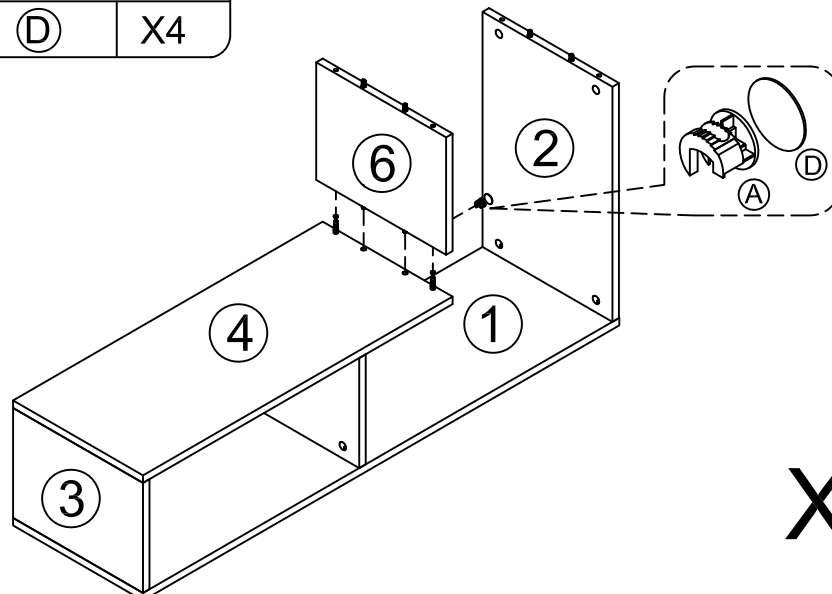
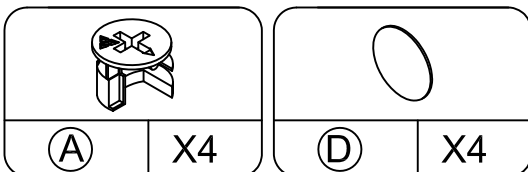
- Attach panel (4) to (3) with cam locks (A).



X2

STEP 6

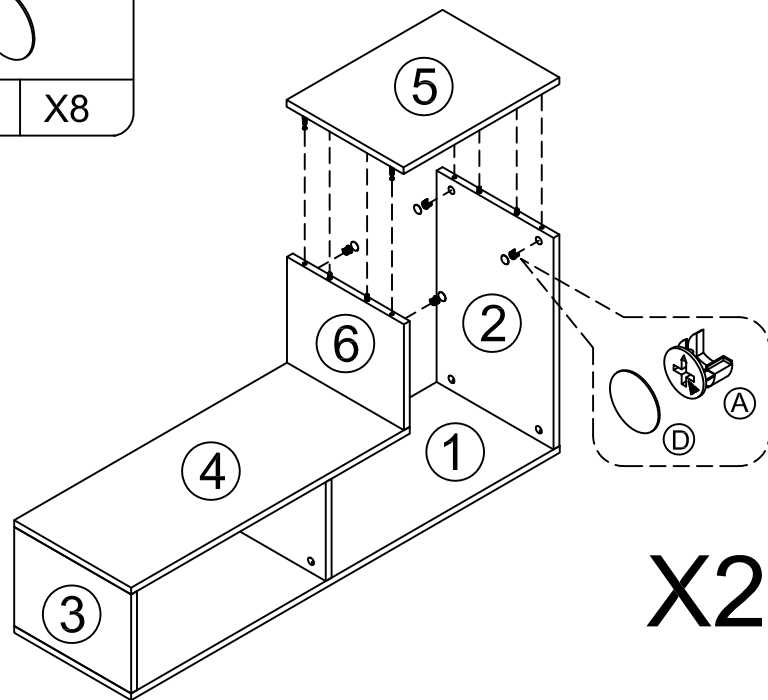
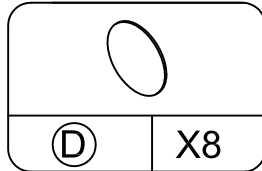
- Attach panel (6) to (4) with cam locks (A).



X2

STEP 7

- Attach panel (5) to (2) & (6) with cam locks (A).
- Assemble the other one in the same way



STEP 8

- Installation complete.

