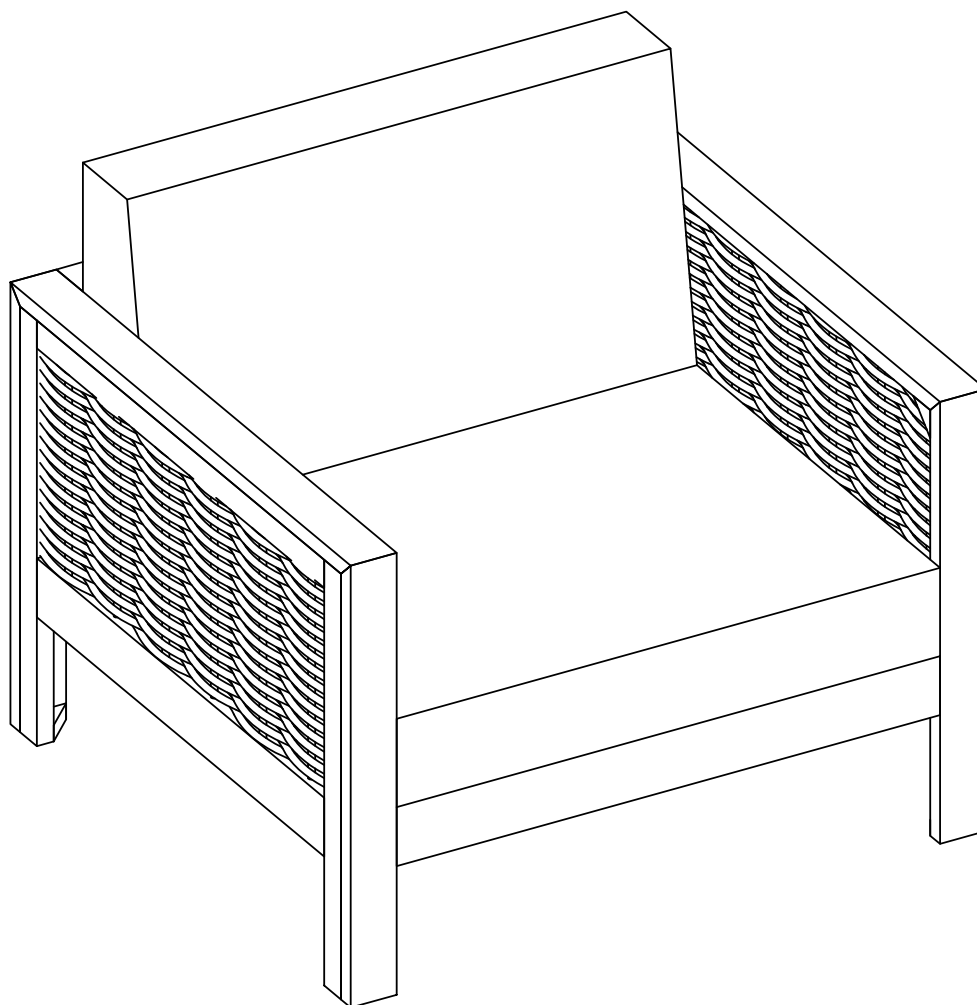


Assembly Instructions

CHAIR

CAUTION: You must read this before you proceed.

Please look underneath the seat panel for hardware packs.

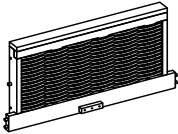
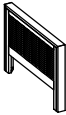
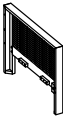
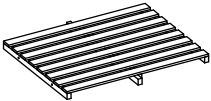

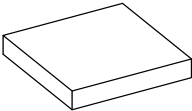
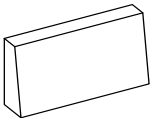


CAUTION : This Chair is NOT a TOY.




Keep your child / children at bay in the process of assembly.

For turning the Chair and to prevent damage to the Chair, 02 people may be needed to execute this action.

Parts List

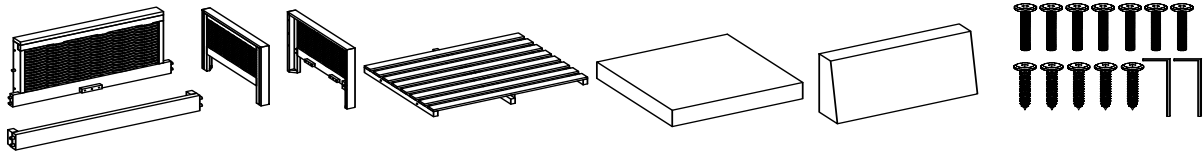
| No. | Picture | Description | Qty |
|----------|---|-----------------|-----|
| A |  | Backrest Panel | 1 |
| B |  | Left Arm Panel | 1 |
| C |  | Right Arm Panel | 1 |
| D |  | Seat Panel | 1 |
| E |  | Support Bar | 1 |
| F |  | Seat Cushion | 1 |
| G |  | Back Cushion | 1 |

Hardware

| Label | Picture | Description | QTY |
|-------|---|----------------------------|-----|
| ① |  | Bolt (M6 x 40mm) | 7 |
| ② |  | Srew (M6 x 40mm) | 5 |
| ③ |  | Allen Key 4 (30 x 80mm) | 2 |

Assembly Preparation

Before Beginning Assembly:



Read instructions, cover to cover.



Have 2 adults on hand for assembly.



Do not assemble on flooring or carpet.

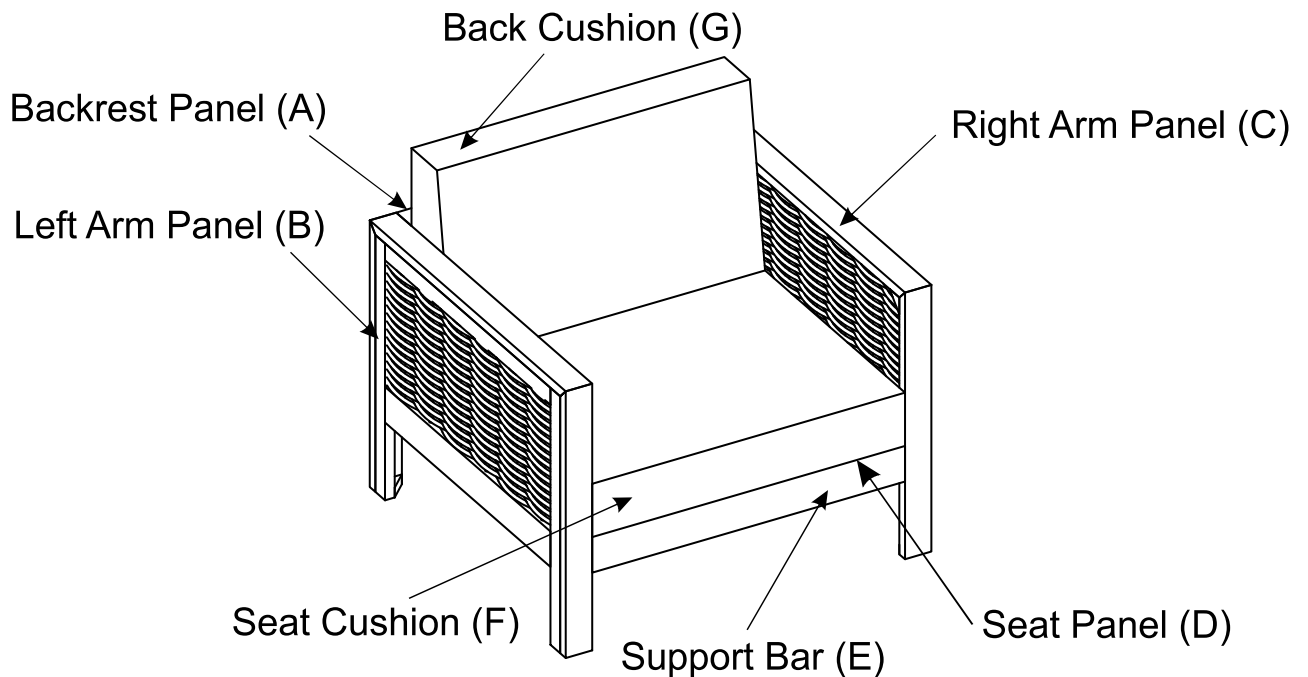


Assemble on a clean non-marring surface (packing foam).



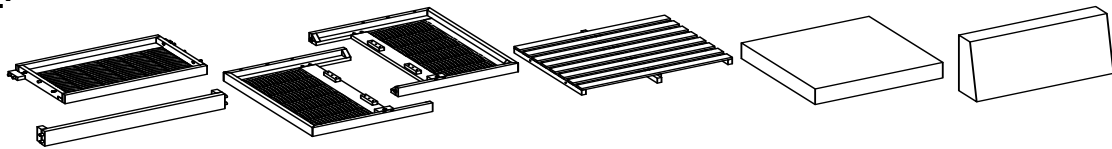
Save all packaging until finished.

Assembly Steps



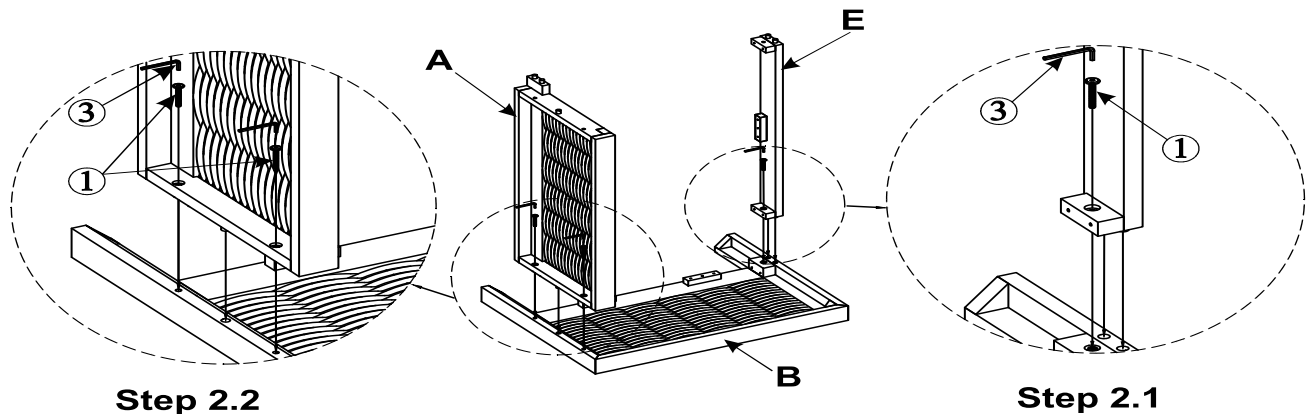
This Chair has multiple parts and may require up to 30 minutes to assemble. To give you an overview of the Chair parts, the above picture is to help you put the various parts into perspective. Please read through the instructions here below to familiarise yourself with the parts and steps before assembly.

Step 1



Unpack and place all parts on a clean, non-marring surface.

Step 2



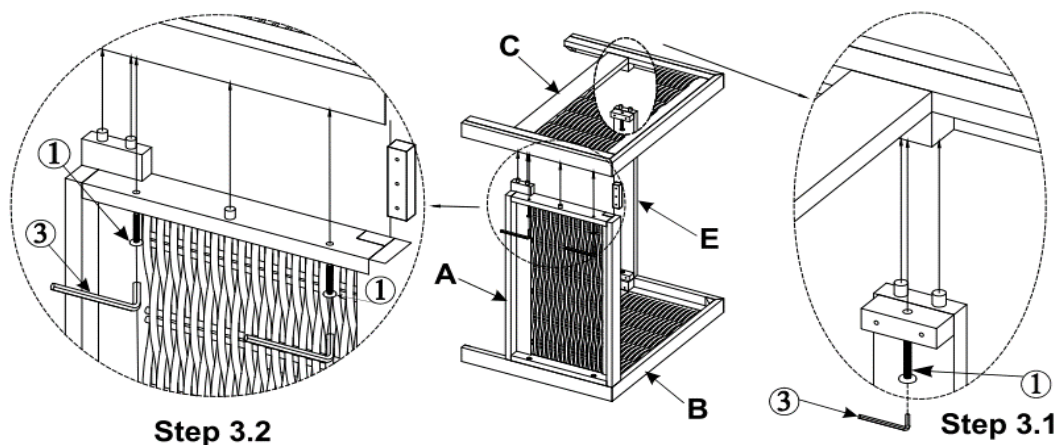
With the help of your adult partner, place the Left Arm Panel (B) with the inside facing skywards onto a clean, soft surface to void any scratches or damage to the product.

2.1: Align the dowels of the Support Bar (E) into the positions in the Left Arm Panel (B), secure by using Bolts (1) and the Allen Key (3) as show above.

2.2: Attach the Backrest Panel (A) onto the Left Arm Panel (B), secure by using Bolts (1) and the Allen Key (3) as show above.

Do not fully tighten the Bolts

Step 3



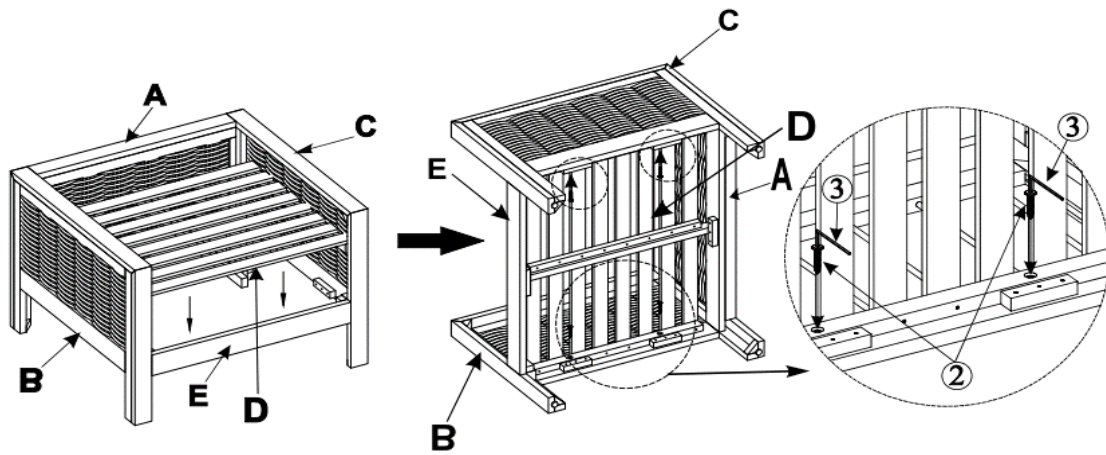
With the help of your adult partner, place the Right Arm Panel (C) onto the assembled frame from step 2, then:

3.1: Align the dowels of the Support Bar (E) into the positions in the Right Arm Panel (C). Then ,affix the Support Bar (E) to the Right Arm Panel (C) by using Bolts (1) and the Allen Key (3).

3.2: Attach the Right Arm Panel (C) onto the Backrest Panel (A) by using Bolts (1) and the Allen Key (3).

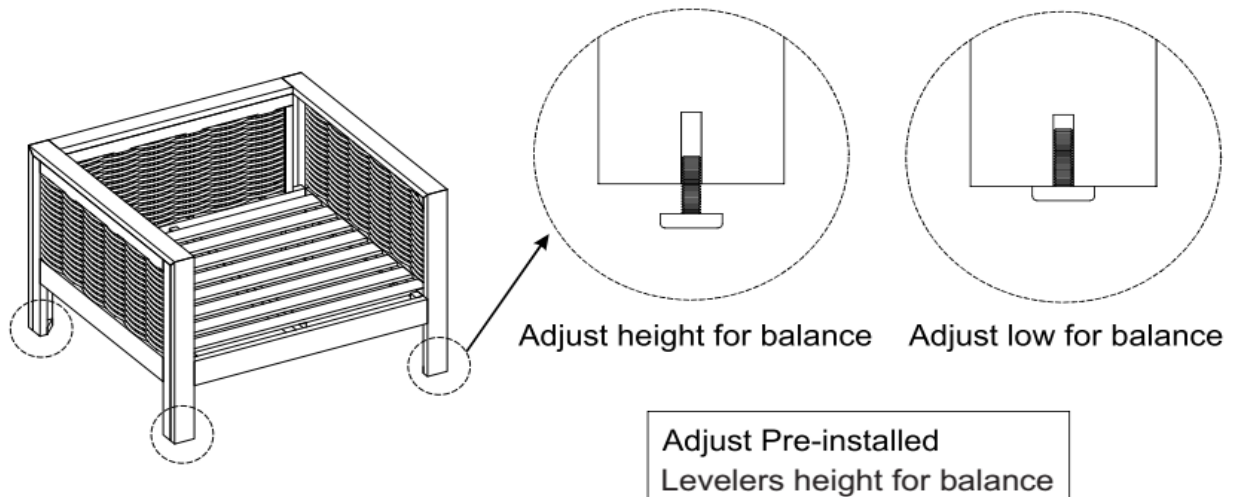
Do not fully tighten the Bolts

Step 4



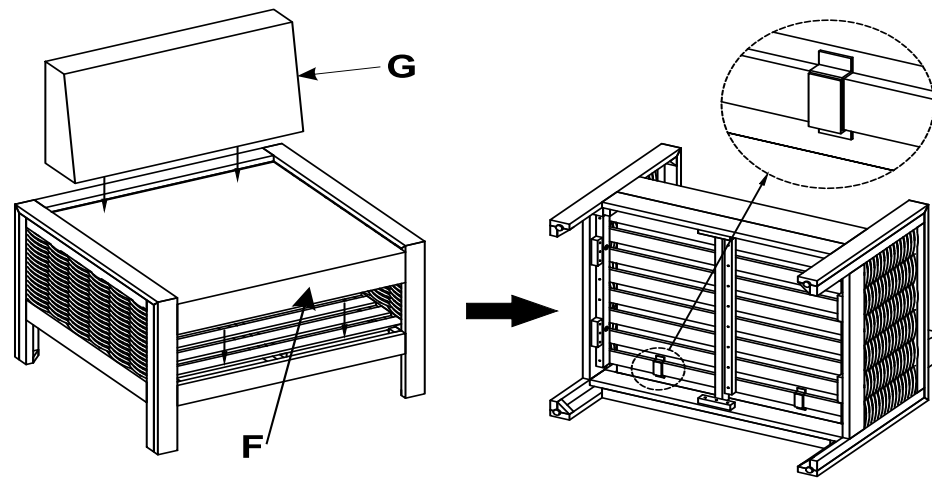
Attach the Seat Panel (D) onto the Chair as shown in the picture above.
Affix the Seat Panel (D) to the Chair by using the Screws (②) and the Allen Key (③).
Note: Using the Screws (②) from the inside to the outside of the Seat Panel (D).
Do not fully tighten Screws.

Step 5



Place the Chair onto a flat, level surface.
Then EXERT pressure, floorwards onto the Chair with both hands.
This pressure will help the Chair reach full alignment at all joints.
In a sequential manner, gradually tighten all Bolts and screws at all joints until evenly secured.
Inspect the chair and make sure all parts are adequately connected.
Adjust the Levelers until the Chair is level with the ground.
To adjust the Levelers, get assistance from an adult partner to lift/lean and hold the Chair while you are working


















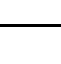
Step 6



With the help of your adult partner, turn the Chair right side up.
Place the Seat Cushion (F) and the Back Cushion (G) on the Seat Panel (D).
Tie the velcro straps on the Seat Cushion (F) to the Seat Panel (D) as shown above
Inspect it and make sure all parts are adequately connected.
Ensure all screws and bolts are fully locked into position and secured.
The Chair is ready to be used.

Caution: This Chair can only be used on a flat, level surface.

Care & Maintenance

-   ● Do not put hot items directly on furniture surface
-   ● Do not clean furniture with harsh cleansers or polish.
-   ● To obtain the longest lifespan of your outdoor products, minimizing exposure to direct sunlight is recommended.
-   ● Children should not climb or jump on the furniture.
-   ● Do not write on furniture without a padded barrier to protect the surface.
-   ● To obtain the longest lifespan of your outdoor products, avoid extended and lengthy exposure to rain, snow, and direct sunshine. Whenever possible cover the product and /or place under patio or awnings.
-   ● Not for commercial use. For residential use only .
-   ● Stains may be removed with mild soap solution and damp cloth.
-   ● Dust and pick-up spills using a clean, non-colored, lint-free cloth.