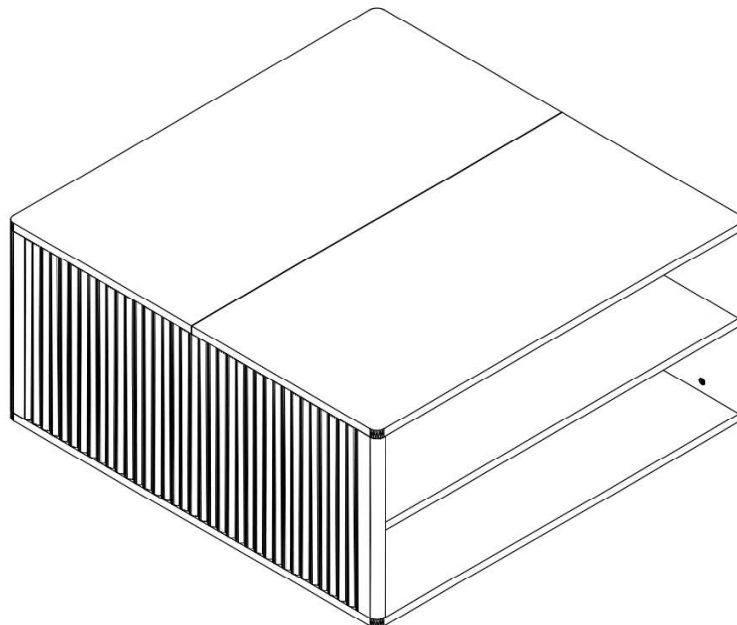
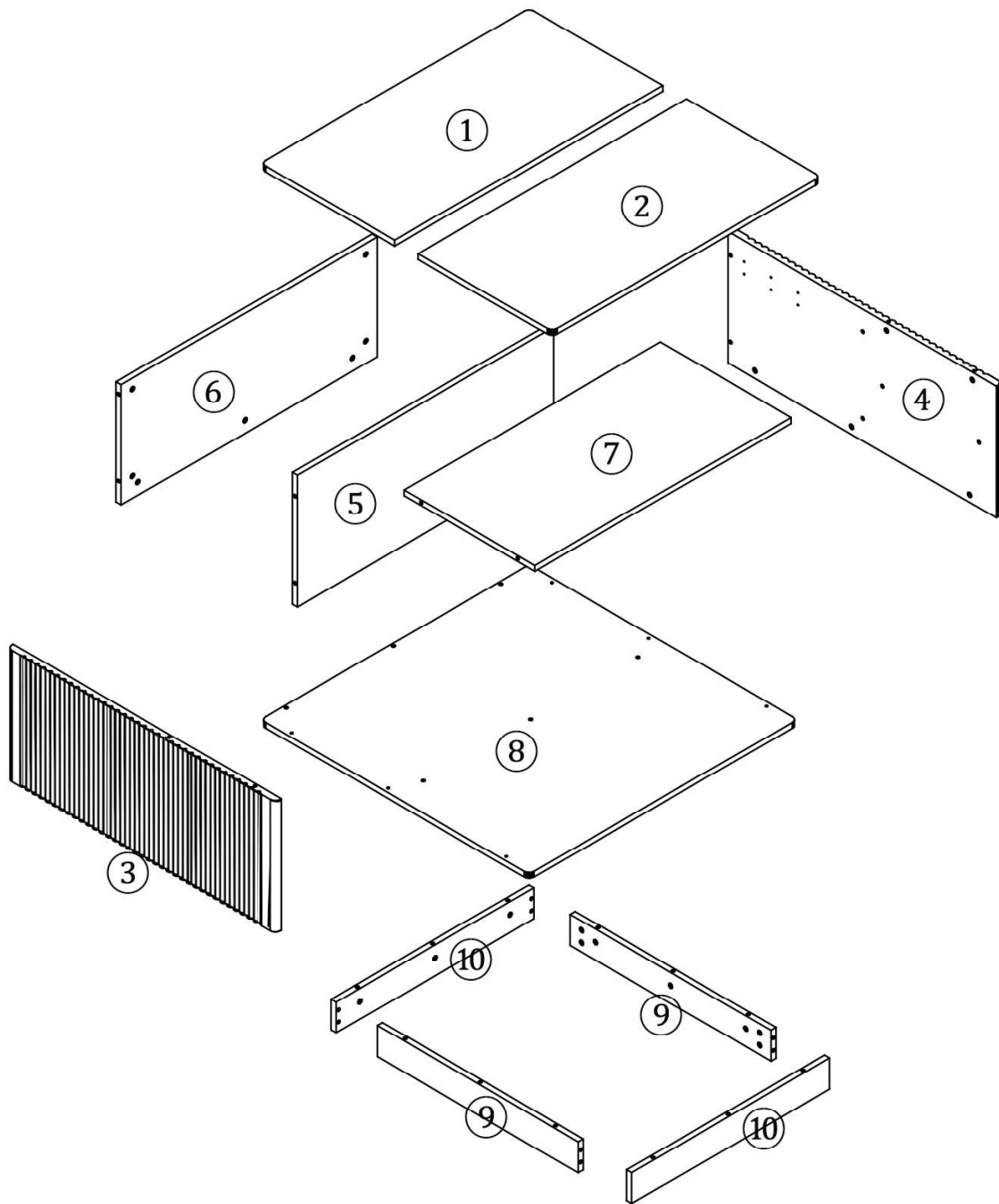







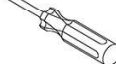


# ASSEMBLY INSTRUCTION

- Read the assembly instructions carefully before beginning assembly.
- Ensure the safety of the glass during assembly.
- Do not over tighten the screws and bolts as this may damage the threads.
- Insert the screw into the hole as shown in the figure, follow the arrow in the picture, and then rotate 90° or 180° clockwise.
- Keep the small accessories in the accessory bag away from children.
- The remaining parts are spare parts.
- Kind tips: when installing the white backboard, install the white side inward.
- The operating instruction of RGB light is included in the package. Read it carefully when assembling .



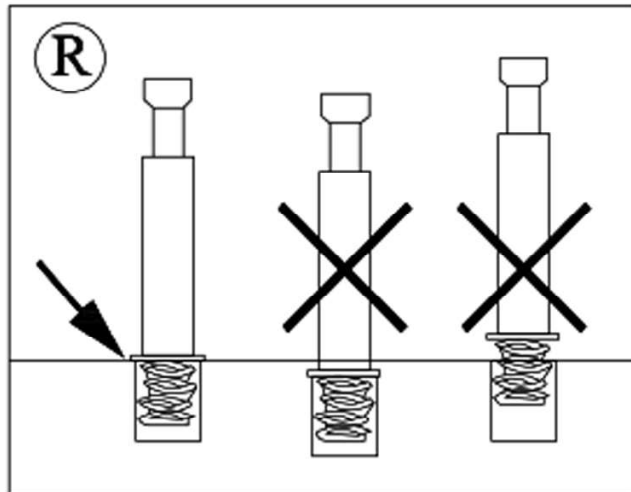
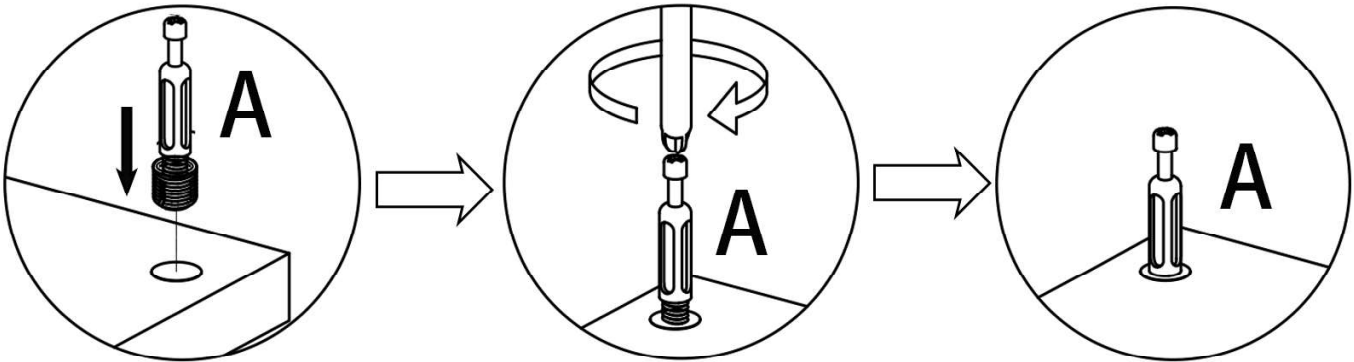


<b>A</b>  38pcs	<b>B</b>  38pcs	<b>A1</b>  10pcs	<b>B1</b>  10pcs	<b>C4</b>  3.5*14 18pcs	<b>S2</b>  2pcs	<b>AM</b>  Decorative paper 20pcs	<b>AG</b>  1pcs	



## Hardware installation demonstration

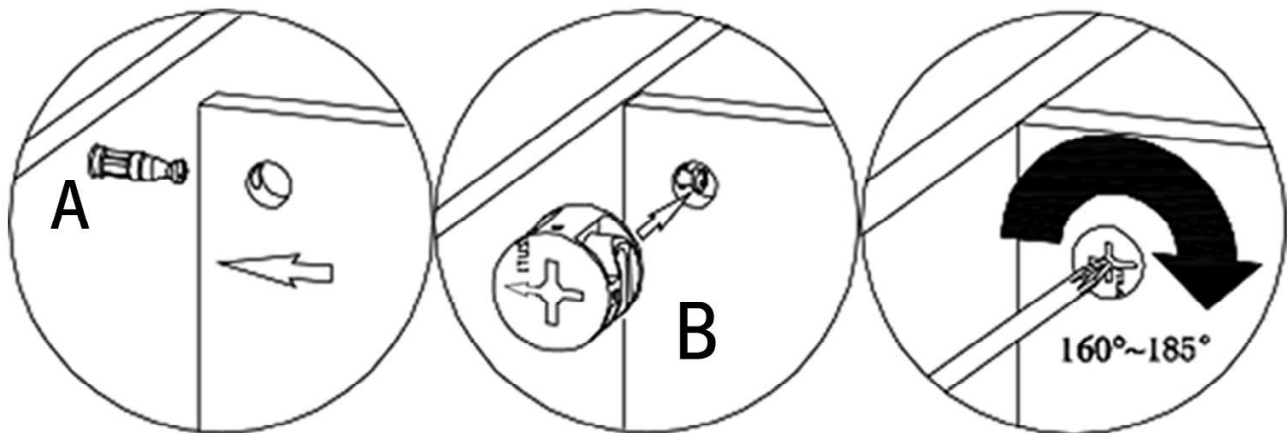
- Please make sure "A" hardware tightened and can't be pulled out





## Hardware installation demonstration

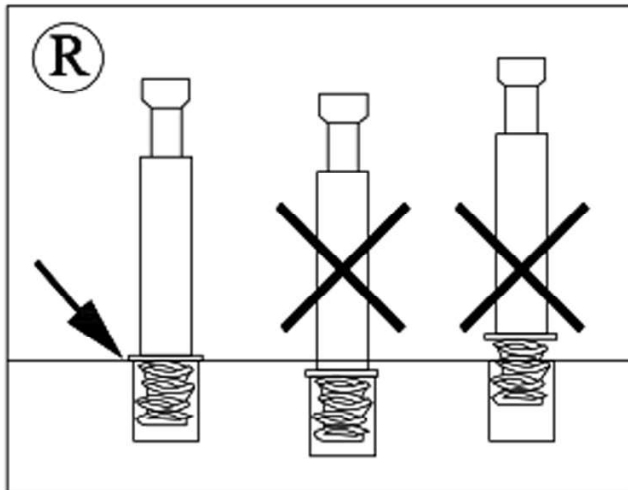
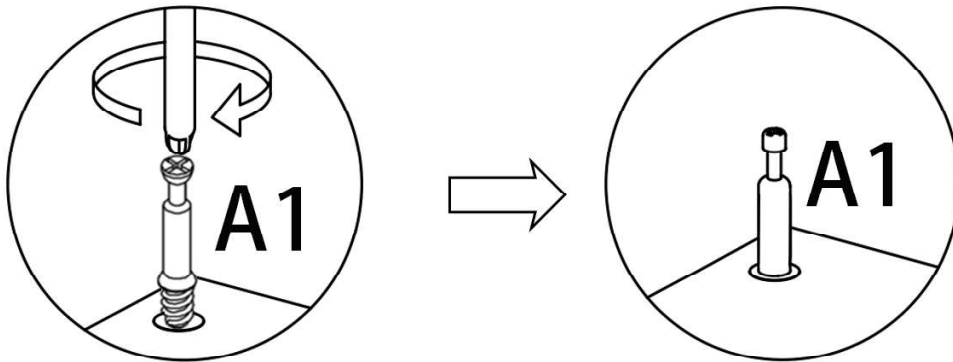
- When inserting cam ensure arrowhead on cam points toward to the hole on the panel edge





## Hardware installation demonstration

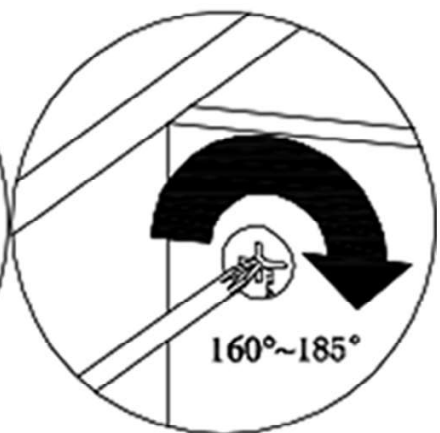
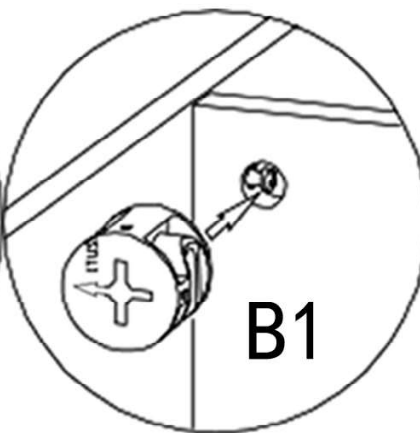
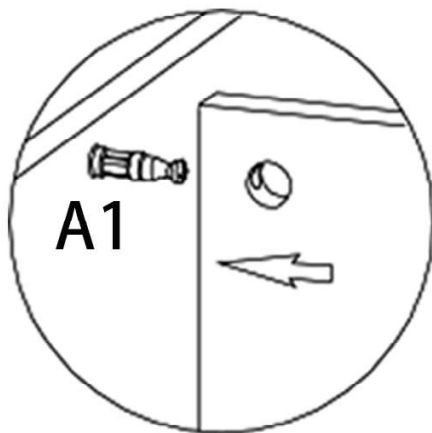
- Please make sure "A" hardware tightened and can't be pulled out



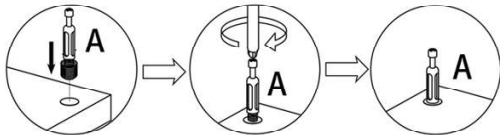
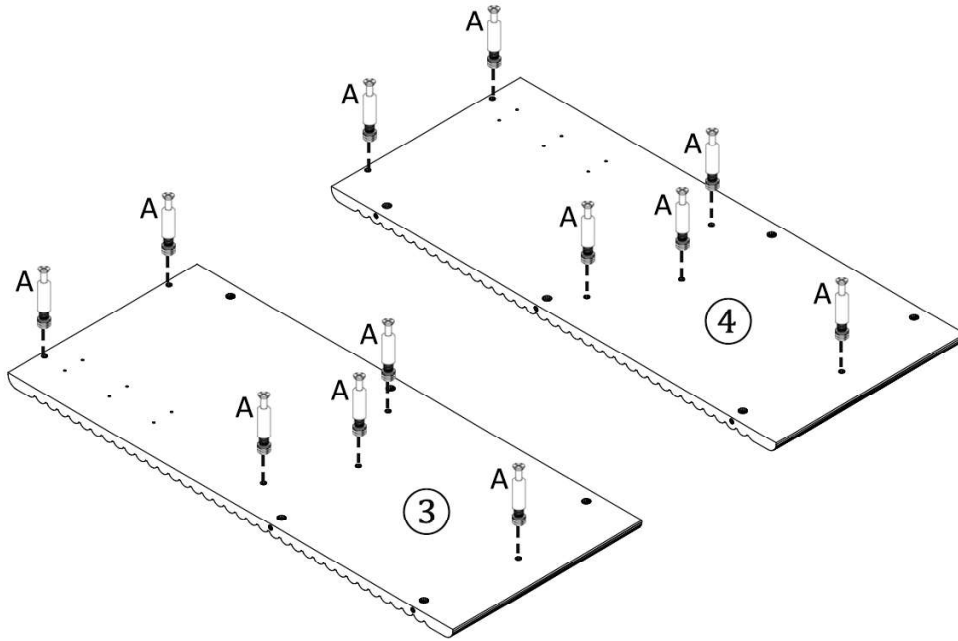


## Hardware installation demonstration

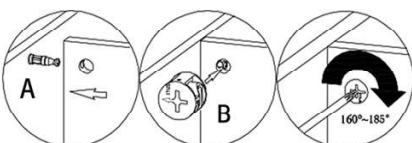
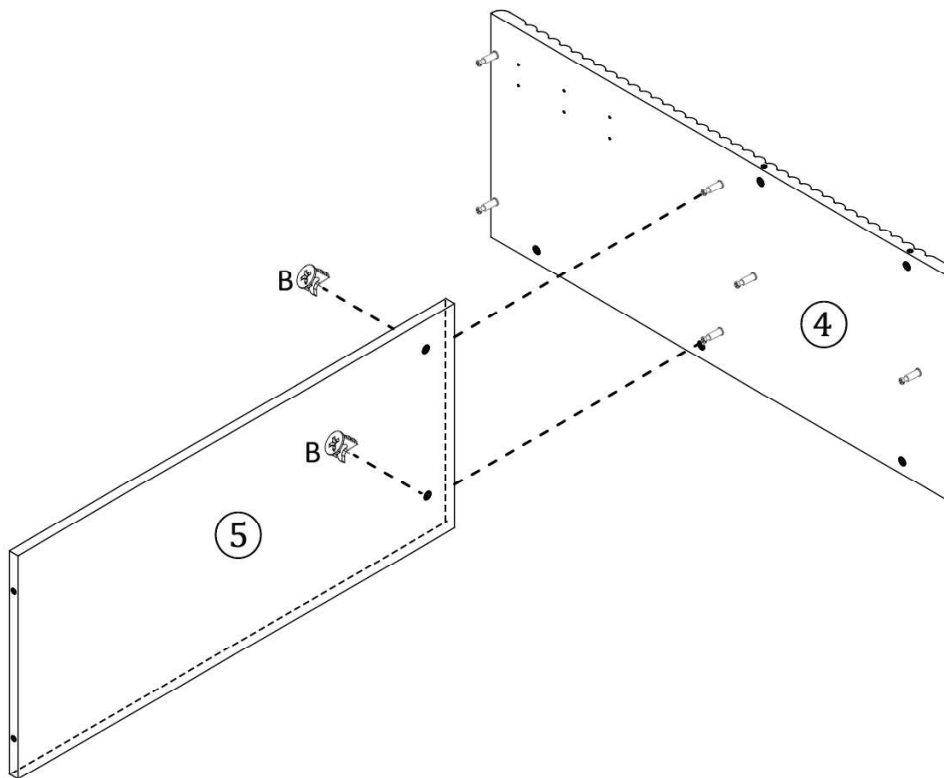
- When inserting cam ensure arrowhead on cam points toward to the hole on the panel edge



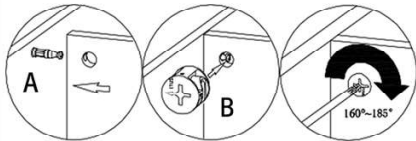
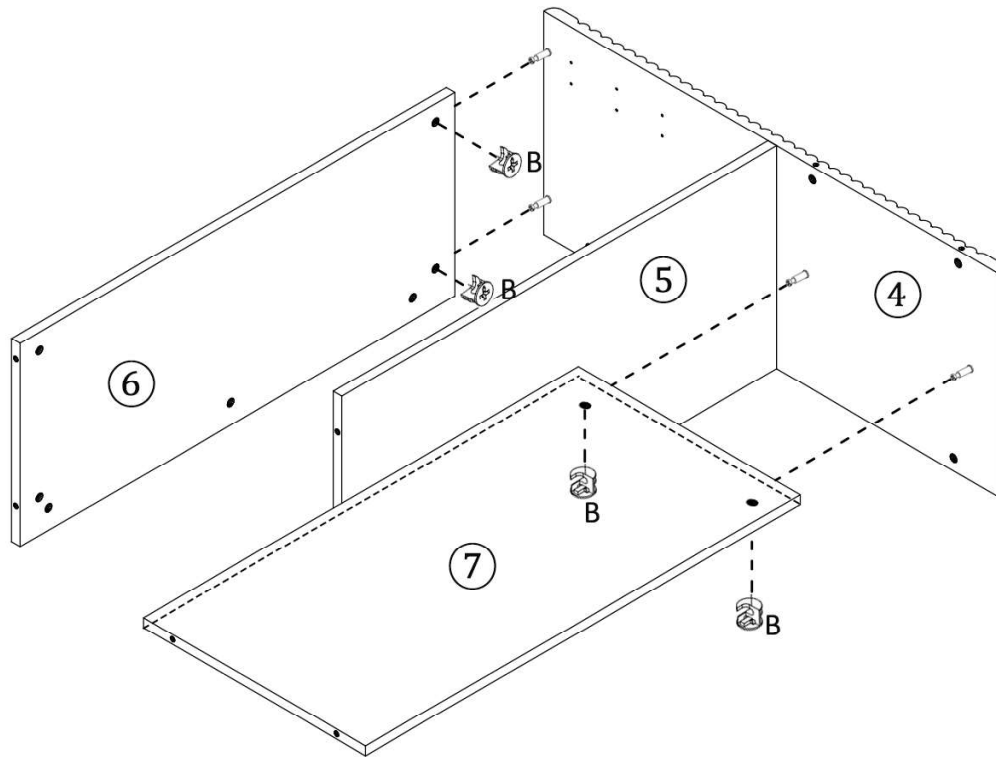
# STEP 1



# STEP 2

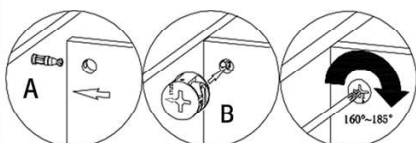
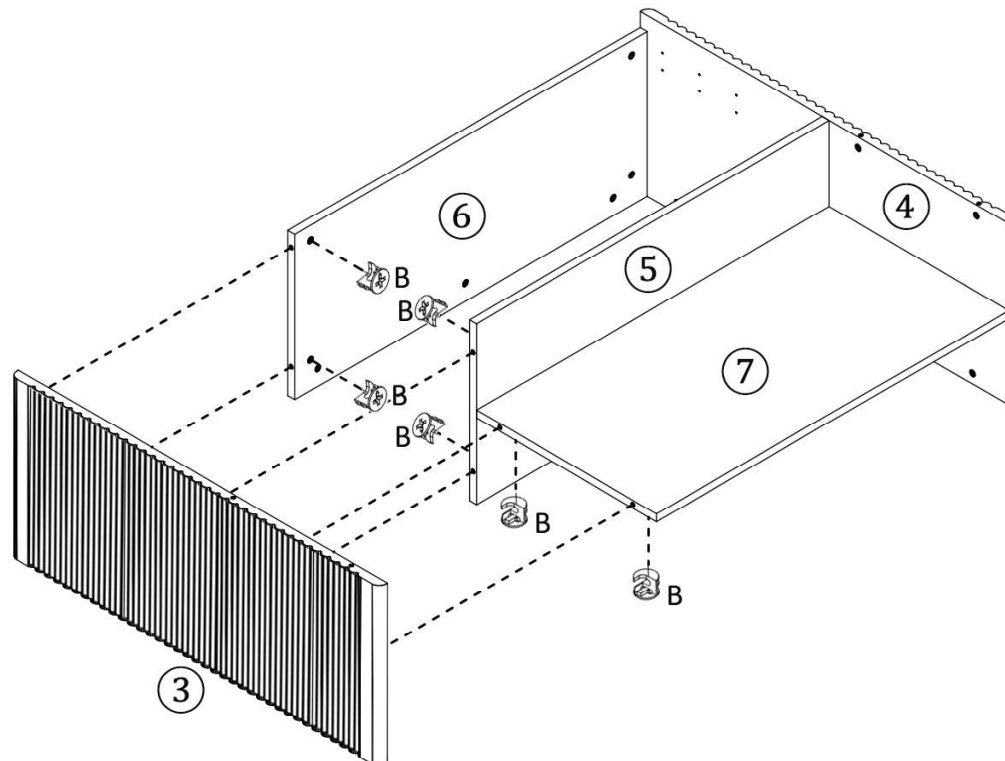


# STEP 3



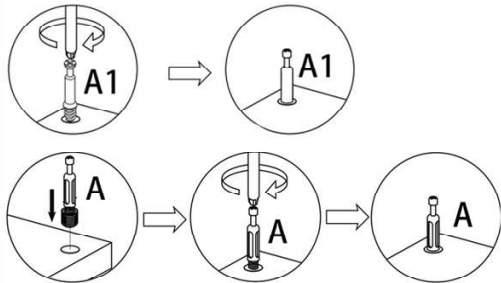
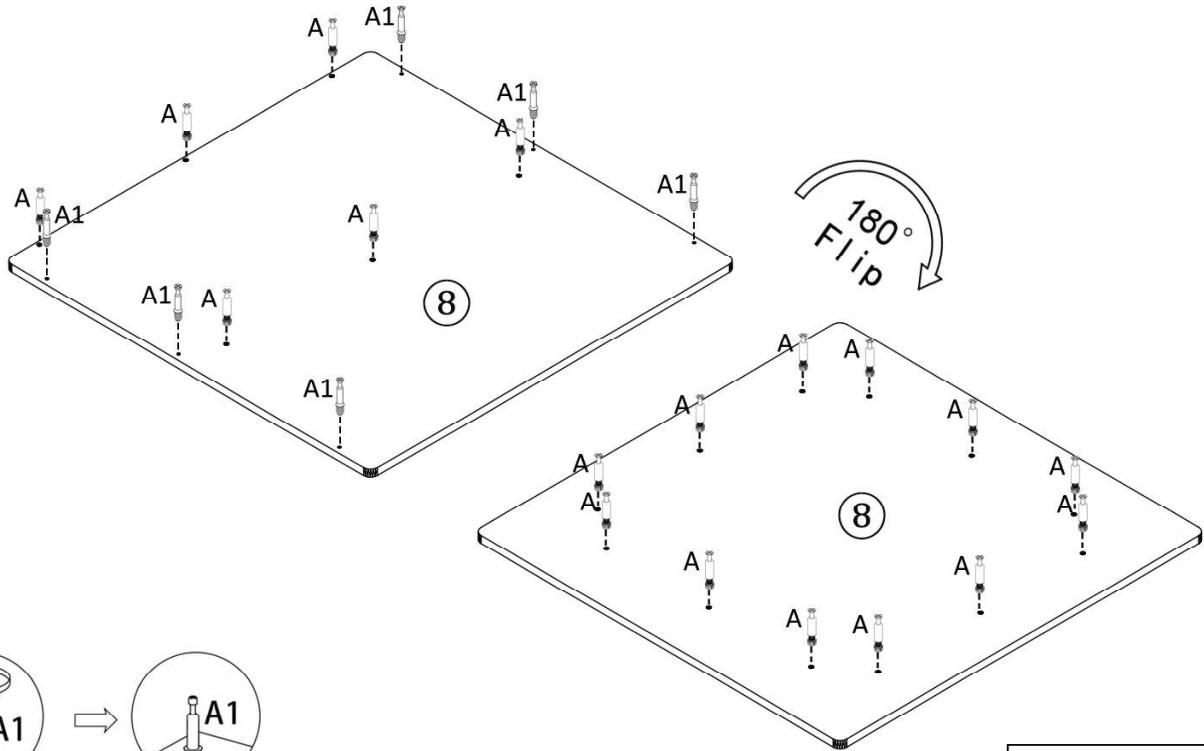
B\*4

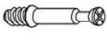

# STEP 4



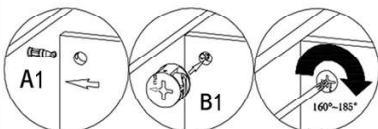
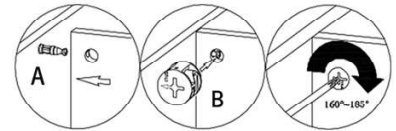
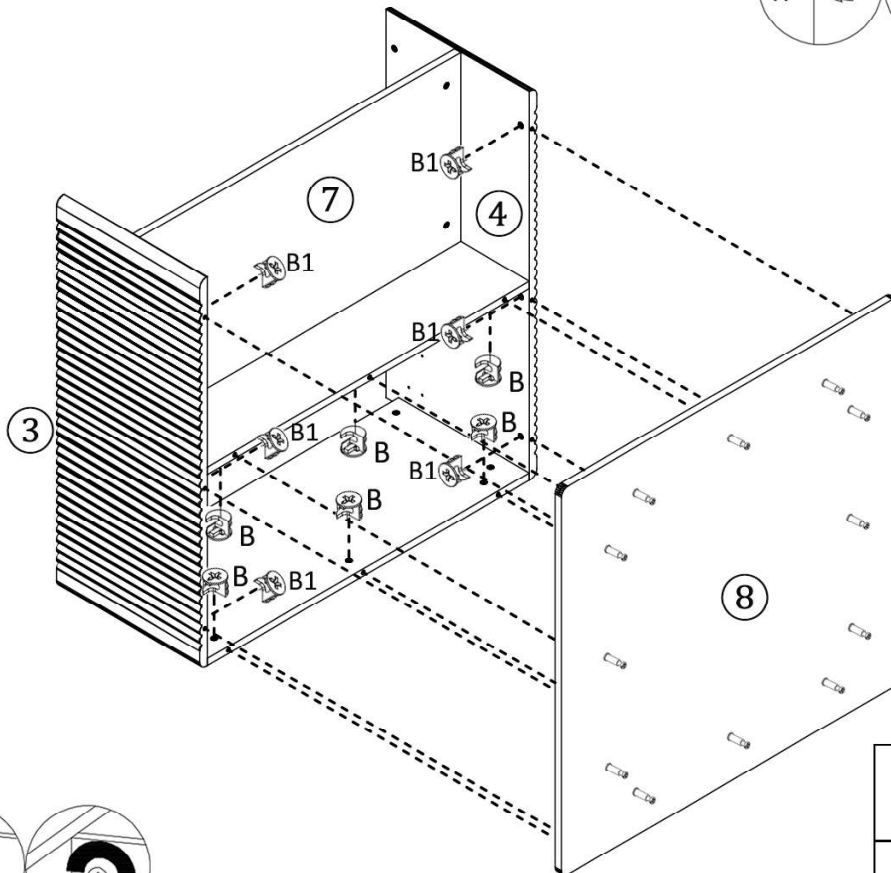
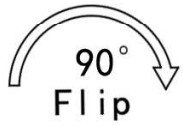
B\*6

# STEP 5



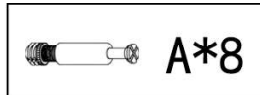
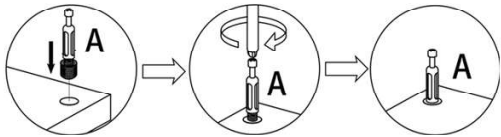
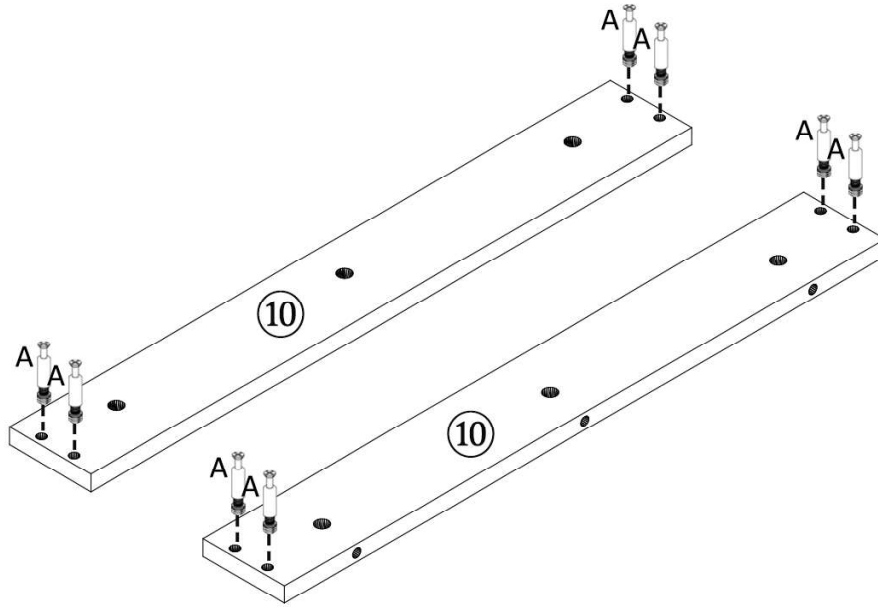
-  A1\*6
-  A\*18

# STEP 6

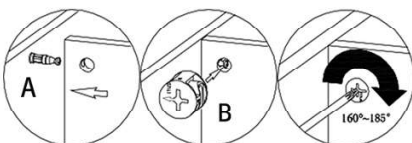
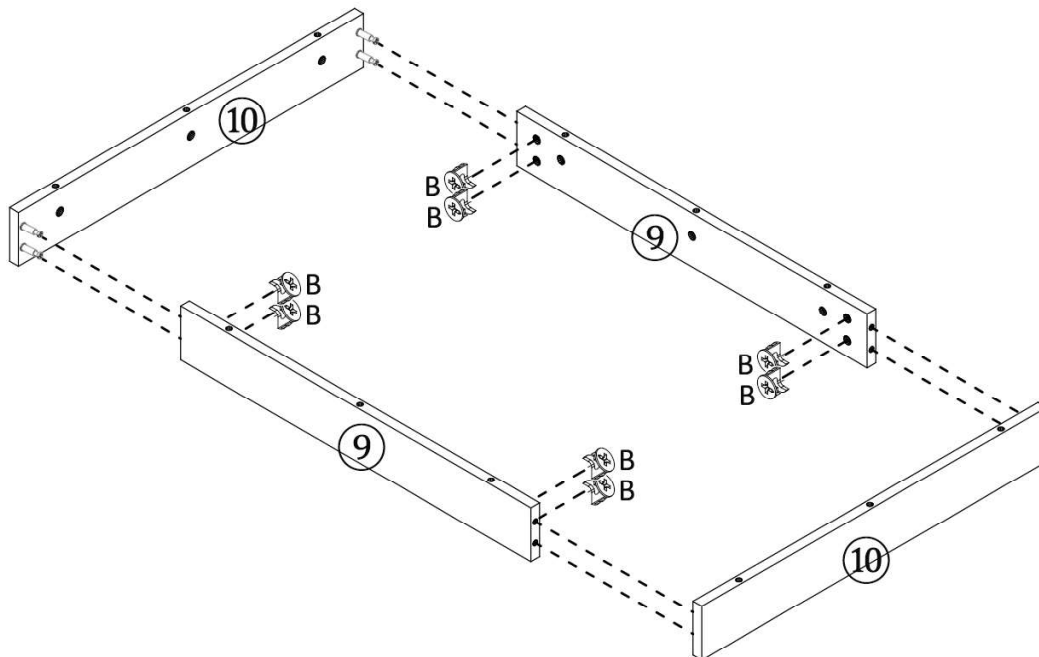


-  B1\*6
-  B\*6

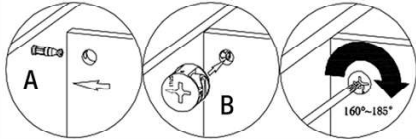
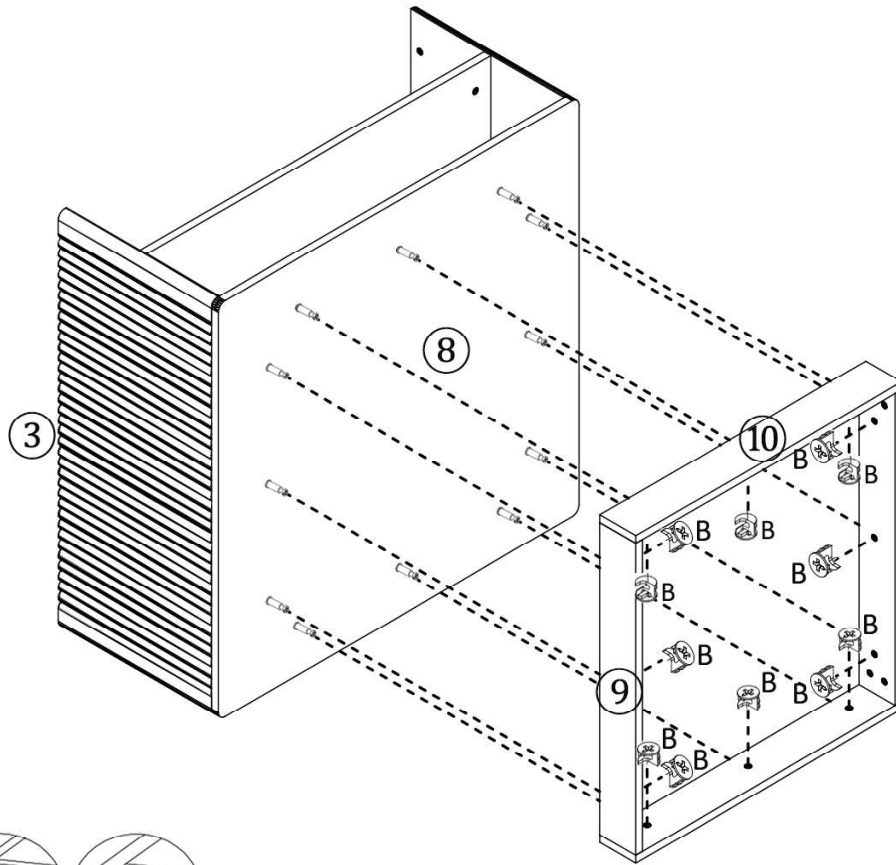
# STEP 7



# STEP 8

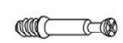
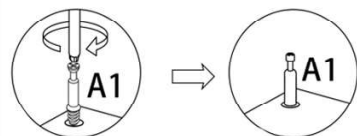
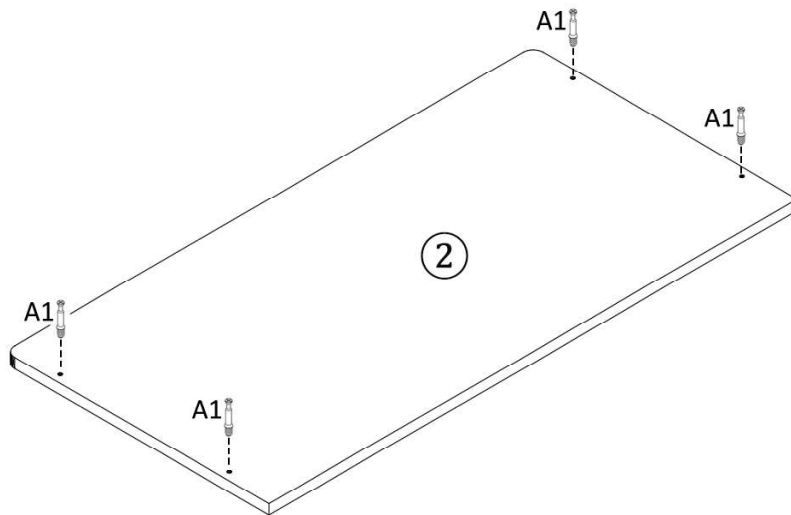


# STEP 9



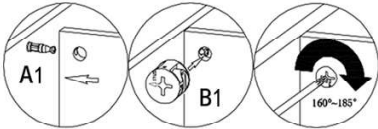
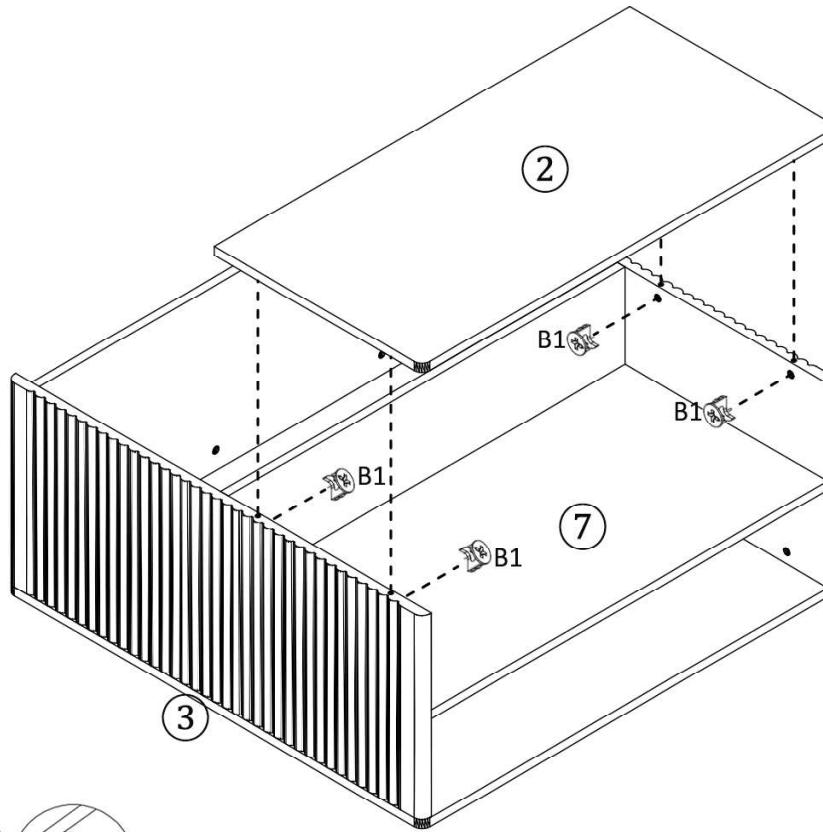
B\*12

# STEP 10



A1\*4

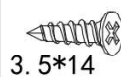
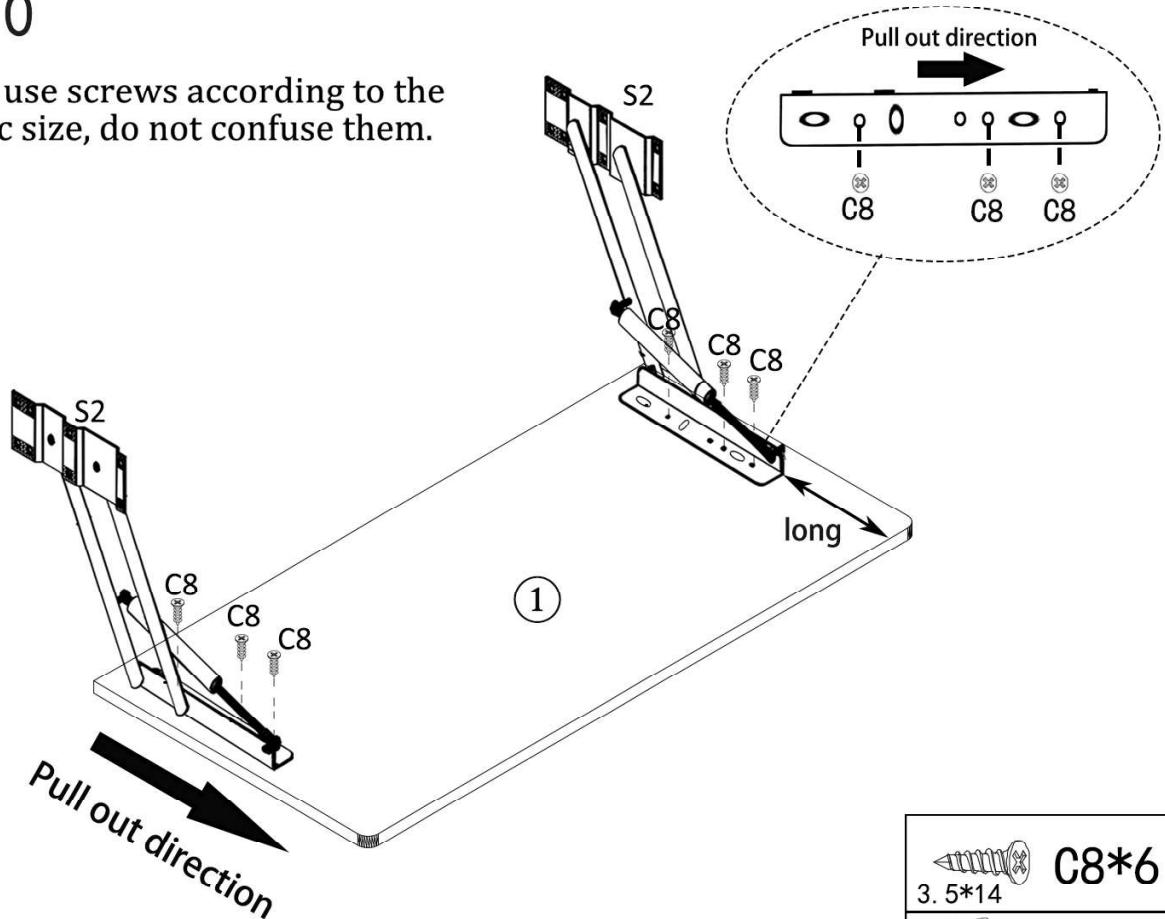
# STEP 9



B1\*4

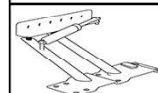
# STEP 10

⚠ Please use screws according to the specific size, do not confuse them.



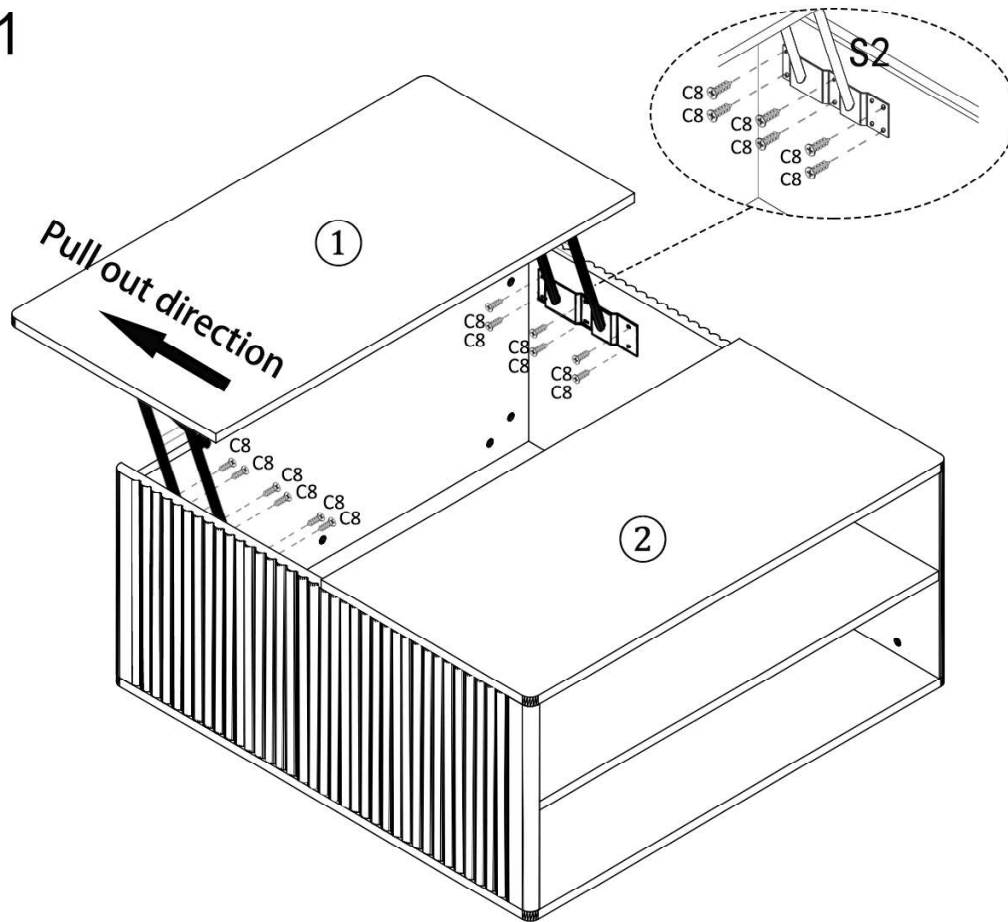
C8\*6

3.5\*14



S2\*2

# STEP 11

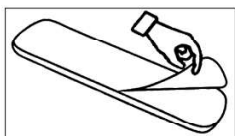
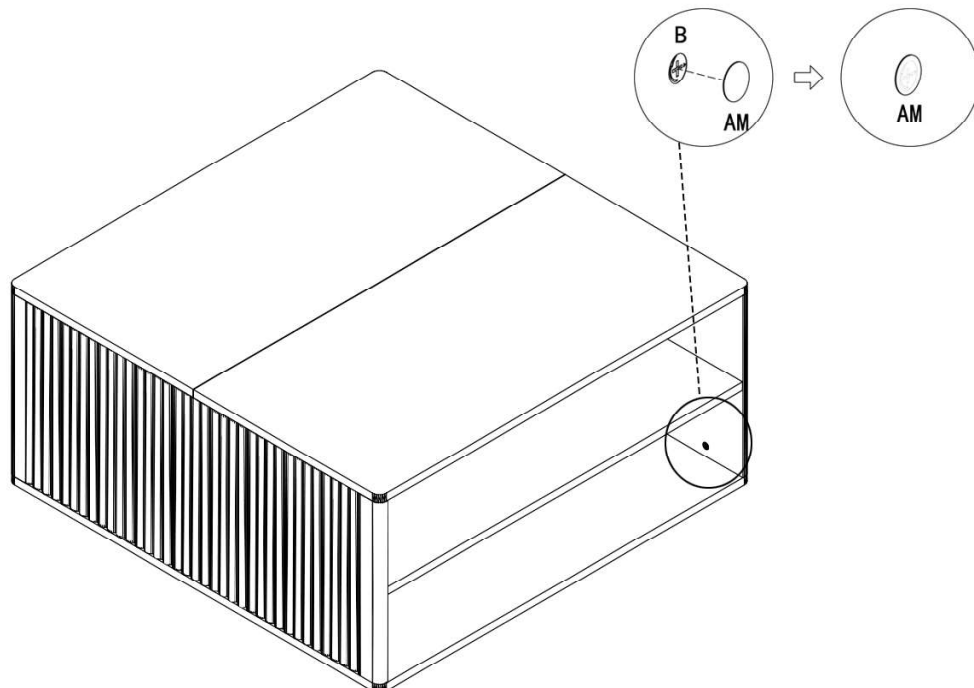


⚠ Please use screws according to the specific size, do not confuse them.



# STEP 12

Please stick the decorative paper on the hole



For the high gloss panel,  
please peel off the plastic  
film after assembling

