

GV-680-19mm

Red, Black and Gold Glass Vessel Sink

Sink Dimensions

Dimensions: Ø17" x 6"

Features

- Solid Tempered Glass
- Vessel Sink
- 19mm Thickness
- 1 3/4" Drain Hole Size
- Without Overflow

CODES/STANDARDS:

Product Certification

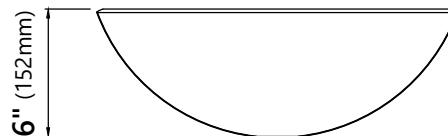
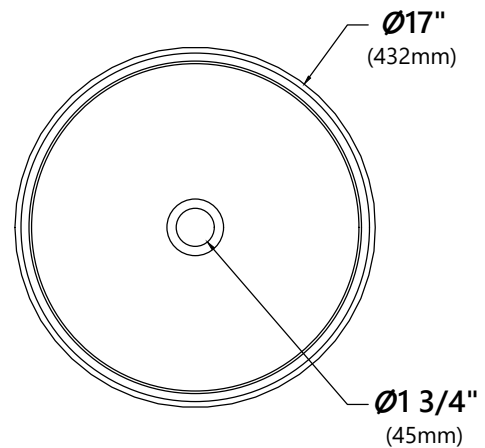
cUPC certified, MASS Approved, ADA compliant



Warranty

Kraus Limited Lifetime Warranty

see website for details www.kraususa.com



GD

Waterfall Faucet Glass Disk

Glass Disk Dimensions

Overall Dimensions: $\varnothing 7 \frac{1}{4}''$ x $1 \frac{1}{8}''$

Features

- Tempered Glass Construction
- For Use with KGW-1700 Waterfall Faucet

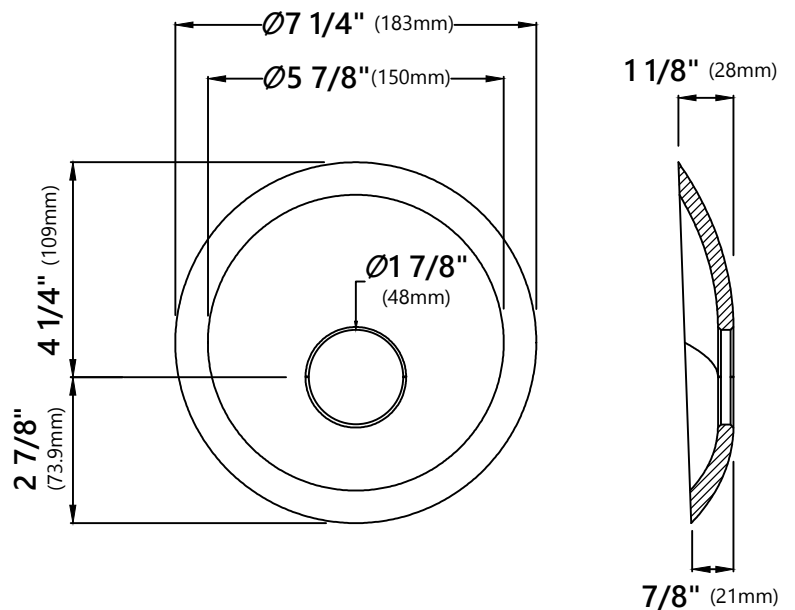
Available Colors

- Clear
- Frosted
- Clear Brown
- Clear Black
- Clear Red
- Green
- Blue
- Copper
- Brown



Warranty

Kraus Limited Lifetime Warranty
see website for details www.kraususa.com



PU-10

Pop Up Drain w/o Overflow

Pop Up Dimensions

Dimensions: 8 5/8" x Ø2 5/8"

Features

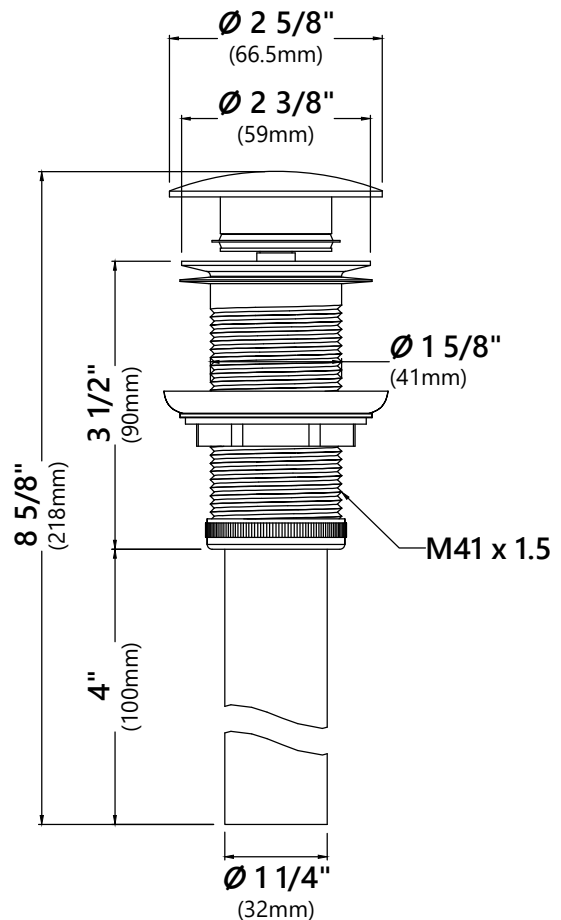
- Metal Construction
- Connection 1 1/4"
- Designed to Use w/ Above-Counter Vessel Sinks without overflow
- Fits Standard 1 3/4" Drain Opening

Available Colors

- Satin Nickel
- Gold
- Oil Rubbed Bronze
- Chrome
- Brushed Gold
- Matte Black
- Spot Free Stainless Steel

CODES/STANDARDS:

Product Certification
cUPC



Warranty

Kraus 1 Year Limited Warranty

see website for details www.kraususa.com

MR-1 Mounting Ring

Mounting Ring Dimensions

Overall Dimensions: $\text{Ø}3\ 1/8"$ x $3/8"$

Features

- Brass Construction
- Designed to Use with Above Counter Vessel Sinks without Overflow
- Fits Standard Drain Assembly without Overflow

Available Finishes

- Chrome
- Gold
- Oil Rubbed Bronze
- Satin Nickel



Warranty

Kraus 1 Year Limited Warranty

see website for details www.kraususa.com

