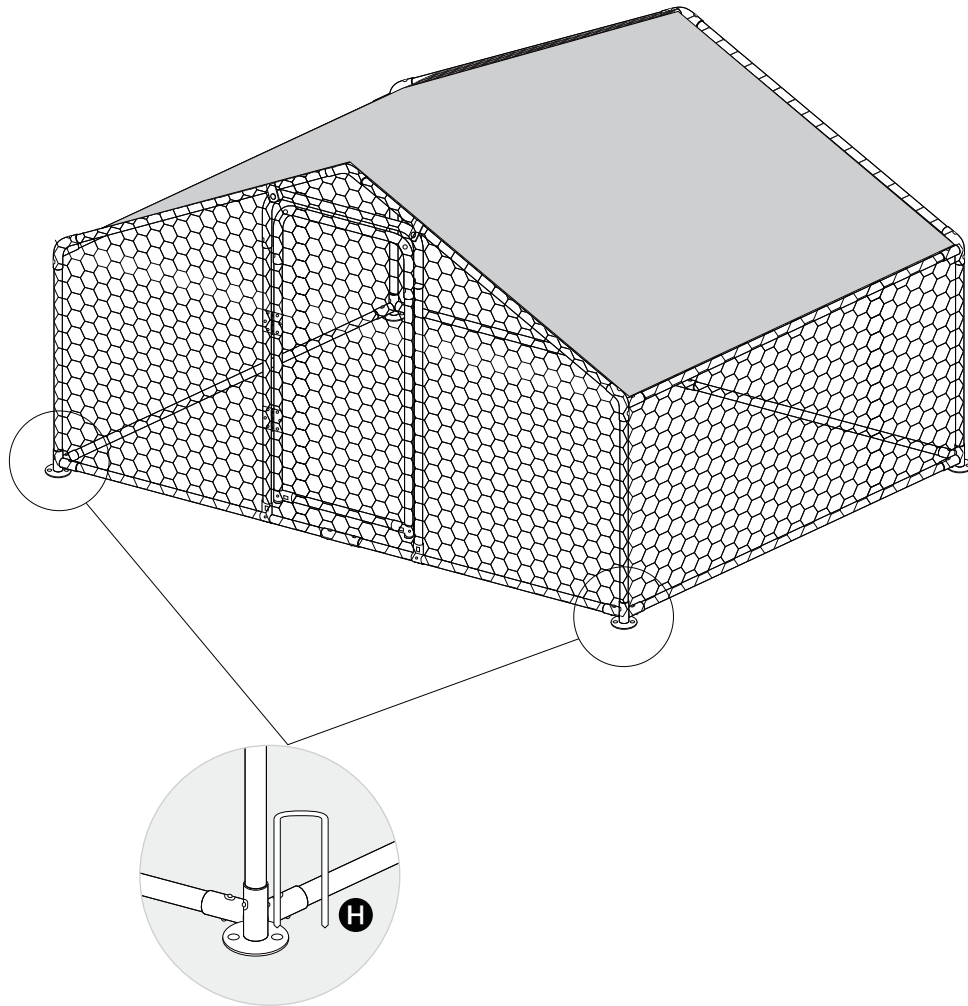
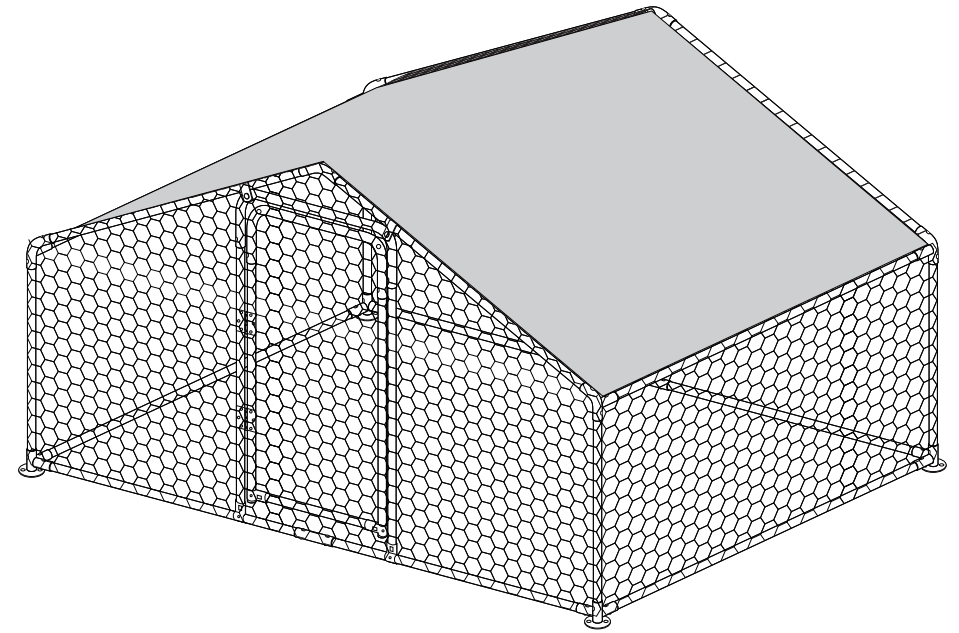


Step 11





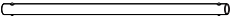



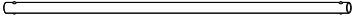
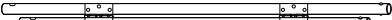
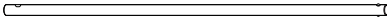

Metal Walk-in Chicken Coop Run

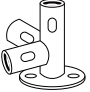

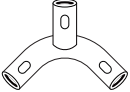

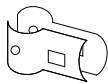







Instruction manual
For specification: 2m(L) x 3m(W) x 2m(H)



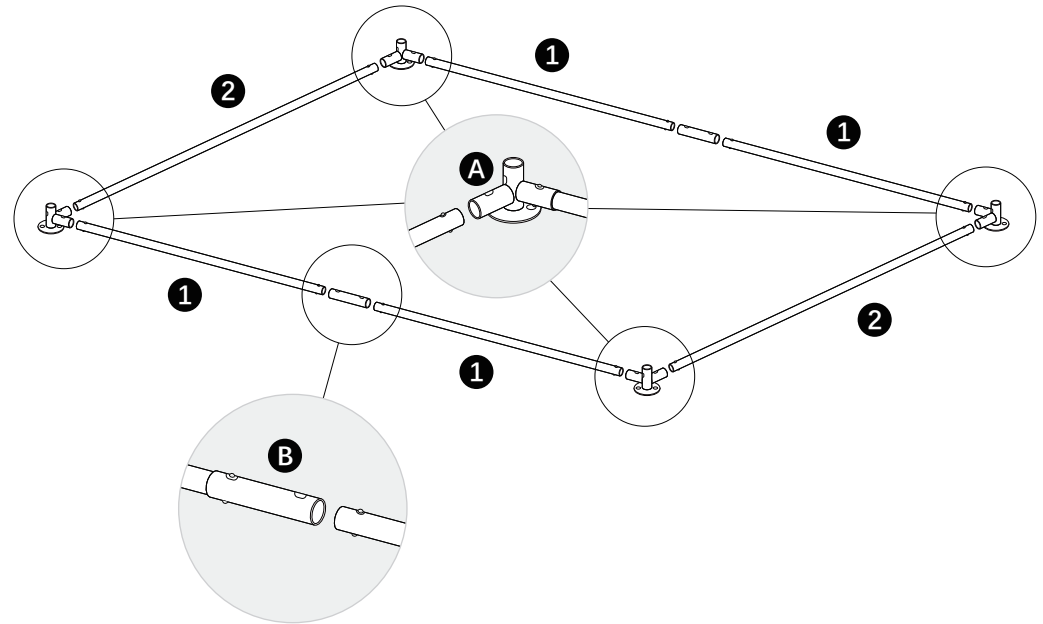
Please read this manual carefully before assembly

Part List

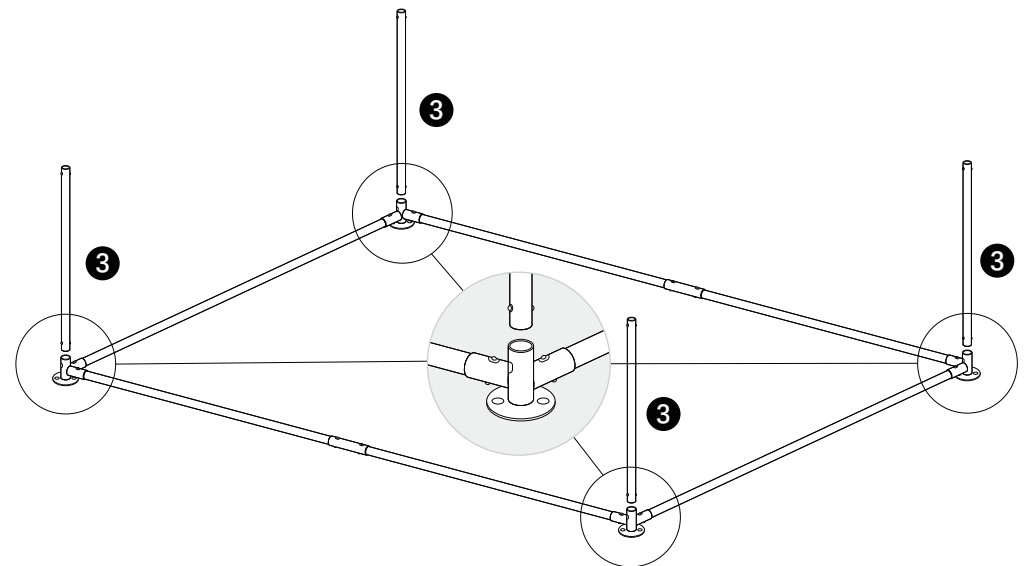
 1 x4pcs 1410mm	 2 x5pcs 1870mm
 3 x4pcs 970mm	  4 x1pcs 575mm 5 x1pcs 510mm
 6 x1pcs 510mm	 7 x4pcs 1480mm
 D1 x1pcs 1660mm	 D2 x1pcs 1480mm
 D3 x1pcs 1660mm	

 A x4pcs	 B x2pcs	 C x6pcs	 D x2pcs	 E x4pcs
 F 24m x1	 G x1pcs	 H x6pcs	 I xn pcs	 J xn pcs
 M1 x6pcs	 M2 x4pcs			

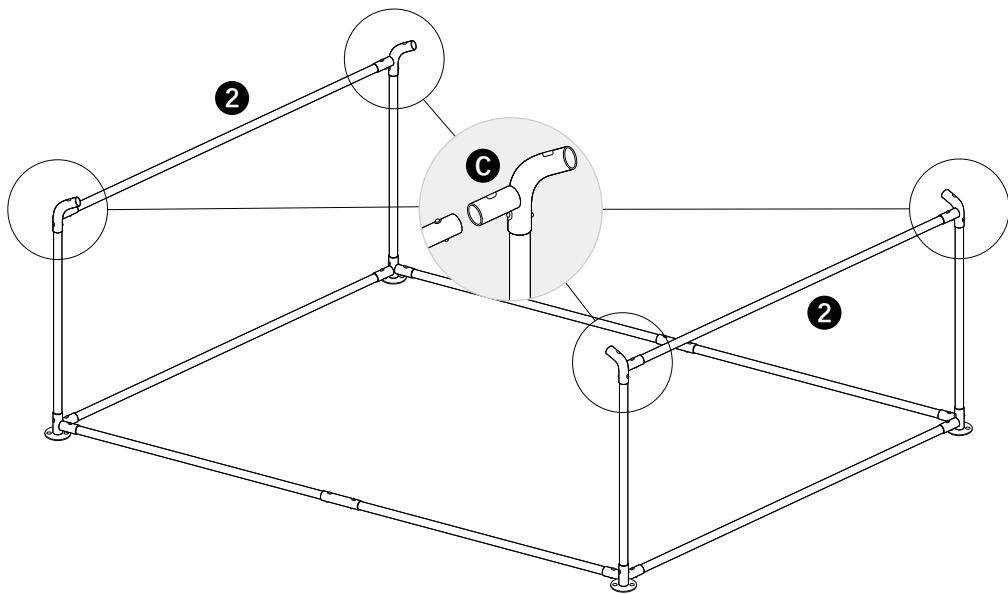
Step 1: building the bottom frame.



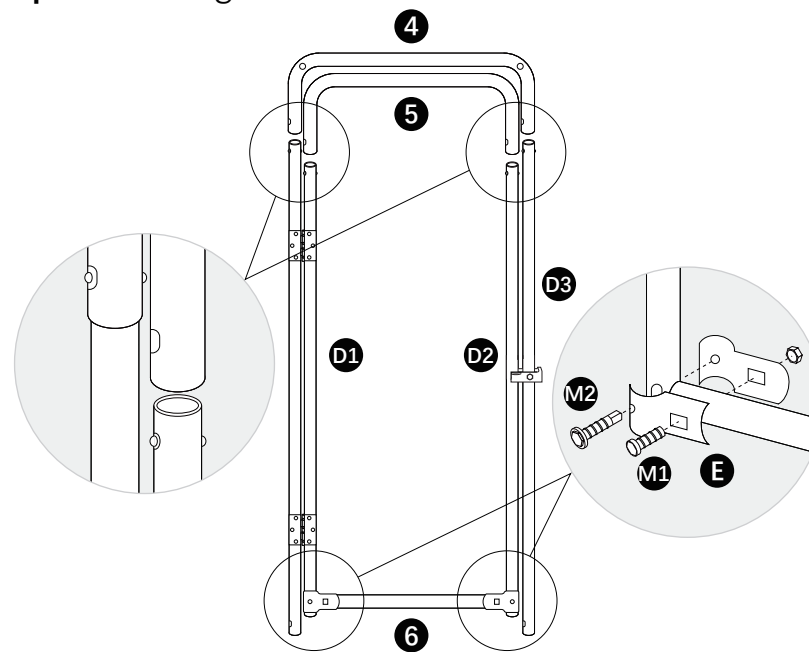
Step 2: connect the tube No.3 with the bottom frame.



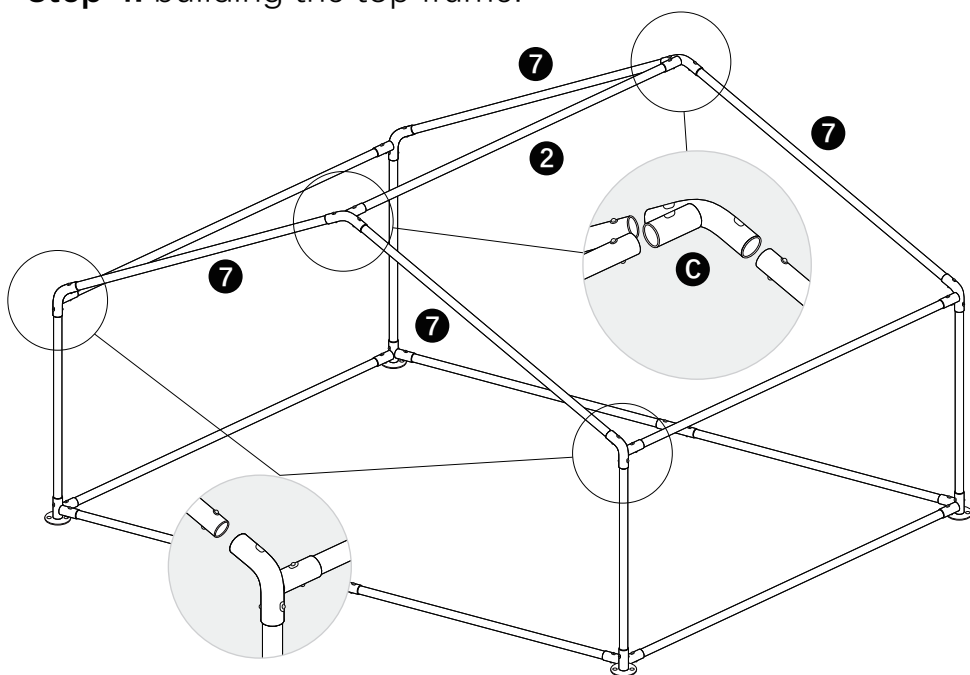
Step 3: building the middle frame.



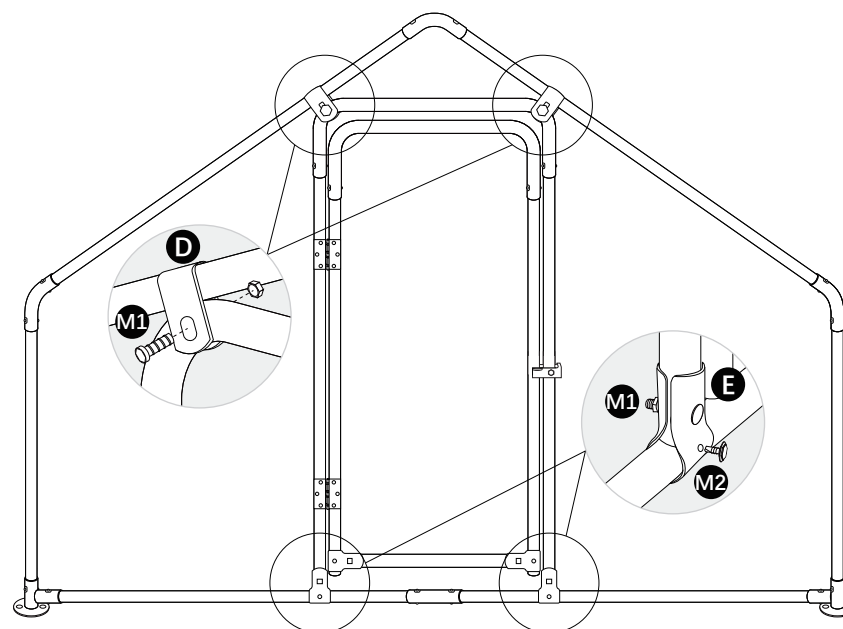
Step 5: building the door.



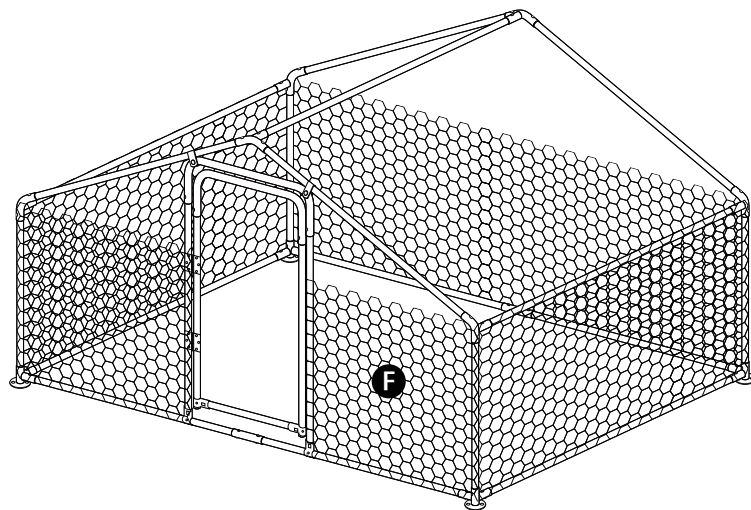
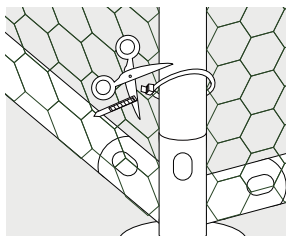
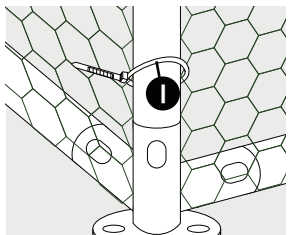
Step 4: building the top frame.



Step 6: contact the door with the frame.



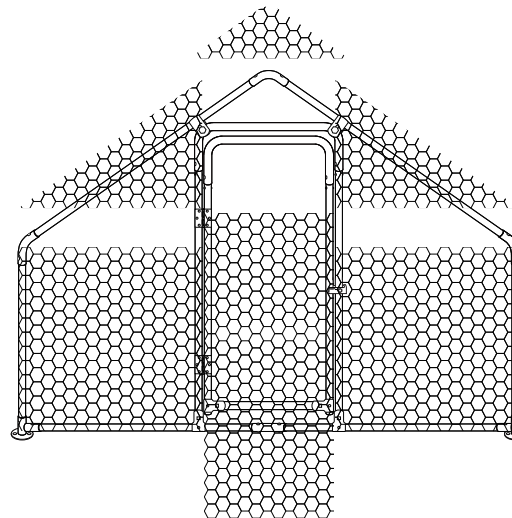
Step 7



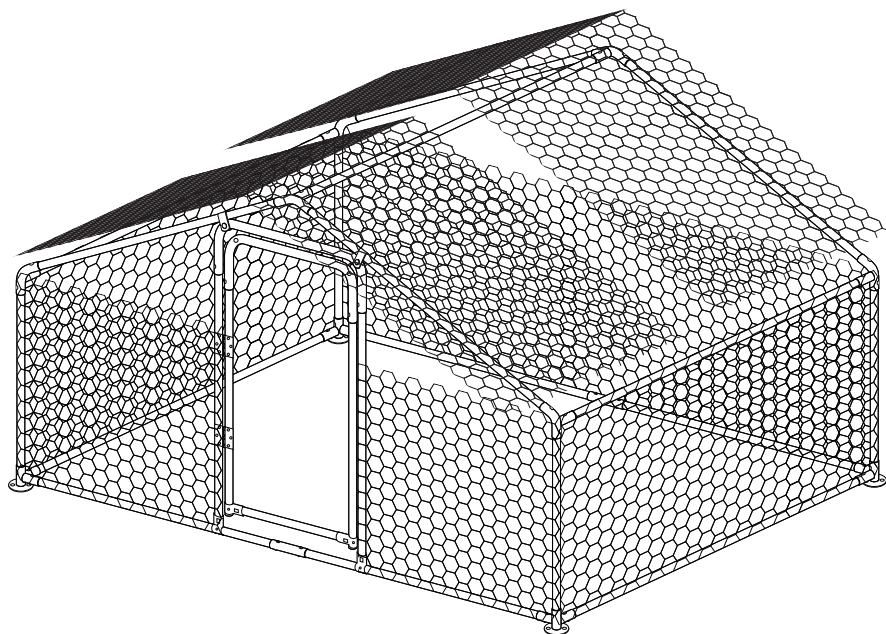
Step 9

Front

Back



Step 8



Step 10

