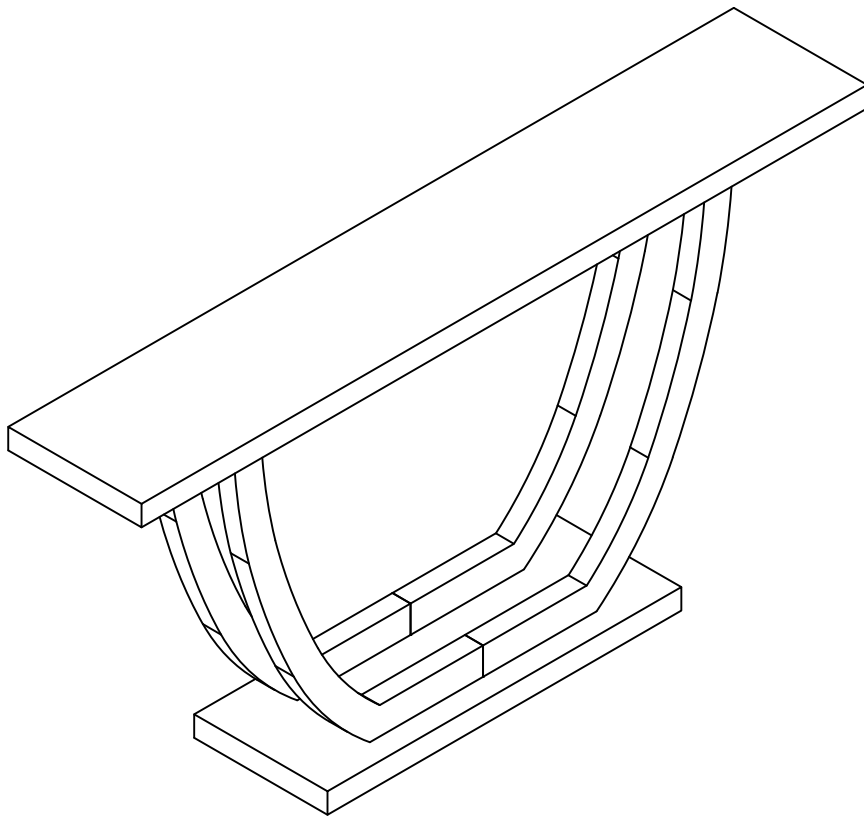


Assembly Instructions



Console Tables

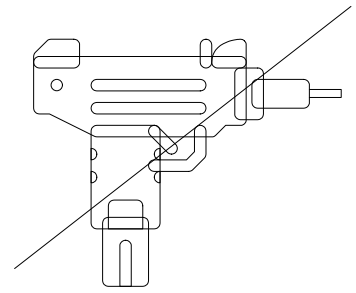
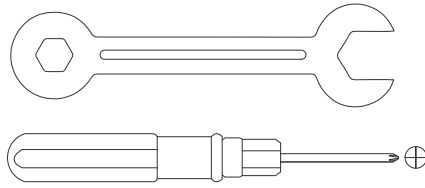
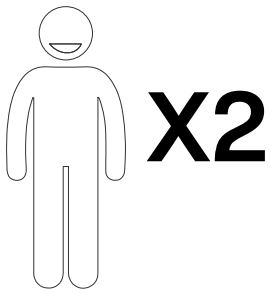
Contact Us

We're here to help you.

Your satisfaction is our top priority. If you encounter any issues with this product, such as missing or damaged parts, we're here to help. Please retain the original packaging and take photos of the packaging and the product, then contact us as soon as possible.

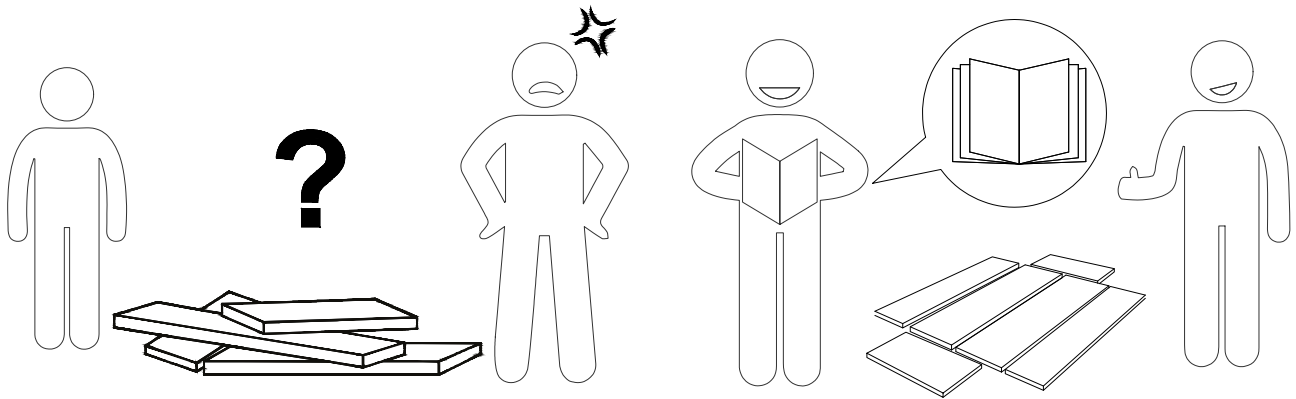
Warm Tips

1. Carefully read these instructions and keep them for future reference.
2. Check the parts list and confirm everything's there before starting assembly.
3. When assembling, put all parts on a soft, smooth surface like a carpet to avoid scratches.
4. Don't fully tighten screws until all parts are confirmed in place to avoid misalignment.



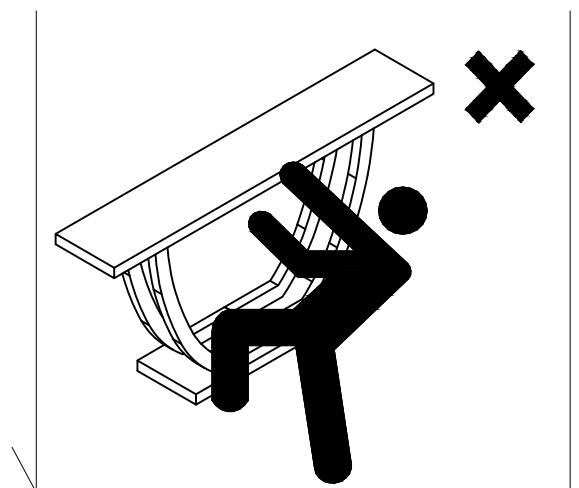
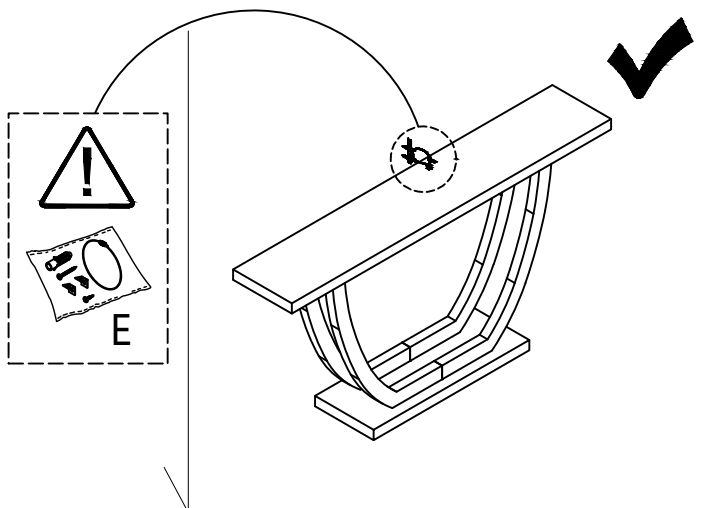
We recommend using hand tools for assembly.

If an electric screwdriver is used, reduce power and torque to avoid damage to the product.

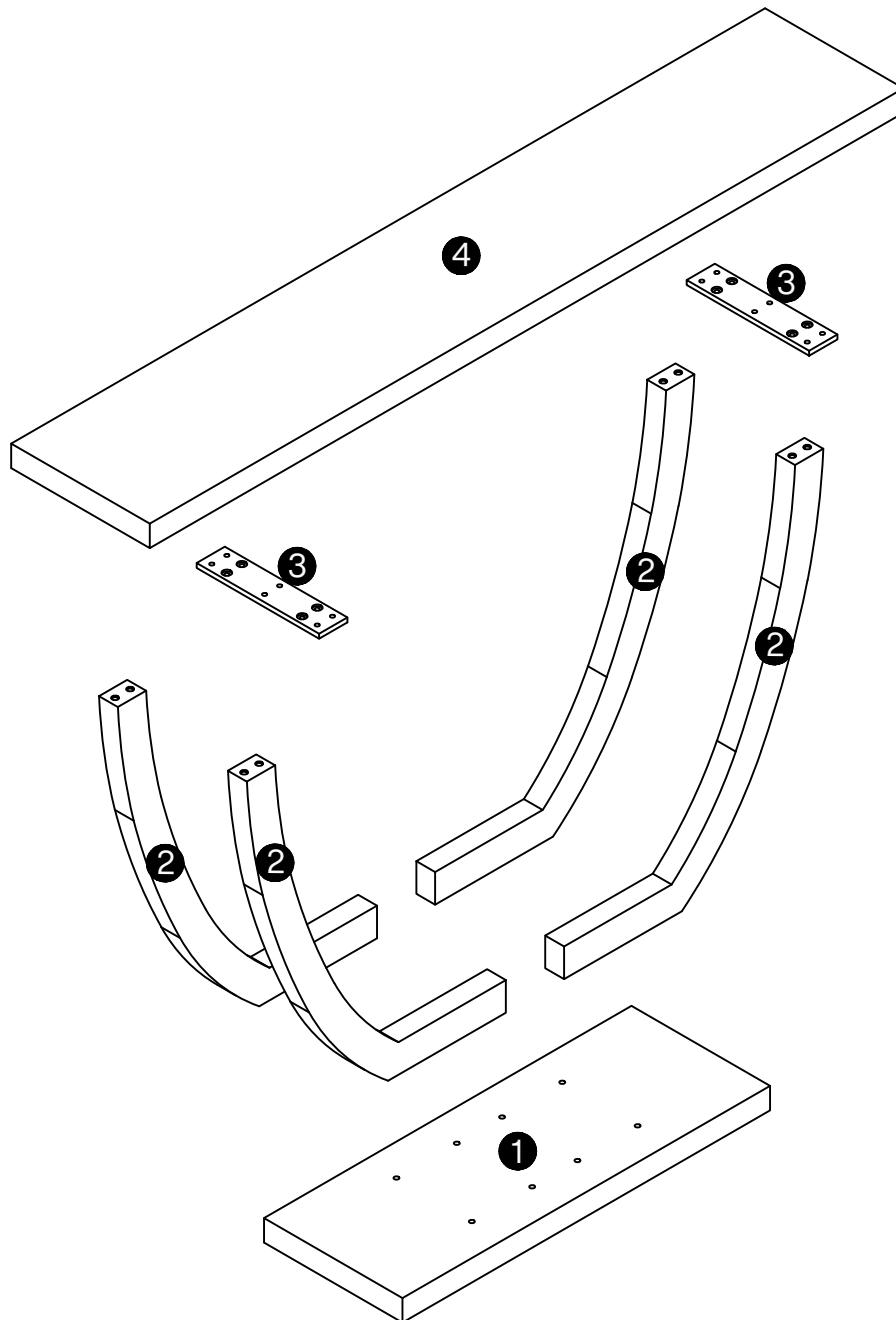


Install the Anti-Tip Straps

Using the anti-tip straps can reduce the risk of tipping over, but can not eliminate it.



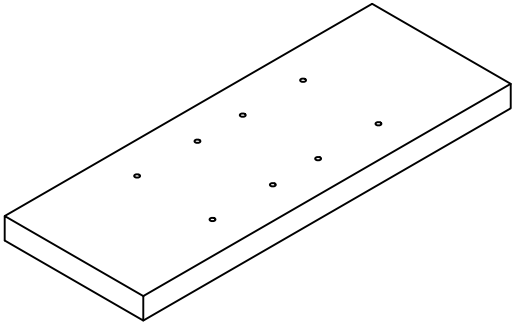
ASSEMBLY INSTRUCTIONS



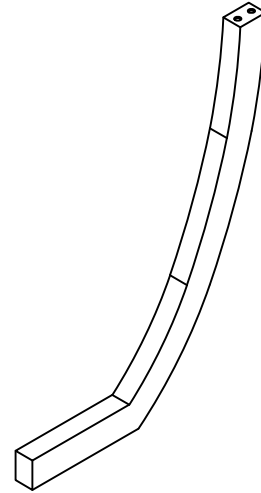
⚠ Caution

Make sure all parts are included. Most board parts are labeled or stamped on the raw edge. Contact us for a free replacement if you encounter any damaged or missing parts.

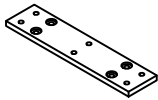
Parts List



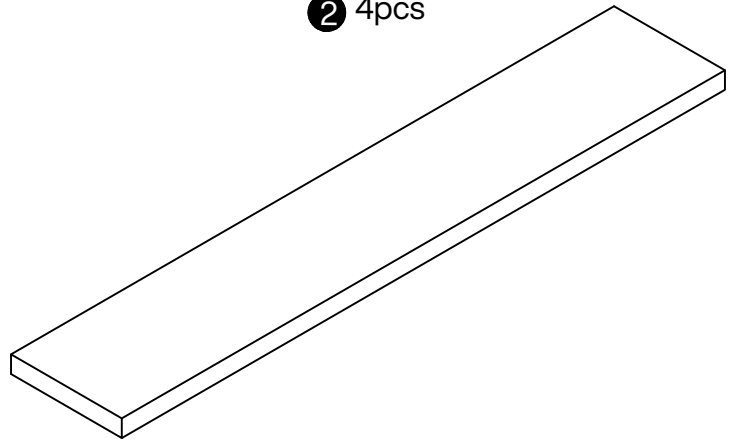
1 1pc



2 4pcs



3 2pcs

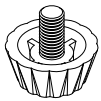
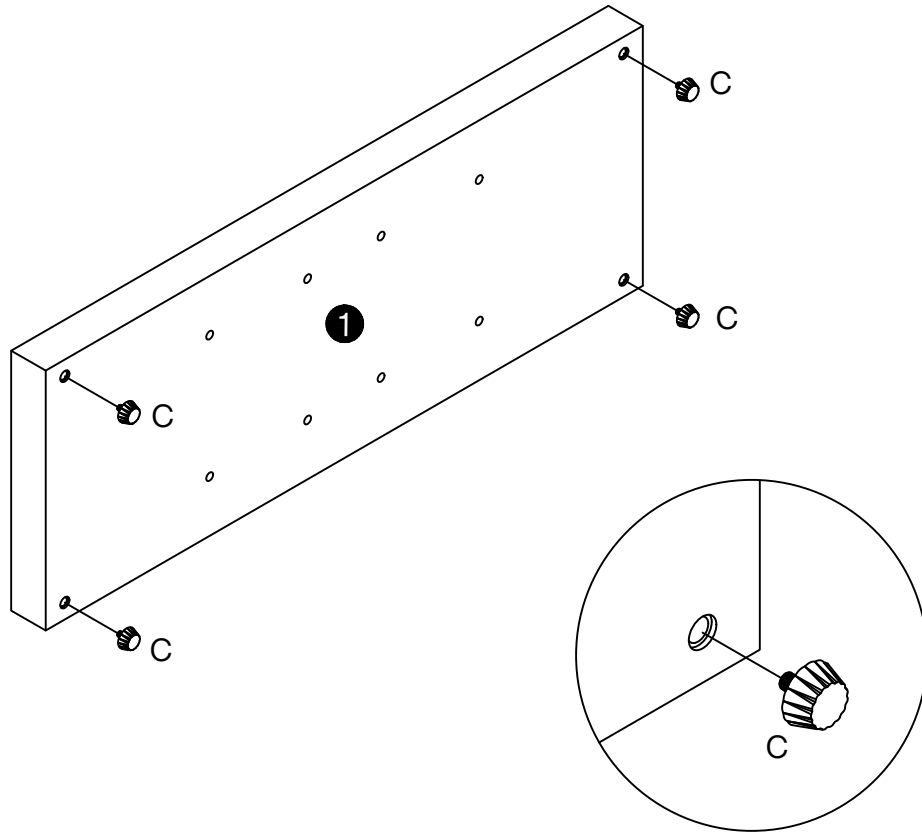


4 1pcs

Hardware List

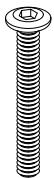
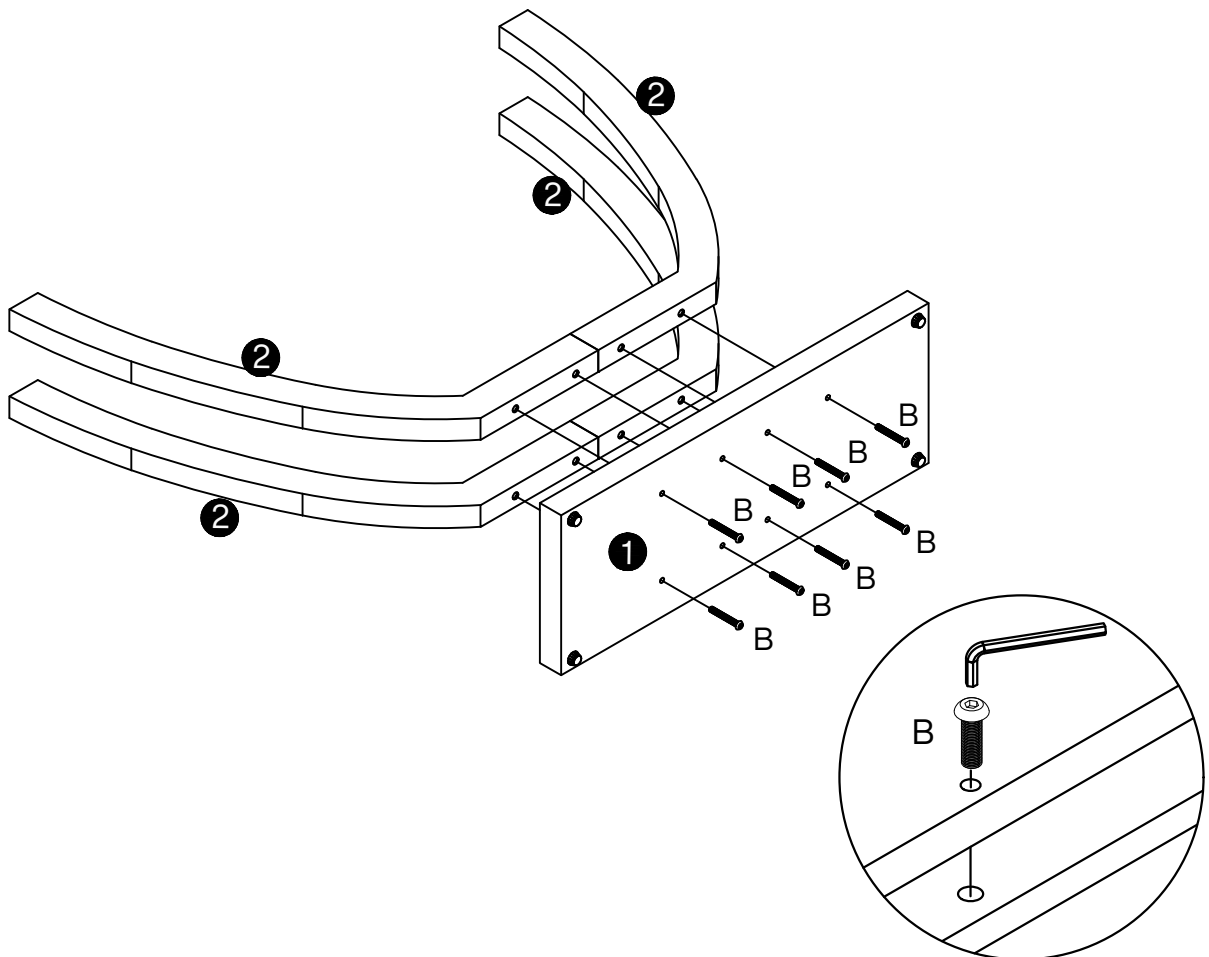
- | | | | | | | |
|-------------------|-------------------|-------------------|------------------|------------------|--------------------|--------------------|
| <p>Ø6X20MM</p> | <p>Ø6X60MM</p> | <p>Ø6X14MM</p> | <p>M4</p> | | <p>Ø4X25MM</p> | |
| <p>A
8pcs</p> | <p>B
8pcs</p> | <p>C
4pcs</p> | <p>D
1pc</p> | <p>E
1pc</p> | <p>F
12pcs</p> | <p>Screwdriver</p> |

1



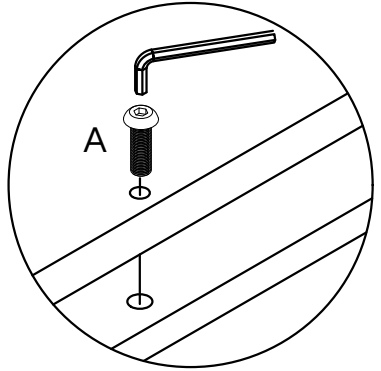
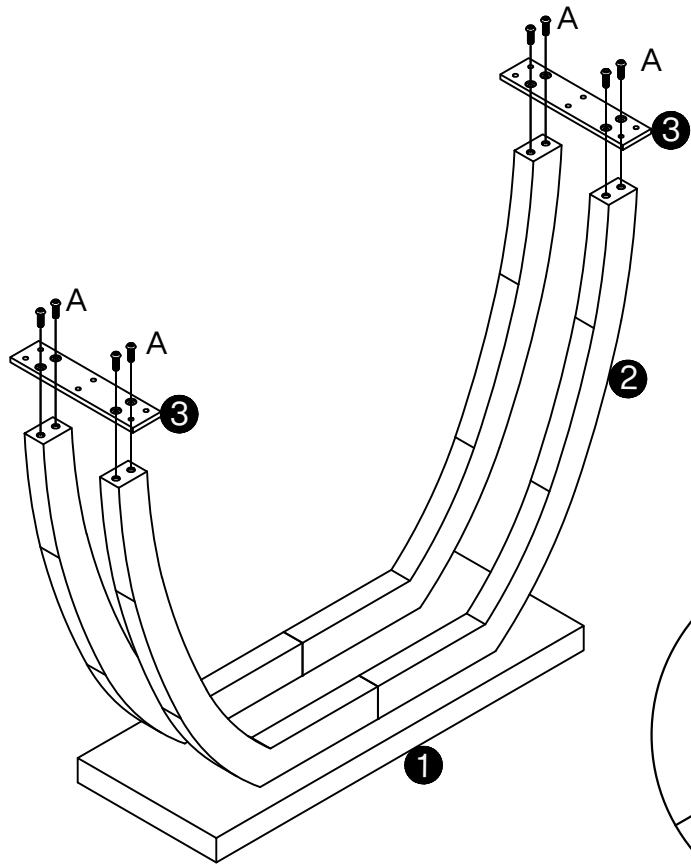
C
4 pcs

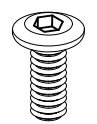
2



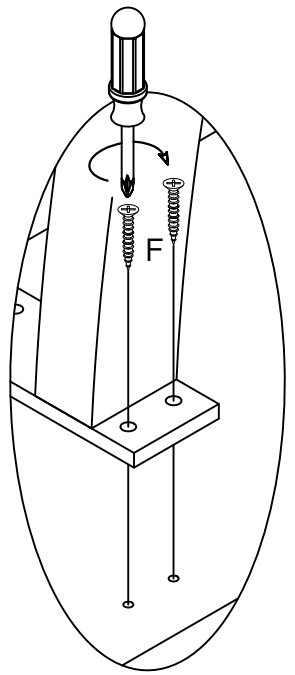
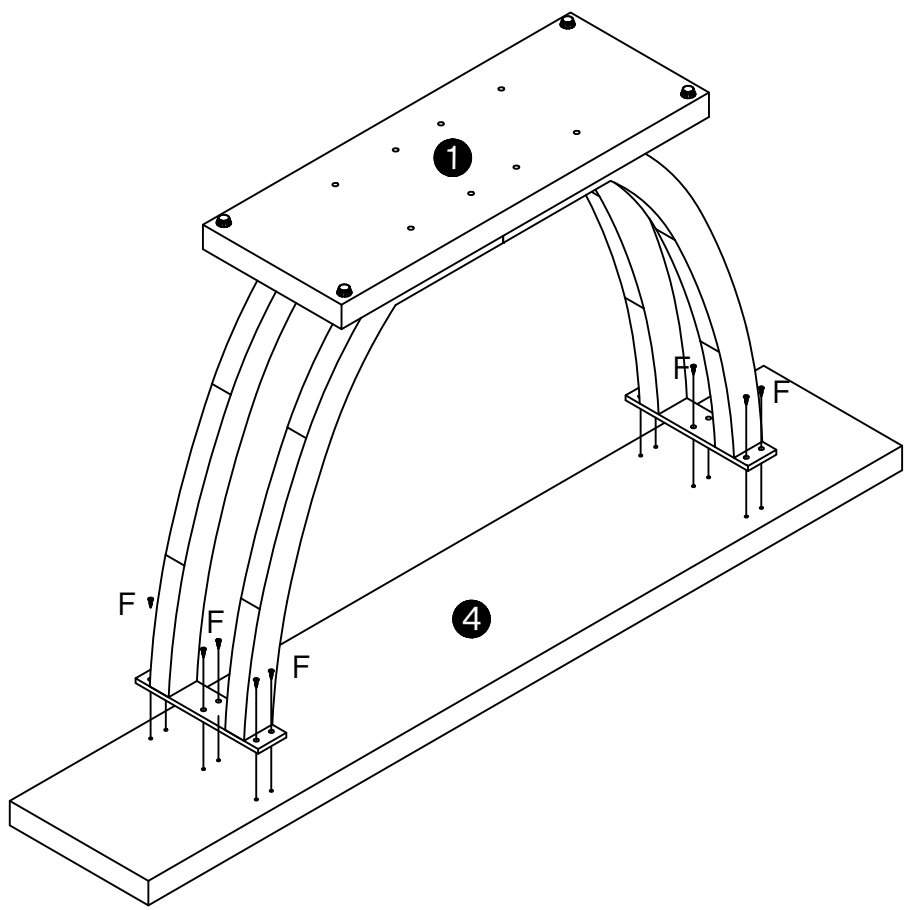
B
8 pcs

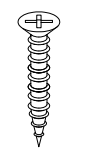
3



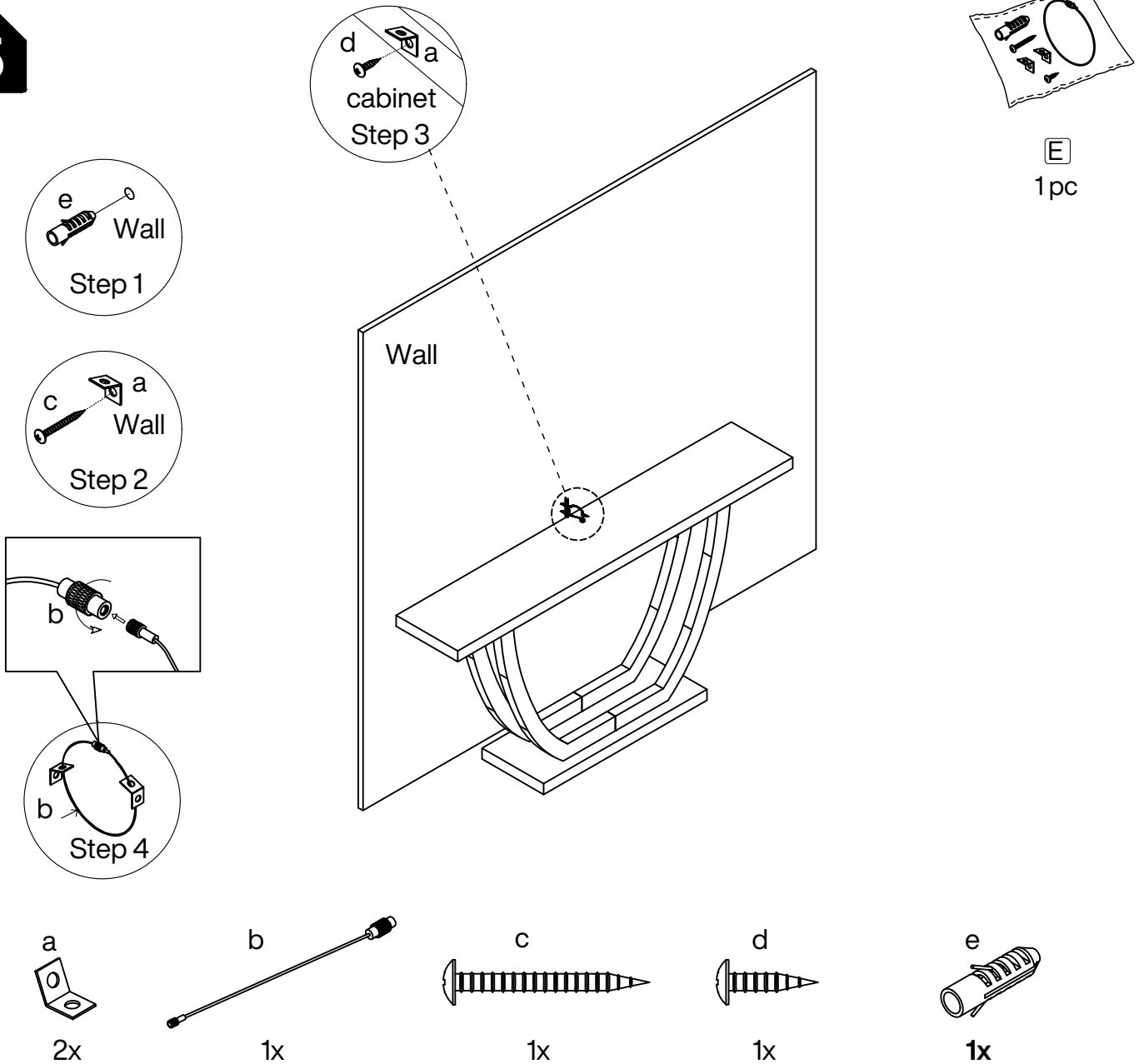

A
8 pcs

4




F
12 pcs

5



Installation Steps:

1. Drill a hole on the wall, insert the expansion bolt (e) into the hole.
2. Secure one bracket (a) into the expansion bolt (e) using the screw(c).
3. Position the furniture in place. Attach another bracket(a) (aligns with the bracket on the wall) to the back edge of unit top using the screw(d),
4. Thread the male end of the steel cable(b) through both brackets. Securely join the ends by turning the female connector clockwise.

Note:

Before installing the anti-tip kit, please determine where the furniture is to be placed and locate the center line of a wooden stud using a stud finder.

For a concrete wall, ensure no steel bars inside it.

Assembly Instructions

