

FUTURA

Design Hangar Design Group

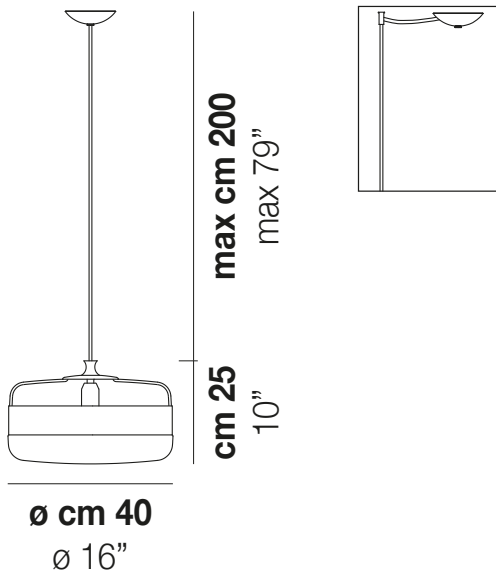
FUTURA SP G



A collection of lamps made from a single piece of blown glass, whose particular workmanship, though, allows a double chromatic effect: transparent at the top, satin effect at the bottom. The following combinations of glass with metal ring are now available: white glass combined with matt black ring, smoky glass with brown ring, amber glass with painted brass ring. A new transparent crystal glass finish with copper or matt black ring is also available.



FUTURA SP G



TECHNICAL DATA:



CERTIFICATIONS:



LIGHT SOURCES

| LED Type | Power | Voltage/Freq | Beam Angle |
|----------------|--------|--------------|---|
| LED 2700K DIM2 | 1x60w | 120V/60HZ | E26 |
| LED 2700K DIM3 | 1x12 W | 120V/60HZ | Led 2700 K 12 W 35 V 1500 lm DIM2 Phase Cut |
| LED 3000K DIM2 | 1x12 W | 120V/60HZ | Led 2700 K 12 W 35 V 1500 lm DIM3 0-10V, Push |
| LED 3000K DIM3 | 1x12 W | 120V/60HZ | Led 3000 K 12 W 35 V 1600 lm DIM2 Phase Cut |
| | 1x12 W | 120V/60HZ | Led 3000 K 12 W 35 V 1600 lm DIM3 0-10V, Push |

| | |
|--------------|---------|
| VOLUME | Mc 0,16 |
| GROSS WEIGHT | Kg 10,5 |
| NET WEIGHT | Kg 7,5 |

[download](#)

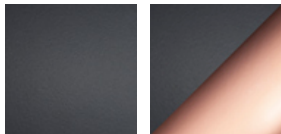


SHADE FINISHING



AMOT BCNE CRNE CRRA FUMA

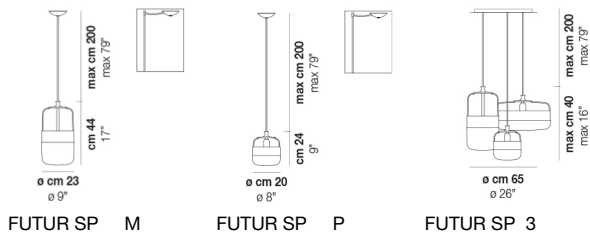
FRAME FINISHING



NE R_N

OTHER VERSION AVAILABLE

Click on the version to go to the web version of the product



FUTUR SP M

FUTUR SP P

FUTUR SP 3