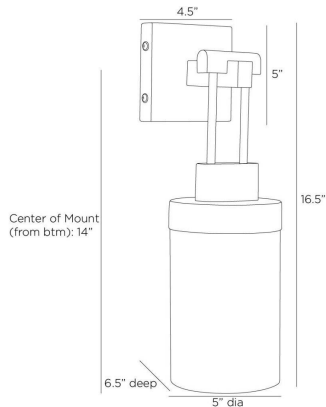


EVEREST OUTDOOR SCONCE



DWC39
 H: 16.5 IN, W: 5 IN, D: 6.5 IN,
 Aged Iron

A hanging lantern of opal glass and aged iron-powdercoated aluminum possesses an Eastern allure. Inspired by Japanese wood joinery, this minimalist style is finished with a protective coating to withstand the elements. Finish will vary.

APPEARANCE

Material	Aluminum, Glass
Finish	Marine Grade Aged Iron, Opal
Top Coat/Sealant	Yes

DIMENSIONS

Back Plate	H: 5 IN, W: 4.5 IN, D: 1 IN
Shade	H: 7 IN, Dia: 5 IN
Center Of Mount From Btm Height	14 in

WIRING

Rating	Outdoor
Cord	0.5 FT, Black/White, SVT
Socket	1, Type A - E26
Maximum Watt	60
Voltage	110-120 V

CERTIFICATIONS

Certifications	Mexico, United Arab Emirates, European Union, United States, Canada, Australia
----------------	--

COMPLIANCY

UL/ETL	Yes
CB	Yes
RoHS	Yes

SHIPPING

Product Weight	5 lbs
Gross Weight 1	16 lbs
Shipping Box 1	H: 15.5 IN, L: 13.5 IN, W: 8.5 IN

ADDITIONAL INFO

Swatch Number	AIMSW
---------------	-------

REPLACEMENT PARTS

Replacement Part 1	DWC39GLS
--------------------	----------

CONTRACT

Contract Suitable	Yes
-------------------	-----