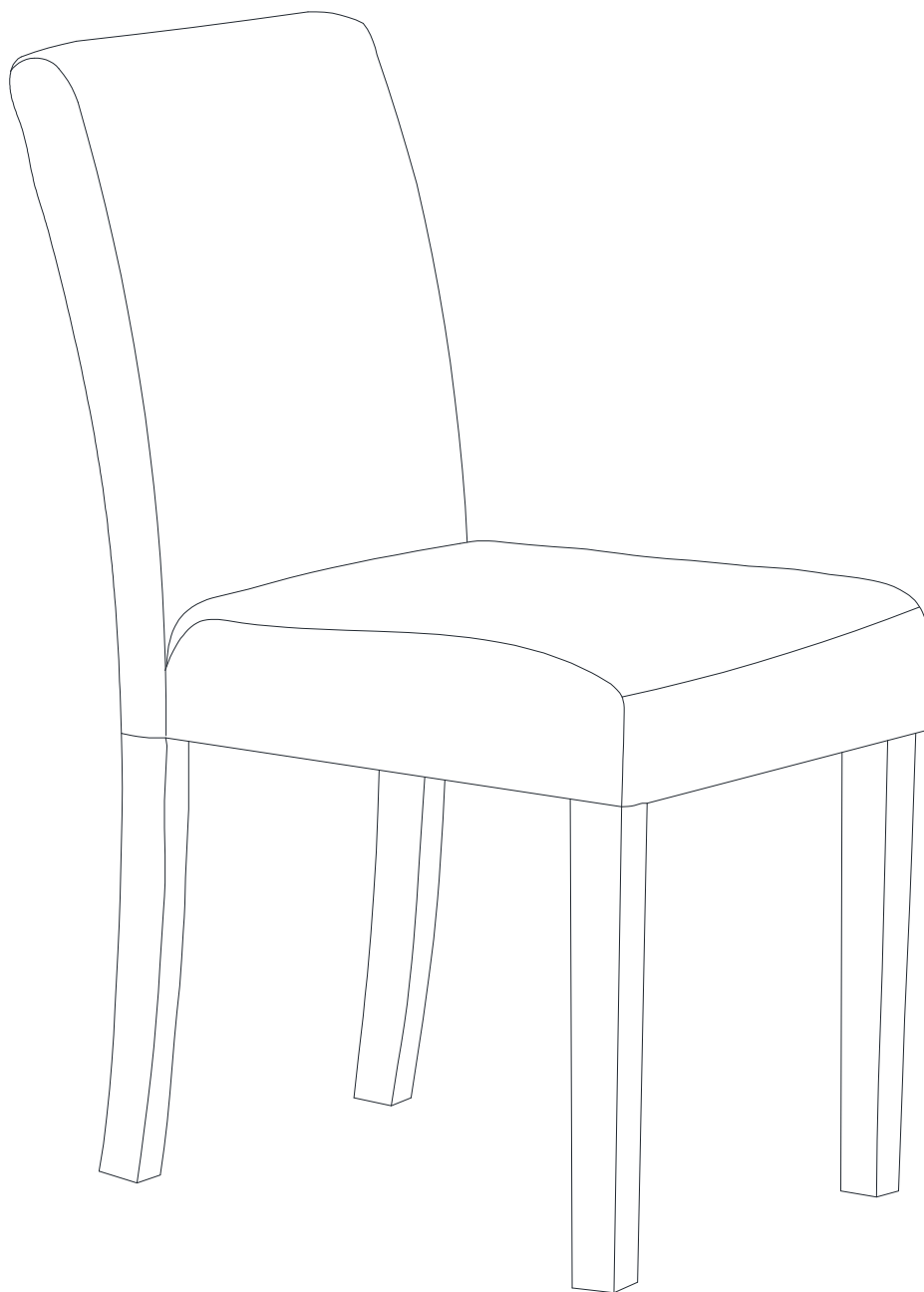


## ASSEMBLY INSTRUCTIONS



*Description: CHAIR*

**Product Dimension:**

*17.2"Wx22"Dx36.75"H*

**Cube Size** : *38.2"x18.4"x12.7"*

NW: 22 LBS

GW: 28.6 LBS

## BEFORE ASSEMBLY

Thank you for purchasing our product. This product has been designed for easy assembly and long lasting use. Please take the time to read and follow the assembly instructions carefully

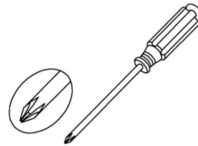
Be sure to check all packing material carefully for small parts which may have come loose inside the carton during shipment. Please separate, identify, and count all parts and metal hardware. Compare with part list to be sure all parts are present. If hardware is missing or you have difficulty assembling this product, please call for us.

**IMPORTANT NOTE:**

- Place all wooden parts on a clean and smooth surface such as a rug or carpet to avoid the parts from being scratched.
- Remove all wrapping material, including staples & packing straps before you start to assemble.
- DO NOT tighten all screws and bolts until completely assembled.
- Keep all hardware parts out of reach of children.

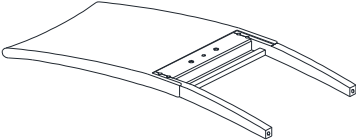
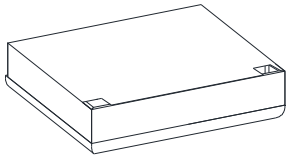
### ASSEMBLY TOOLS REQUIRED

NOT INCLUDED










## PART LIST

When unpacking, please be careful not to discard any parts with the packaging. Before continuing, please make sure you have the following parts:

| NO | Description | Qty | Sketch  | NO | Description | Qty | Sketch  |
|----|-------------|-----|---|----|-------------|-----|---|
| A  | Chair back  | 1   |  | B  | Seat Frame  | 1   |  |
|    |             |     |   |    |             |     |   |

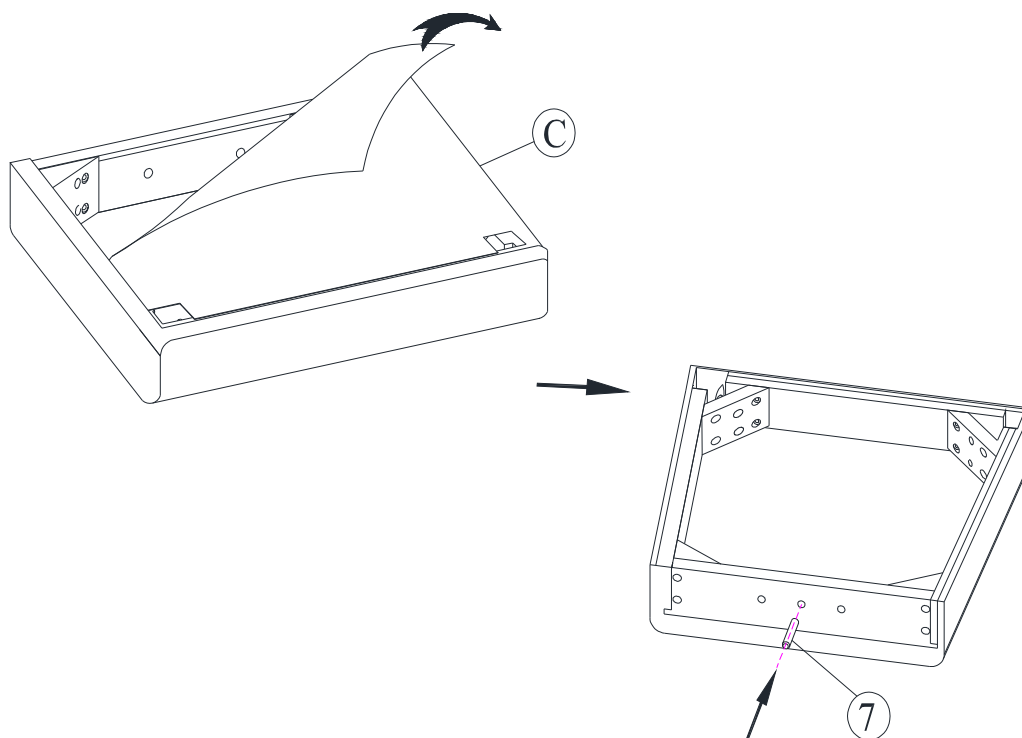
## HARDWARE LIST

When unpacking, please be careful not to discard any parts with the packaging. Before continuing, please make sure you have all of the following hardware:

| N<br>O | Description              | Qty | Sketch  | N<br>O | Description              | Qty | Sketch  |
|--------|--------------------------|-----|---|--------|--------------------------|-----|---|
| 1      | Long bolt<br>(M6x80mm)   | 4   |  | 2      | Medium bolt<br>(M6x60mm) | 4   |  |
| 3      | Short bolt<br>(M6x40mm)  | 2   |  | 4      | Lock Washer<br>(ø6.5x9)  | 10  |  |
| 5      | Flat Washer<br>(ø6.5x19) | 10  |  | 6      | Allen Key<br>(4mm)       | 1   |  |
| 7      | Dowel<br>(ø10x30)        | 1   |  |        |                          |     |   |

### STEP 1

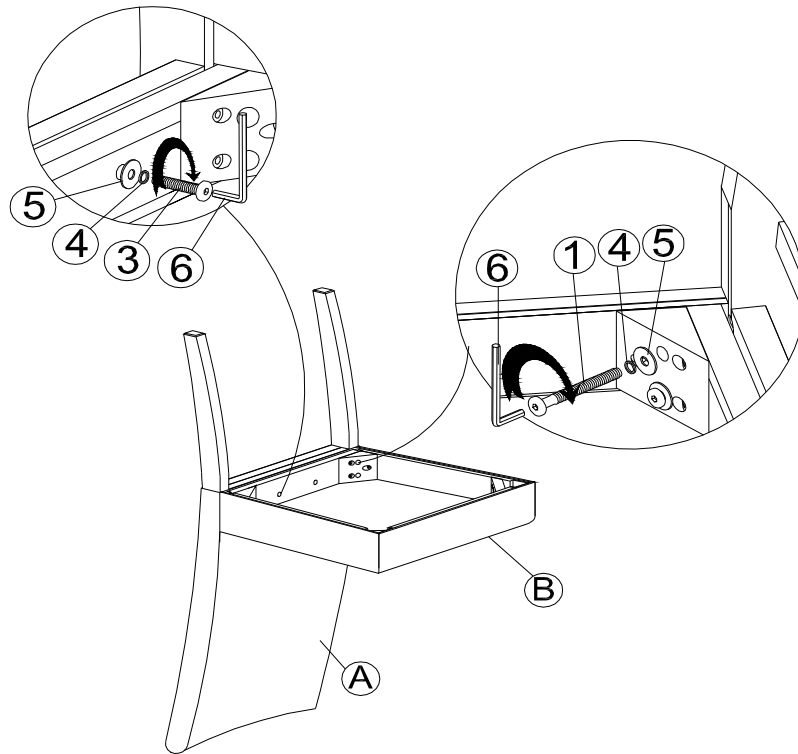
Remove bottom out seat frame (c) as shown below. After attach Dowel (7) to seat frame (c).



## STEP 2

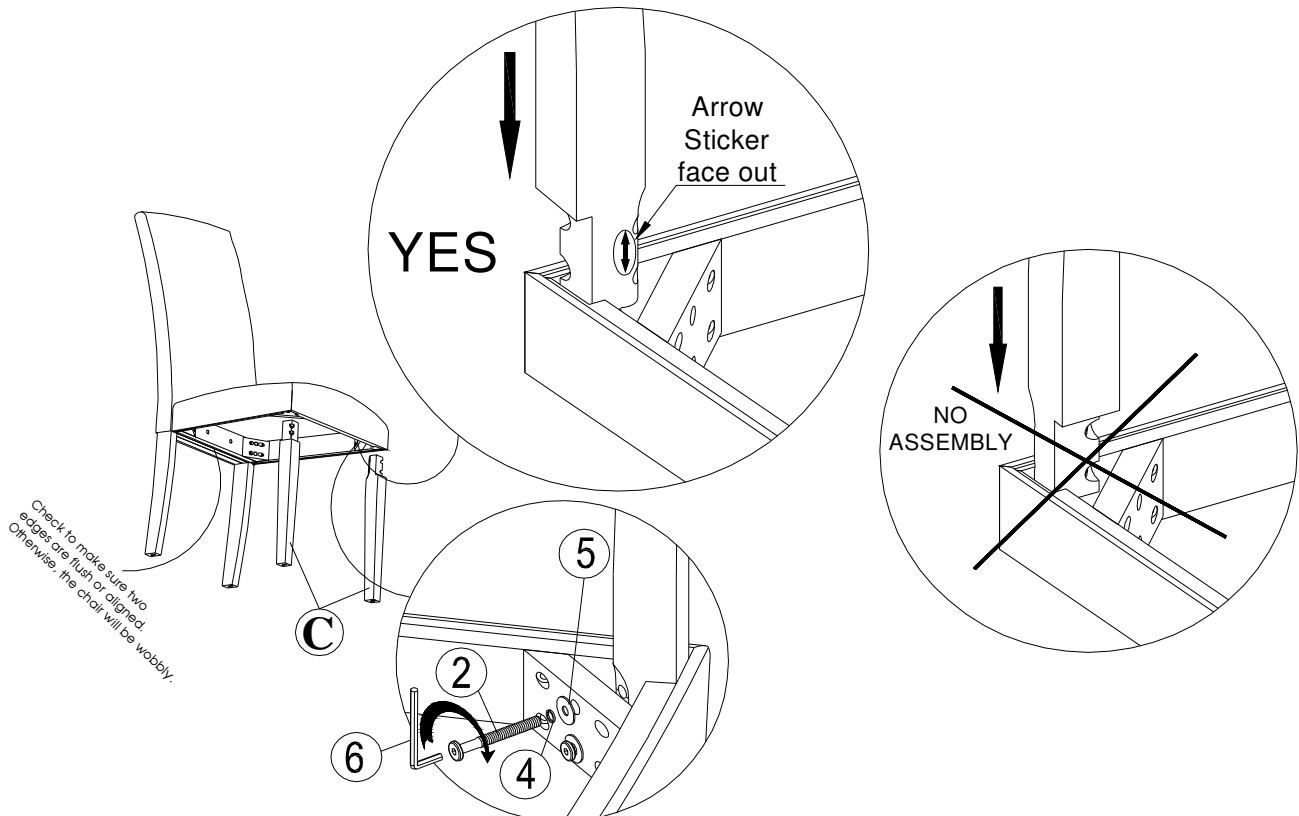
Attach frame (B) to the back (A) by using bolts (3) and (1) and washers (4) and (5). Tighten with Allen Key (6). Squeeze frame seat and Chair back when assembly

Note: DO NOT tighten any of the bolts, until the chair is assembled.



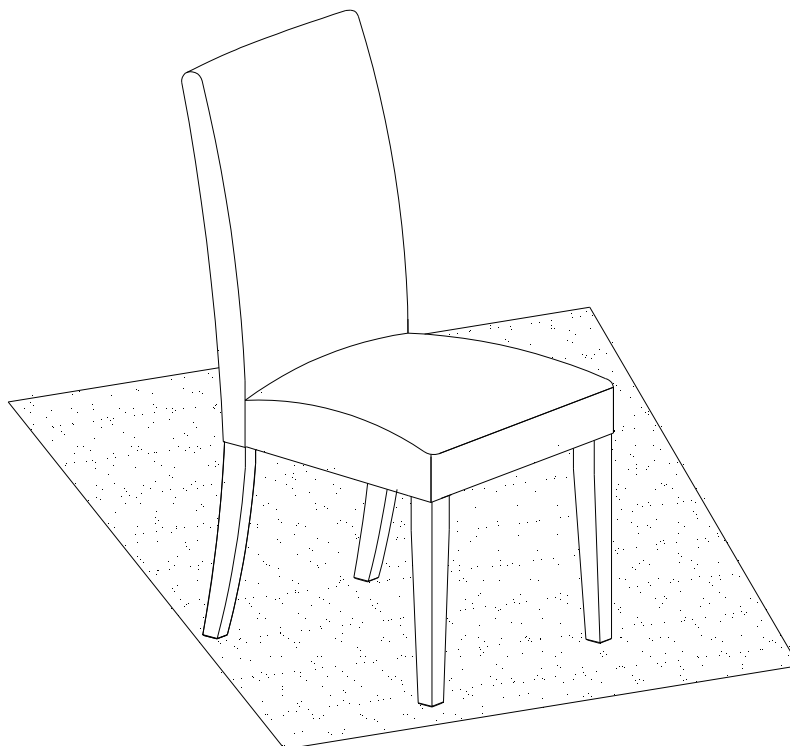
## STEP 3

Attach front legs (C) to the seat frame. Use bolts (2), washers (4) and (5). Tighten with Allen Key (6).



## STEP 4

Put the chair on a flat level surface to make sure the chair is level and then tighten the all bolts.



## STEP 5

Attach the bottom cover (removed on step 1) back on the seat frame and finish the assembly.

