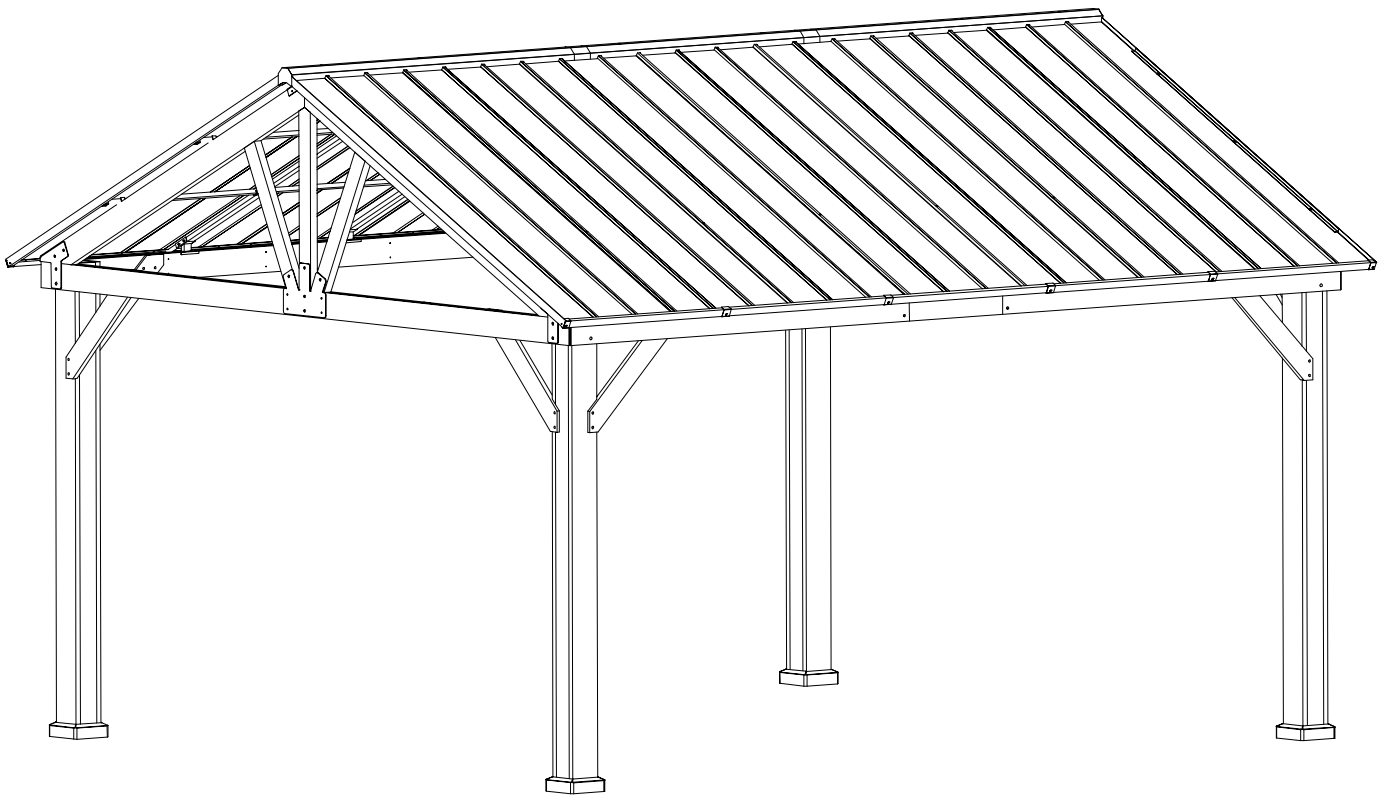
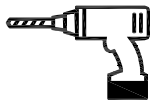


GAZEBO 14' x 12' WOOD



Note: The gazebo needs to be installed in cooperation with five people. The following tools are not included and needed for assembly:



Pistol Drill



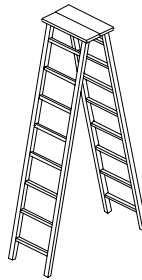
Tape Measure



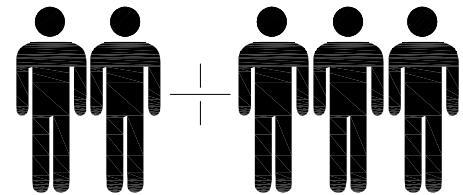
Hammer



Screw Driver



2 m Adjustable Ladder



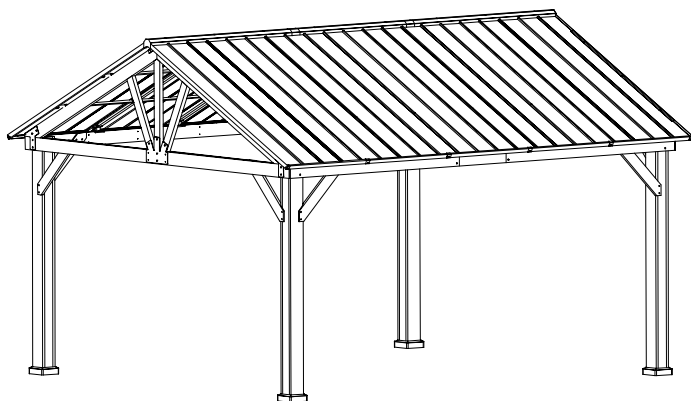
5 people

Warning

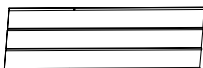
1. A 5 person assembly is required for this gazebo.
2. Please take appropriate actions as heavy rain, wind and snow can damage the gazebo. If necessary please dis-assemble and store for later use.
3. In snowy conditions, please do not allow the thickness of the snow to be more than 1.97 inch on the roof, this should be cleared as soon as possible for your safety. When the wind speed reaches 61.2km/h, please take measures to avoid the wind.
4. Care the wooden structure of the gazebo like painting with anticorrosive paint every two months or dry the wooden parts and then paint when it is in rainy season, which can let the gazebo service longer.

Attention:











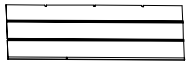
1. Please fix all the screws first,do not lock off,after assembling is fully completed,lock all at once finally.
2. Please check the manual carefully and make sure you have received all the parts.
3. If there is any missing,please let us know the letter of the parts you need.
4. If there is any damage,please send clear photos to us,we will check and offer you best solution soon.












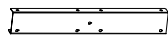
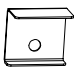




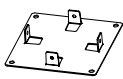




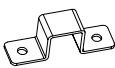


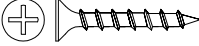
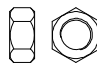
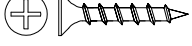

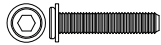
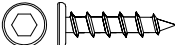
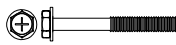

Parts List (Box A)




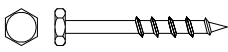




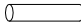




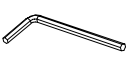


P5  Big Roof Cover				
10 pcs				

Parts List (Box B)

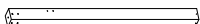




M3  Right Roof Side Tube 1	M4  Left Roof Side Tube 2	H1  Big Roof Middle Beam	D  Top beam supportor	N1  Big Roof Small Beam1
2 pcs	2 pcs	8 pcs	4 pcs	6 pcs
N2  Big Roof Small Beam2	N3  Big Roof Small Beam3	N4  Big Roof Small Beam4	N5  Big Roof Small Beam5	P4  Left Roof Cover
4 pcs	4 pcs	2 pcs	4 pcs	2 pcs
P3  Right Roof Cover1				
2 pcs				

Parts List (Box C)






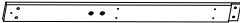


F3  Big Roof Beam 1	F5  Middle beam of large top	R4  Big Roof Cover 1	R5  Big Roof Cover 2	U1  Roof Side Cover
2 pcs	1 pc	2 pcs	1 pc	4 pcs
L1  Middle Roof Lower Tube 1	L2  Side Roof Lower Tube 2	I  Middle Beam Lower Connector	C4  Triangular Connector	G2  Roof Beam Connector
6 pcs	4 pcs	8 pcs	2 pcs	2 pcs
J1  Middle Closure Plate	J2  Right Closure Plate	J3  Light Closure Plate	A  Spacer	E  Robber Gasket
8 pcs	2 pcs	2 pcs	12 pcs	24 pcs
C  Base	C1  Triangular Connector 1	C2  Triangular Connector 2	T  Catch	B  Base Cover
4 pcs	2 pcs	2 pcs	2 pcs	4 pcs
O  Small Beam Presser				
4 pcs				
AA  Bolt M10*205	BB  Flat Washer M6	CC  Screw M5*40	DD  Nut M6	EE  Screw M5*30
8 pcs	28 pcs	80 pcs	28 pcs	80 pcs
FF  Bolt M6*15	HH  Bolt M8*35	II  Bolt M8*35	JJ  Bolt M6*55	KK  Bolt M8*25
126 pcs	16 pcs	16 pcs	16 pcs	28 pcs

LL  Non-slip Nuts M10	MM  Flat Washer M8	NN  Flat Washer M10	OO  Screw M10*80	PP  Stake Φ8*180
8 pcs	30 pcs	24 pcs	8 pcs	8 pcs
RR  M3 Drill	SS  Bolt M6*45	UU  Non-slip nuts M8	S  Steel Pin Φ8*55	WW  Bolt M8*50
2 pcs	12 pcs	14 pcs	12 pcs	14 pcs
YY  Wrench M6	ZZ  Hook	Z1  Wrench M6	Z2  Allen Key M8	Z3  Wrench M8
8 pcs	2 pcs	2 pcs	1 pc	2 pcs
Z4  Wrench M10				
2 pcs				

Parts List (Box D)

08  Post	01  Outer Long Left Beam (Short)	02  Outer Long Right Beam (Short)	05  Inner Middle Beam	07  Beam of internal short side
2 pcs	6 pcs	2 pcs	4 pcs	4 pcs

Parts List (Box E)

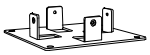
08  Post	21  Triangular Support Beam	10  Arc Support 1	11  Arc Support 2	16  Middle beam of external long side
2 pcs	4 pcs	4 pcs	4 pcs	2 pcs
18  Beam of internal long side	22  Triangular Middle Support Beam	23  Triangular Frame Slanting Beam		
4 pcs	2 pcs	4 pcs		



08 4x

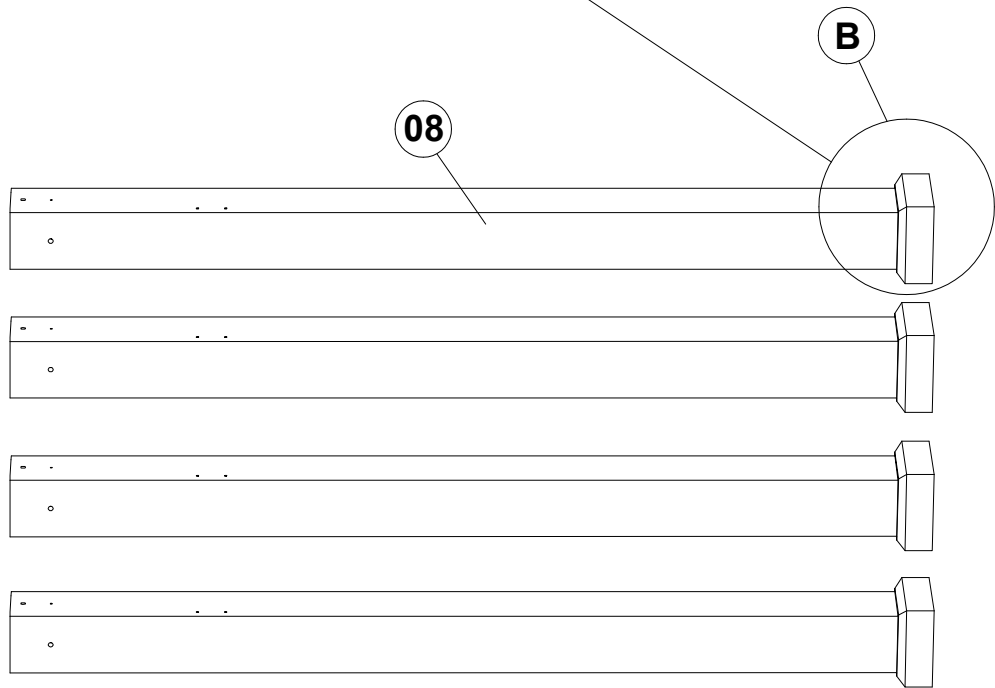
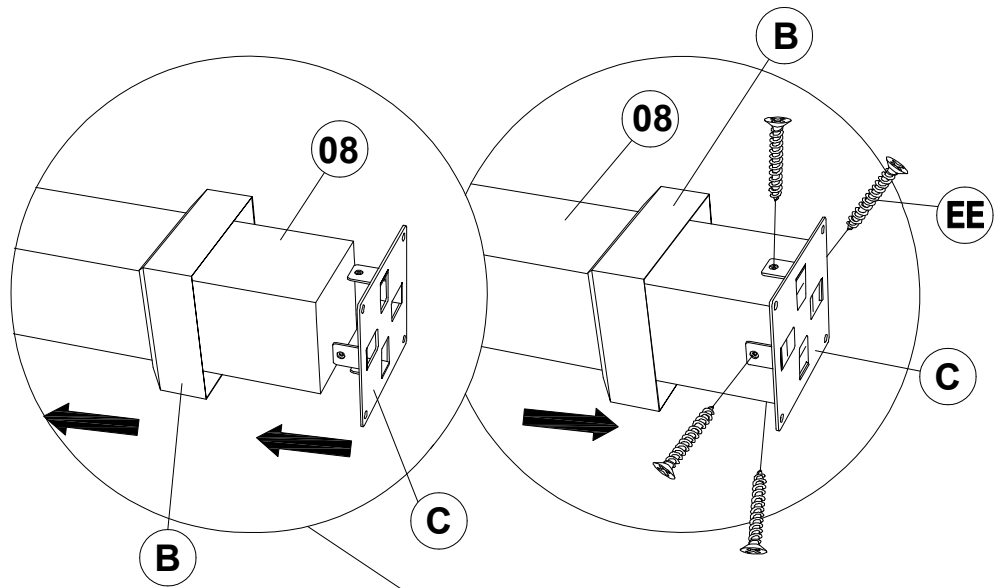


B 4x



C 4x

<1>



1



EE 16x

M5*30

<2>



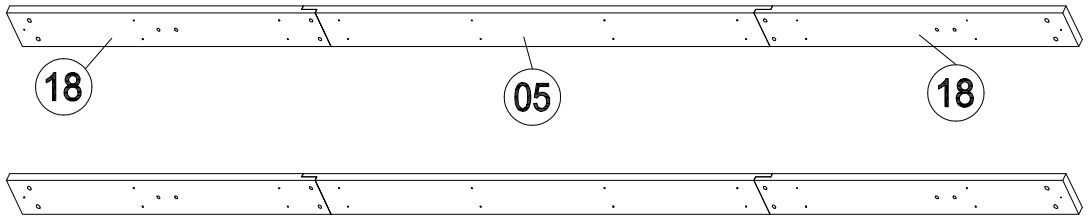
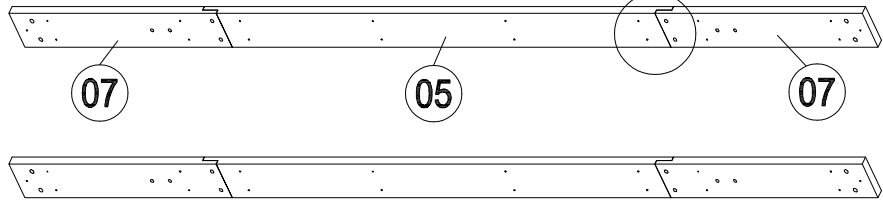
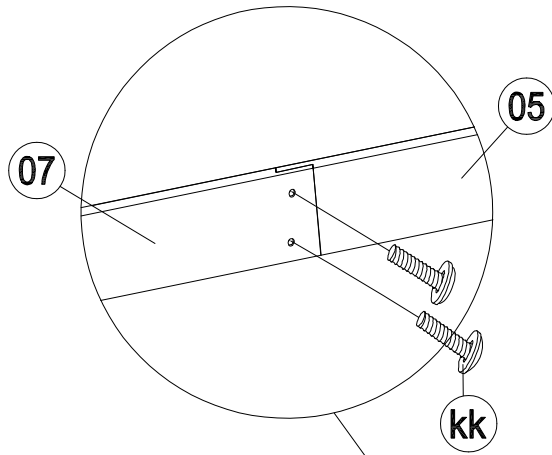
05 4x



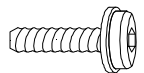
07 4x



18 4x



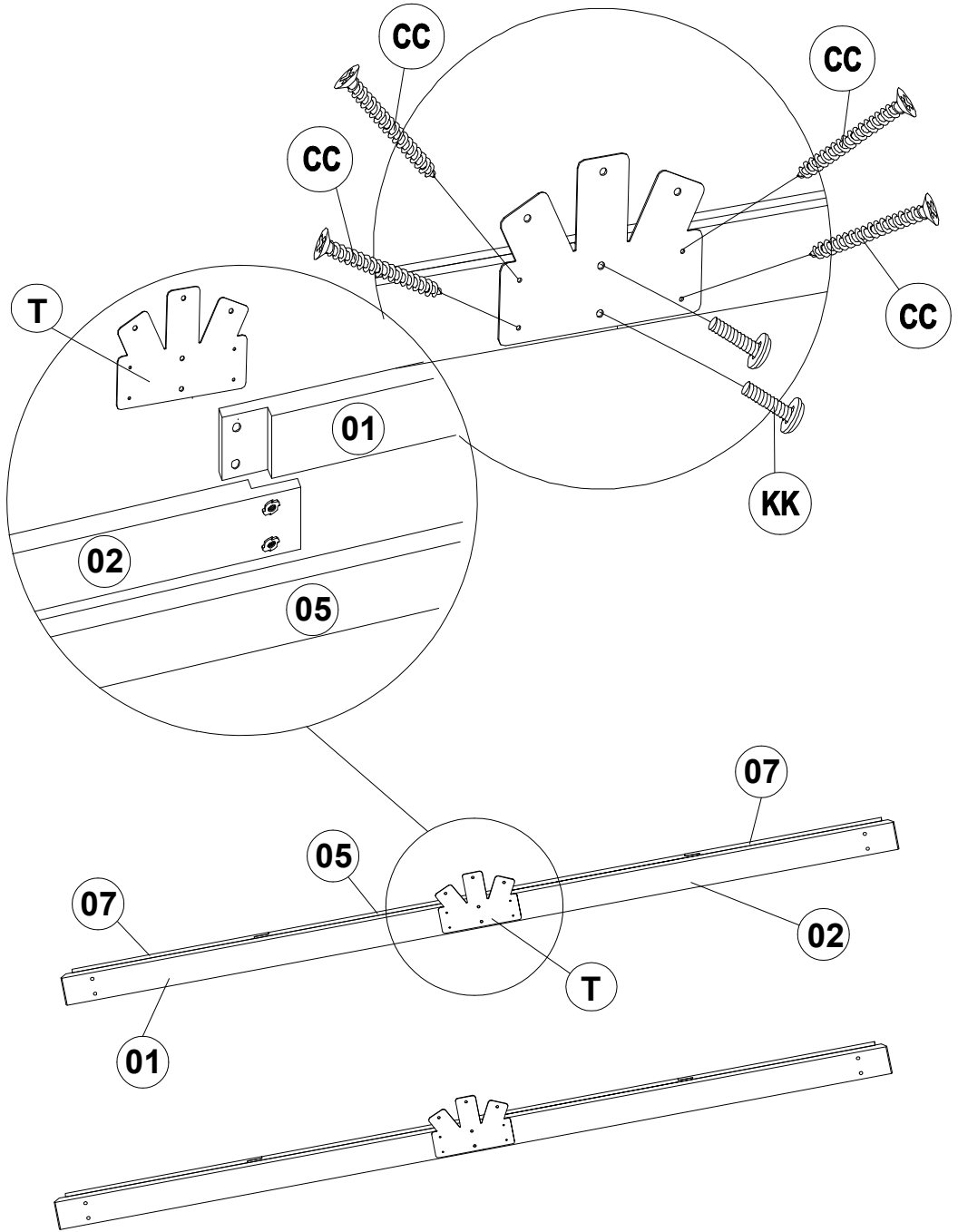
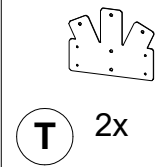
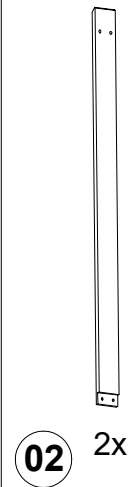
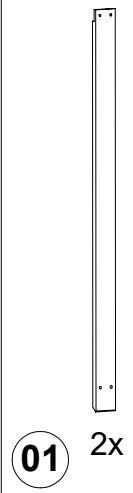
2



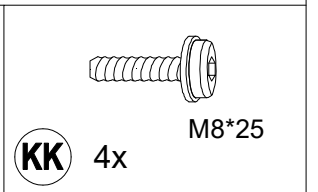
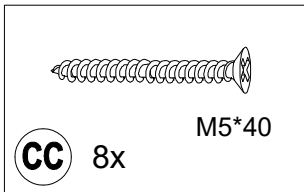
KK 16x

M8*25

<3>



3



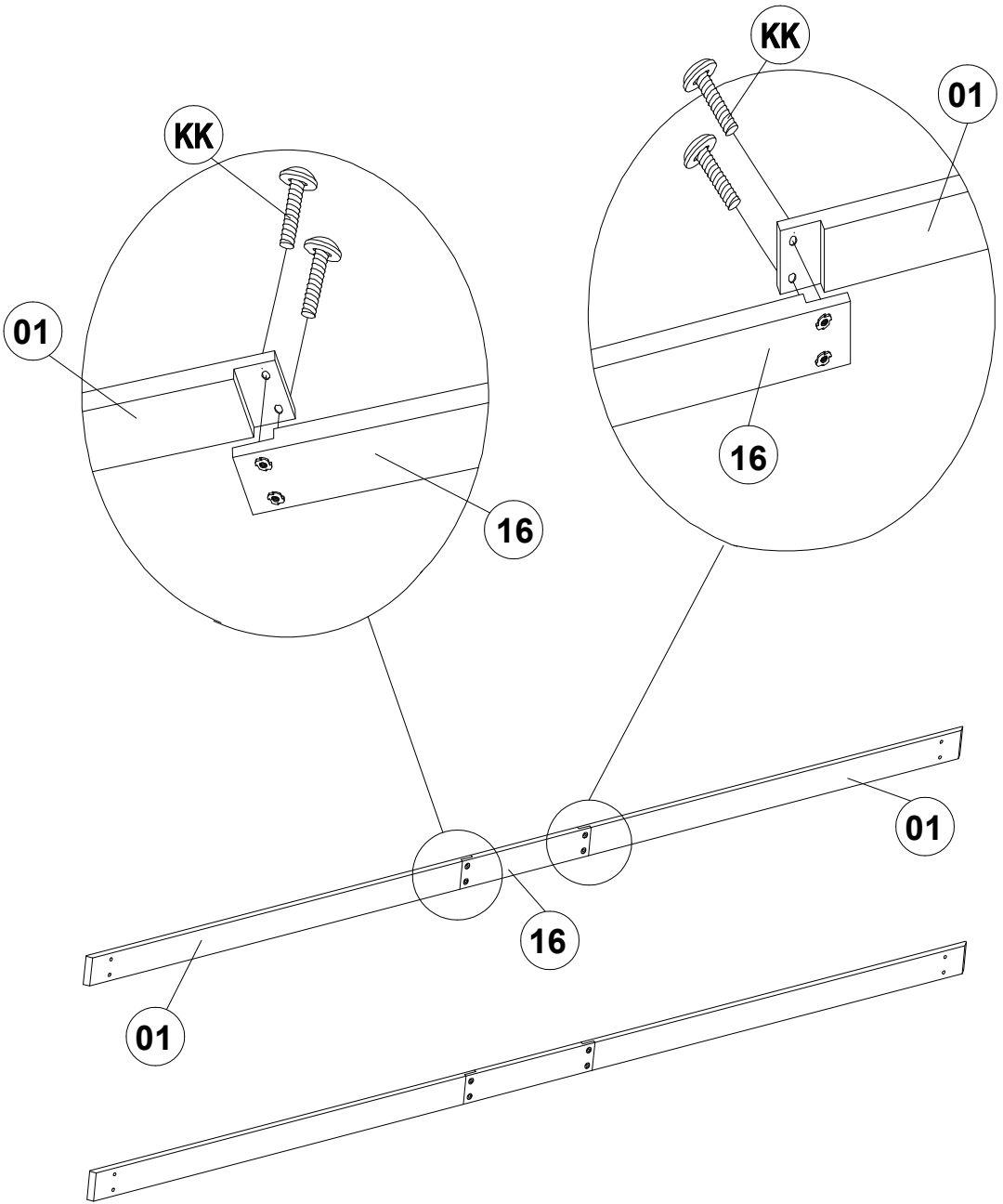
<4>



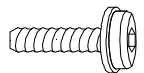
01 4x



16 2x



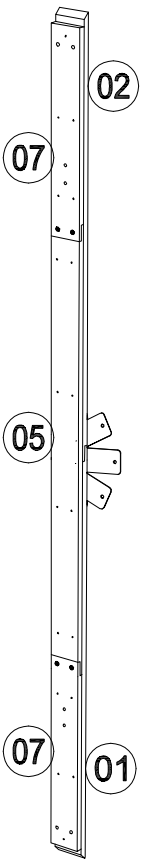
4



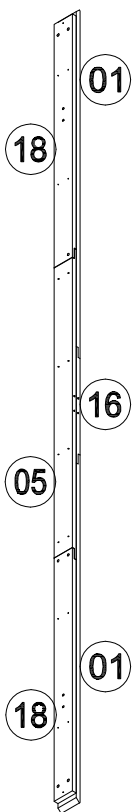
KK 8x

M8*25

<5>

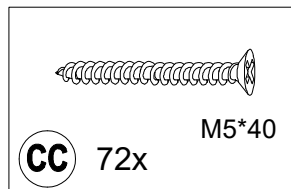
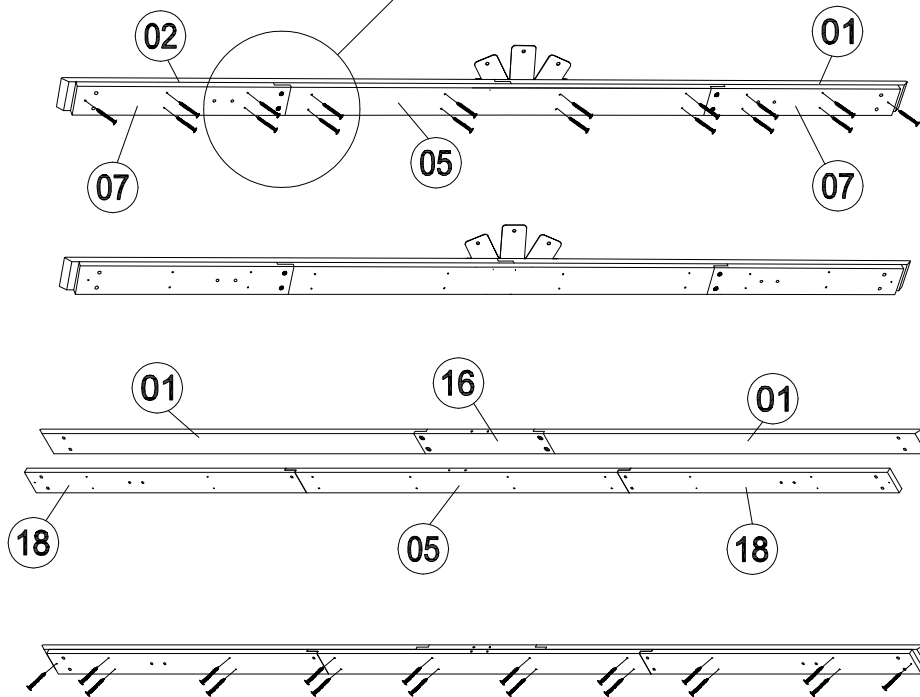
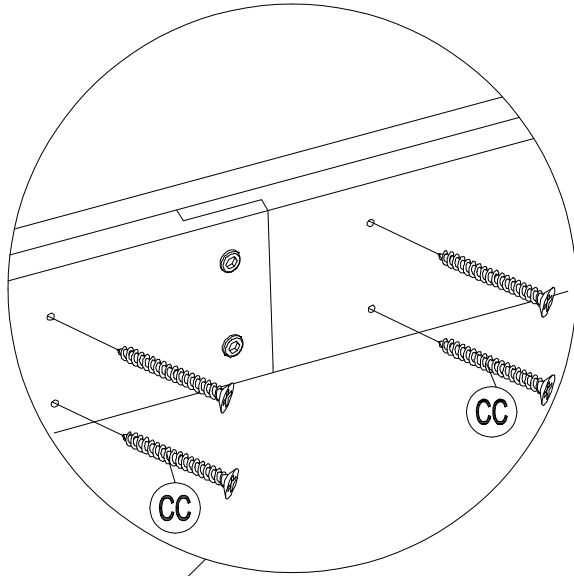


2x

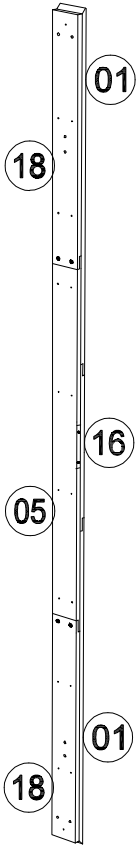


2x

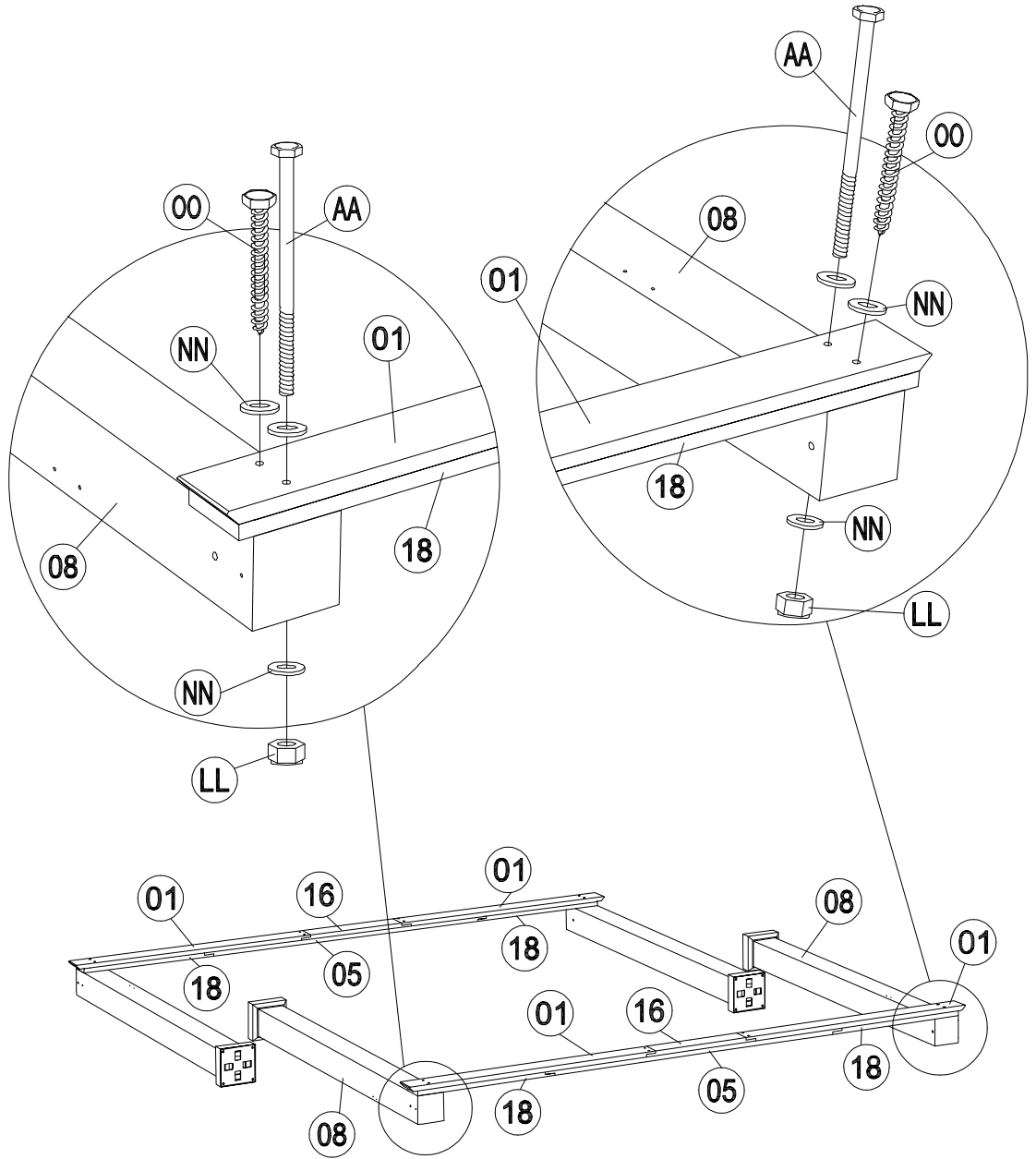
5






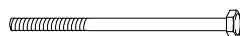
<6>



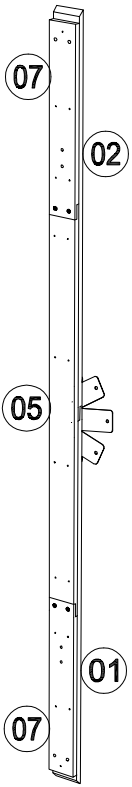
2x



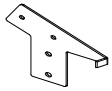
6

 LL 4x M10	 NN 12x M10
 OO 4x M10*80	 AA 4x M10*205

<7>



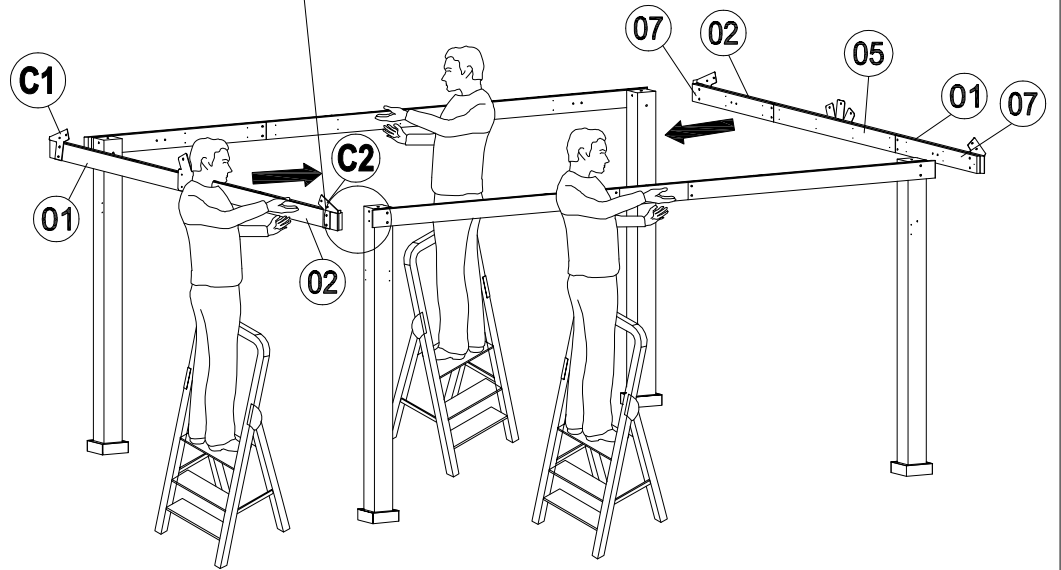
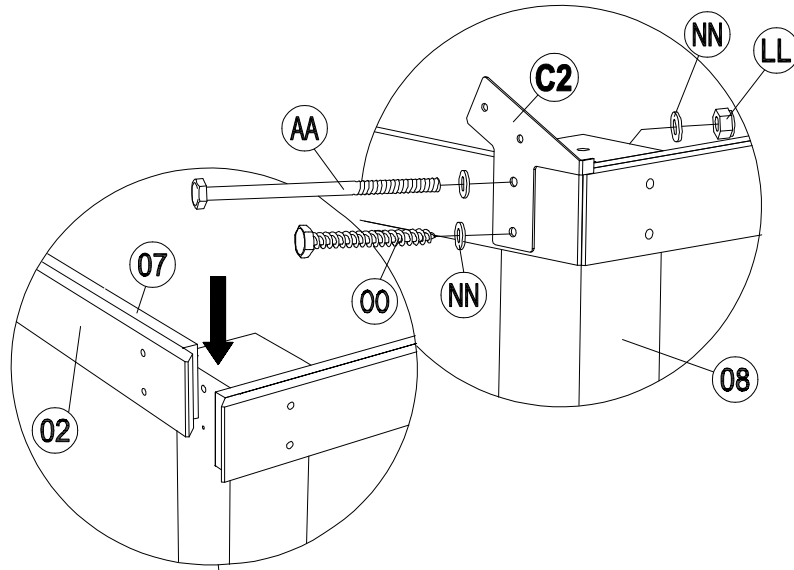
2x




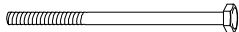


C1 2x



C2 2x

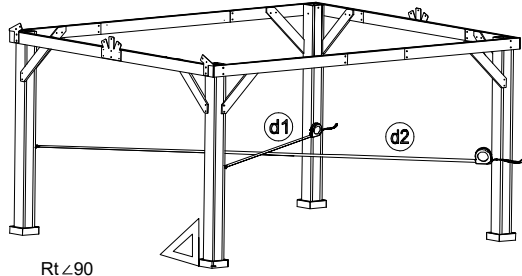


 LL 4x M10	 NN 12x M10
 OO 4x M10*80	 AA 4x M10*205

7

<8>

i d1=d2

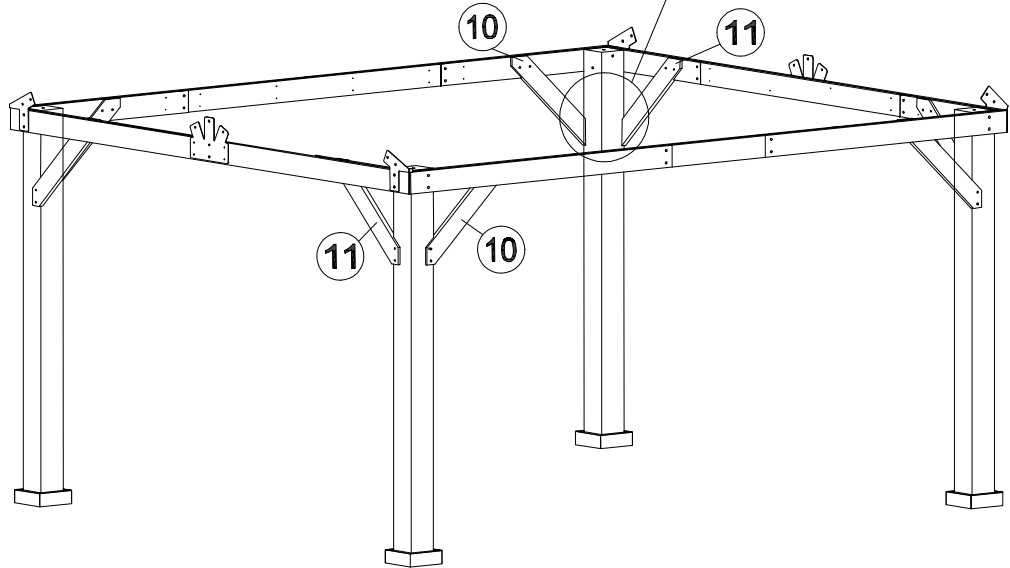
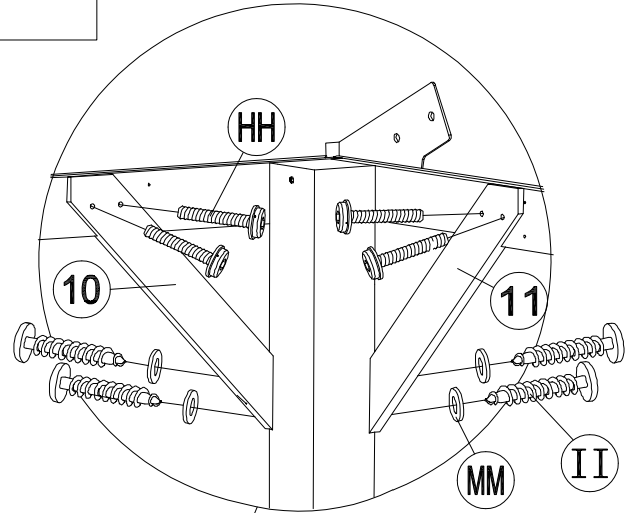


Rt $\angle 90$

10 4x



11 4x



8



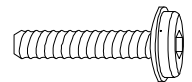
MM 16x

M8



II 16x

M8*35



HH 16x

M8*35

<9>



21 4x



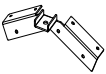
22 2x



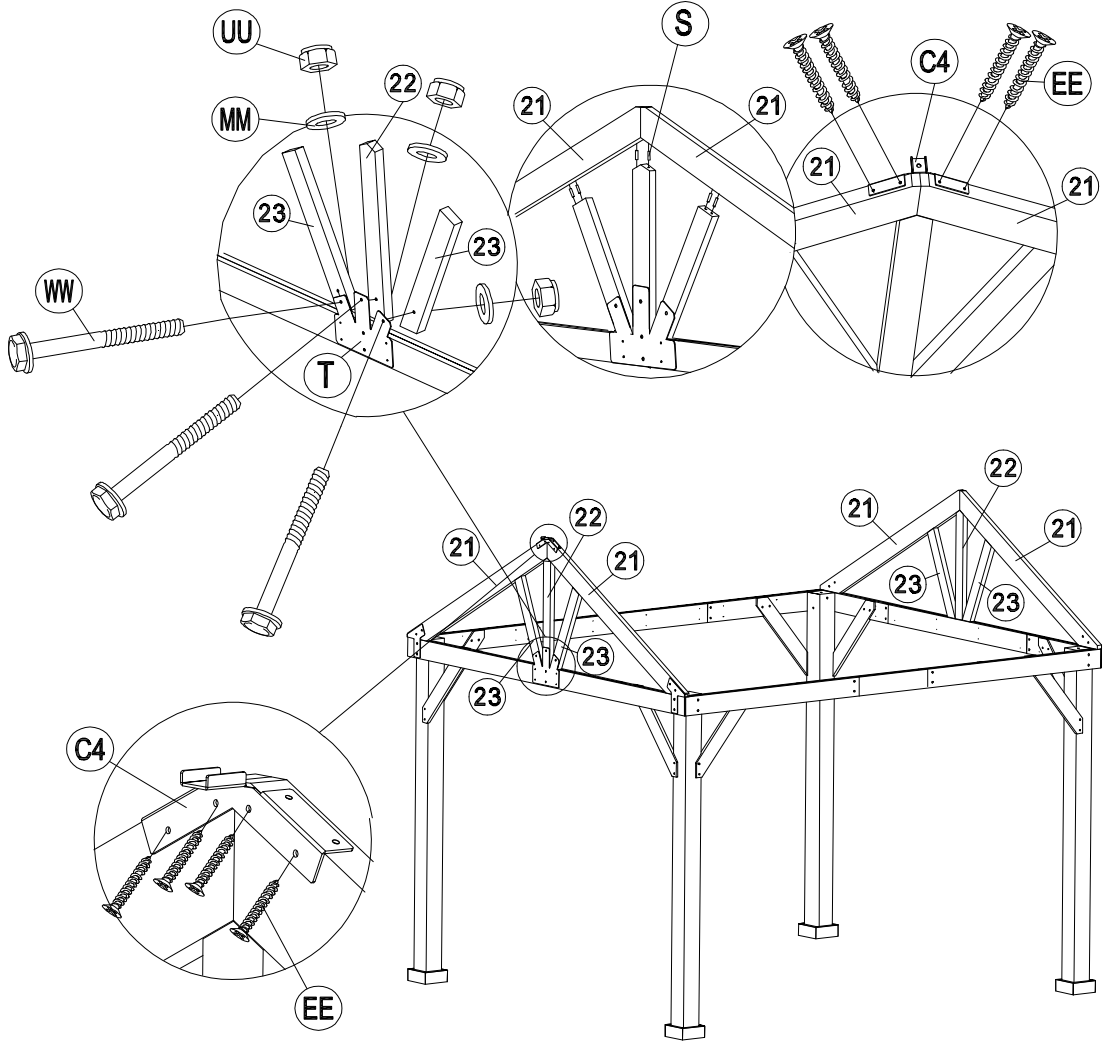
23 4x

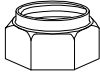


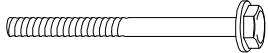


S 12x



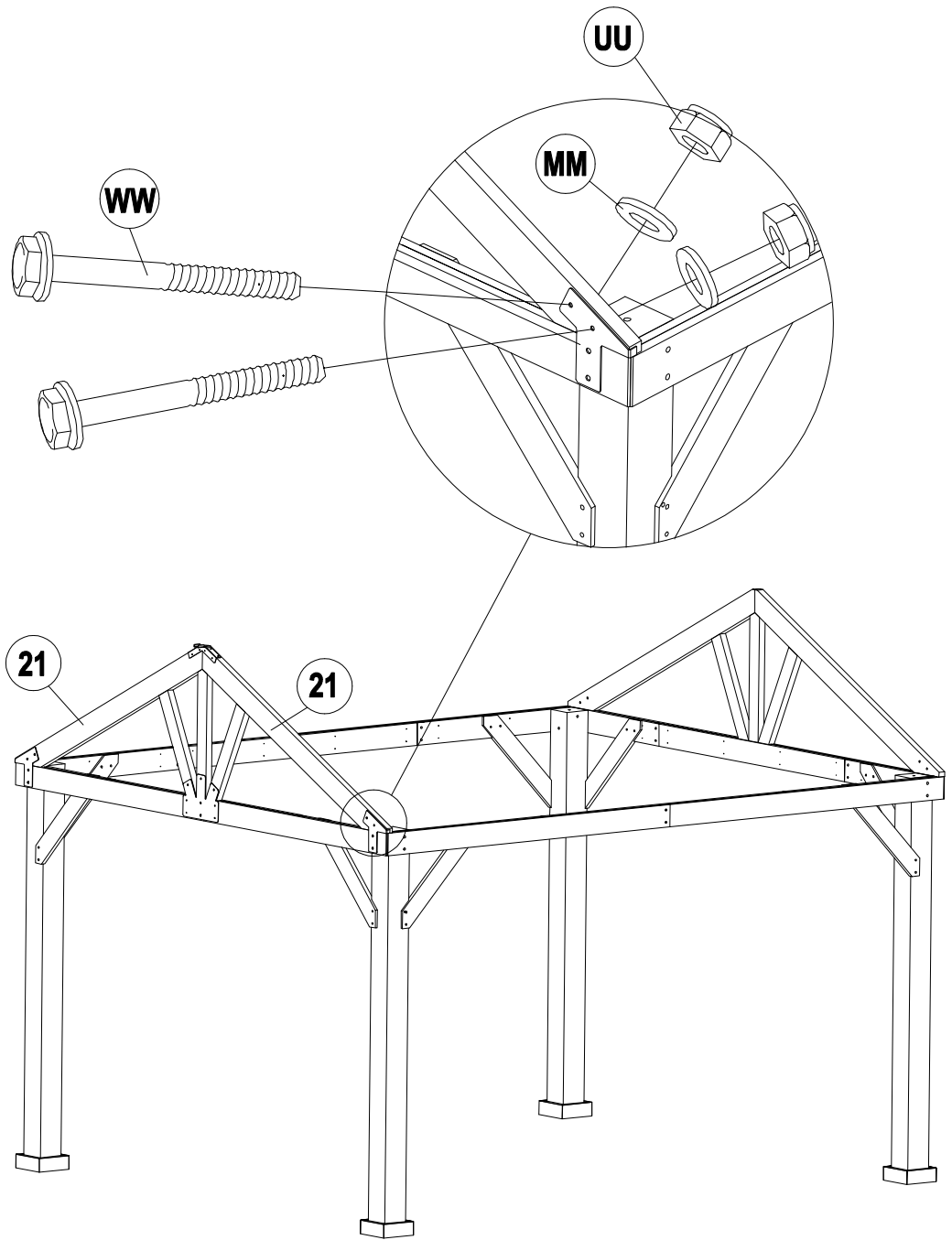
C4 2x



 UU 6x M8	 MM 6x M8
 EE 16x M5*30	 WW 6x M8*50

9

<10>



10



UU

8x

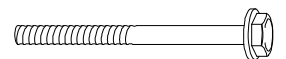
M8



MM

8x

M8



WW

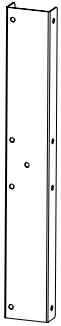
8x

M8*50

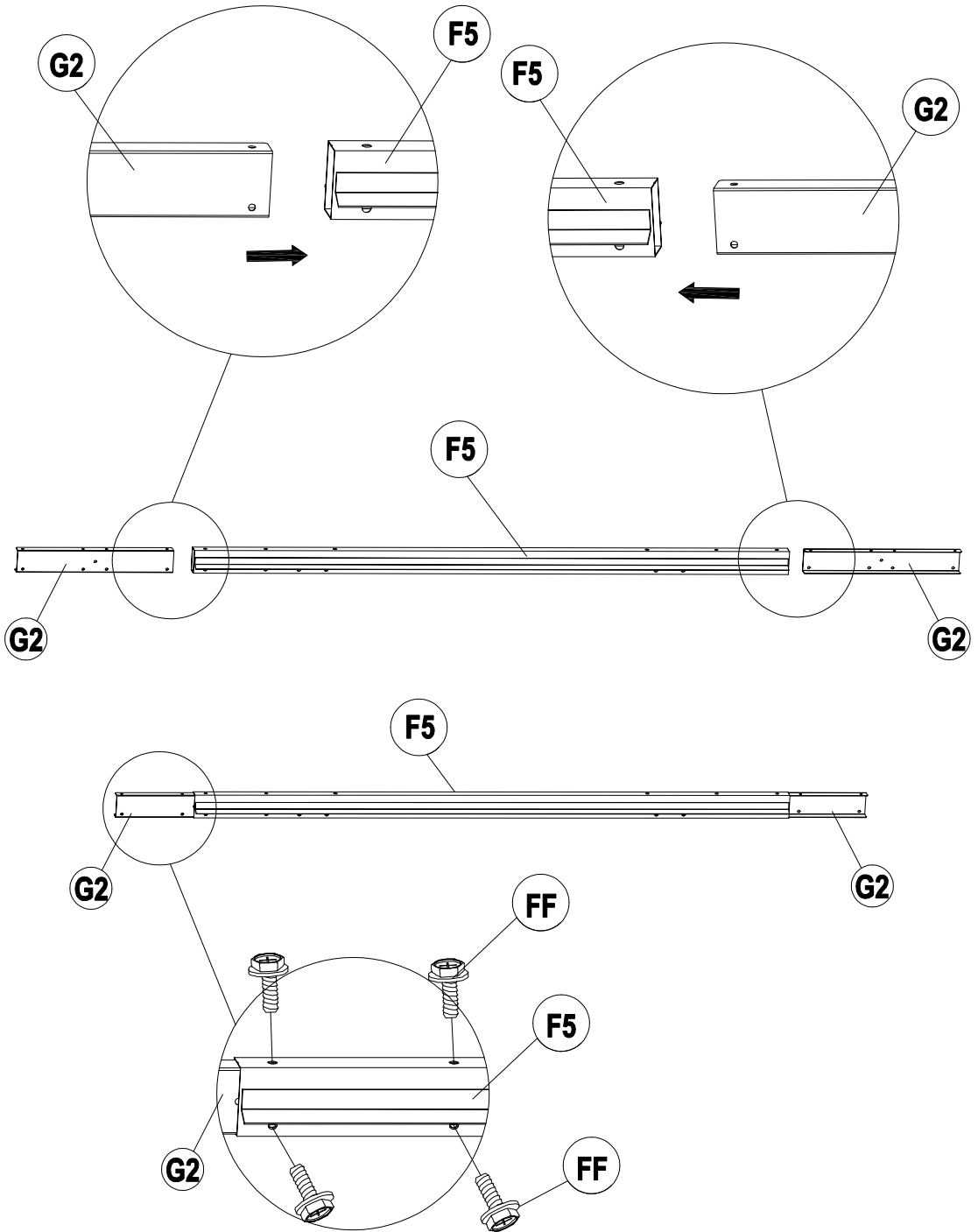
<11>



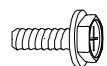
F5 1x



G2 2x



11



FF 8x

M6*15

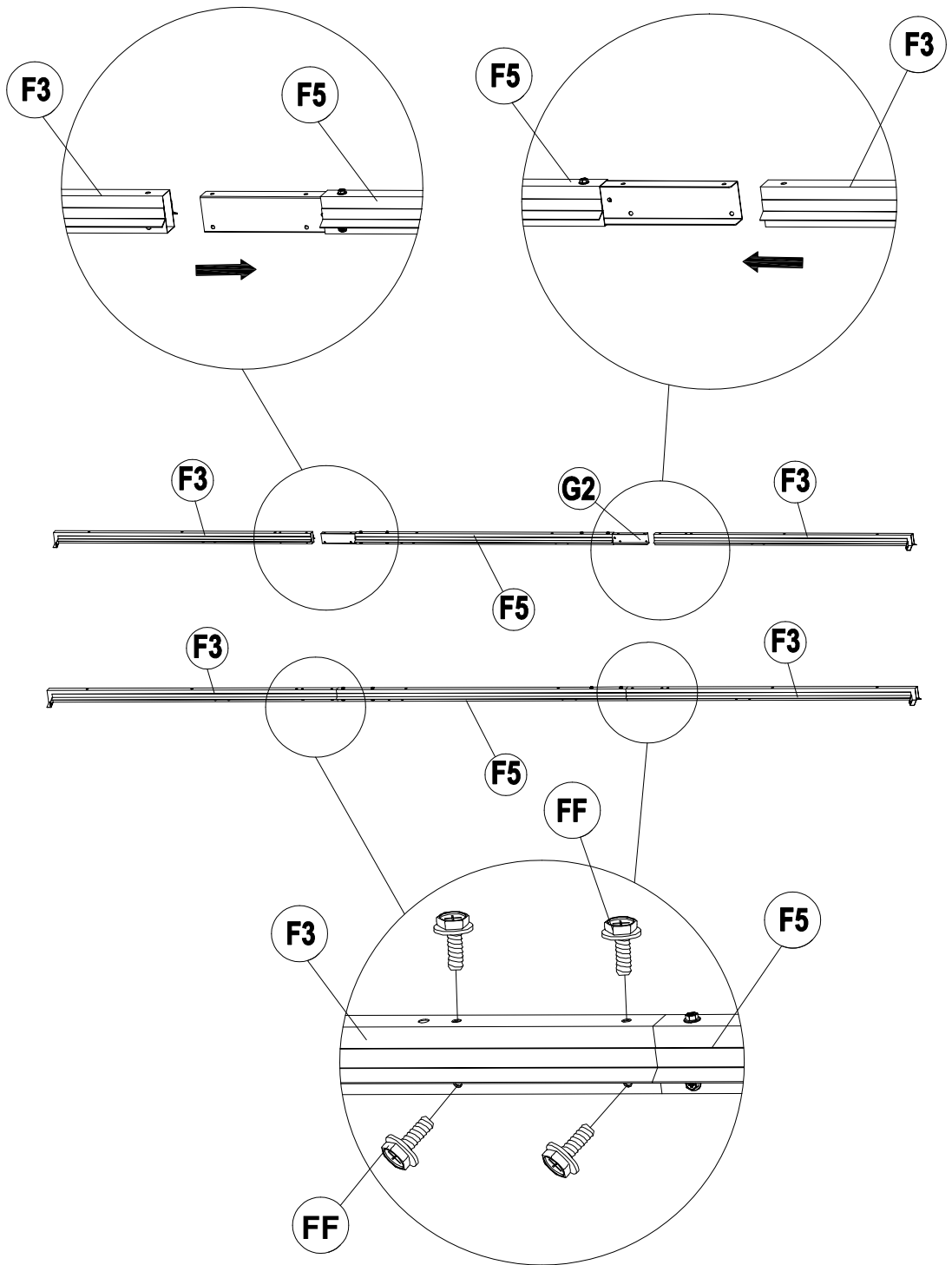
<12>



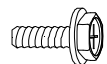
1x



F3 2x



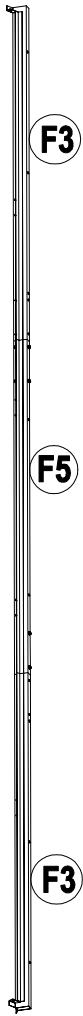
12



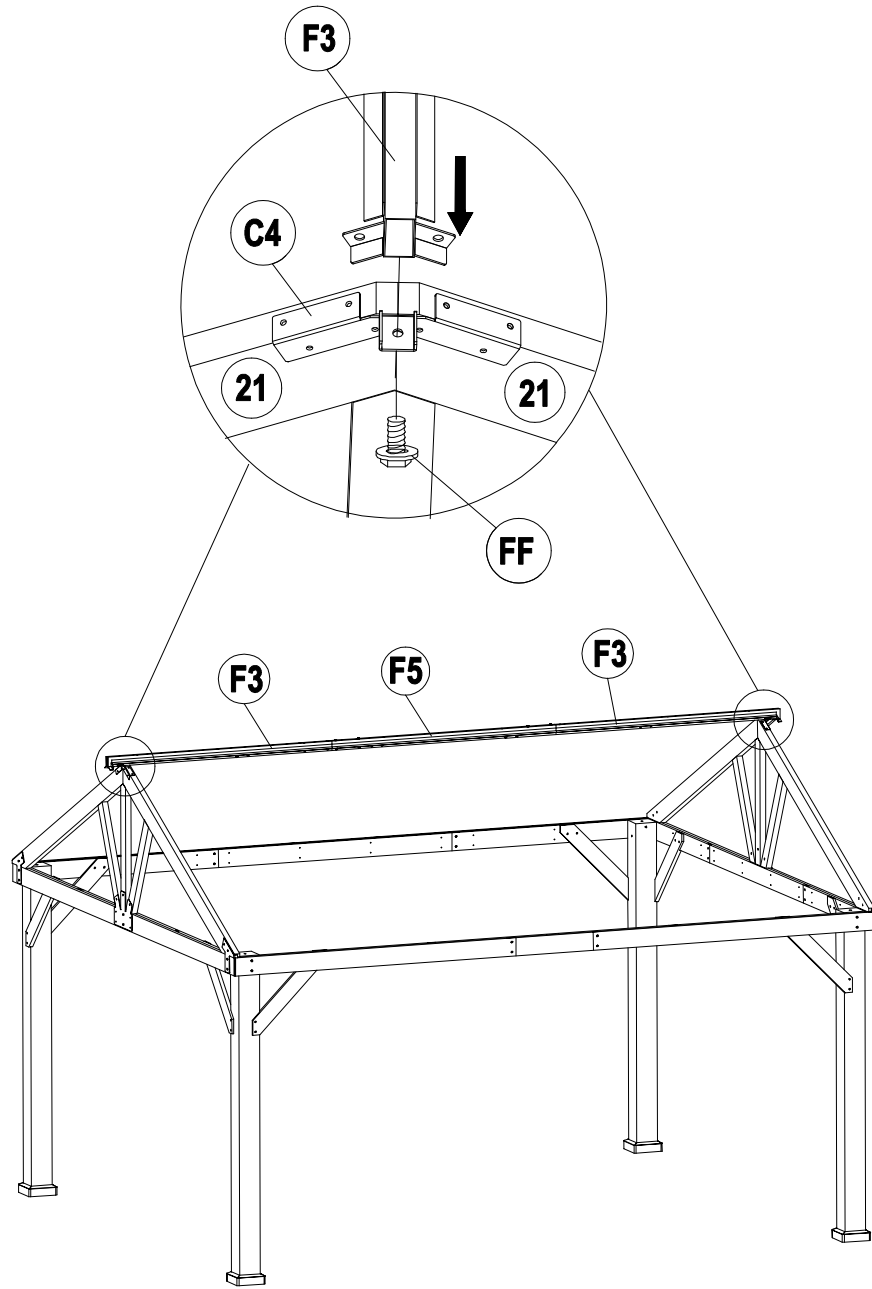
FF 8x

M6*15

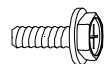
<13>



1x



13



FF 2x

M6*15

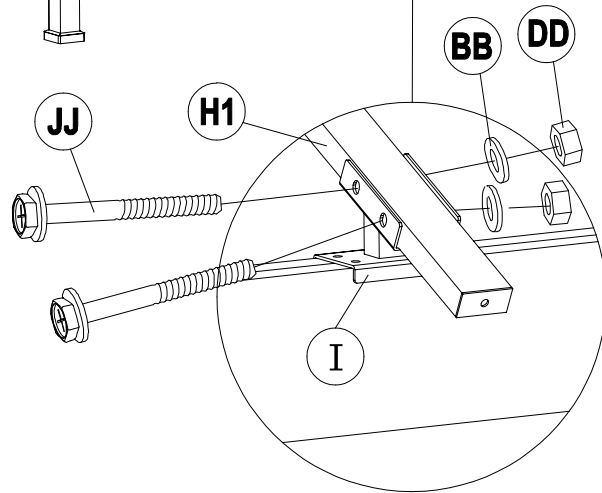
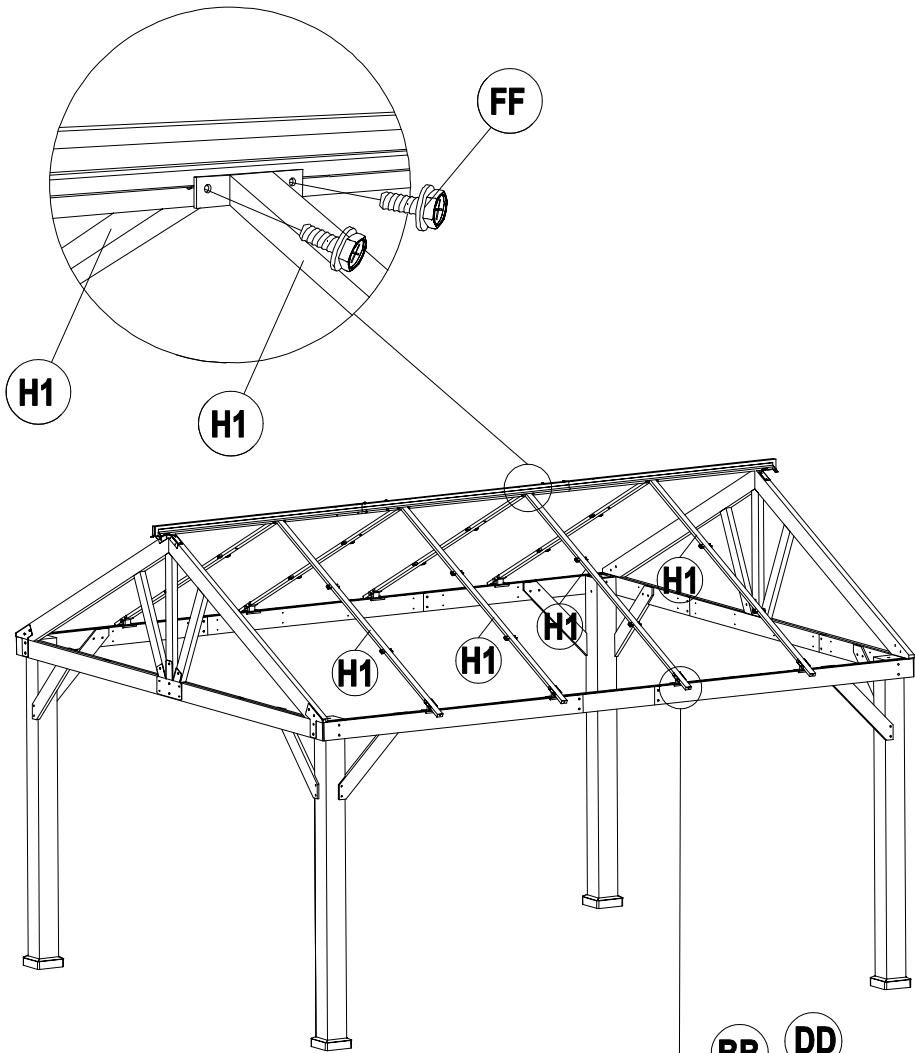
<14>

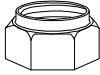

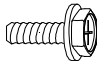
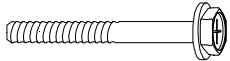


H1 8x



I 8x



 DD 16x M6	 BB 16x M6
 FF 16x M6*15	 JJ 16x M6*55

14

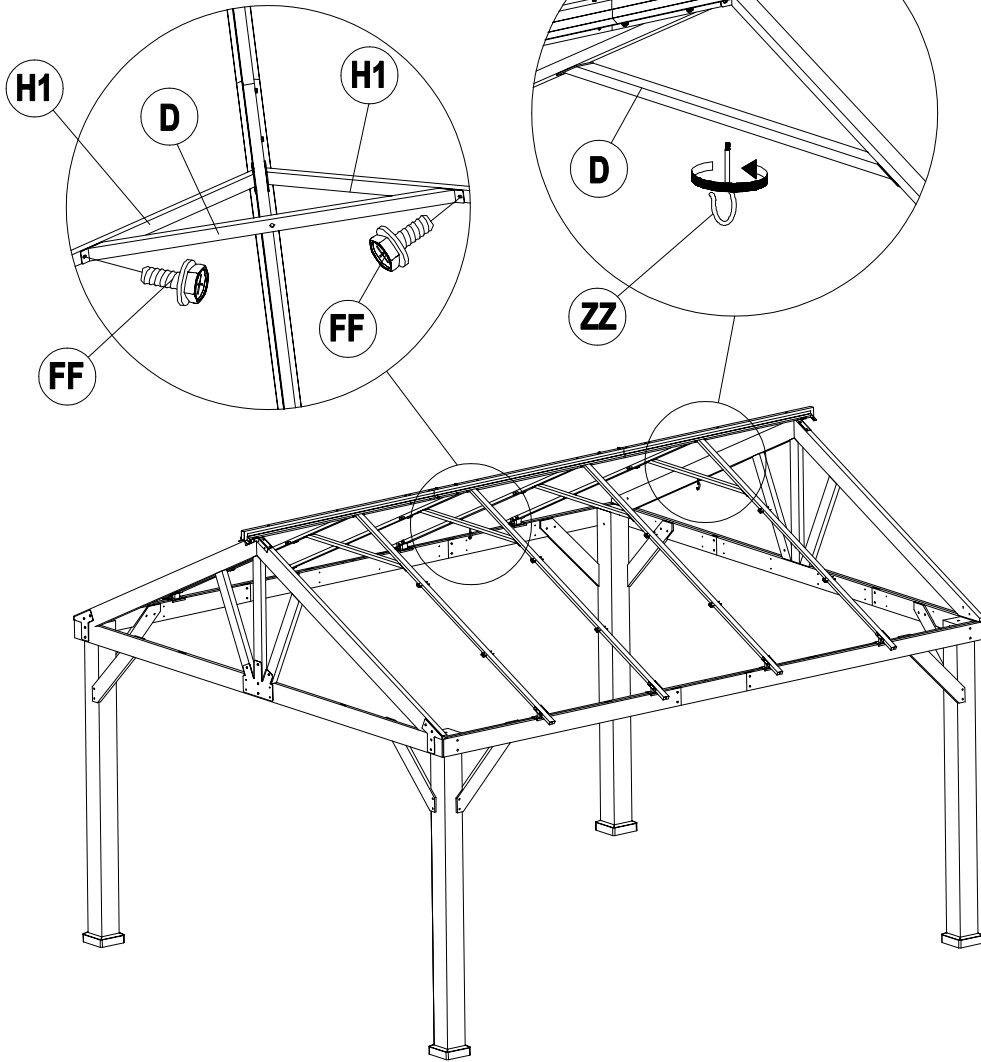
<15>



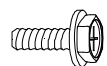
D 4x



ZZ 2x



15



FF 8x

M6*15

<16>

N1 6x

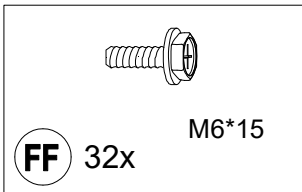
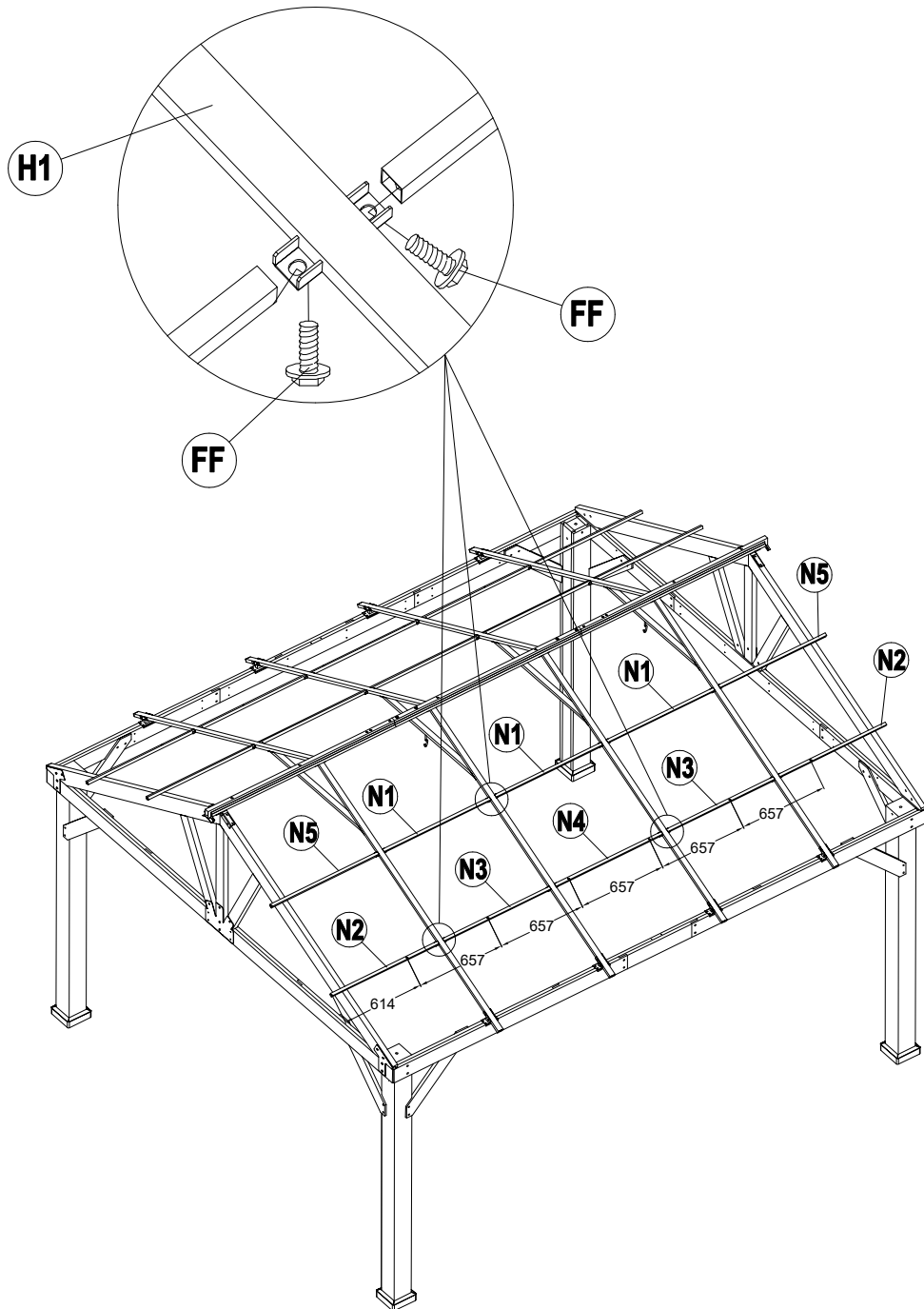
N2 4x

N3 4x

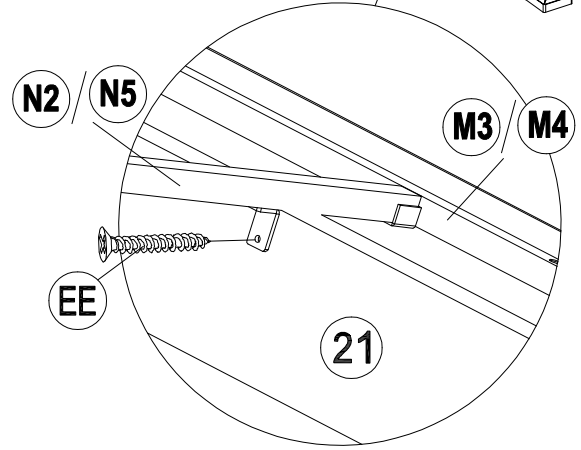
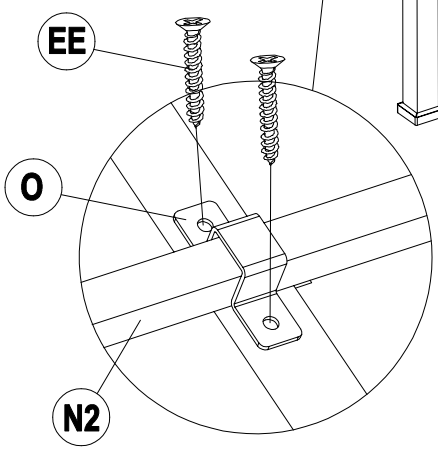
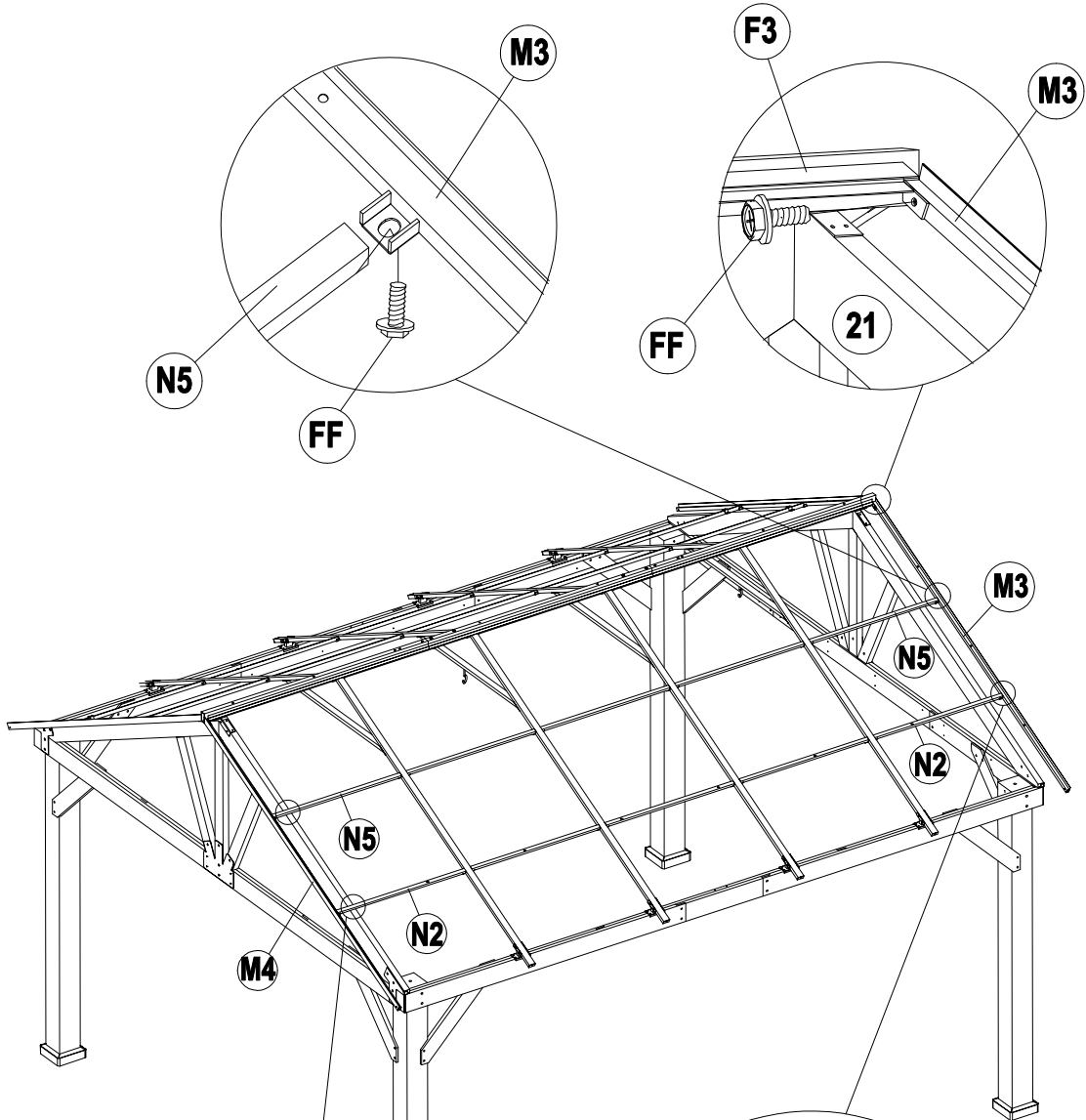
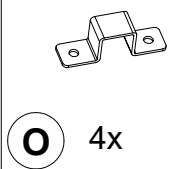
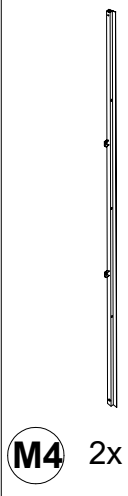
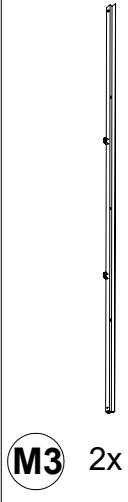
N4 2x

N5 4x

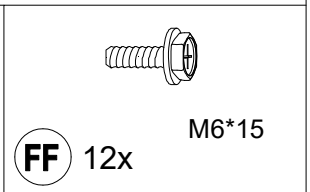
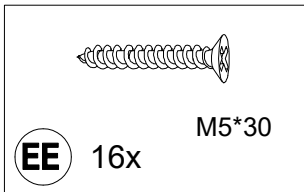
16



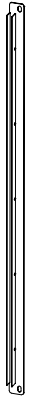
<17>



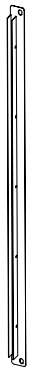
17



<18>



L1 6x



L2 4x



J1 8x

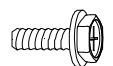
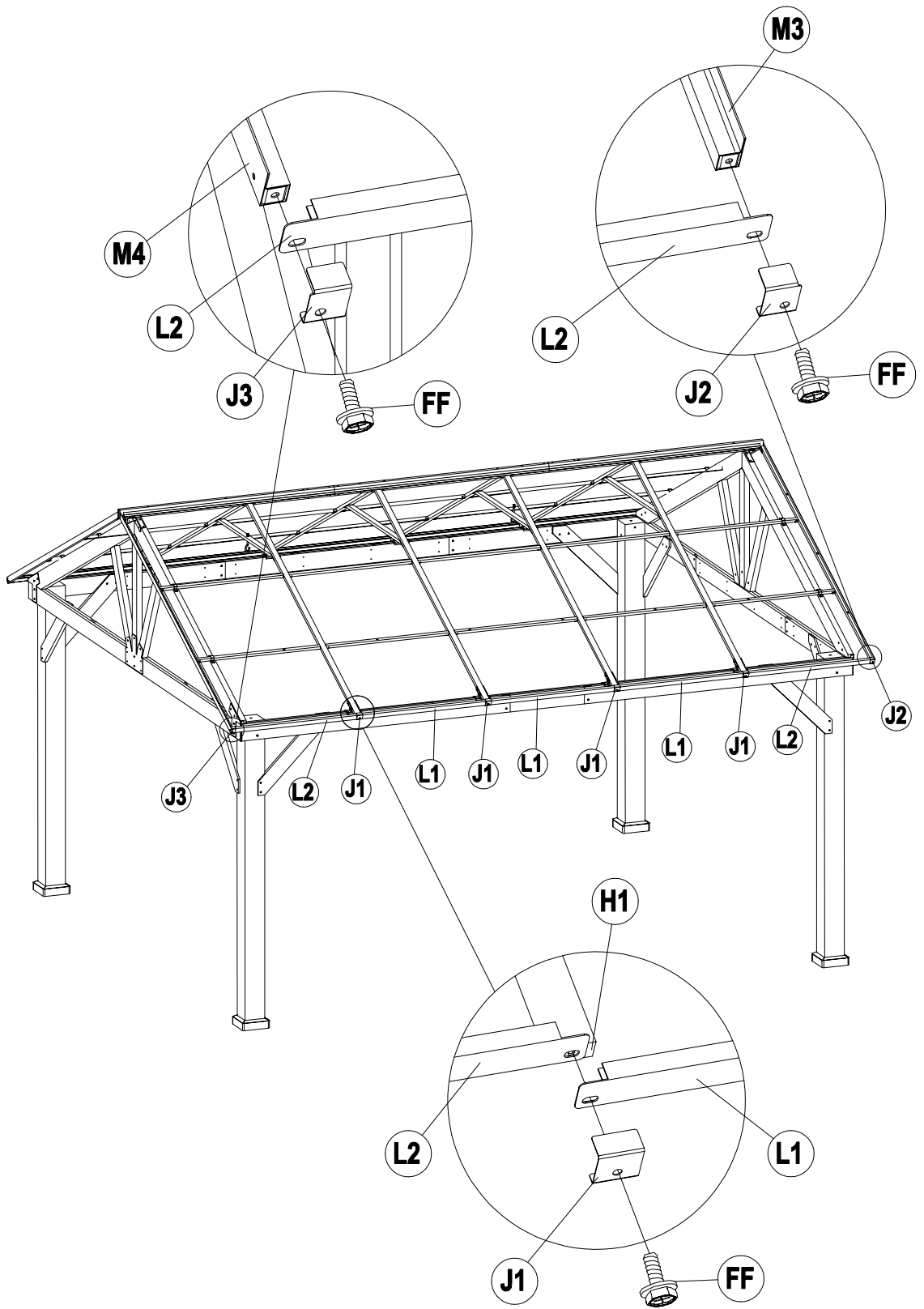


J2 2x



J3 2x

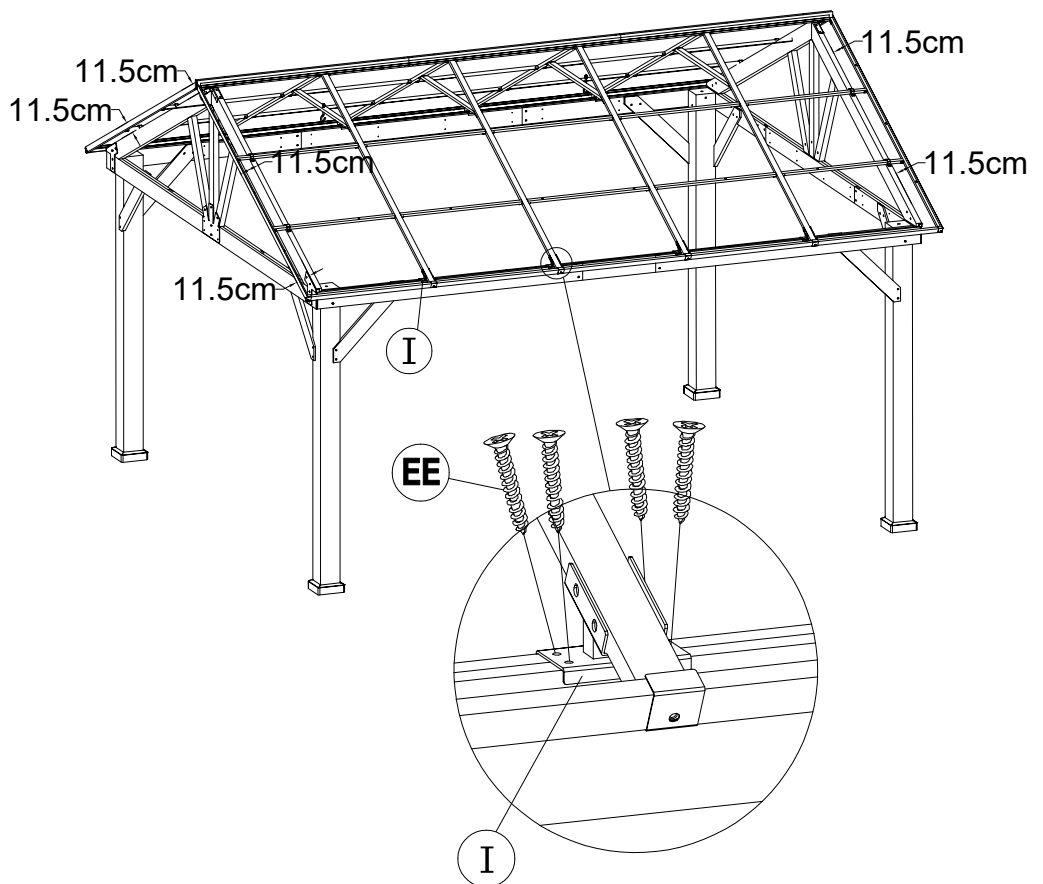
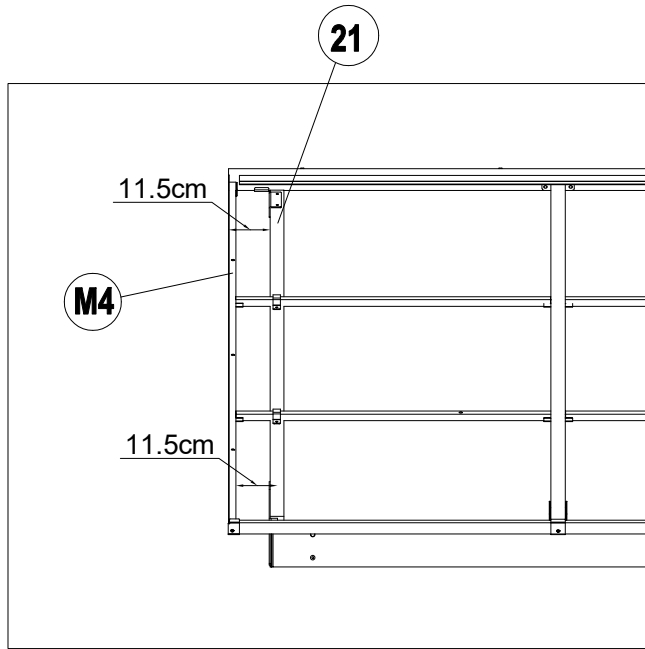
18



FF 12x

M6*15

<19>



19



EE 32x

M5*30

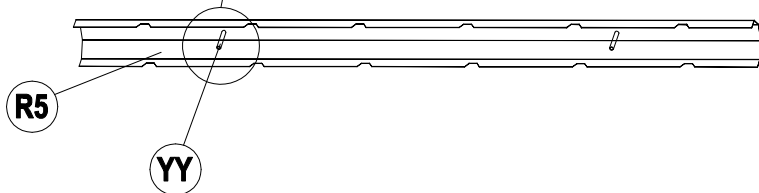
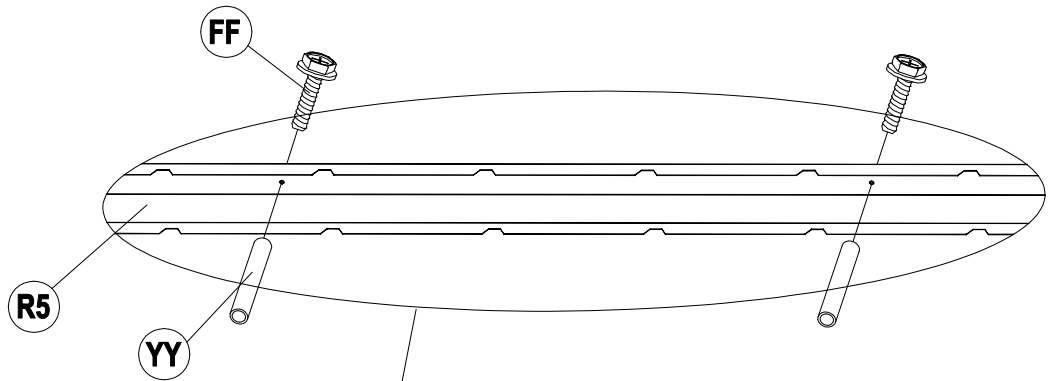
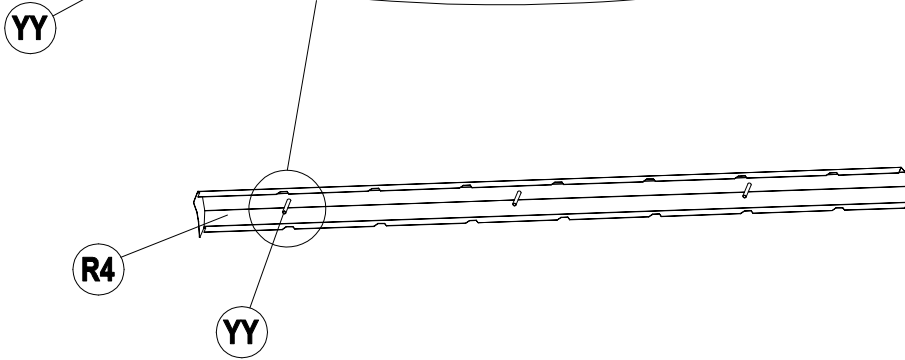
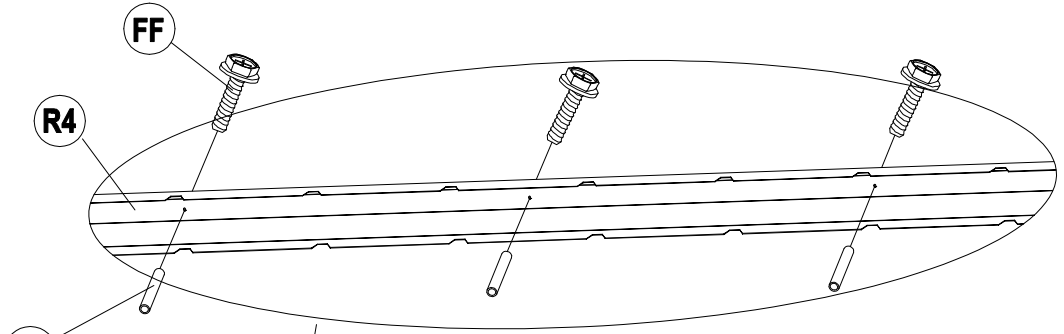
<20>



R4 2x



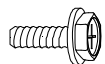
R5 1x



20



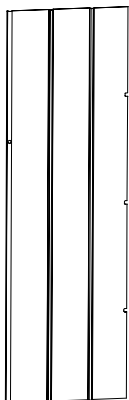
YY 8x



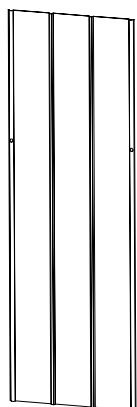
FF 8x

M6*15

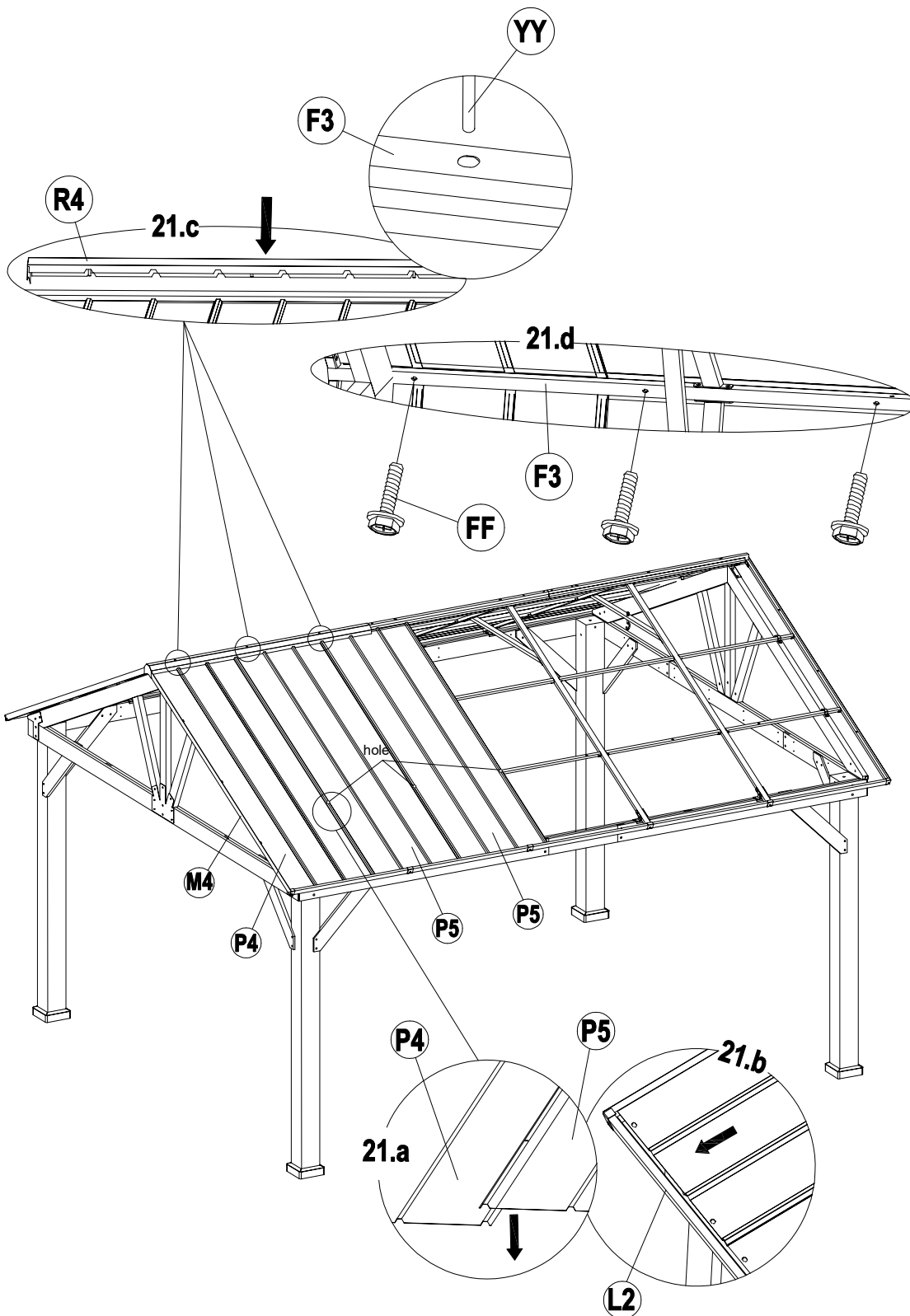
<21>



P4 2x



P5 4x



21



FF 3x

M6*15

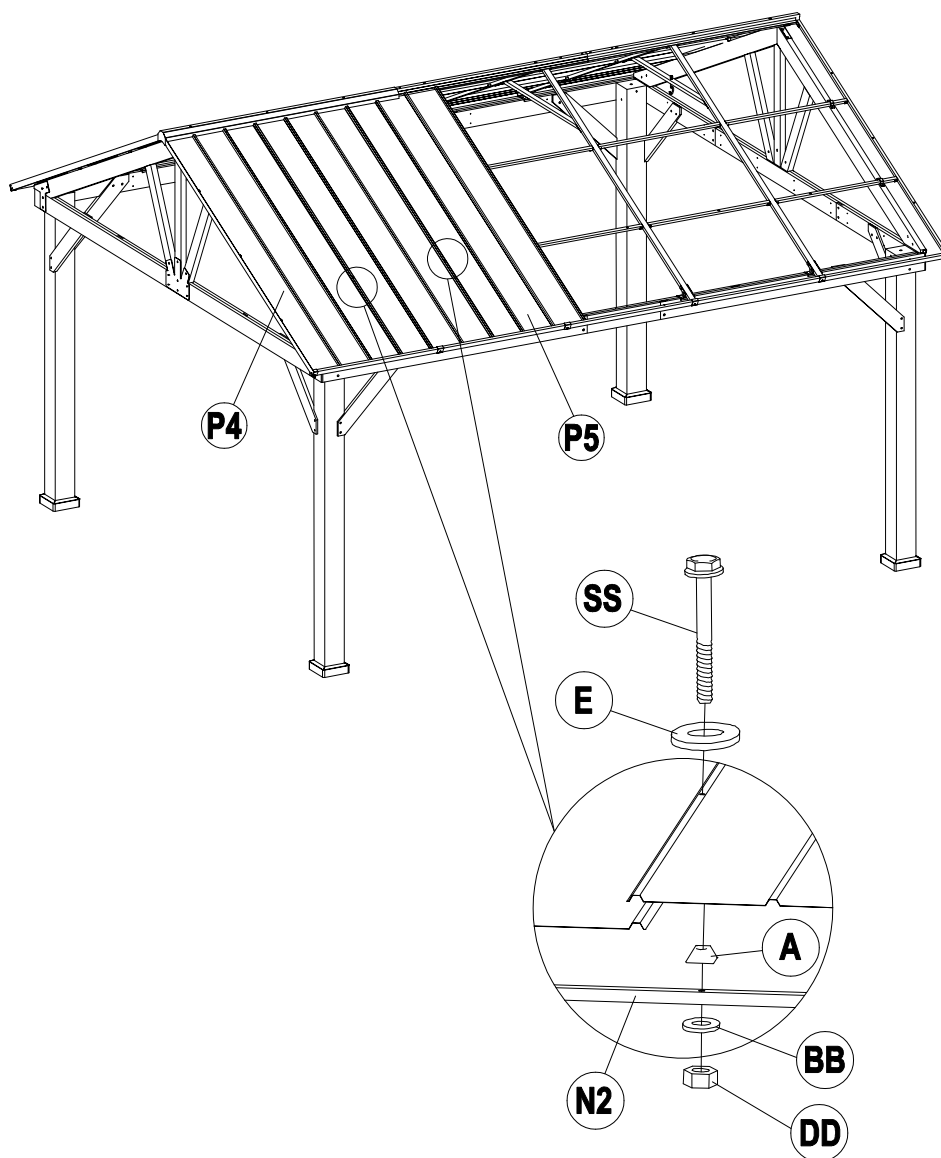


<22>

A 4x



E 4x



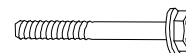
22



DD 4x M6

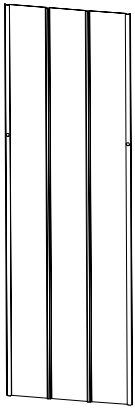


BB 4x M6



SS 4x M6*45

<23>



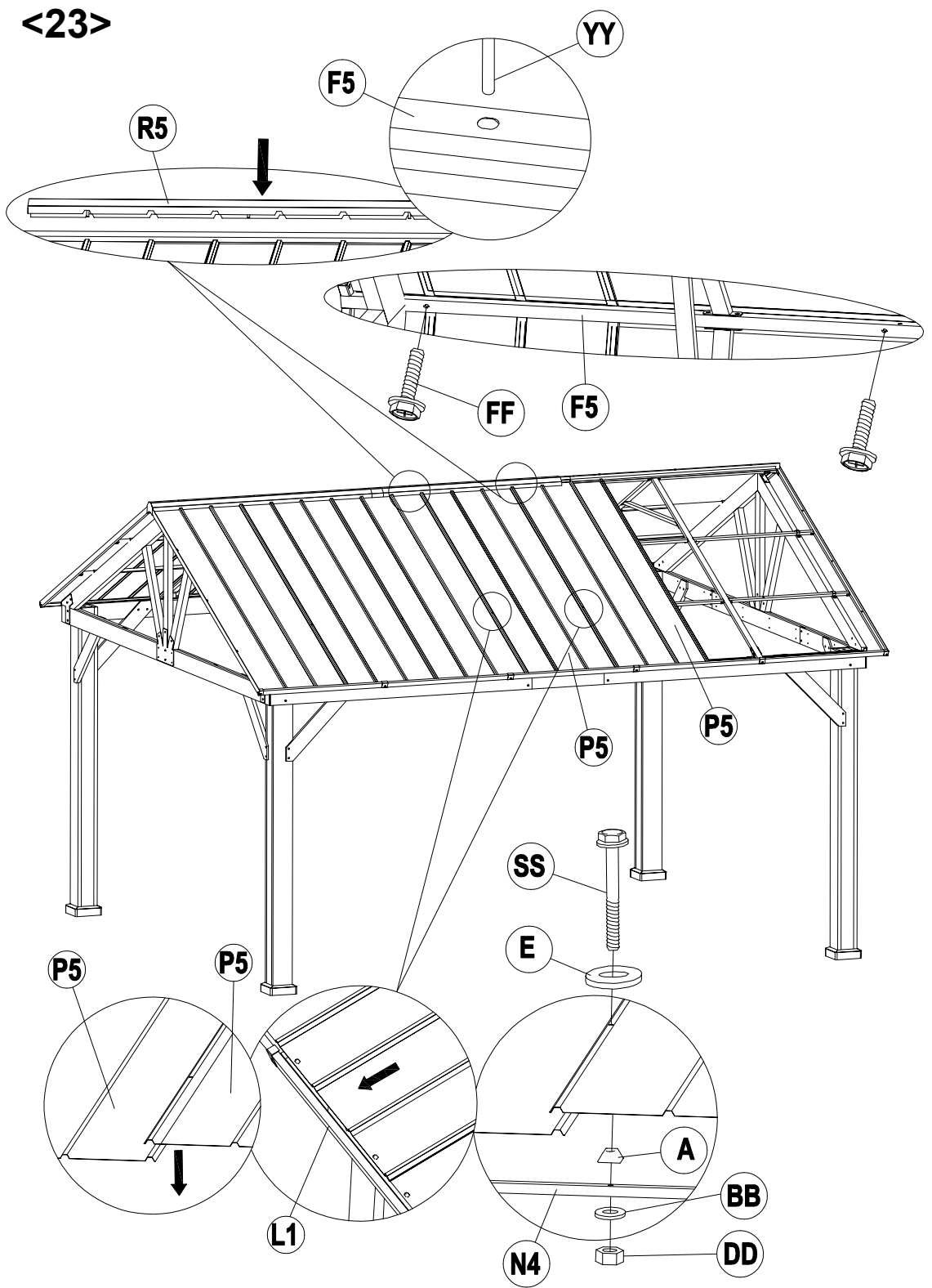
P5 4x

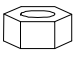

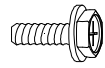
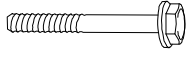


A 4x



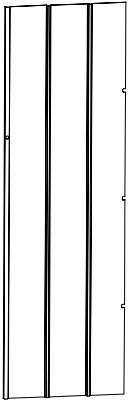
E 4x



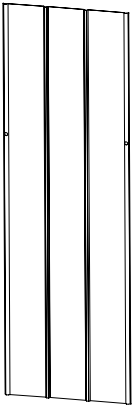
 DD 4x M6	 BB 4x M6
 FF 2x M6*15	 SS 4x M6*45

23

<24>



P3 2x



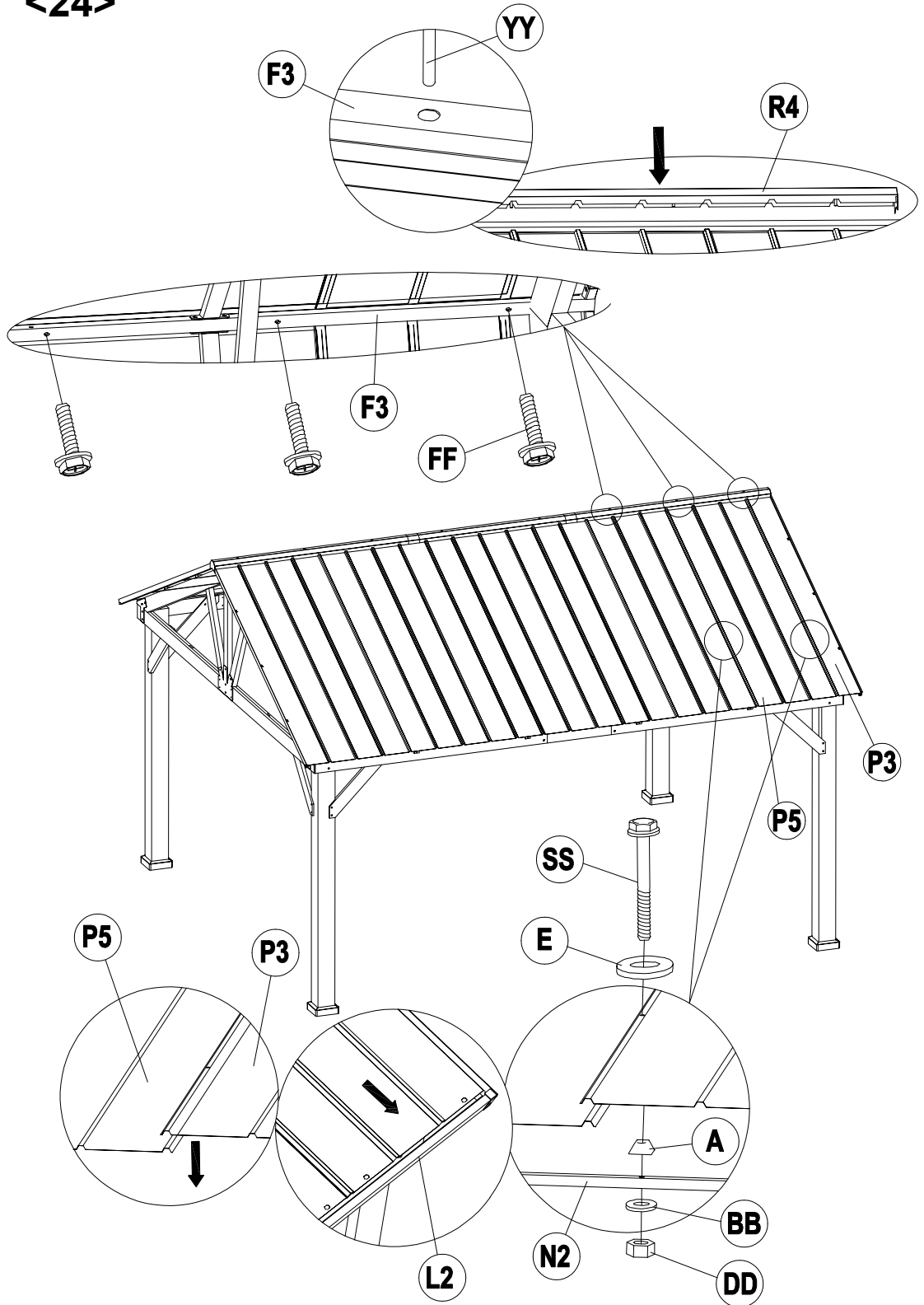
P5 2x

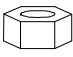

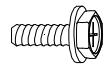
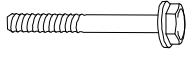


A 4x



E 4x



 DD 4x M6	 BB 4x M6
 FF 3x M6*15	 SS 4x M6*45

24

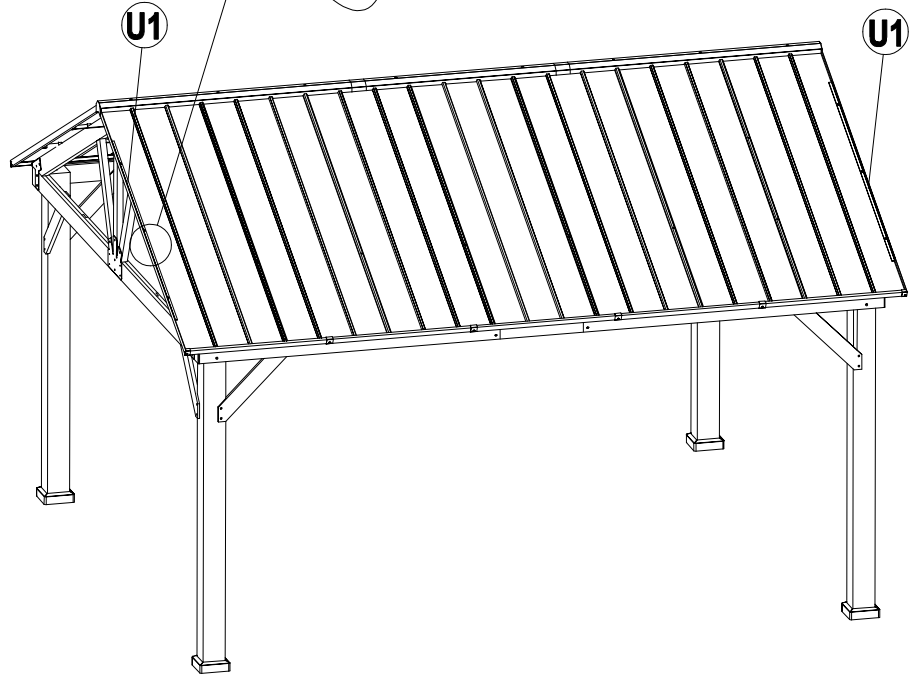
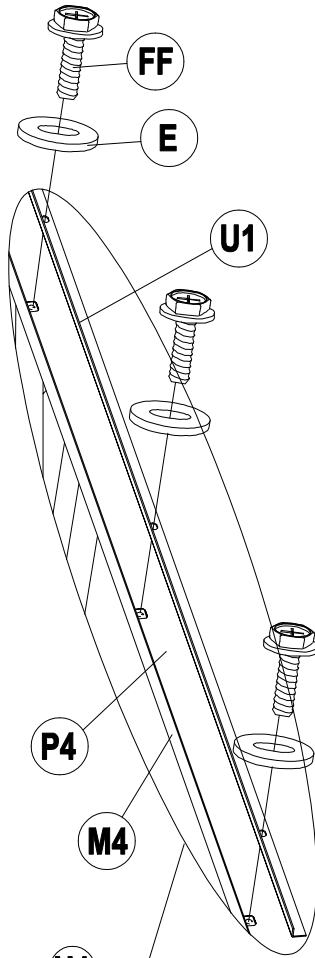
<25>



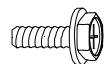
U1 4x



E 12x



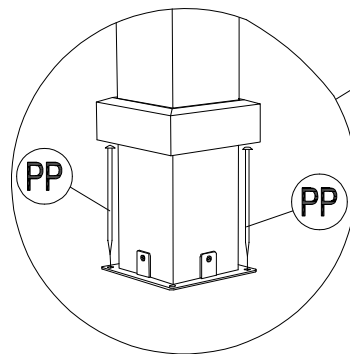
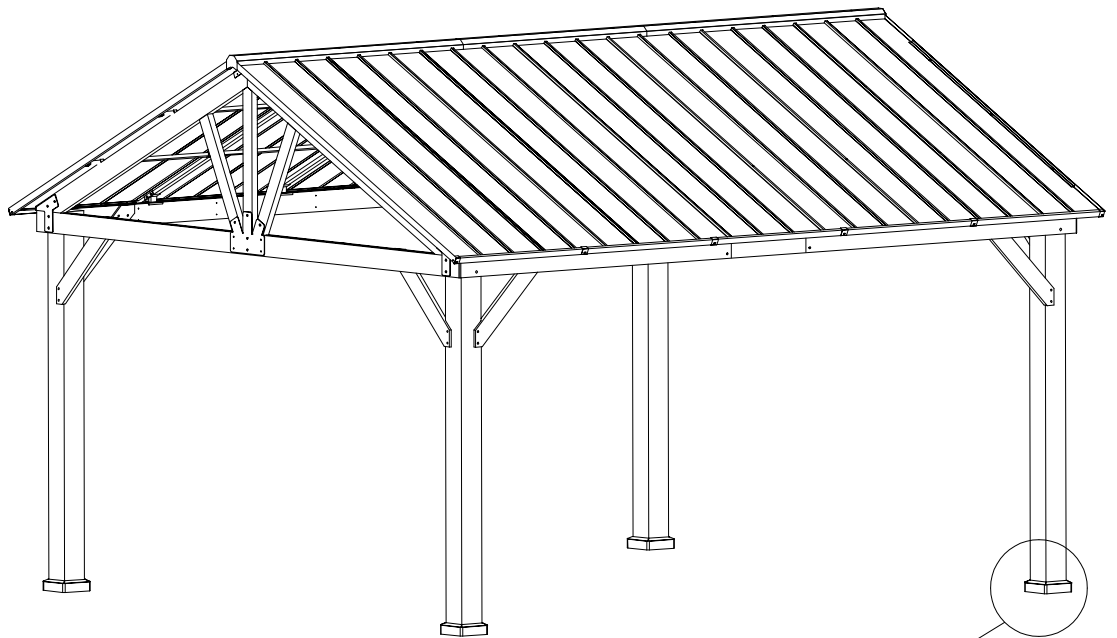
25



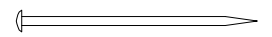
FF 12x

M6*15

<26>



26



Φ8*180

PP 8x