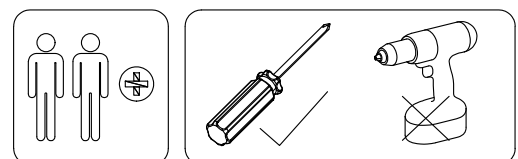
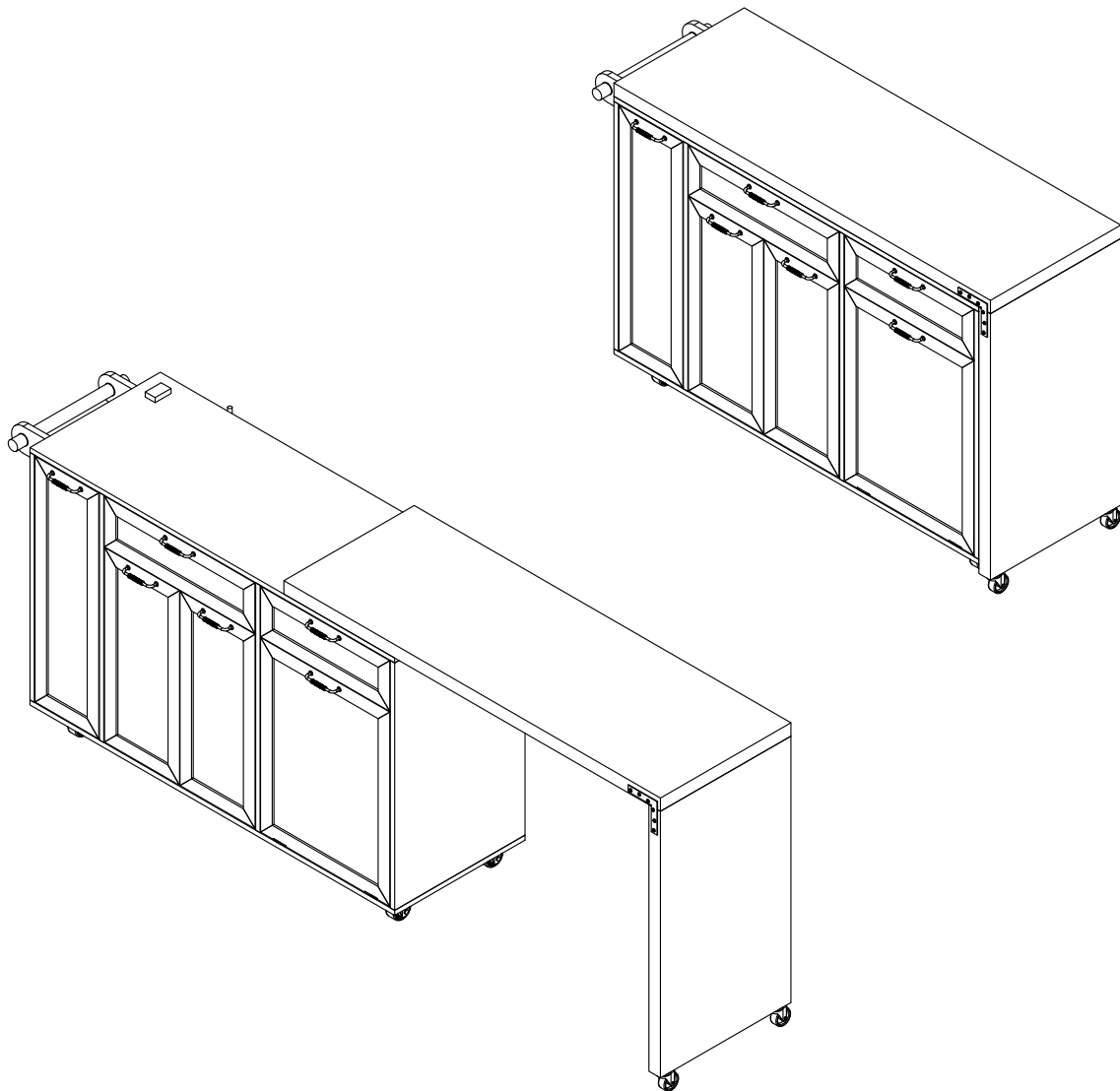
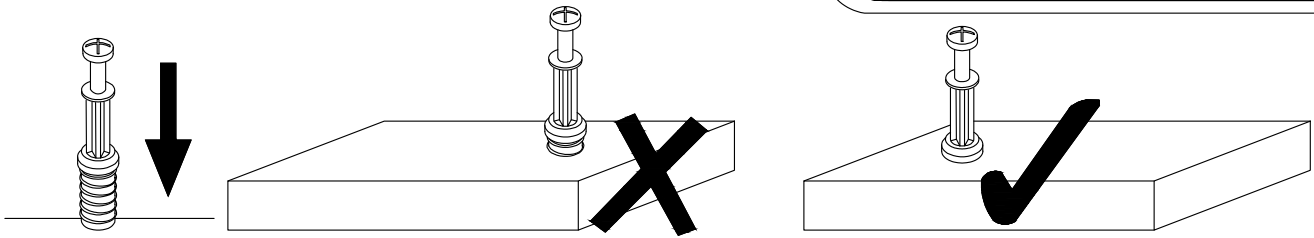


Kitchen Cart

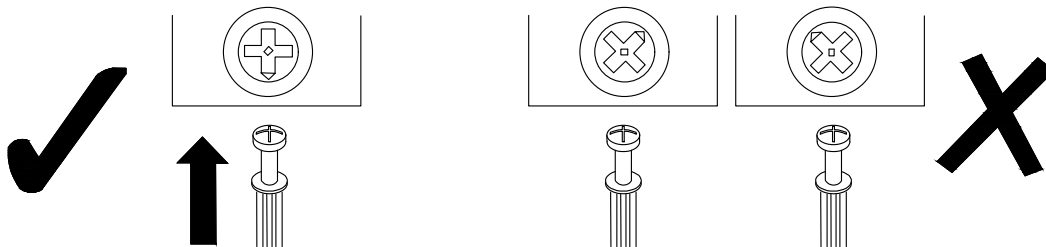
Assembly instructions-Please keep for future reference



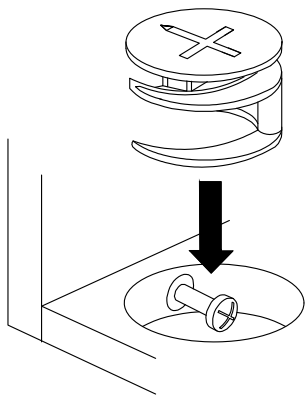
Important-Please read these instructions fully before starting assembly



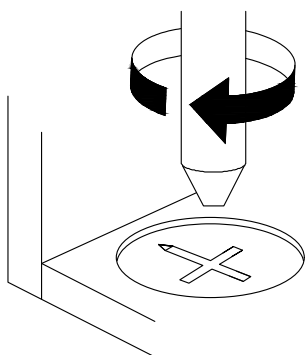
QUICKFIT: Tighten quickfit until shoulder is flush with panel. Do not overtighten or undertighten.



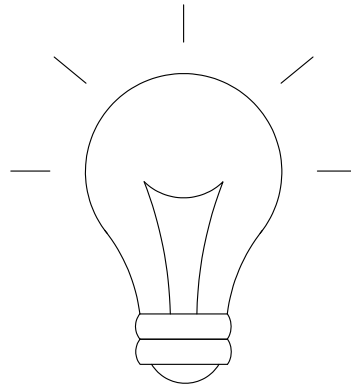
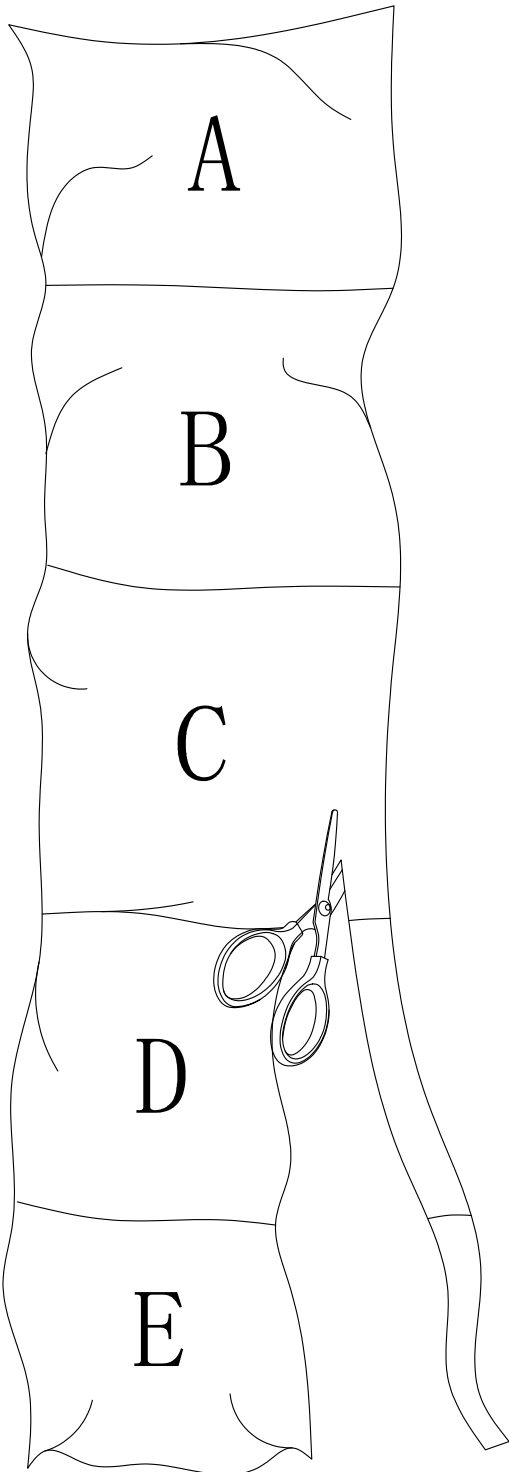
LOCK: When fitting cam lock, ensure starting position is correct before you insert connecting quickfit.



Quickfit head should be in the centre of the cam lock when the two panels are joined. Cam lock should be inserted before quickfit.



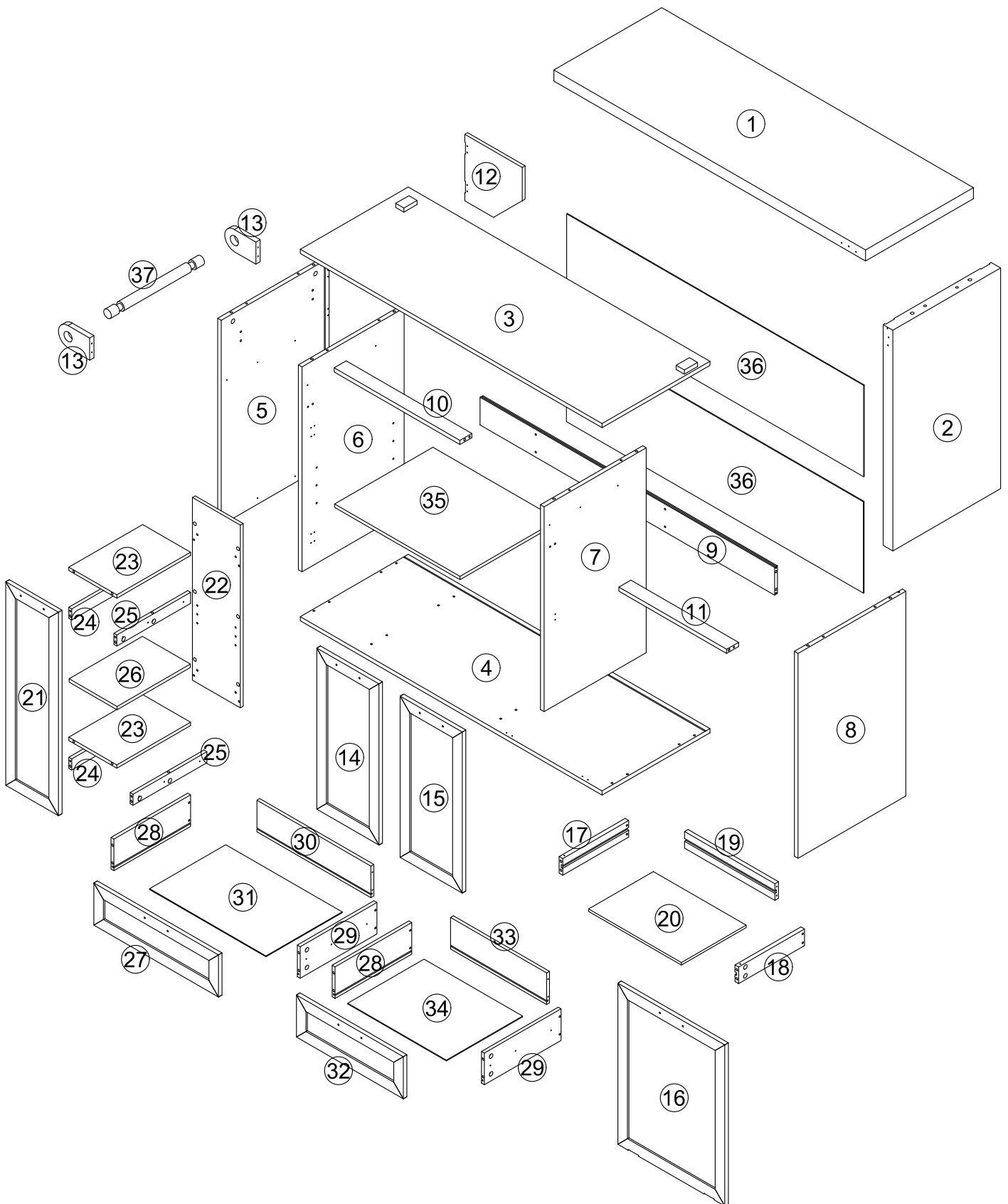
Turn cam lock clockwise to tighten.

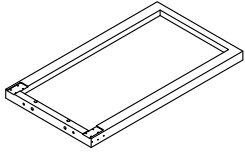
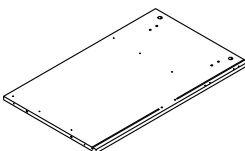
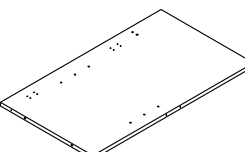
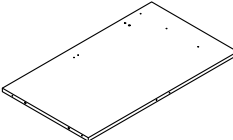
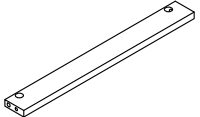
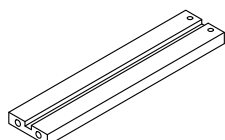
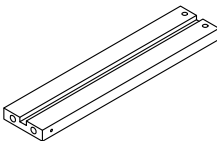


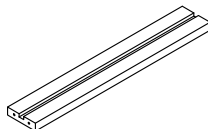
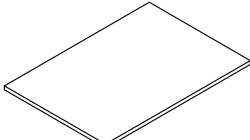
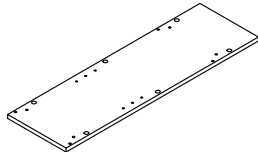
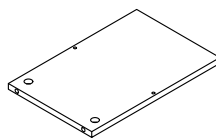
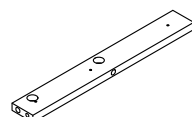
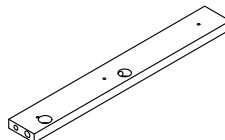
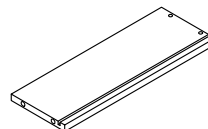
friendly reminder

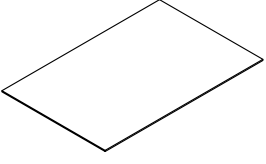
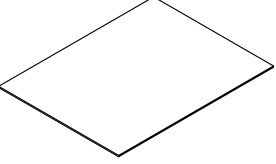
To avoid errors and confusion during the installation of accessories, use the type and quantity of hardware accessories according to the installation procedure described in the instructions. First, unroll the accessories bag and lay out the hardware accessories, cut holes in the side, and take out the hardware accessories

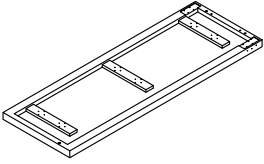
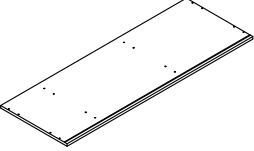
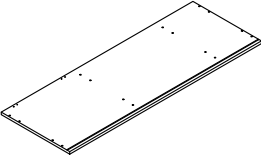
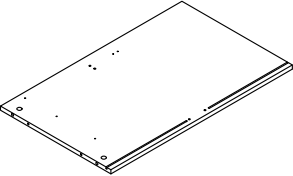
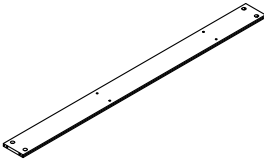
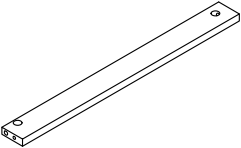
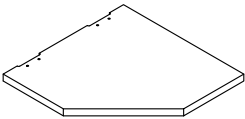
Assembly Instructions

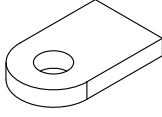
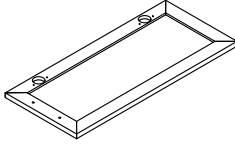
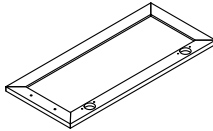
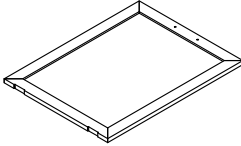
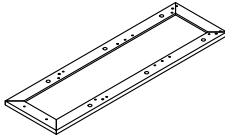
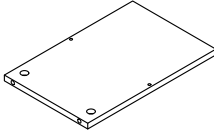
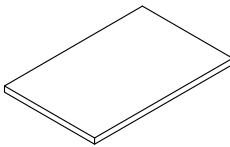


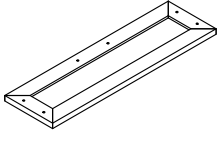
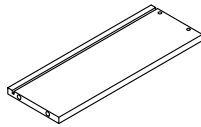
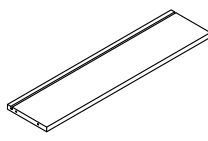
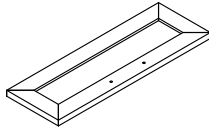
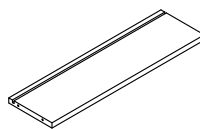
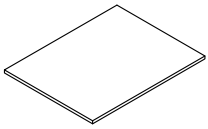
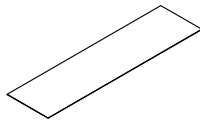
NO.	PARTS	QTY
2		x1
5		x1
6		x1
7		x1
11		x1
17		x1
18		x1

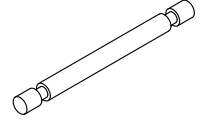
NO.	PARTS	QTY
19		x1
20		x1
22		x1
23		x1
24		x2
25		x2
28		x2

NO.	PARTS	QTY
31		x1
NO.	PARTS	QTY
34		x1

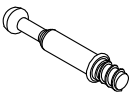
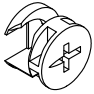
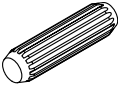





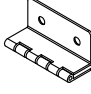
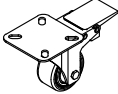
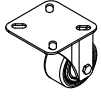


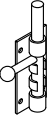
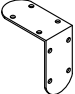
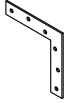

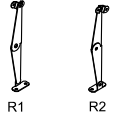


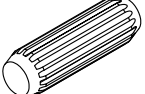




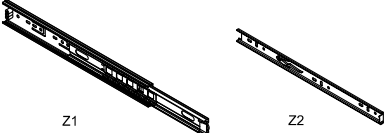
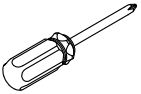
NO.	PARTS	QTY
①		x1
NO.	PARTS	QTY
③		x1
NO.	PARTS	QTY
④		x1
NO.	PARTS	QTY
⑧		x1
NO.	PARTS	QTY
⑨		x1
NO.	PARTS	QTY
⑩		x1
NO.	PARTS	QTY
⑫		x1

NO.	PARTS	QTY
⑬		x2
NO.	PARTS	QTY
⑭		x1
NO.	PARTS	QTY
⑮		x1
NO.	PARTS	QTY
⑯		x1
NO.	PARTS	QTY
⑳		x1
NO.	PARTS	QTY
㉓		x1
NO.	PARTS	QTY
㉖		x1

NO.	PARTS	QTY
27		x1
29		x2
30		x1
32		x1
33		x1
35		x1
36		x2

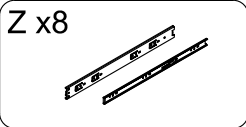
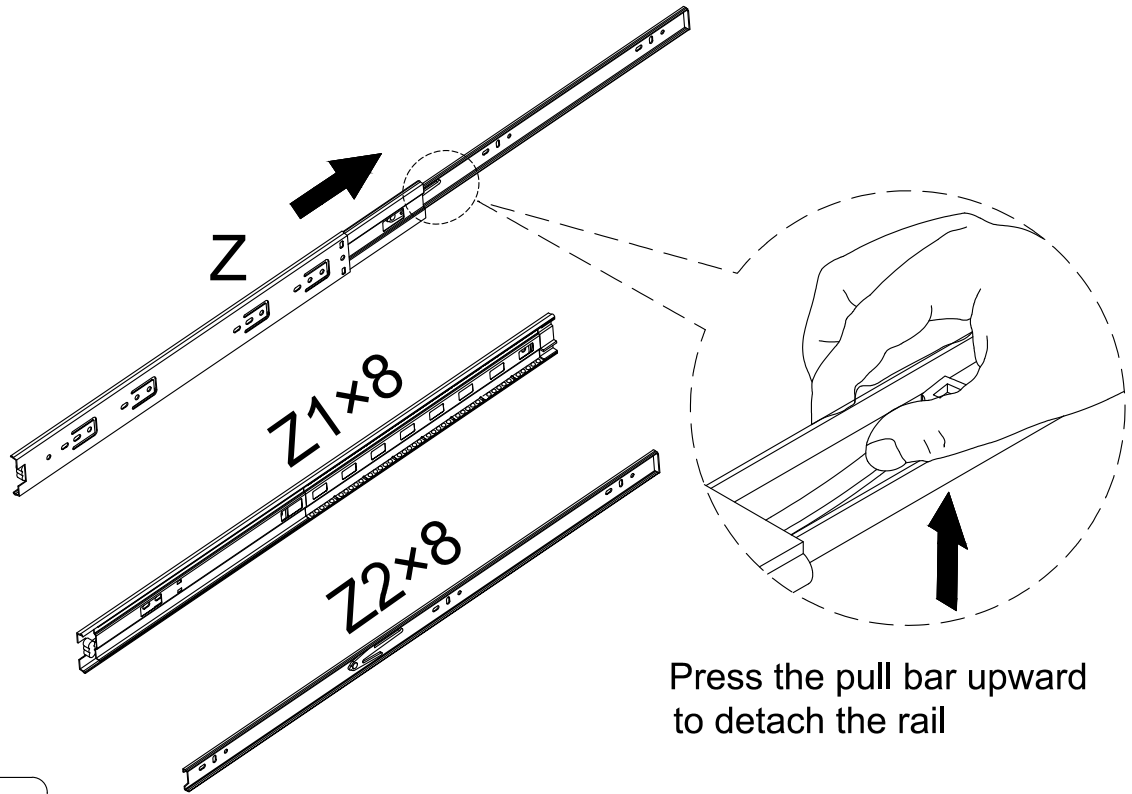
NO.	PARTS	QTY
37		x1

Hardware

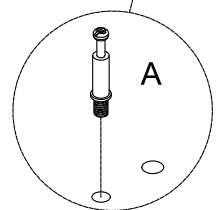
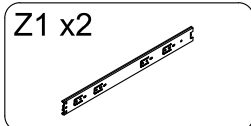
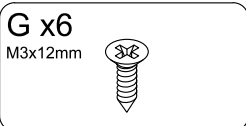
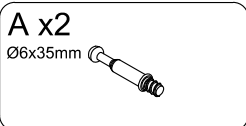
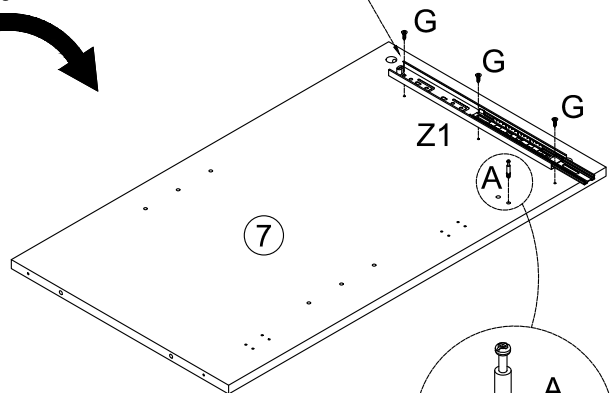
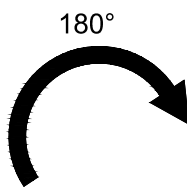
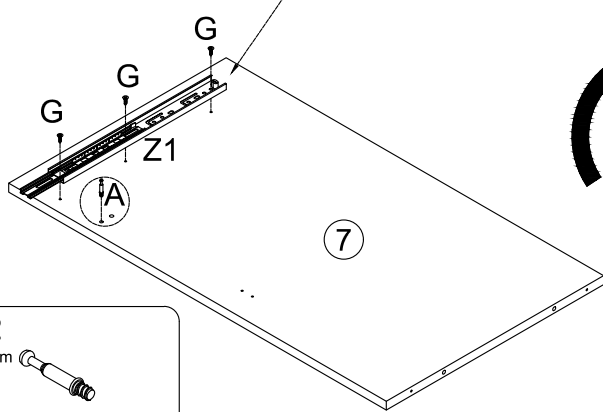
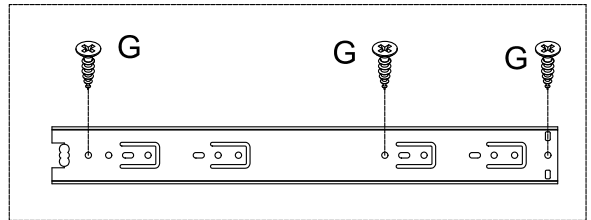
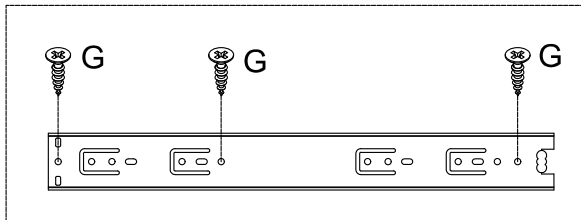
<p>A x42+2 Ø6x35mm</p> 	<p>B x42+2 Ø15x10mm</p> 	<p>C x24+2 Ø6x30mm</p> 	<p>D x12+1 M4x40mm</p> 	<p>E x24+2 M4x30mm</p> 	<p>F x20+2 M4x16mm</p> 	<p>G x48+2 M3x12mm</p> 
<p>H x28+2 M4x20mm</p> <p>black</p> 	<p>I x4</p> 	<p>J x2</p> 	<p>K x3</p> 	<p>L x2</p> 	<p>M x6</p> 	<p>N x1</p> 
<p>O x2</p> 	<p>P x2</p> 	<p>Q x6</p> 	<p>R x1</p> <p>R1 R2</p> 	<p>S x2</p> 	<p>T x6</p> <p>M4x14mm +1</p> 	<p>U x2+1 Ø8x30mm</p> 
<p>V x8+1</p> 	<p>W x4</p> 	<p>X x80+4 M3x14mm</p> 	<p>Y x12+1 M3x16mm</p> 	<p>Z x8 L=320mm</p> <p>Z1 Z2</p> 		
						

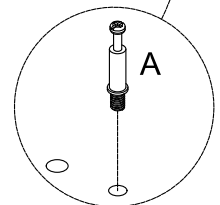
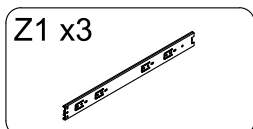
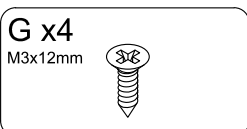
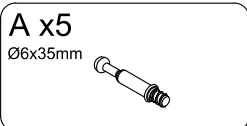
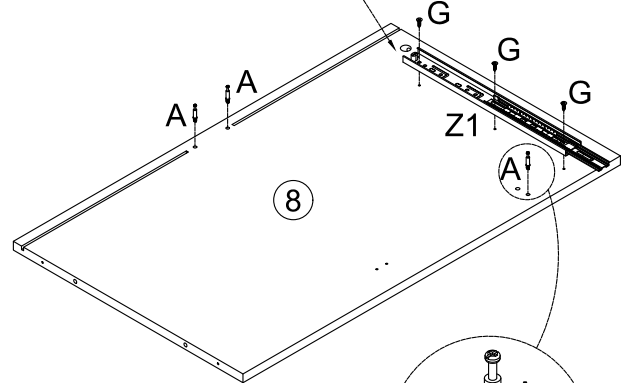
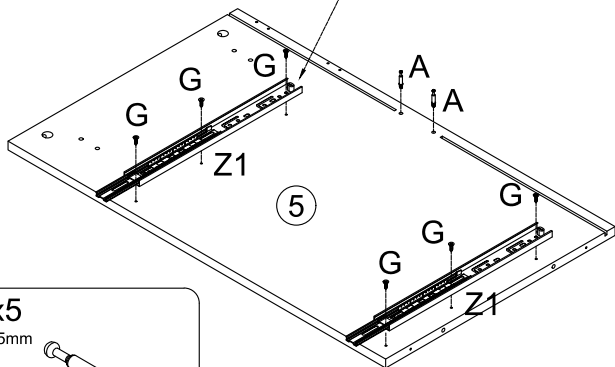
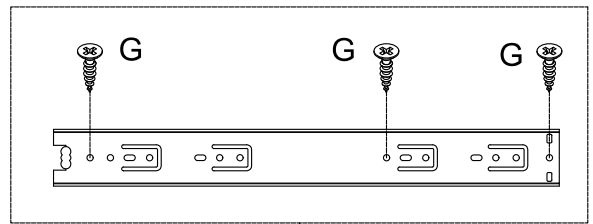
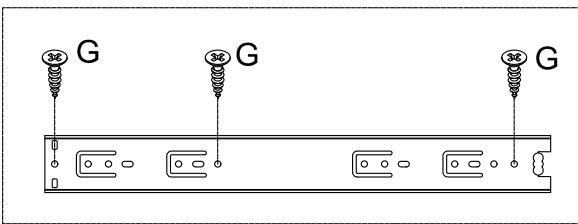
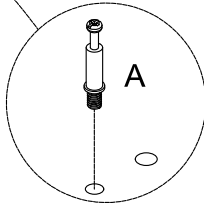
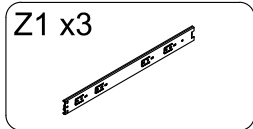
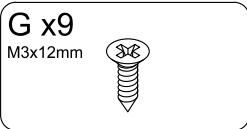
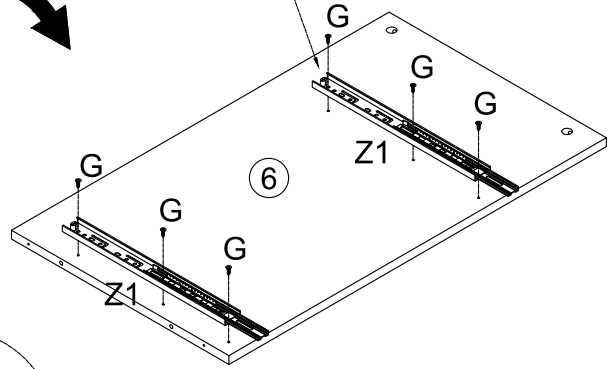
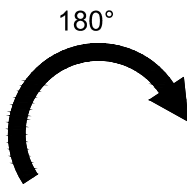
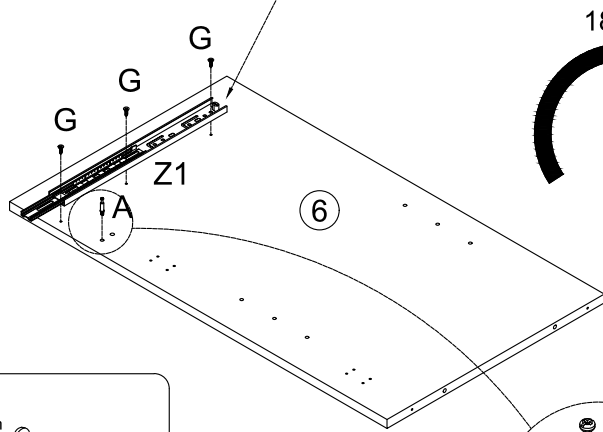
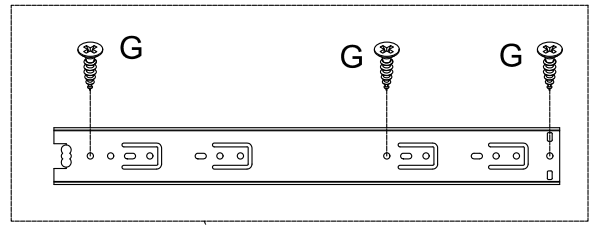
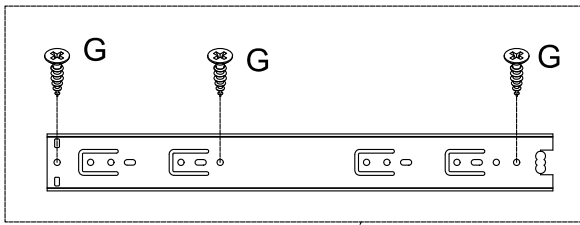
Assembly Steps

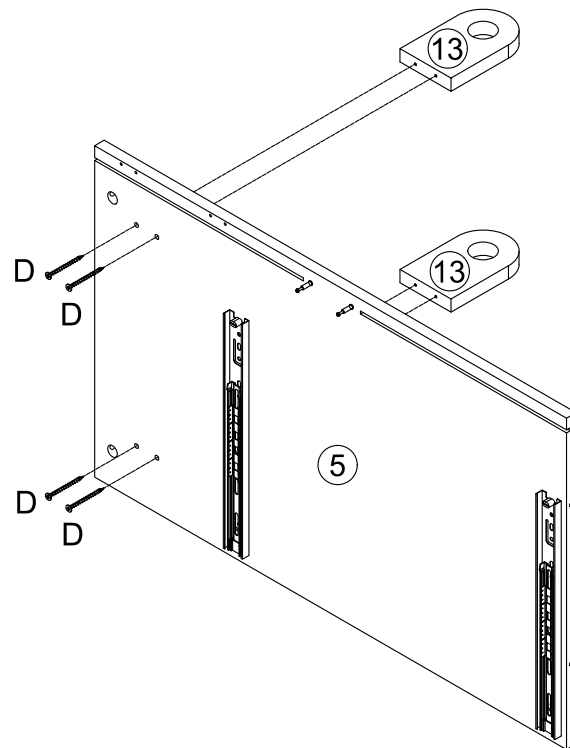
1



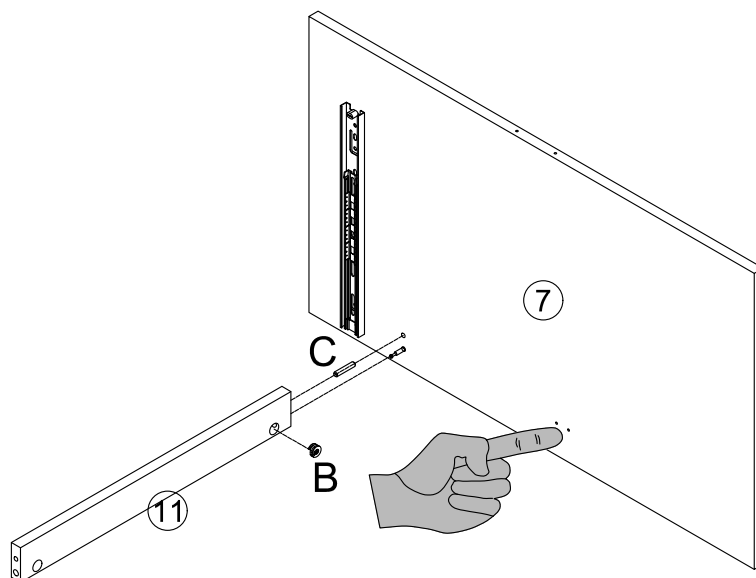
2



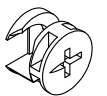




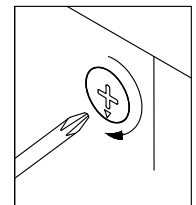
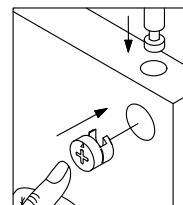
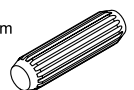
D x4
M4x40mm

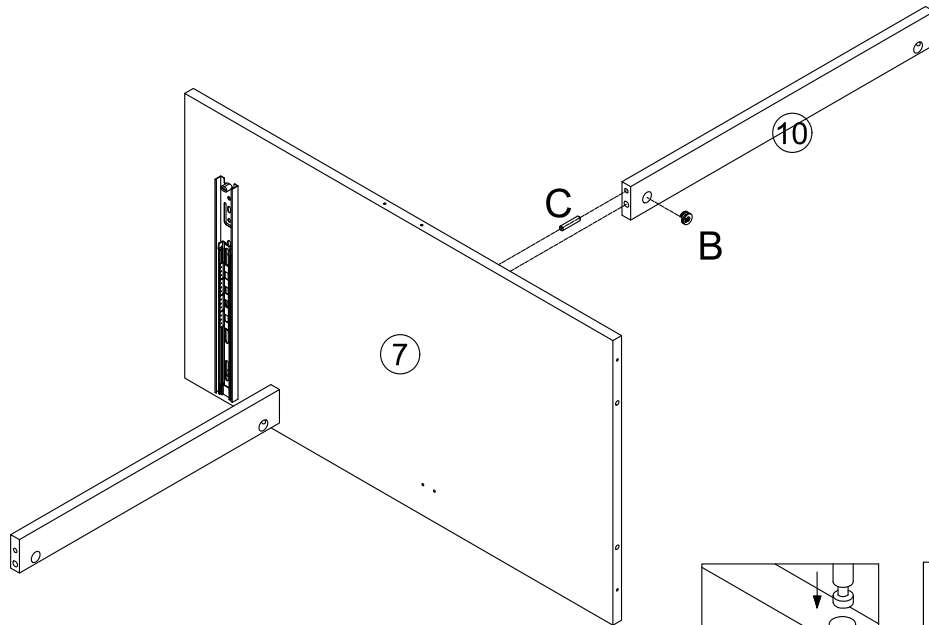


B x1
Ø15x10mm

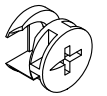


C x1
Ø6x30mm

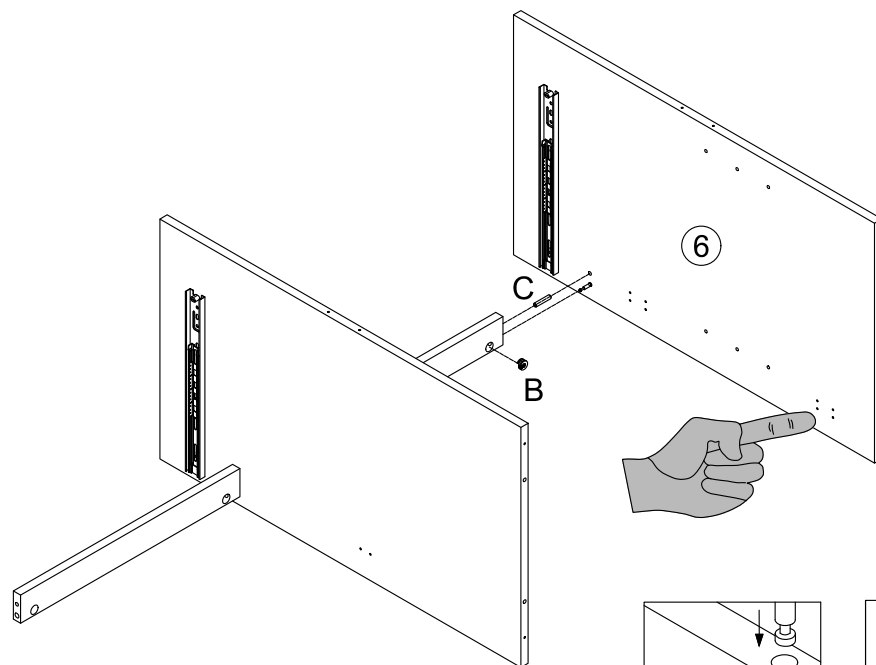
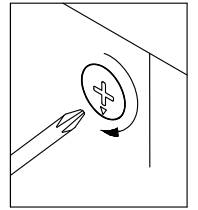
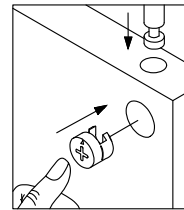
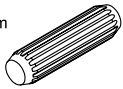




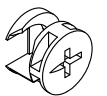
B x1
Ø15x10mm



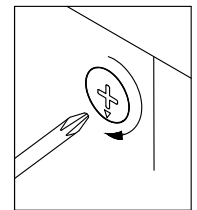
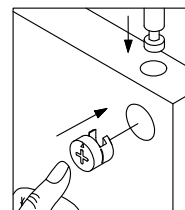
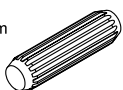
C x1
Ø6x30mm

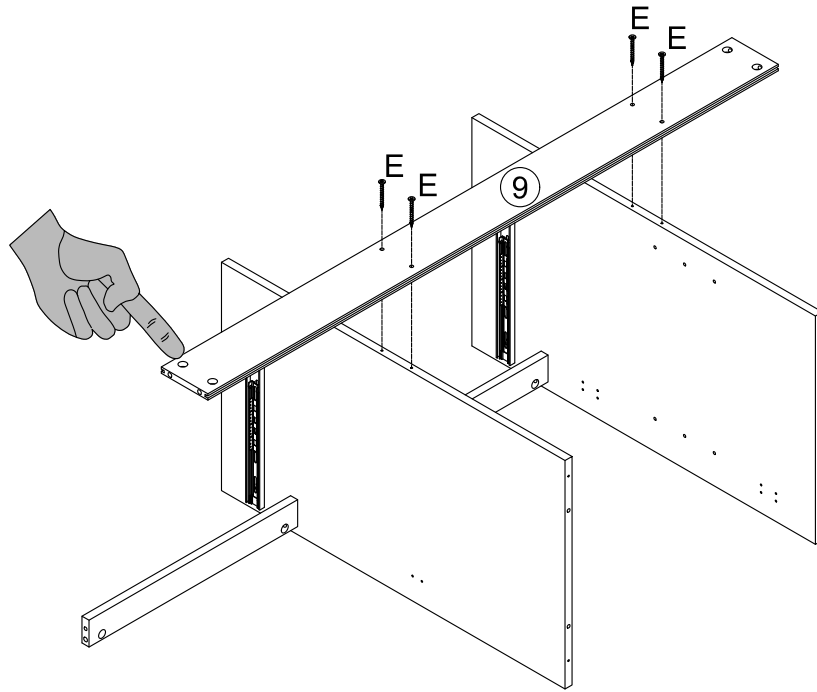


B x1
Ø15x10mm

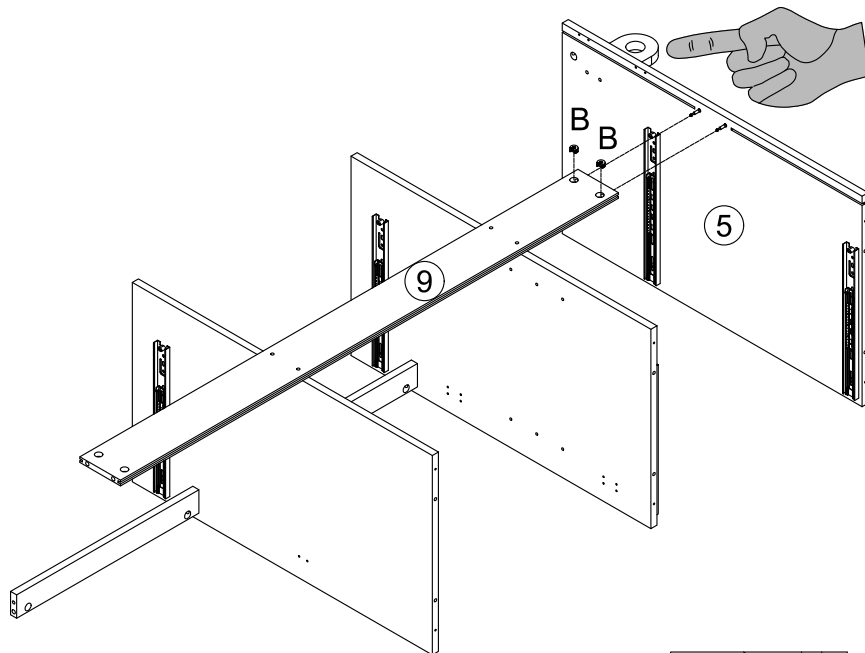


C x1
Ø6x30mm

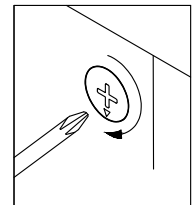
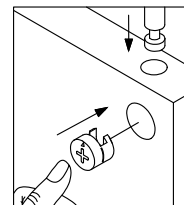


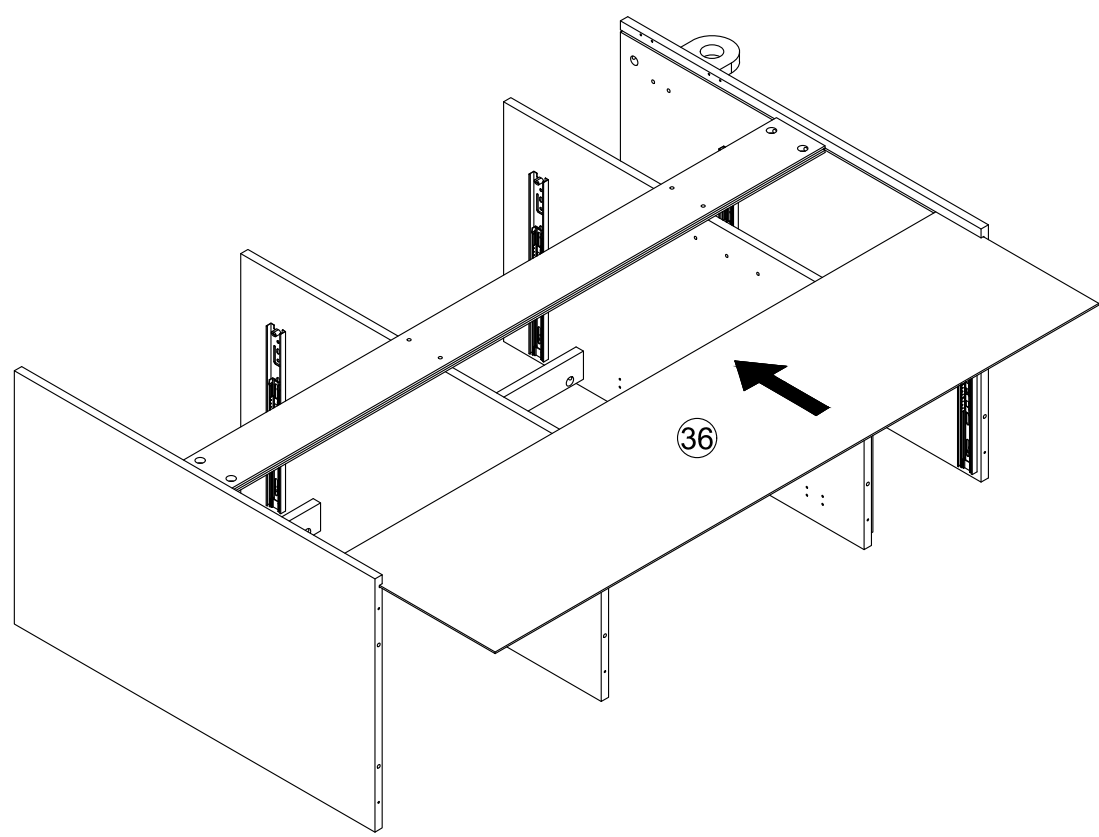
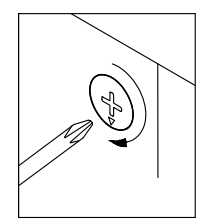
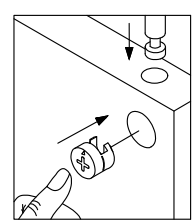
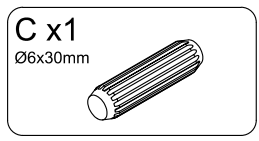
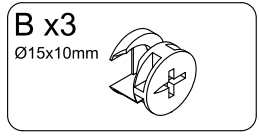
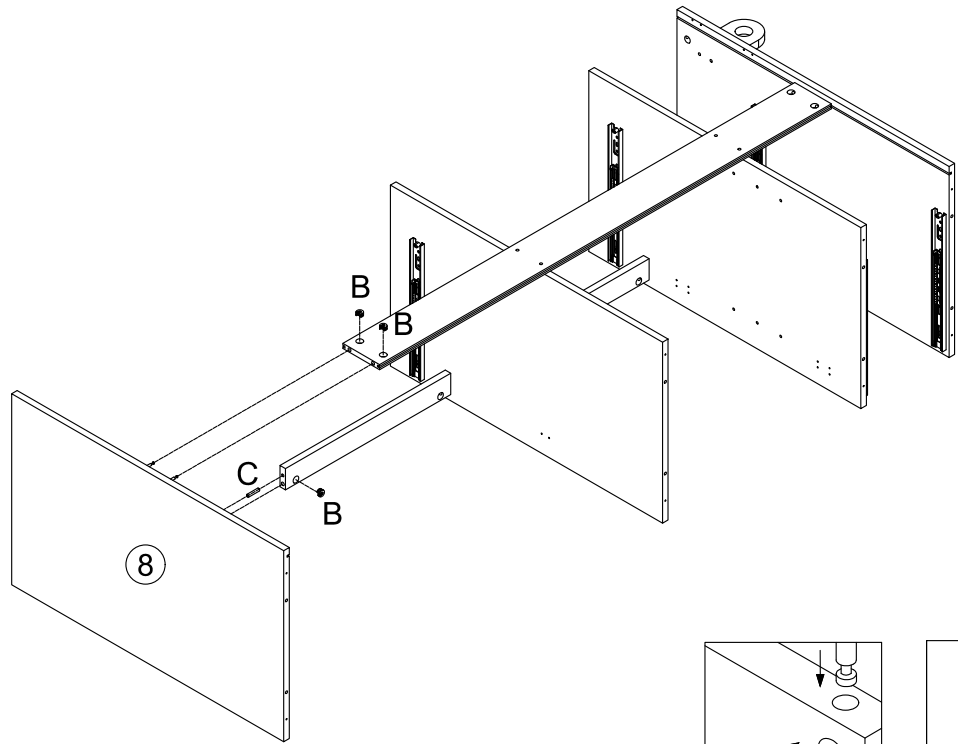


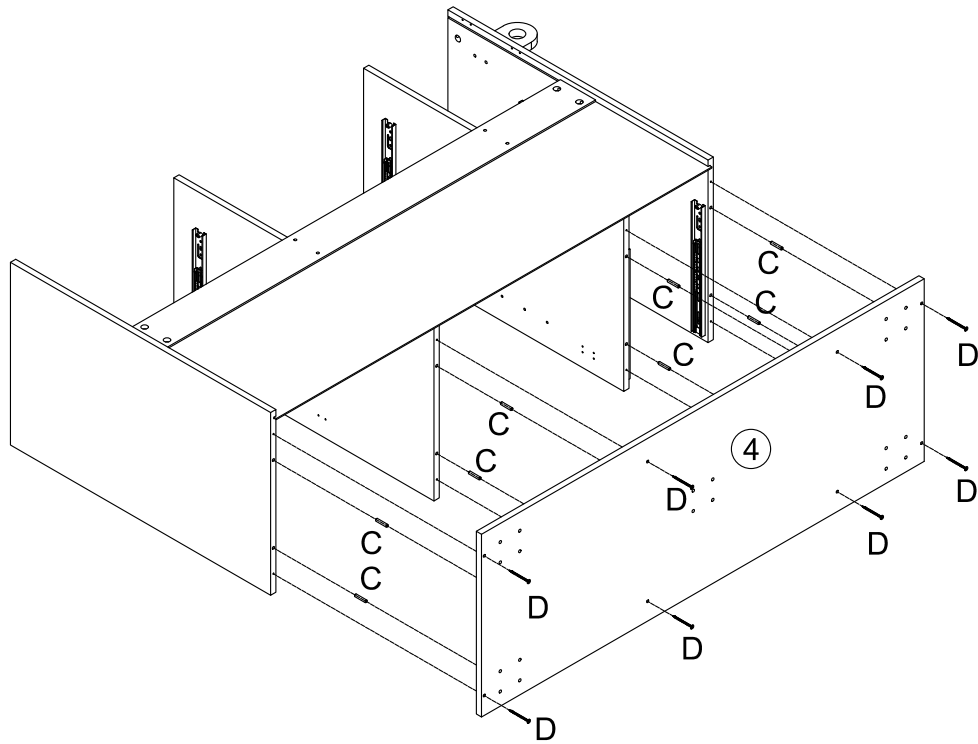
E x4
M4x30mm



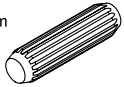
B x2
Ø15x10mm



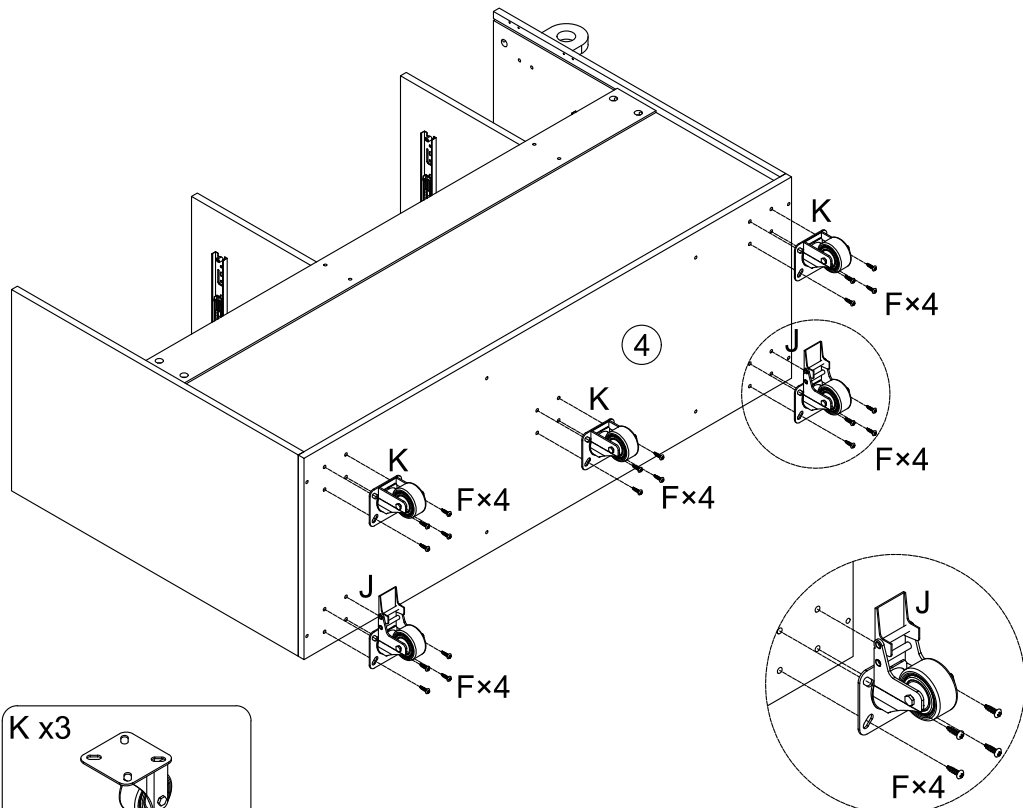




C x8
Ø6x30mm



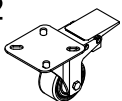
D x8
M4x40mm



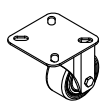
F x20
M4x16mm

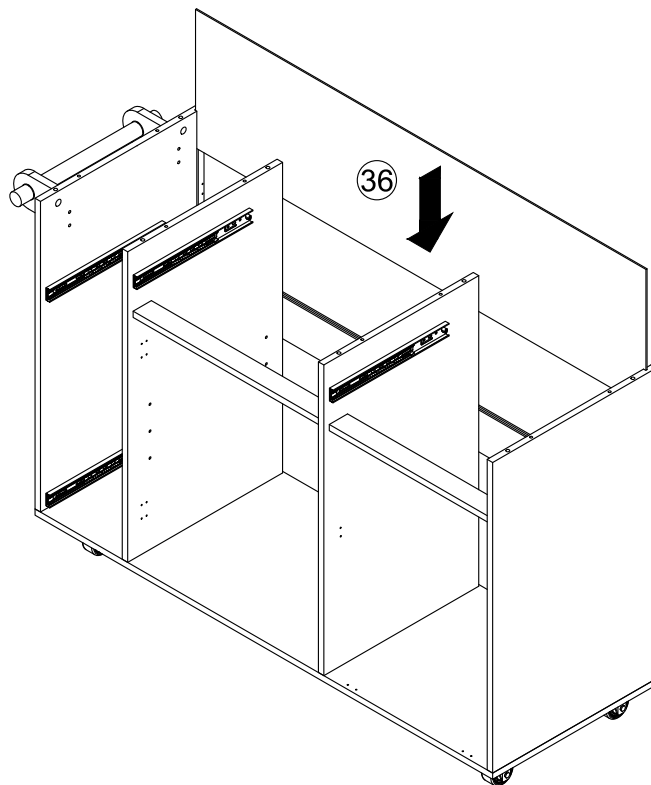
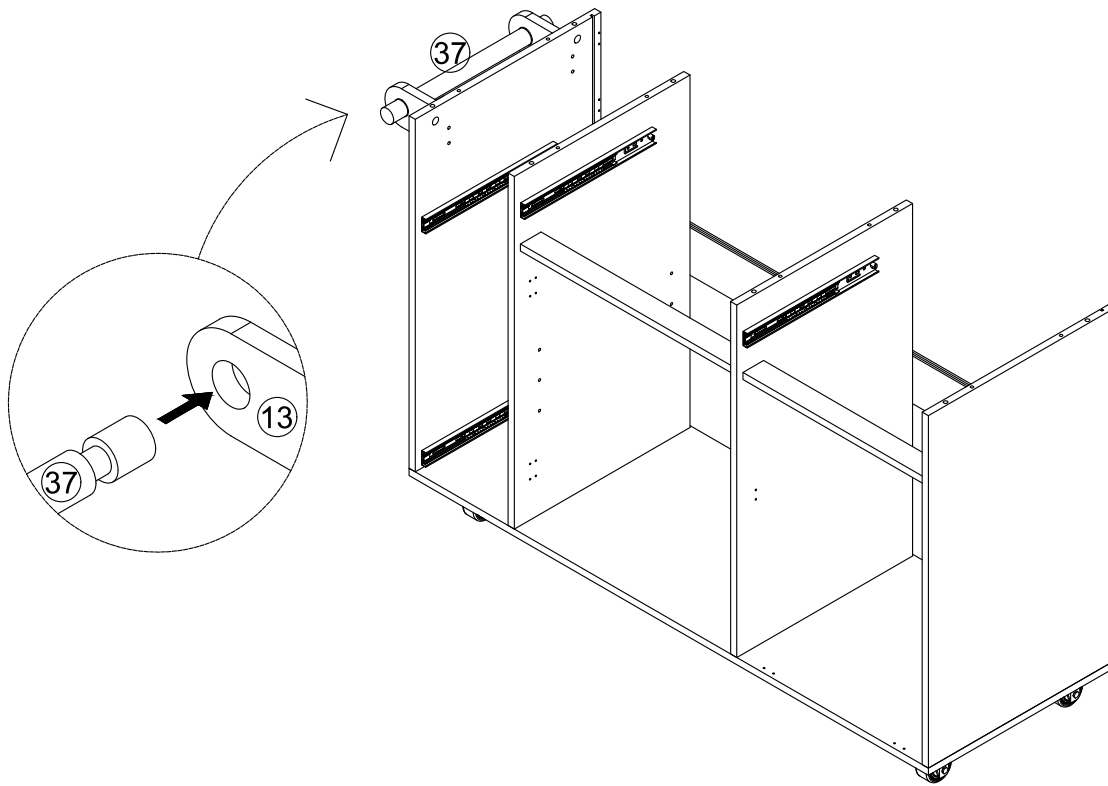


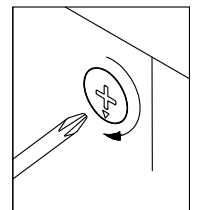
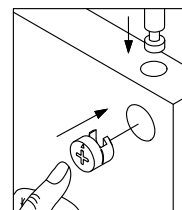
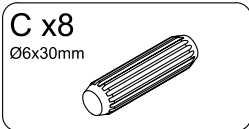
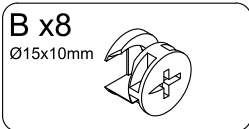
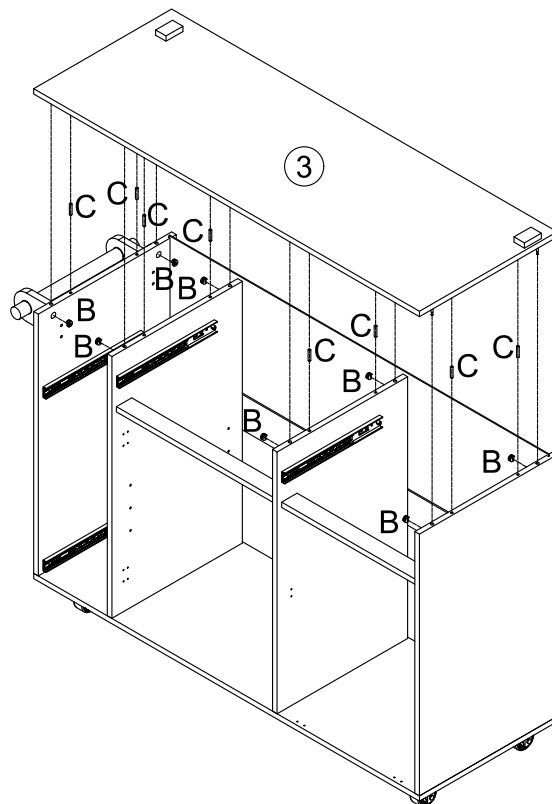
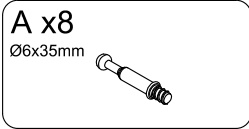
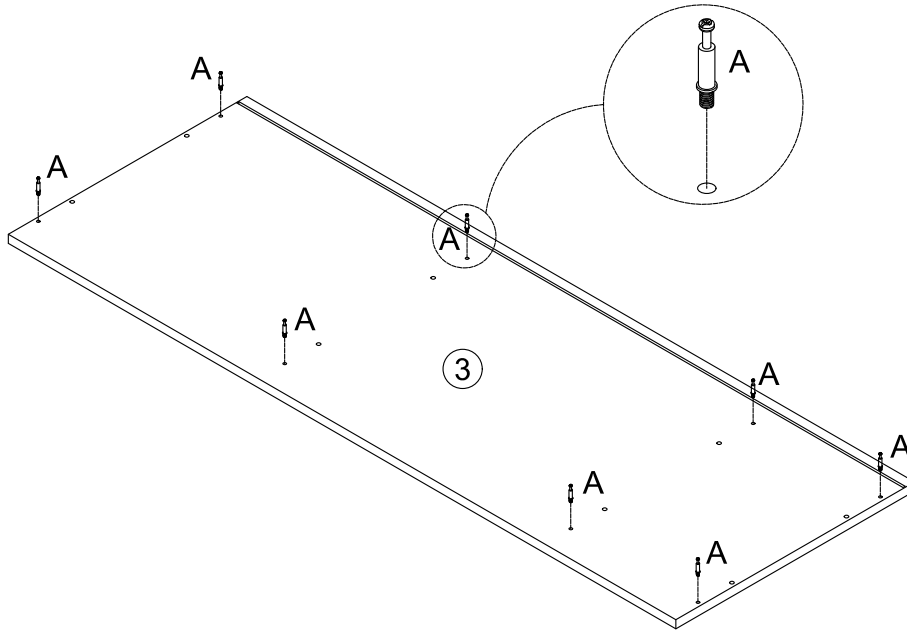
J x2

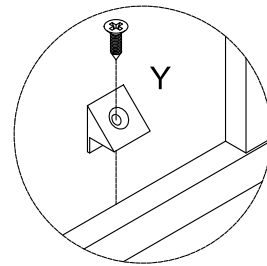
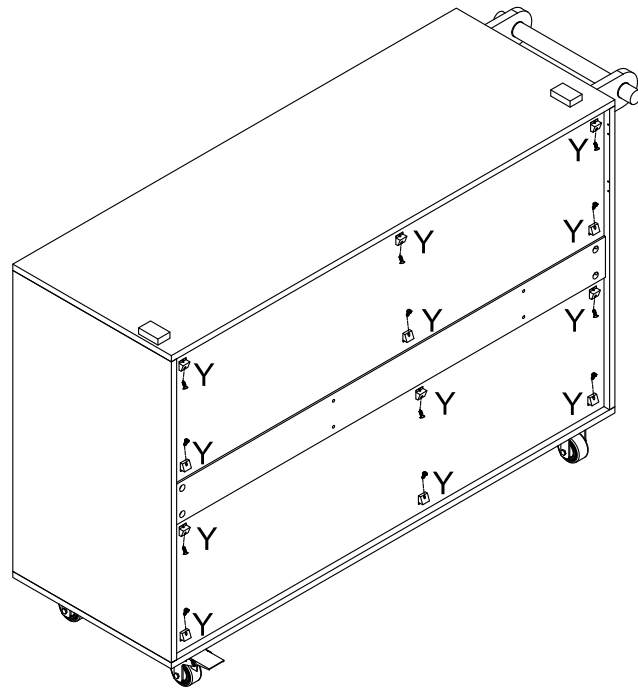


K x3

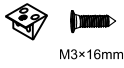




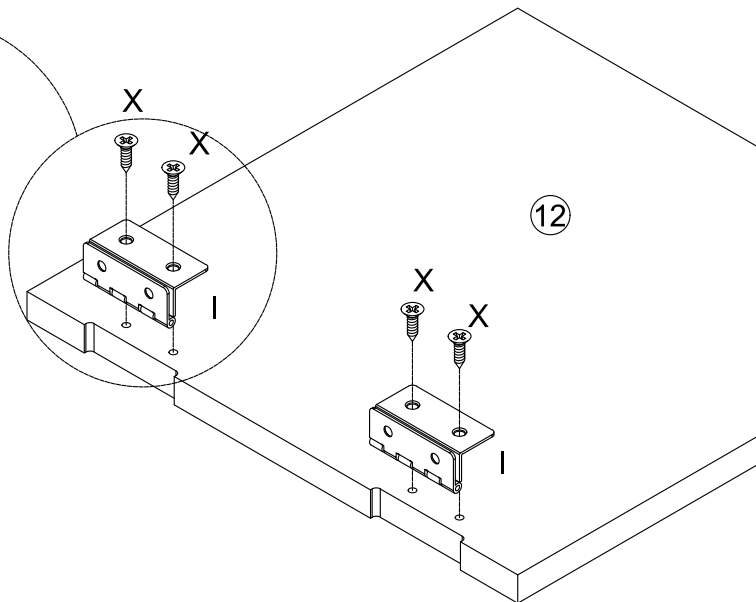
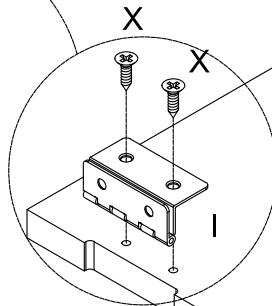
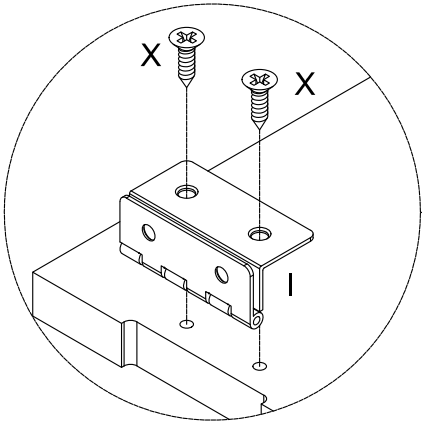




Y x12



M3x16mm

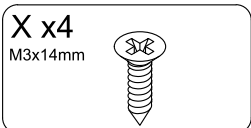
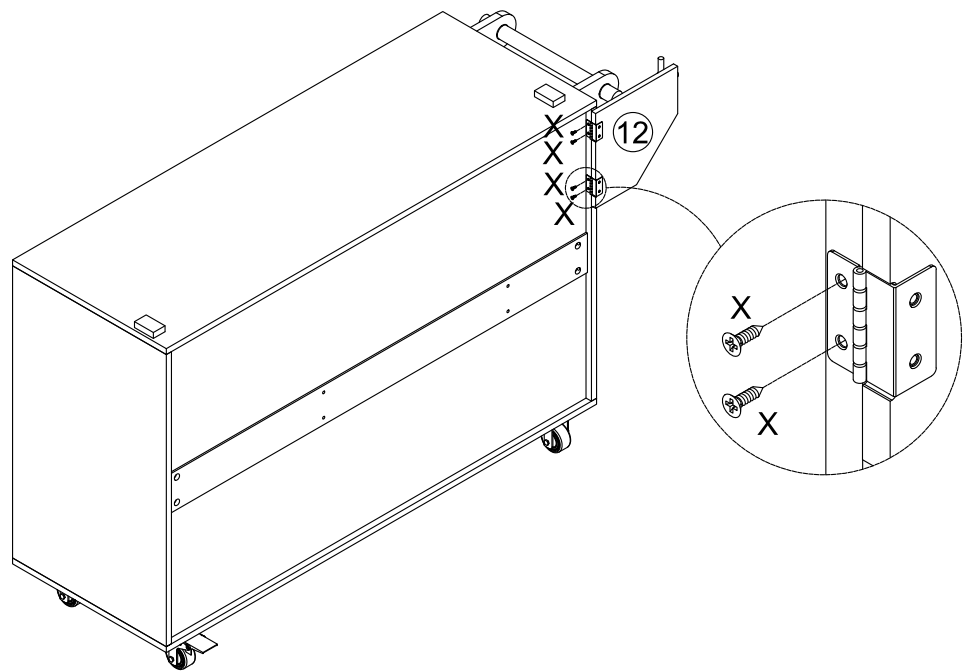
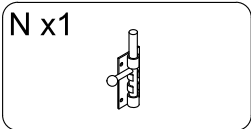
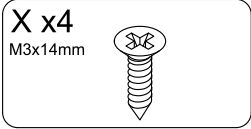
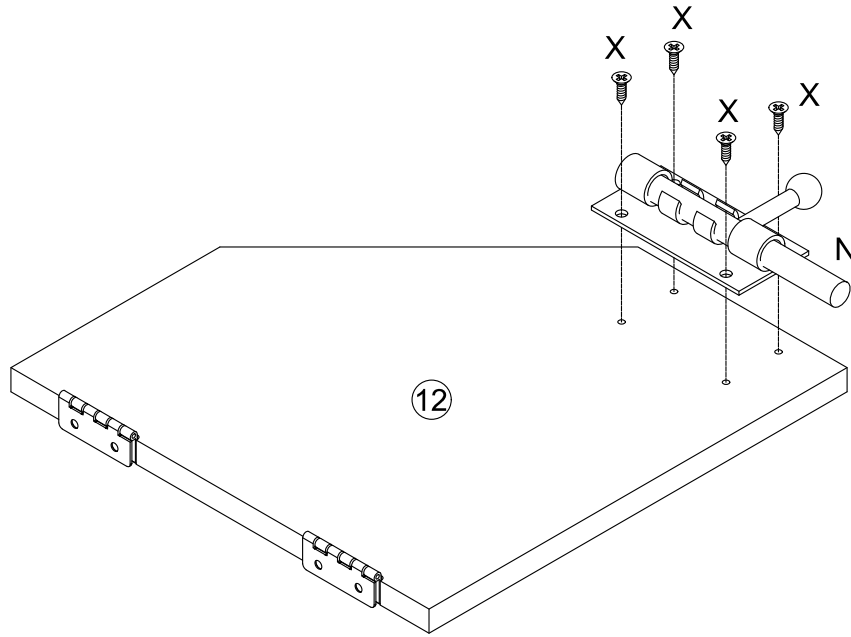


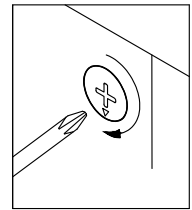
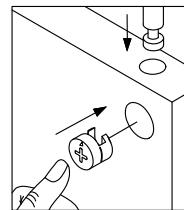
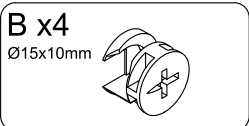
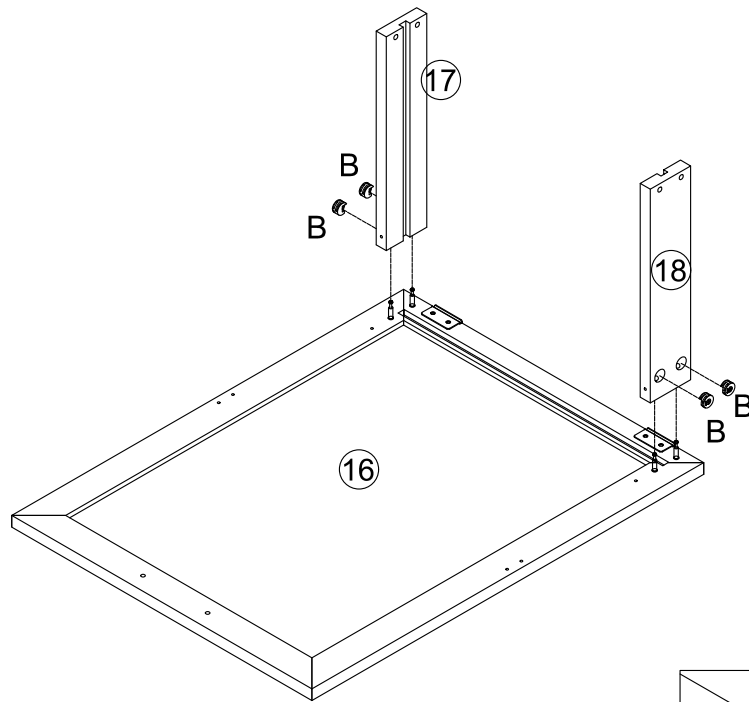
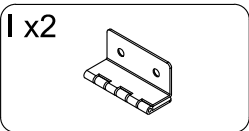
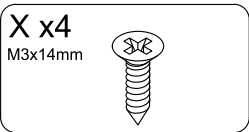
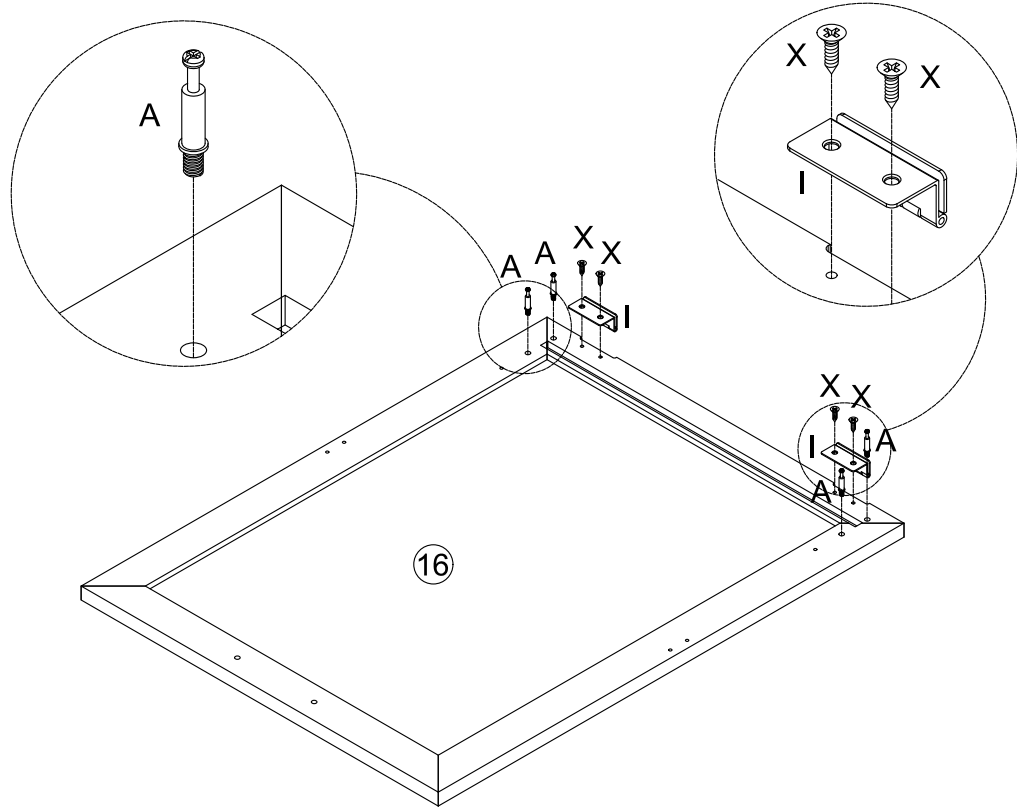
X x4
M3x14mm

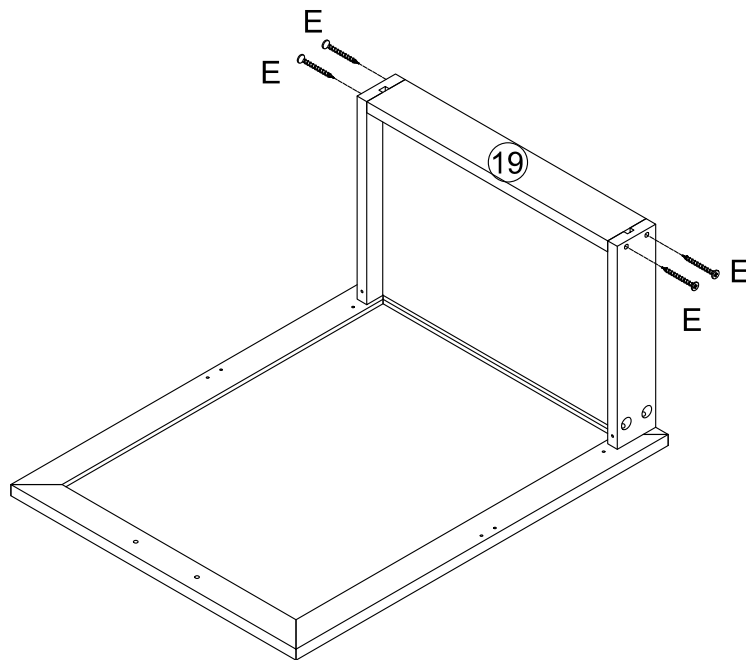
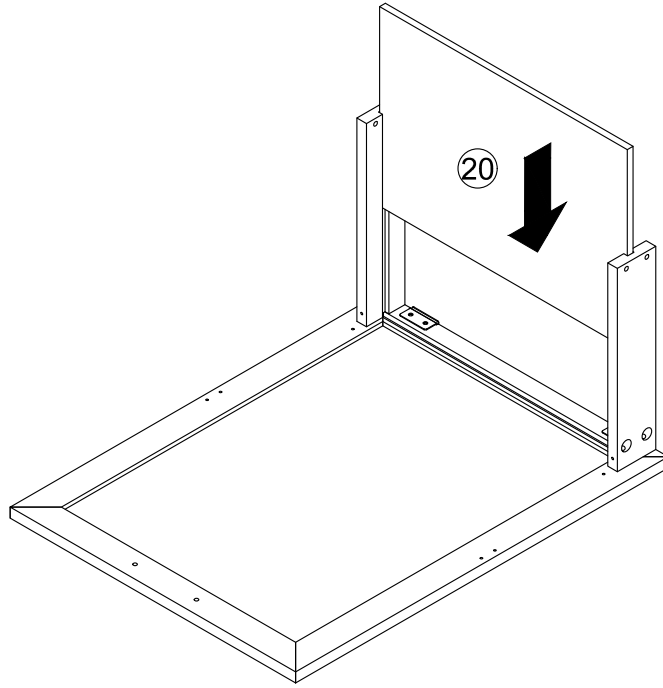


I x2



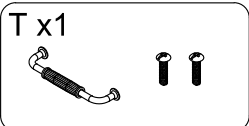
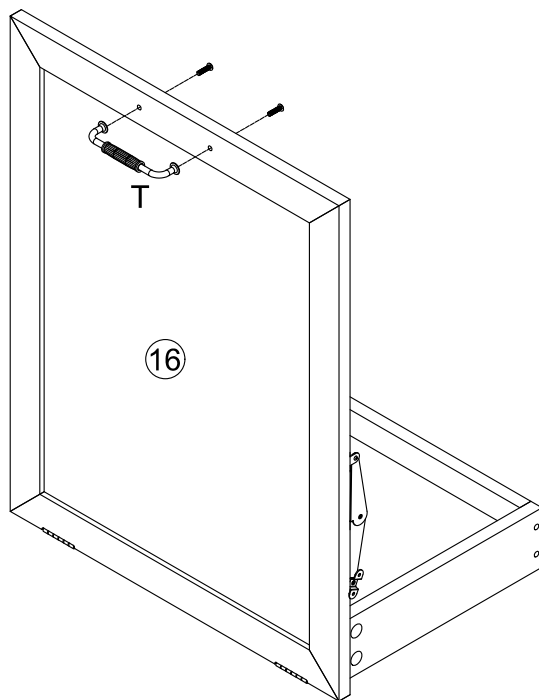
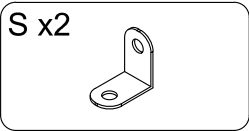
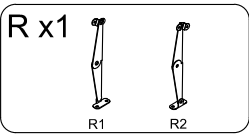
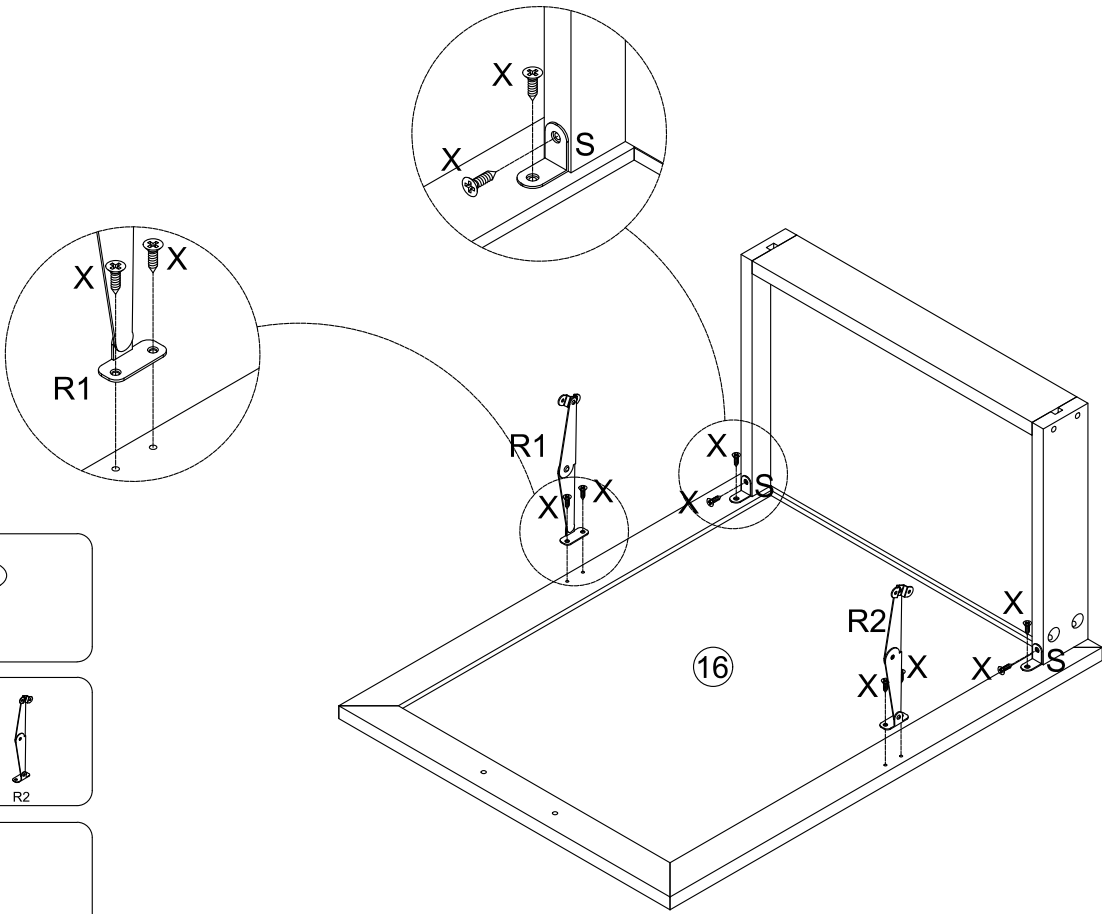


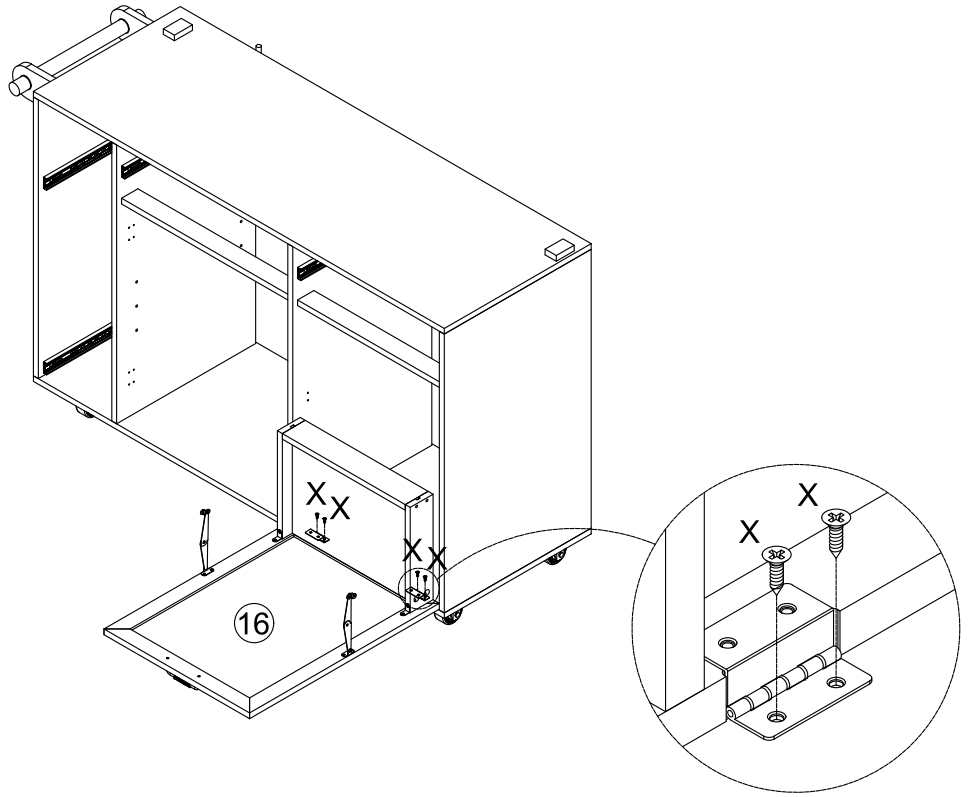




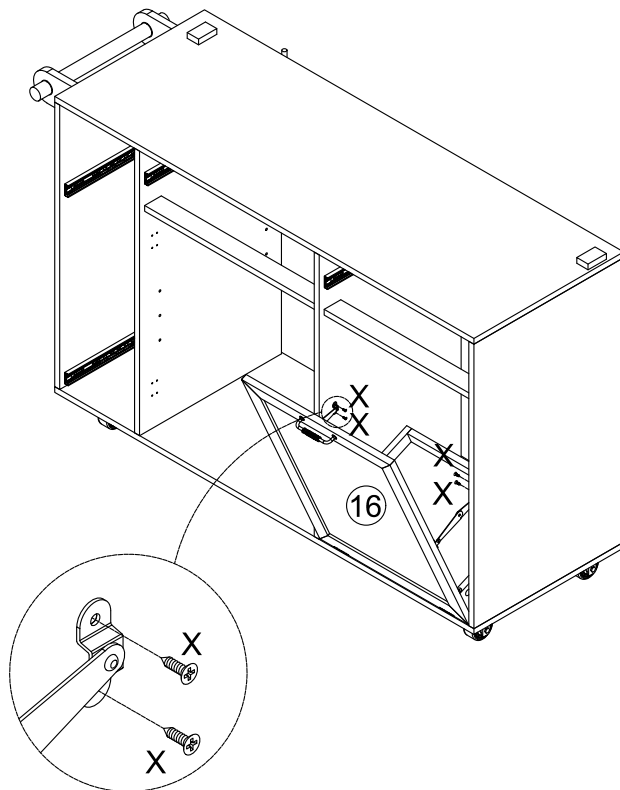
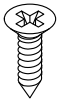
E x4
M4x30mm



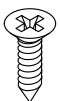


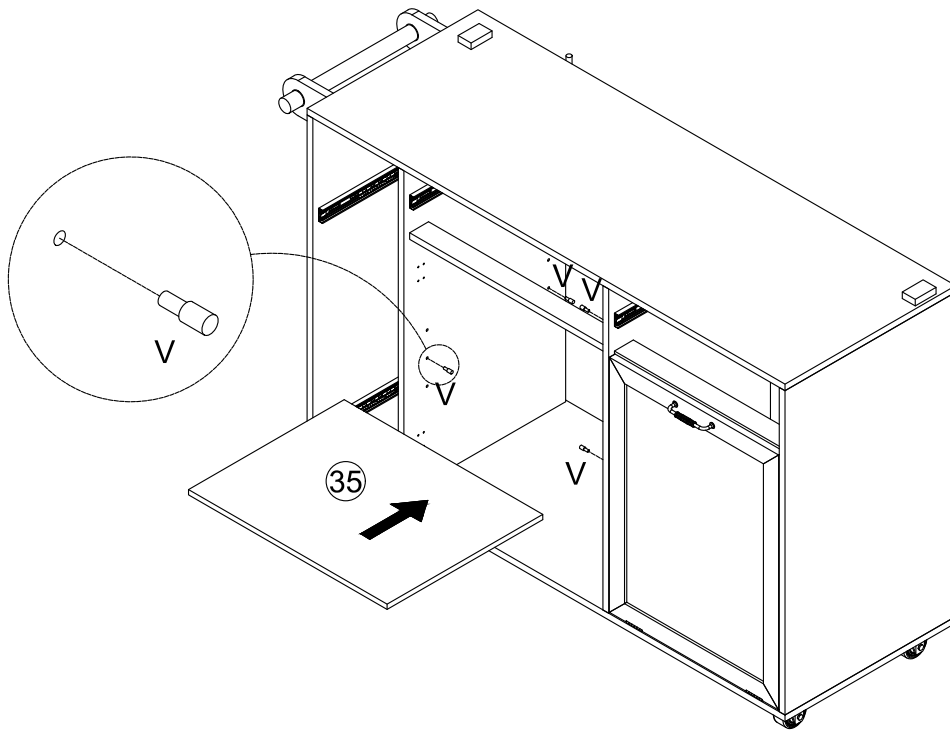


X x4
M3x14mm

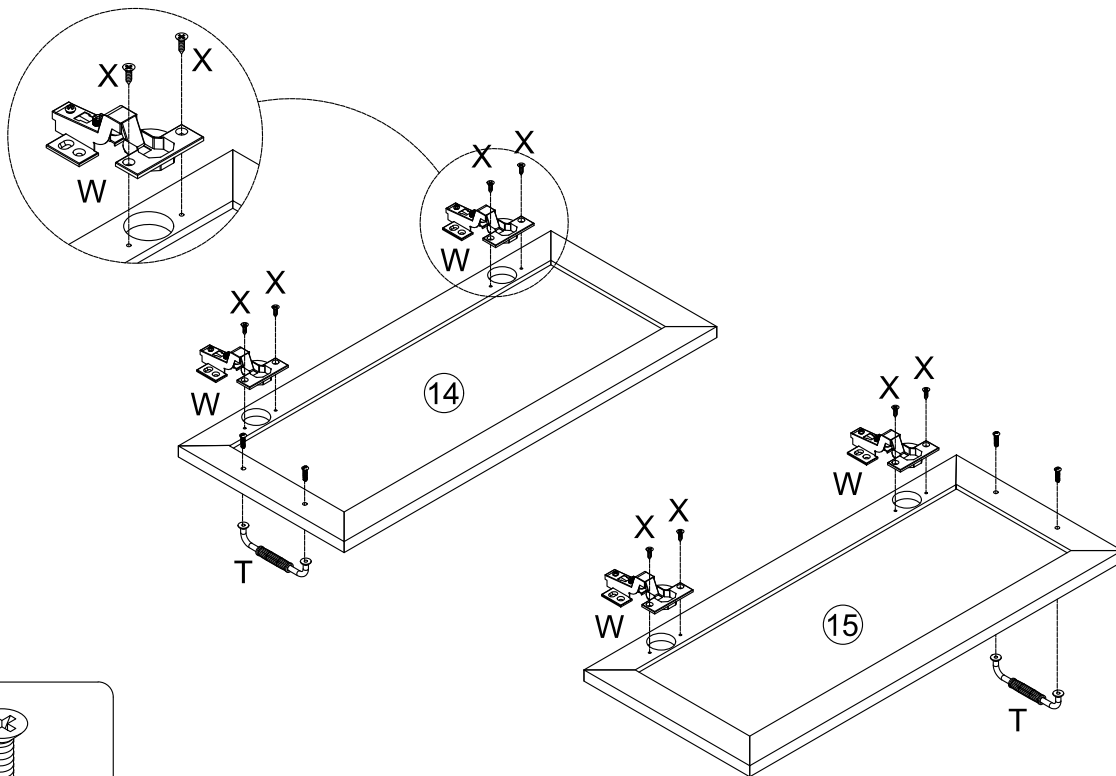


X x4
M3x14mm

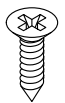




V x4



X x8
M3x14mm

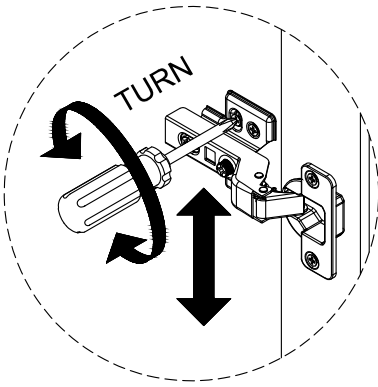


T x2

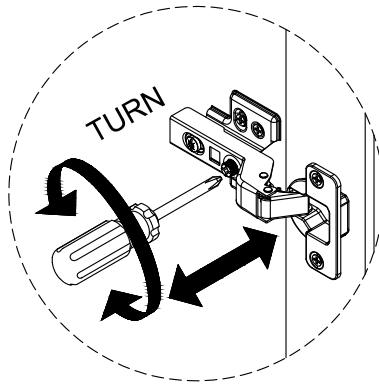


W x4

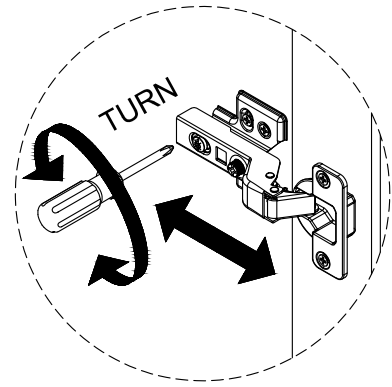




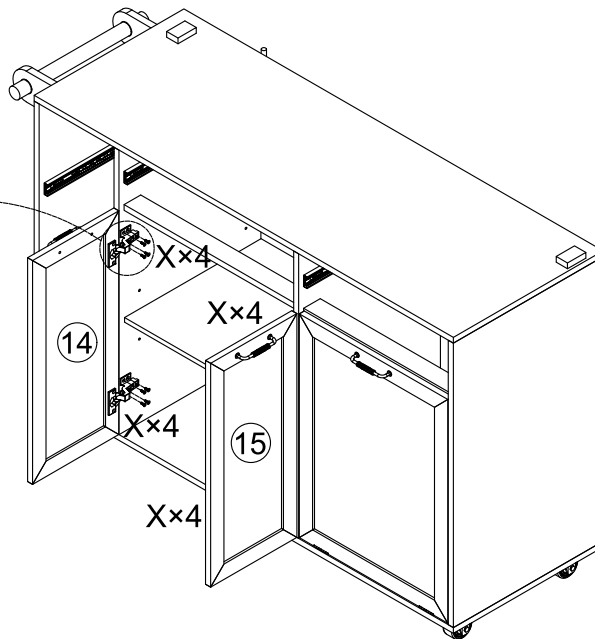
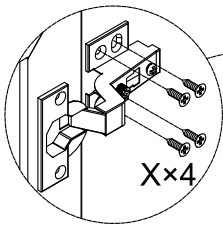
Loosen this screw and push up/down for a slight up-down adjustment of the door.



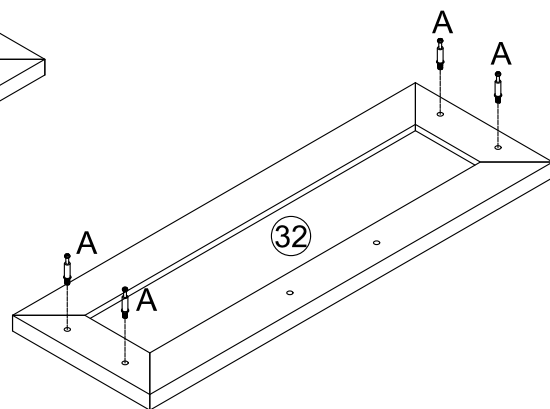
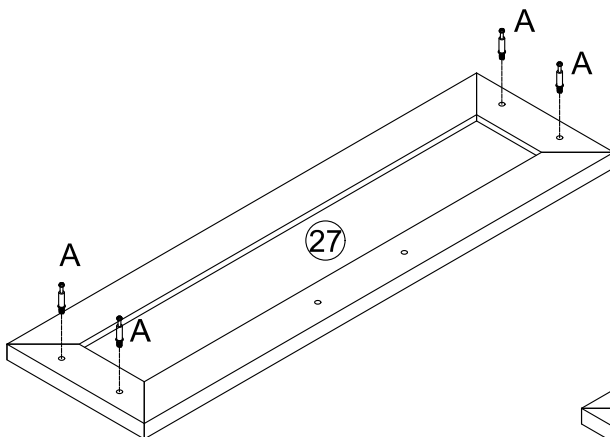
Loosen this screw for a slight left-right adjustment of the door.



Loosen this screw and push forward/backward for a slight front-back adjustment of the door.

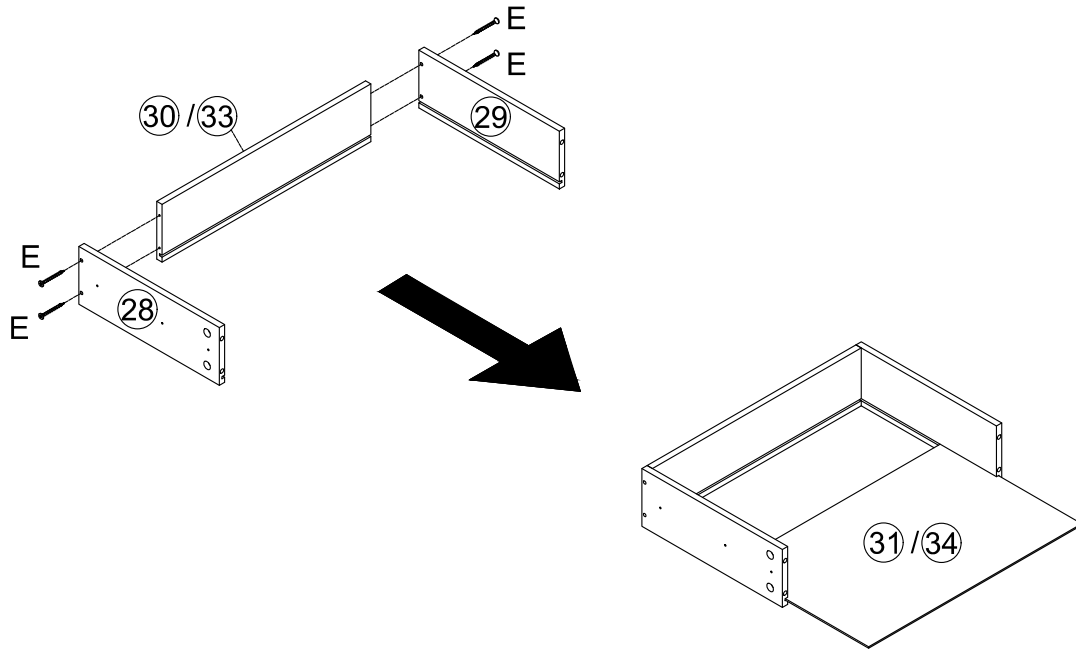


X x16
M3x14mm



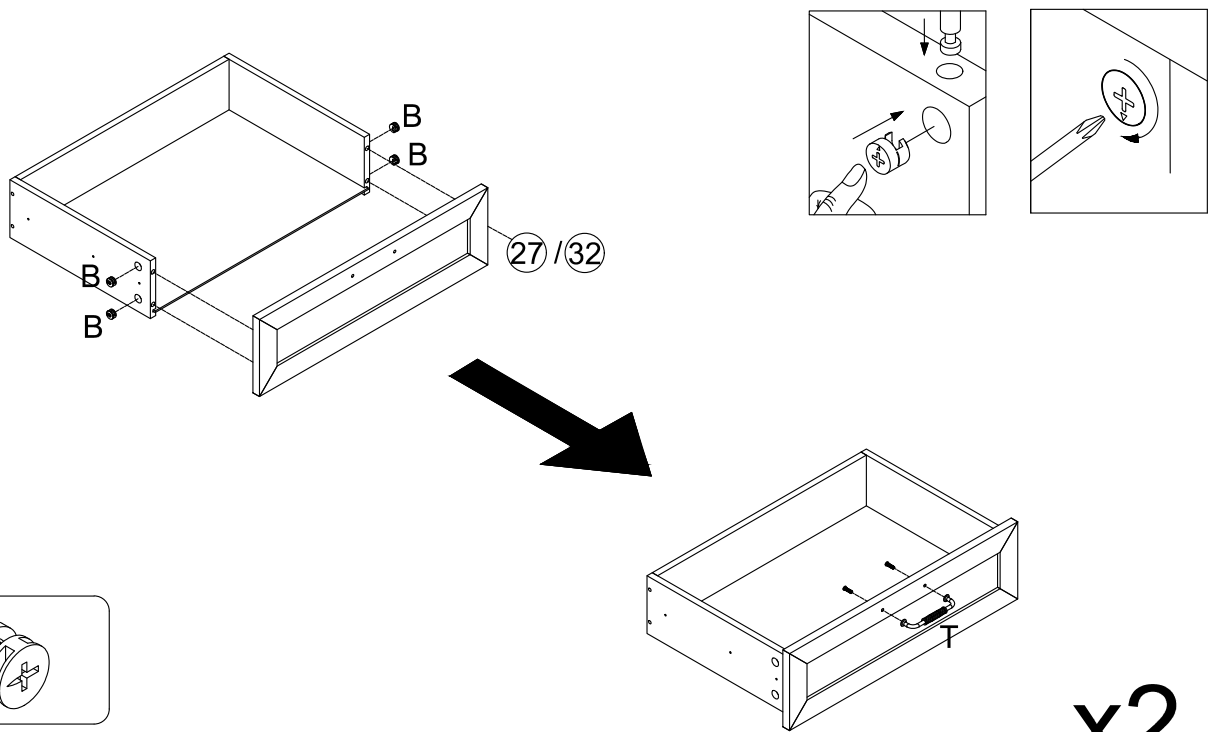
A x8
Ø6x35mm





x2

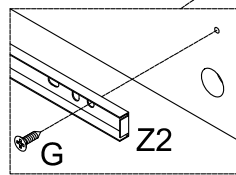
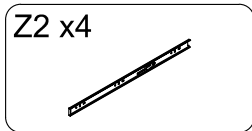
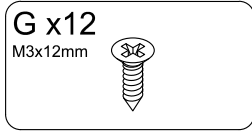
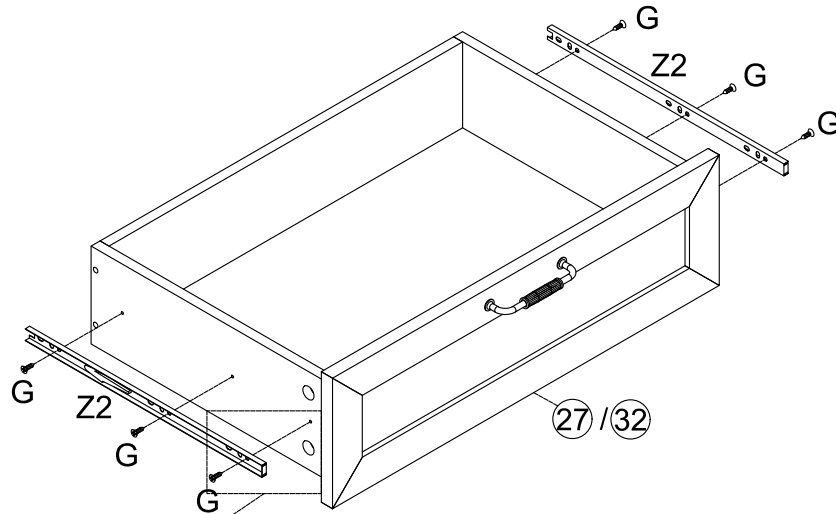
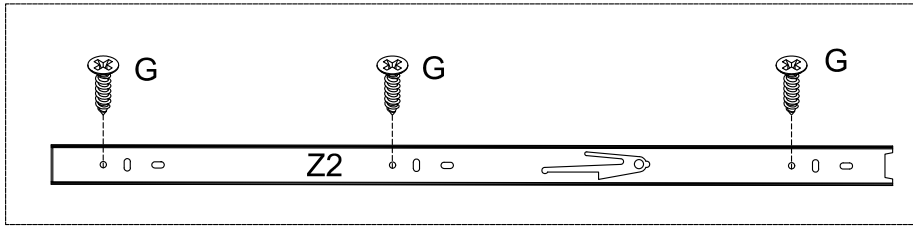
E x8
M4x30mm



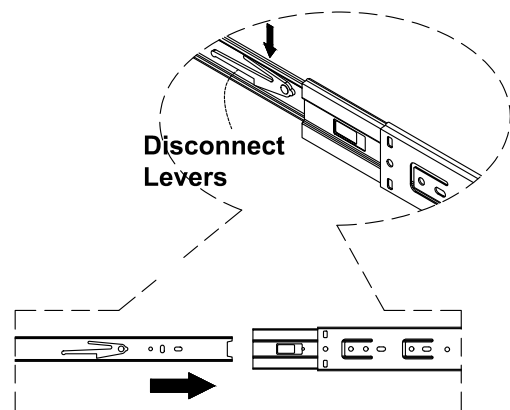
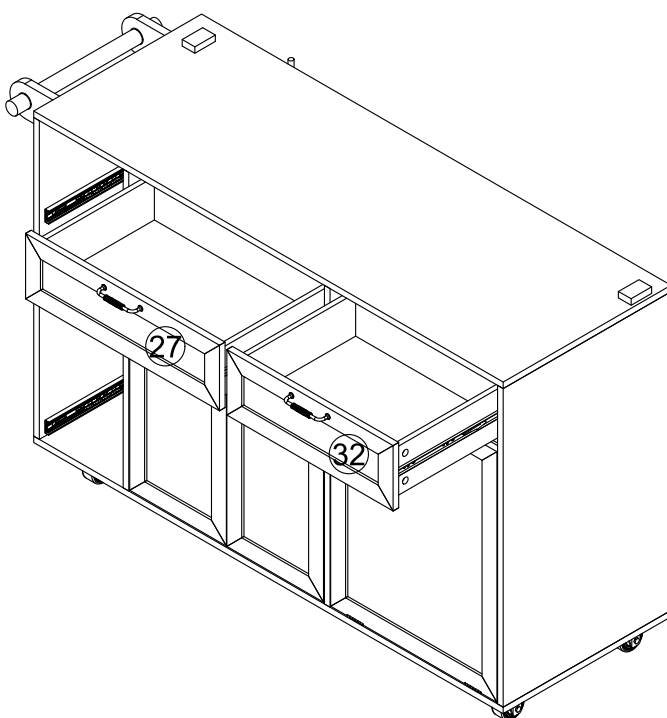
x2

B x8
Ø15x10mm

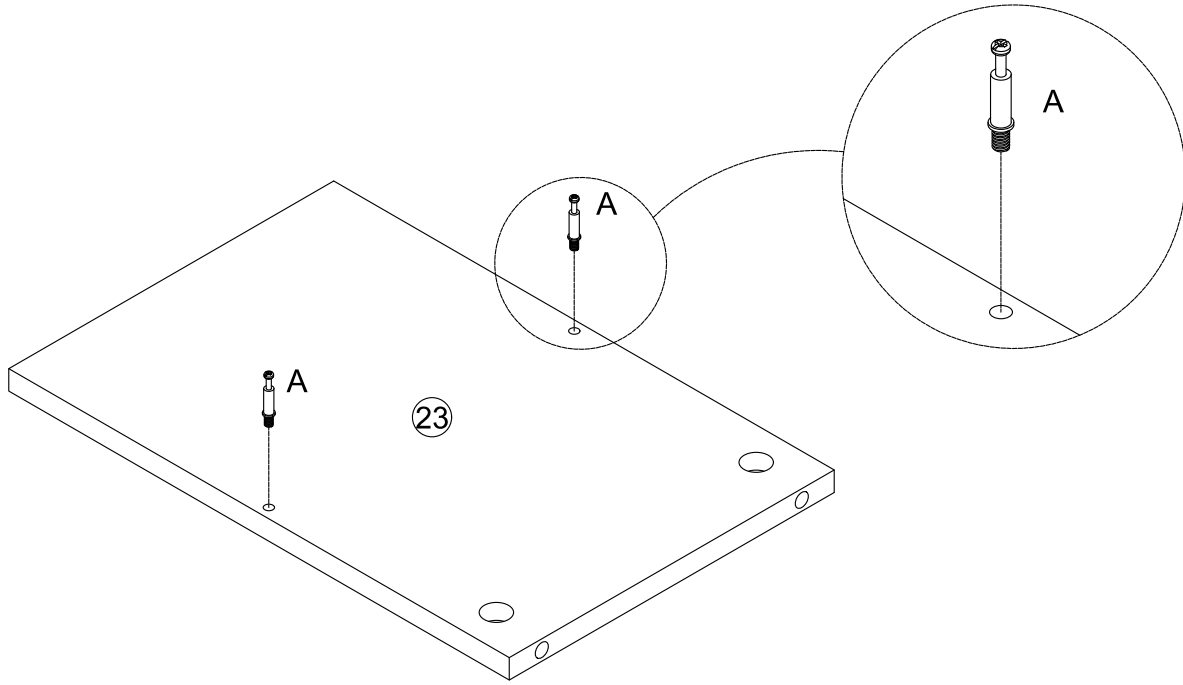
T x2



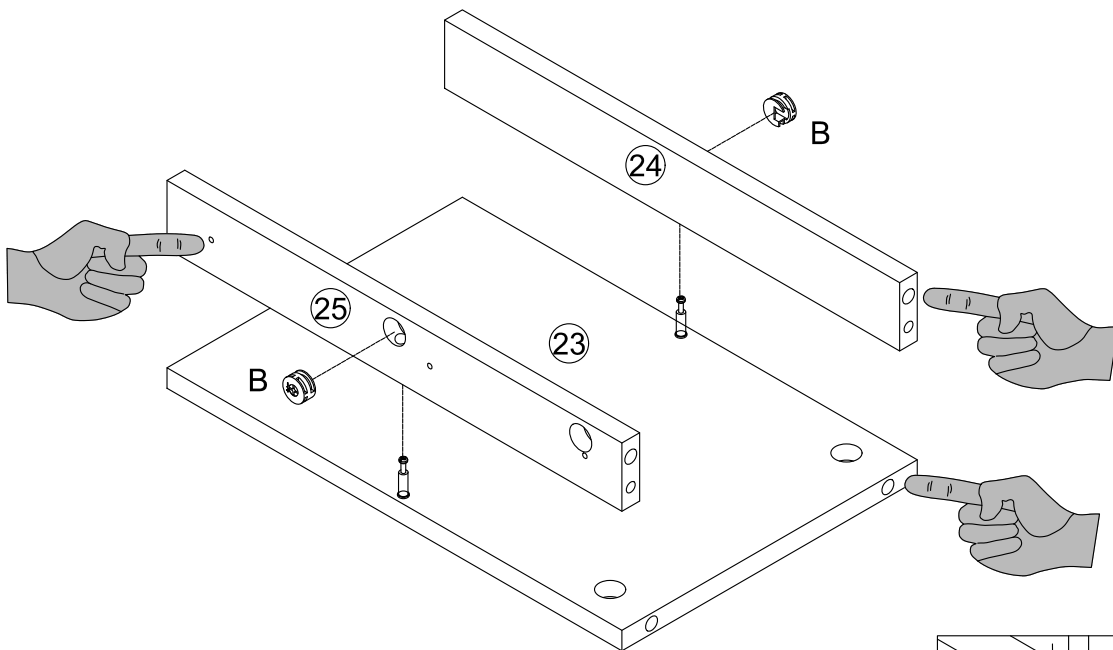
x2



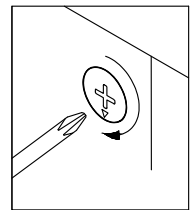
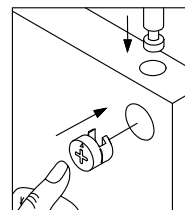
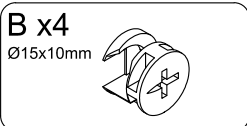
When installing the slide rail, it should be inserted at the same time, and then pushed together

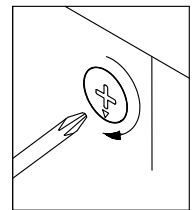
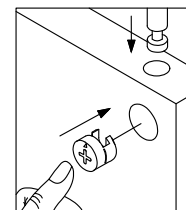
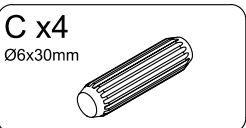
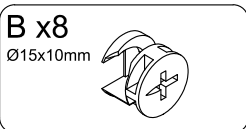
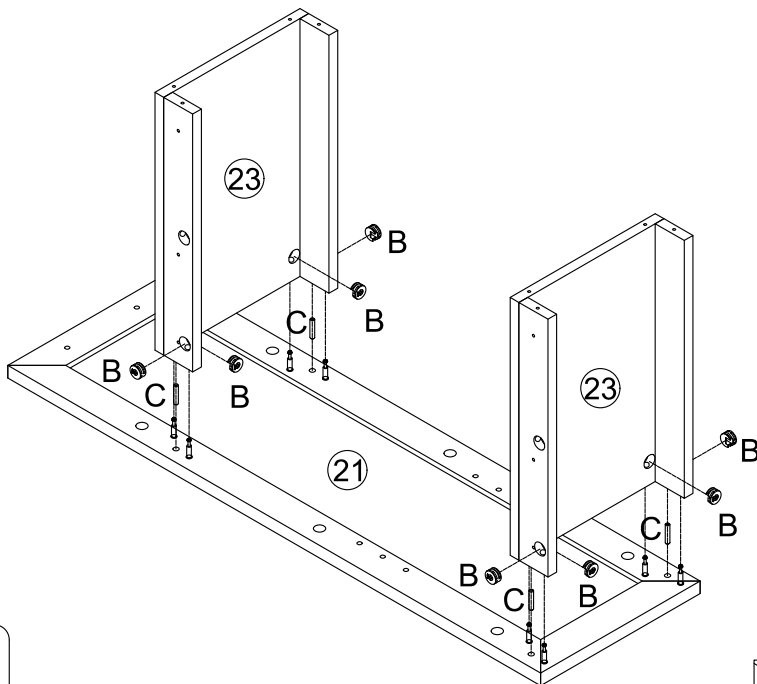
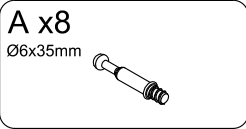
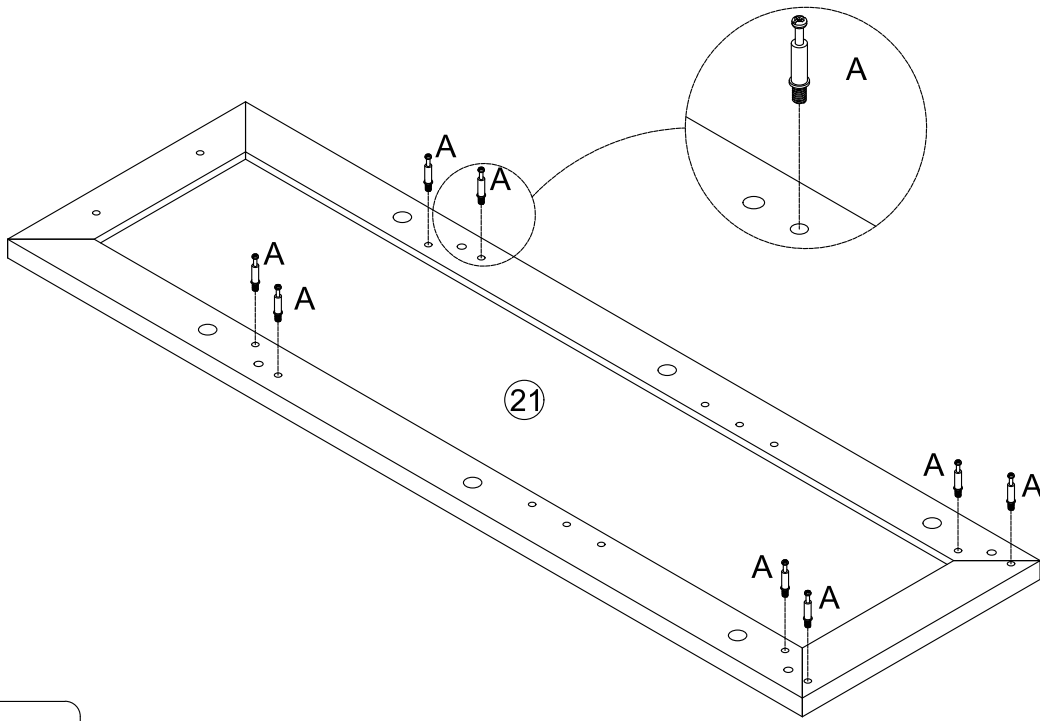


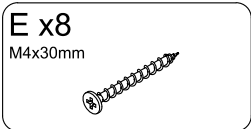
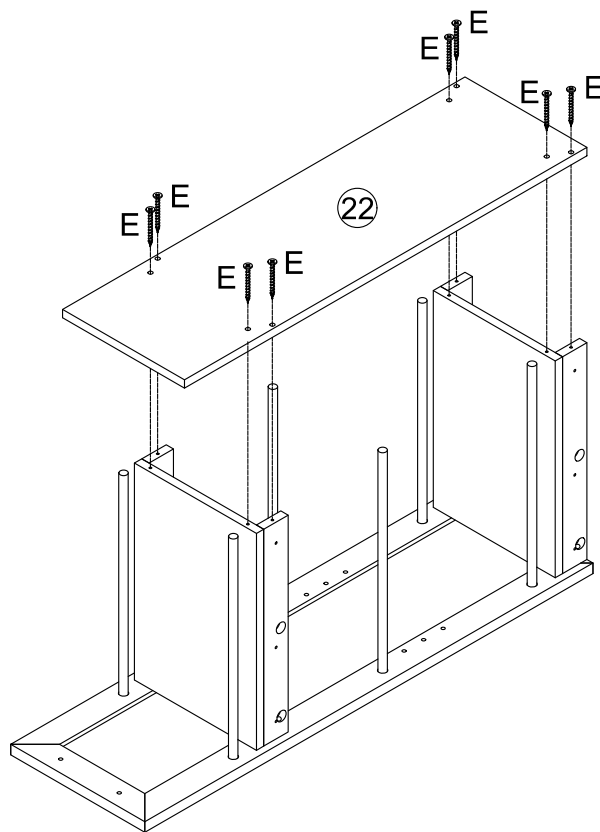
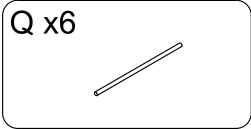
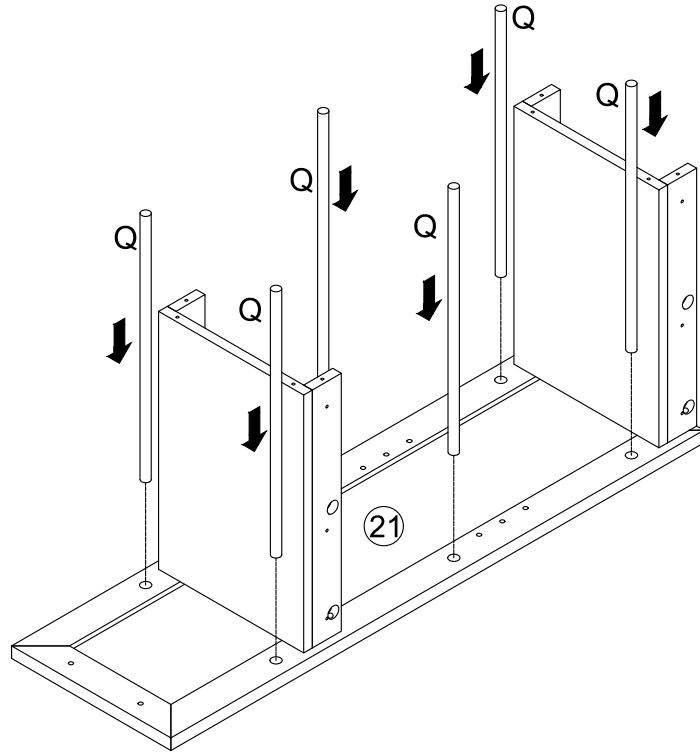
x2

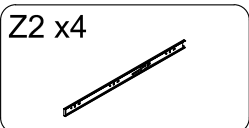
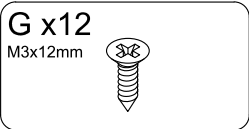
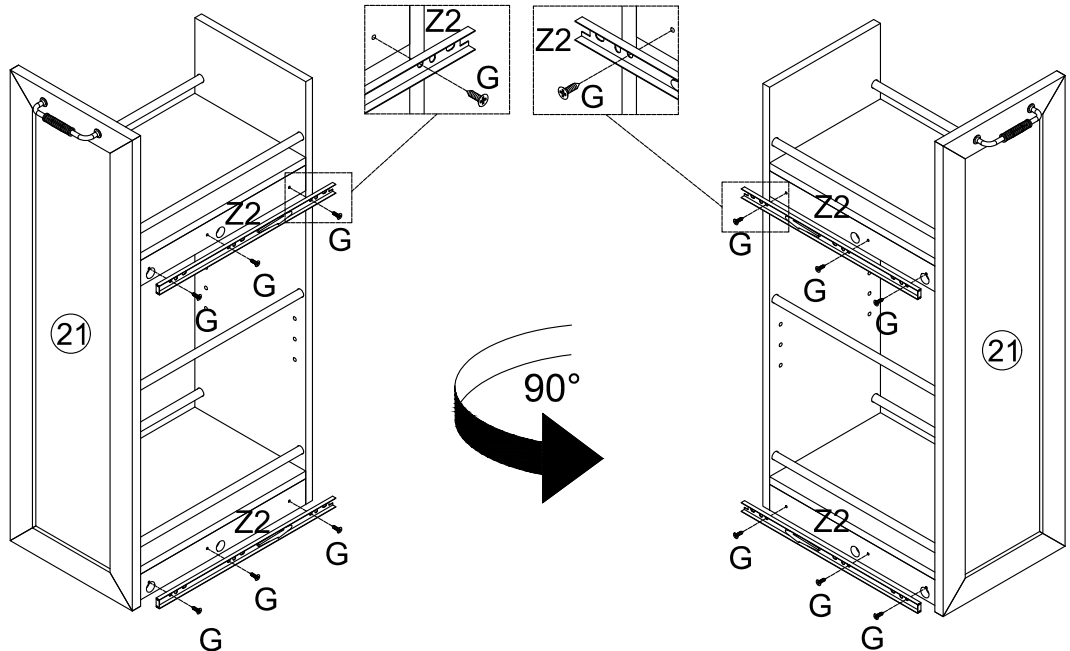
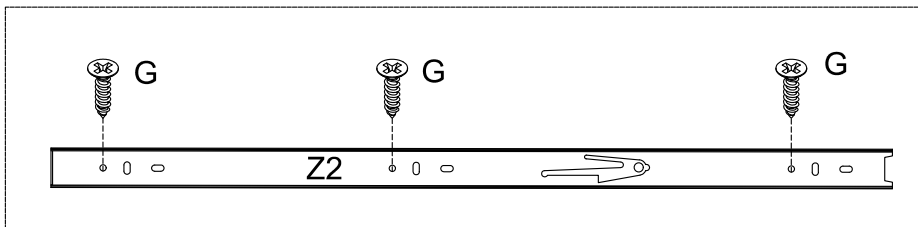
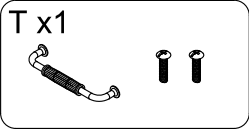
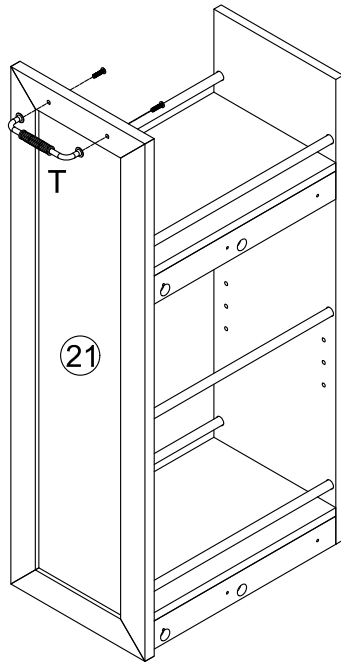


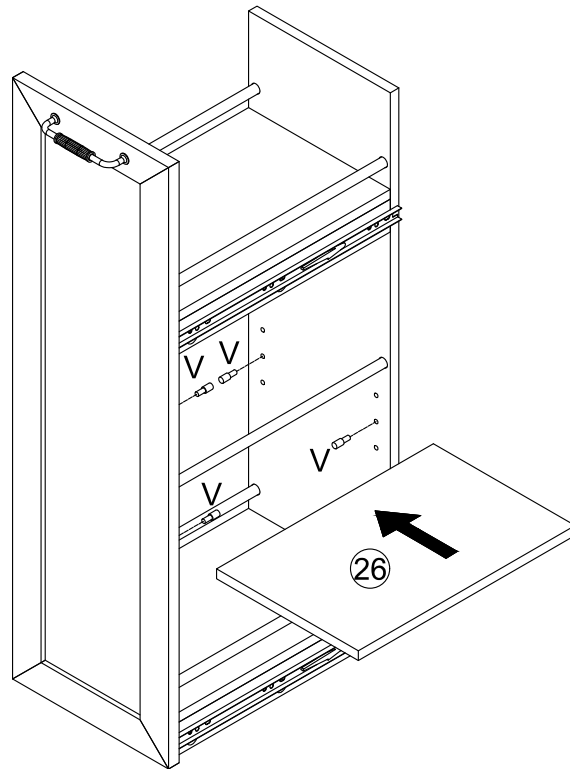
x2



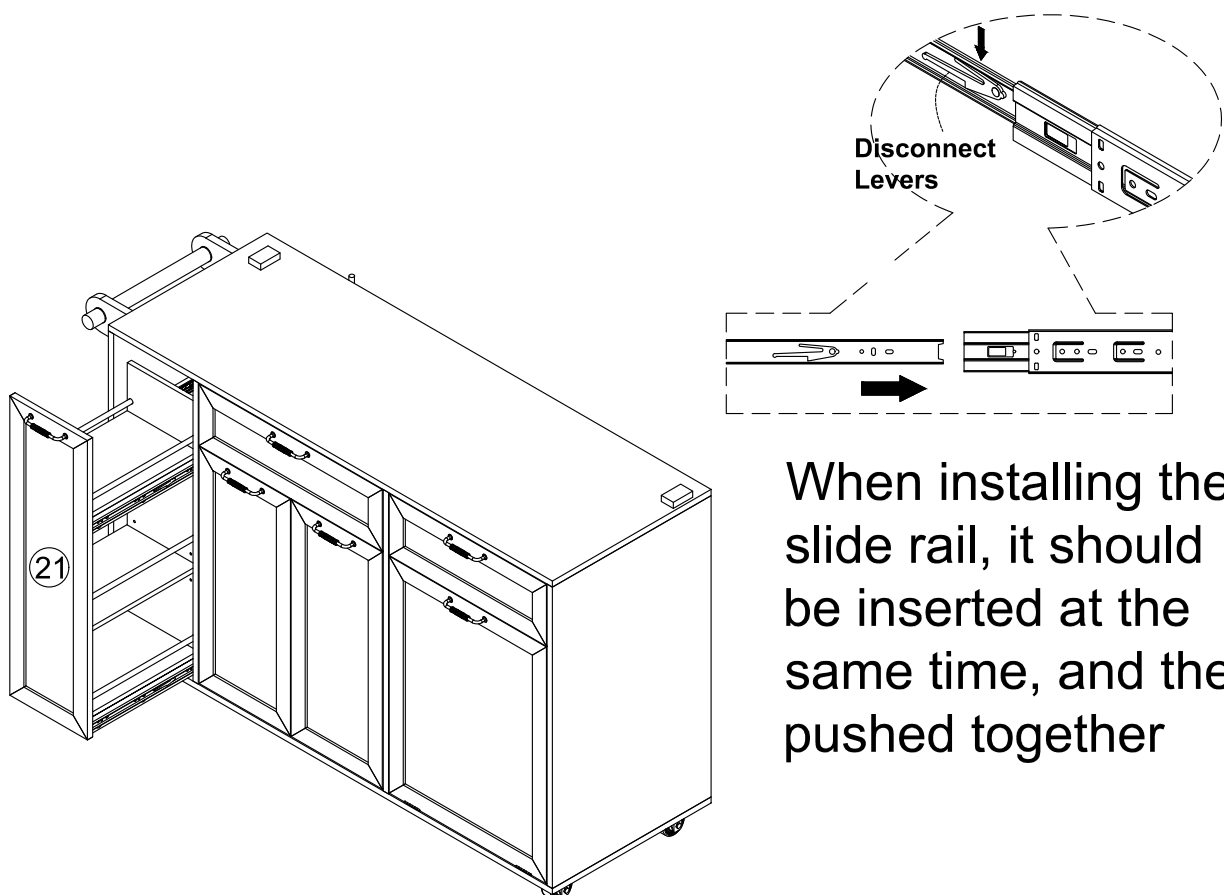




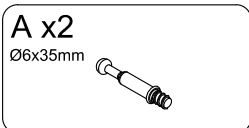
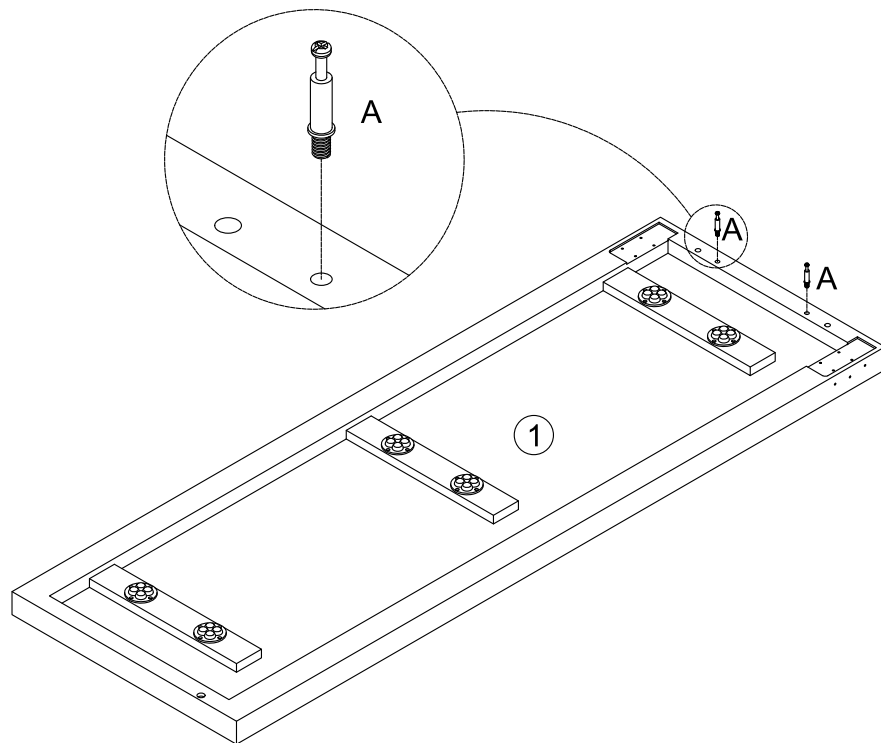
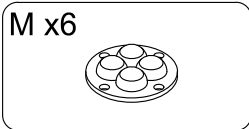
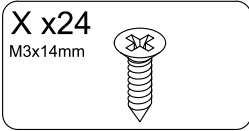
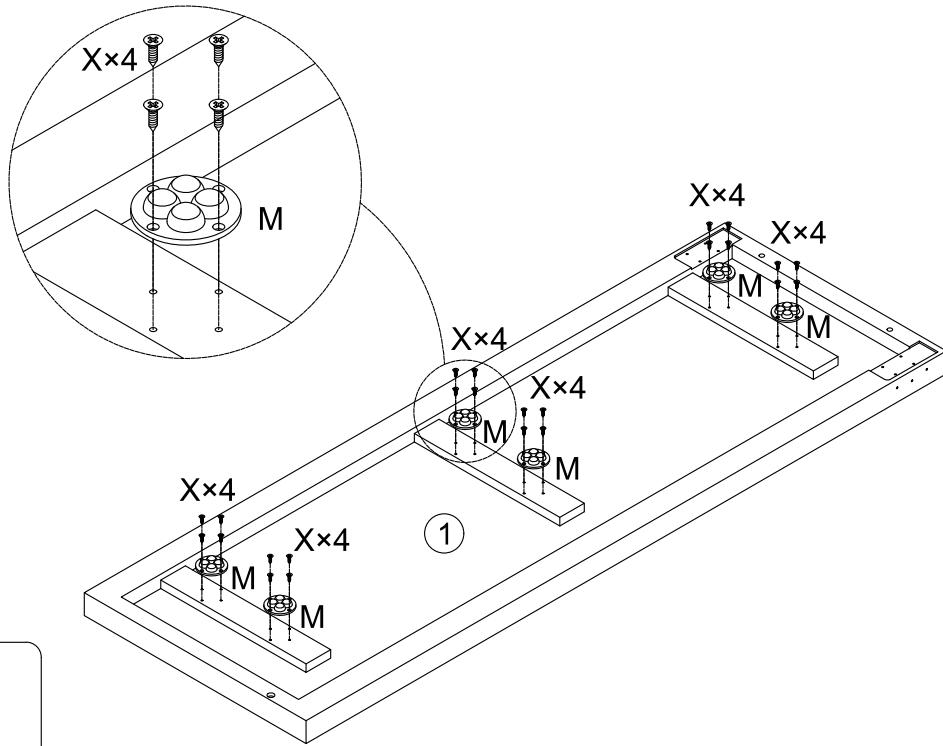


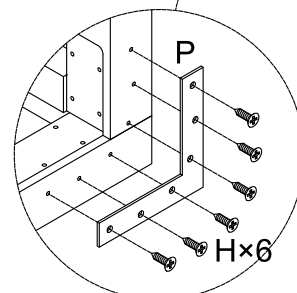
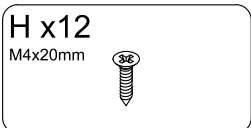
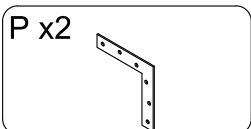
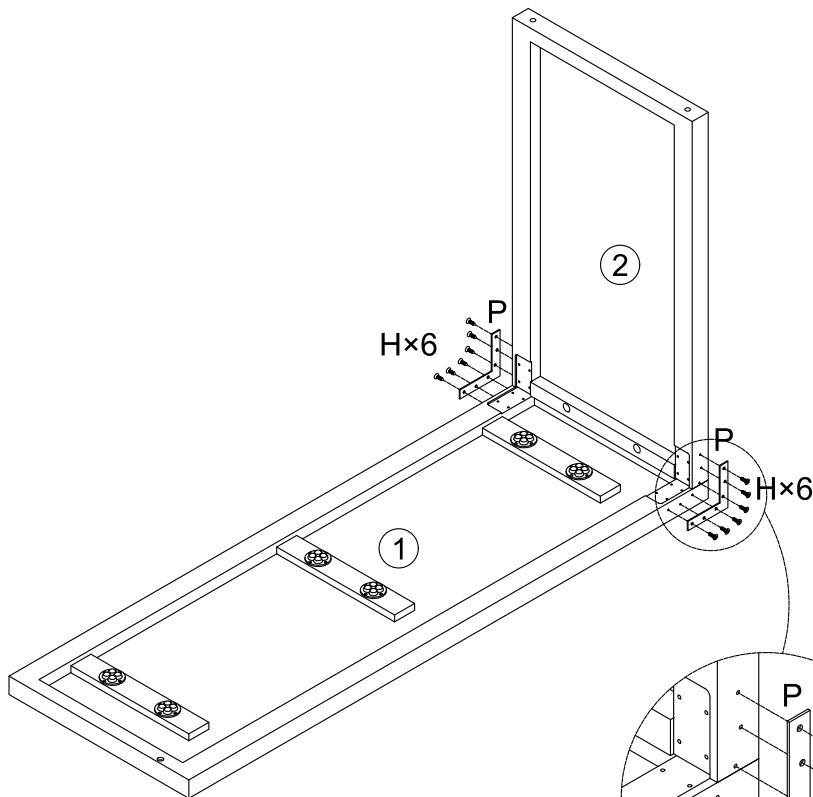
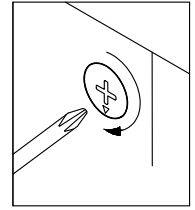
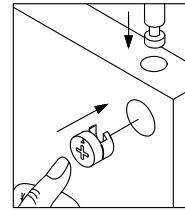
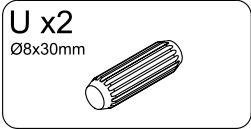
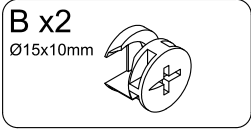
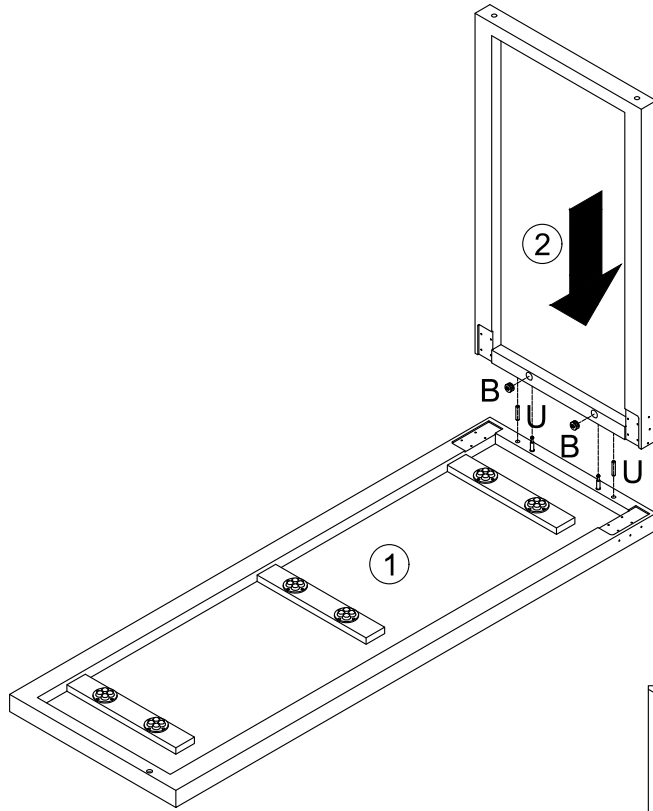


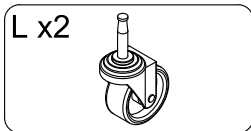
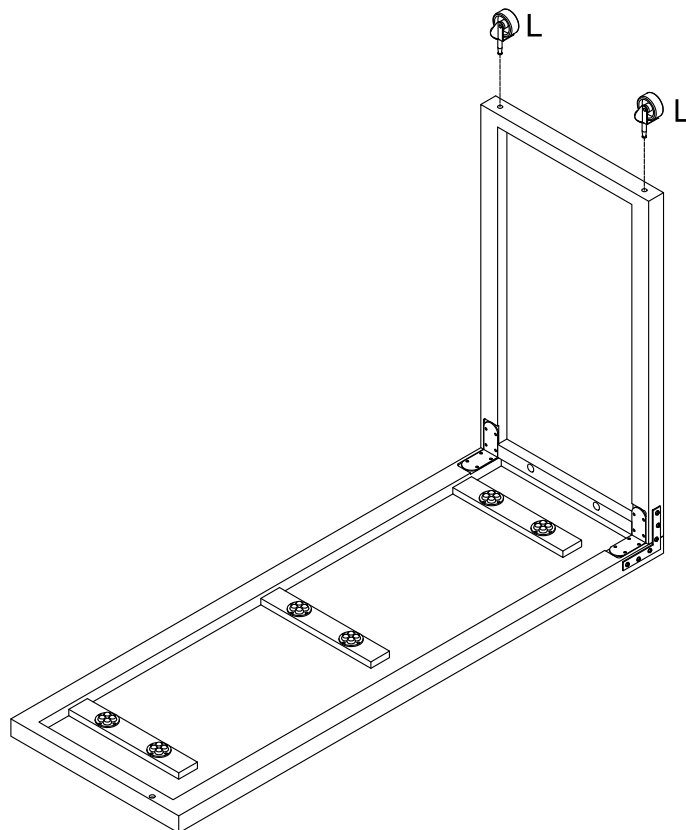
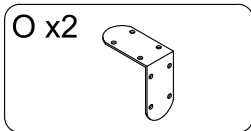
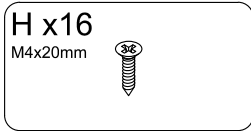
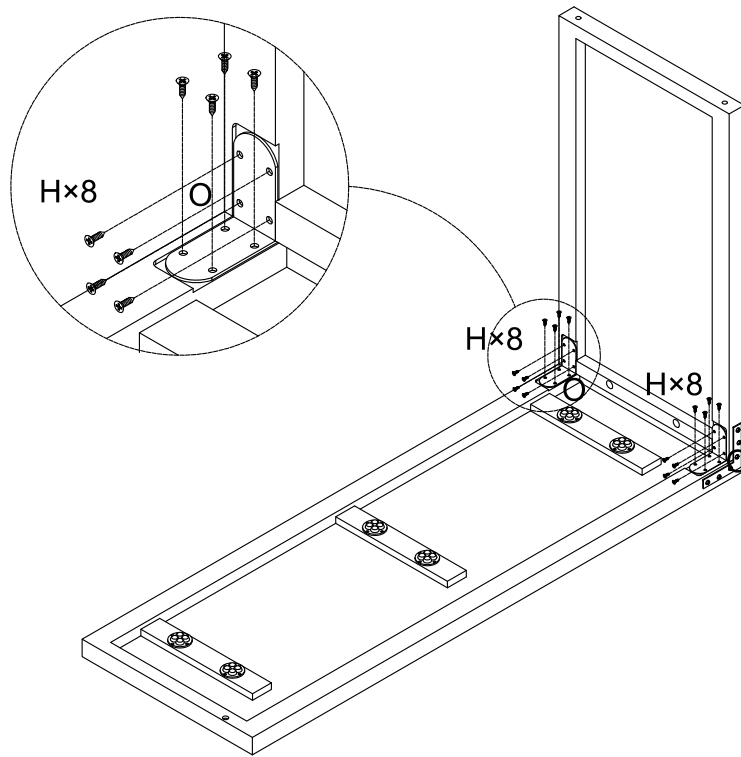
V x4

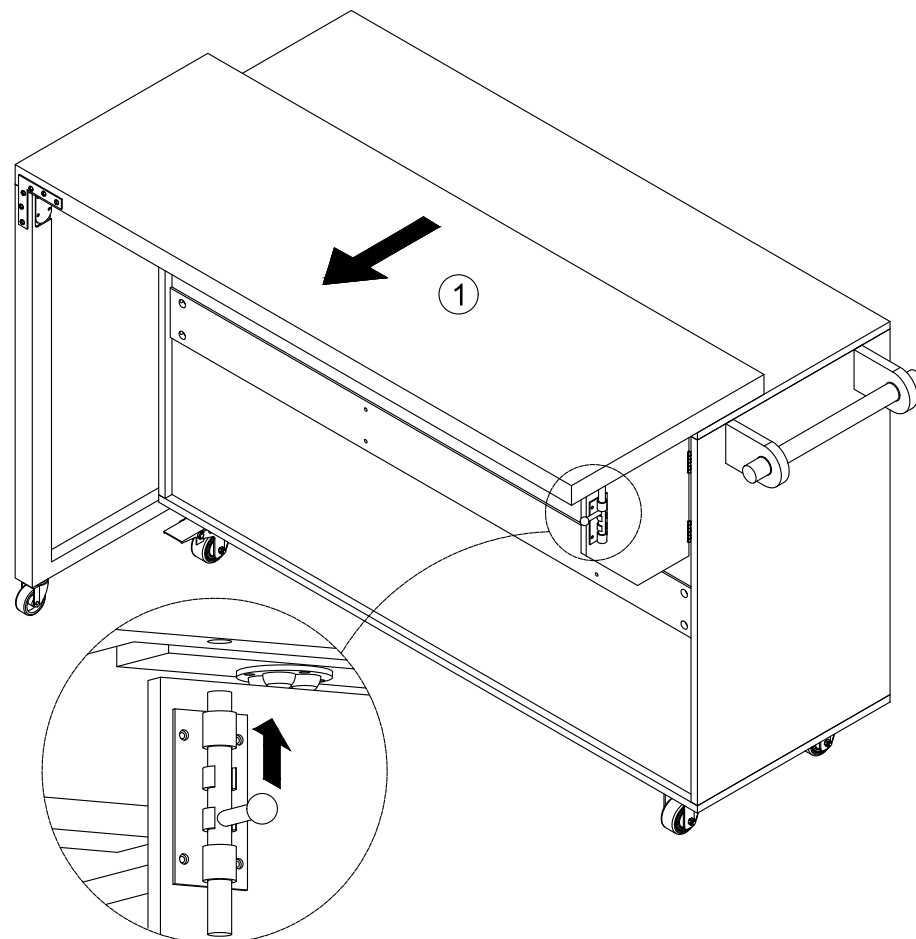
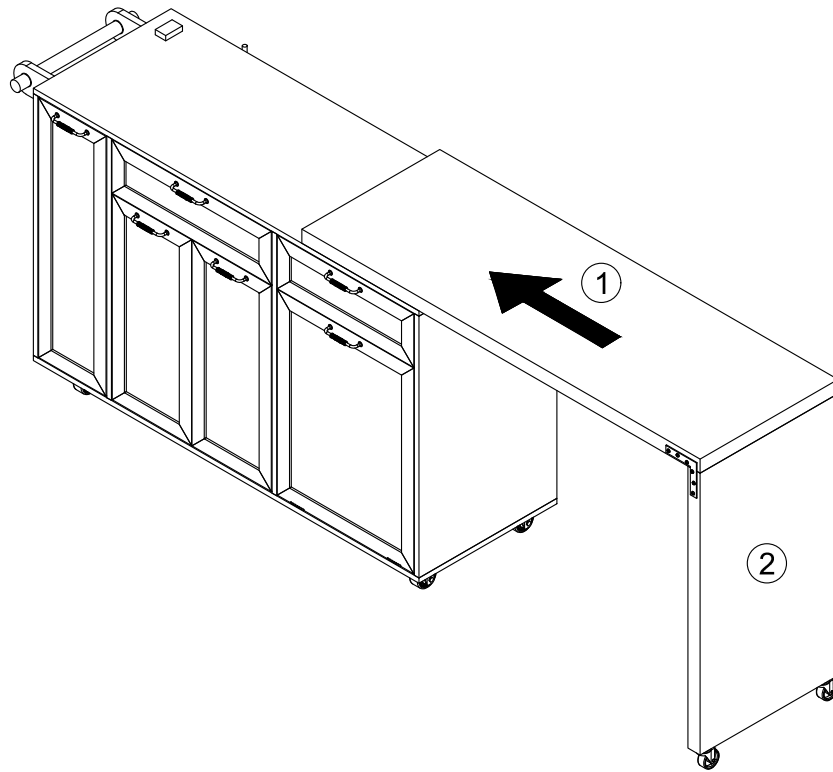


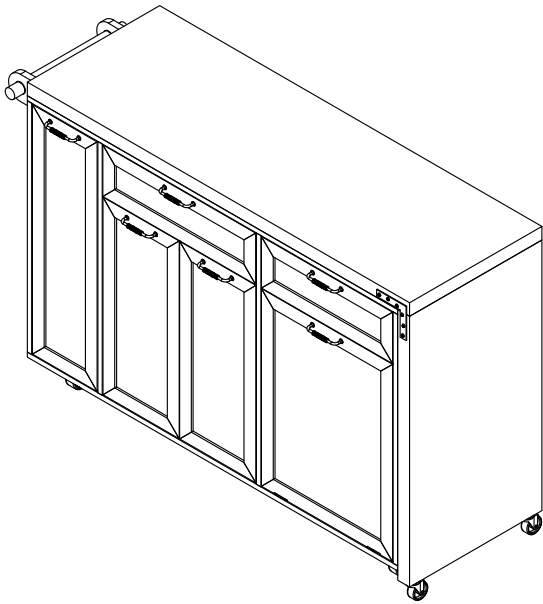
When installing the slide rail, it should be inserted at the same time, and then pushed together



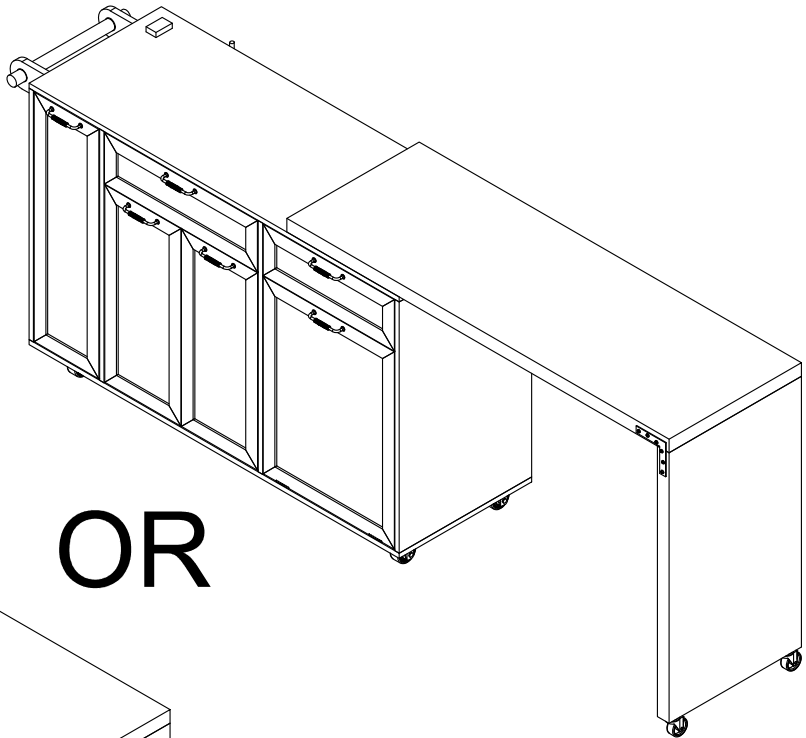




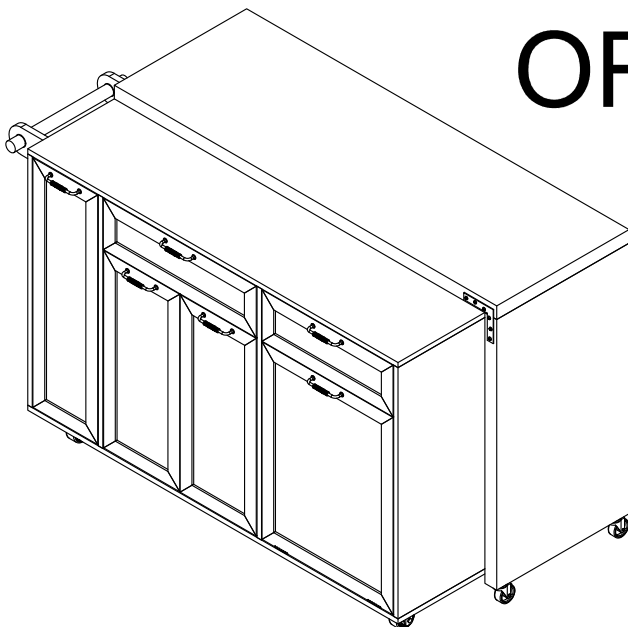




OR










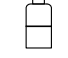









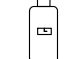




OR



Assembly Instructions

Caution : You must read this before you proceed

Care & Maintenance

-   ● Not for commercial use. For residential use only.
 -   ● Furniture may scratch floors. We recommend using furniture pads to protect your floors.
 -   ● Do not put hot items directly on furniture surface.
 -   ● Do not clean furniture with harsh cleansers or polish.
 -   ● Do not place furniture under direct sunlight.
 -   ● Do not place furniture near heating or cooling vents.
 -   ● Do not write on furniture without a padded barrier to protect the surface.
 -   ● Do not place furniture outside . For indoor use only.
 -   ● Stains may be removed with mild soap solution and damp cloth.
 -   ● Children should not climb or jump on the furniture.
-
-   ● Dust and pick-up spills using a clean, non-colored, lint-free cloth.